

US00D384692S

**United States Patent** [19]  
**Takenouchi**

[11] **Patent Number: Des. 384,692**  
[45] **Date of Patent: \*\*Oct. 7, 1997**

[54] **COPIER**  
[75] **Inventor: Masaaki Takenouchi, Yokohama, Japan**  
[73] **Assignee: Fuji Xerox Co., Ltd., Tokyo, Japan**  
[\*\*] **Term: 14 Years**

D. 339,152 9/1993 Hirose et al. .... D18/39  
D. 350,766 9/1994 Tomatsu et al. .... D18/39  
D. 354,077 1/1995 Hiroki et al. .... D18/39

*Primary Examiner—Caron D. Veynar*  
*Attorney, Agent, or Firm—Oliff & Berridge*

[21] **Appl. No.: 53,587**  
[22] **Filed: Apr. 24, 1996**

[57] **CLAIM**  
The ornamental design for a copier, as shown and described.

[30] **Foreign Application Priority Data**  
Oct. 31, 1995 [JP] Japan ..... 7-32638  
[51] **LOC (6) Cl. .... 16-03**  
[52] **U.S. Cl. .... D18/39**  
[58] **Field of Search .... D18/36-39; D14/107,**  
**D14/111, 114; 355/200, 210, 233, 234**

**DESCRIPTION**

FIG. 1 is a front view of a copier showing my new design;  
FIG. 2 is a rear view of the copier of FIG. 1;  
FIG. 3 is a right side view of the copier;  
FIG. 4 is a left side view of the copier;  
FIG. 5 is a top plan view of the copier of FIG. 1; and,  
FIG. 6 is a bottom view of the copier of FIG. 1.

[56] **References Cited**  
**U.S. PATENT DOCUMENTS**  
D. 328,756 8/1992 Katada et al. .... D18/39 X

**1 Claim, 6 Drawing Sheets**

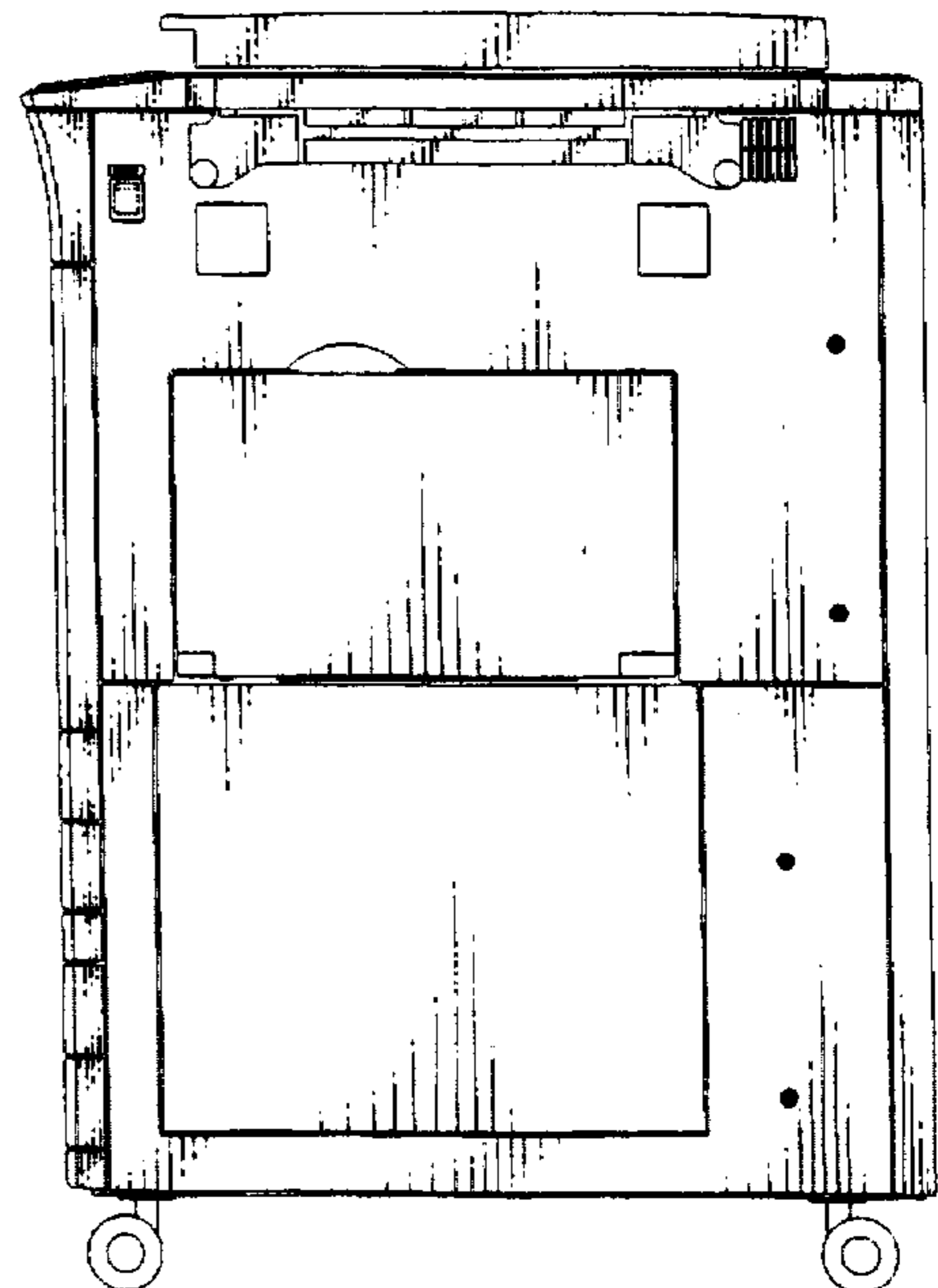
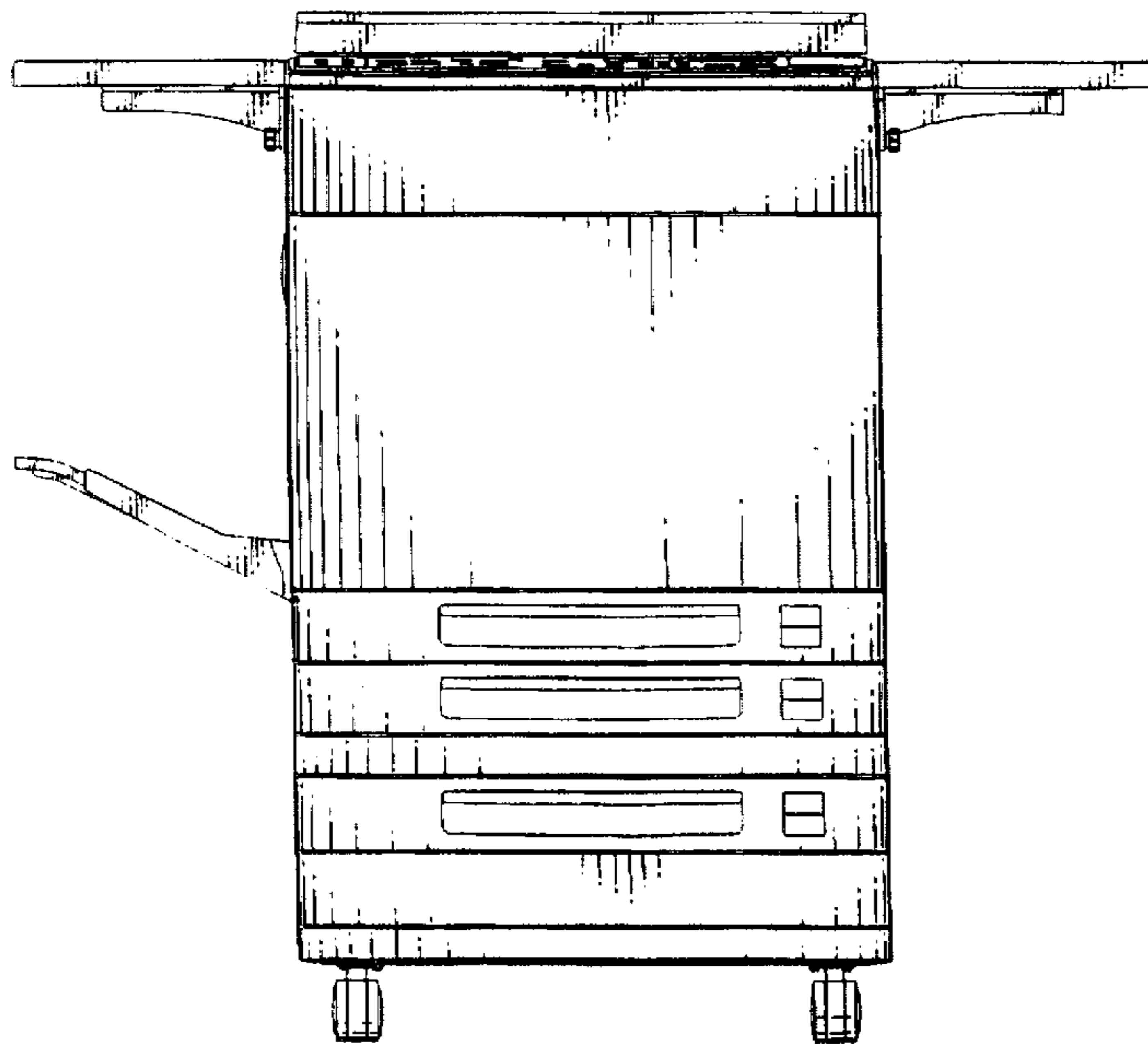


FIG. 1

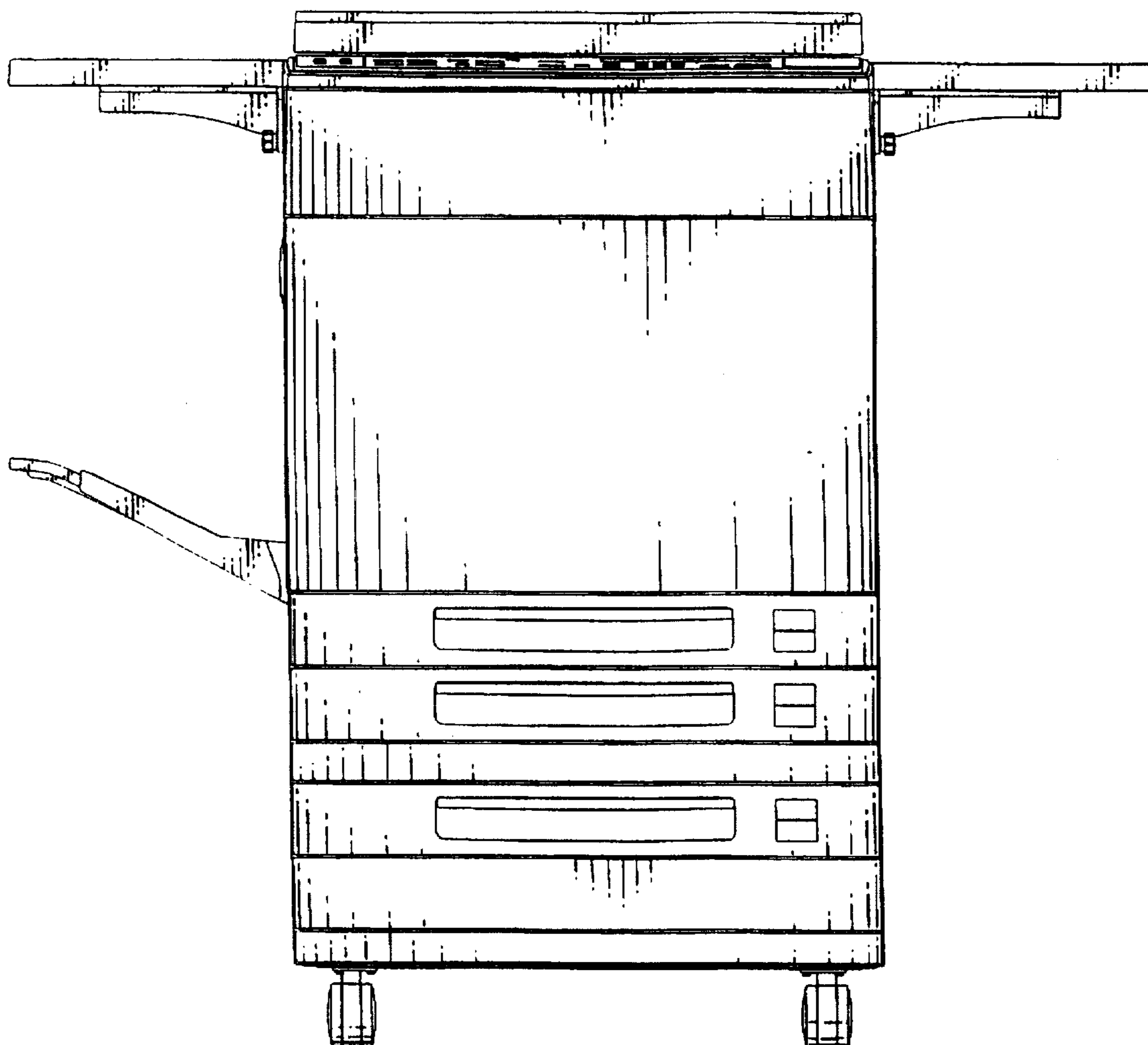


FIG. 2

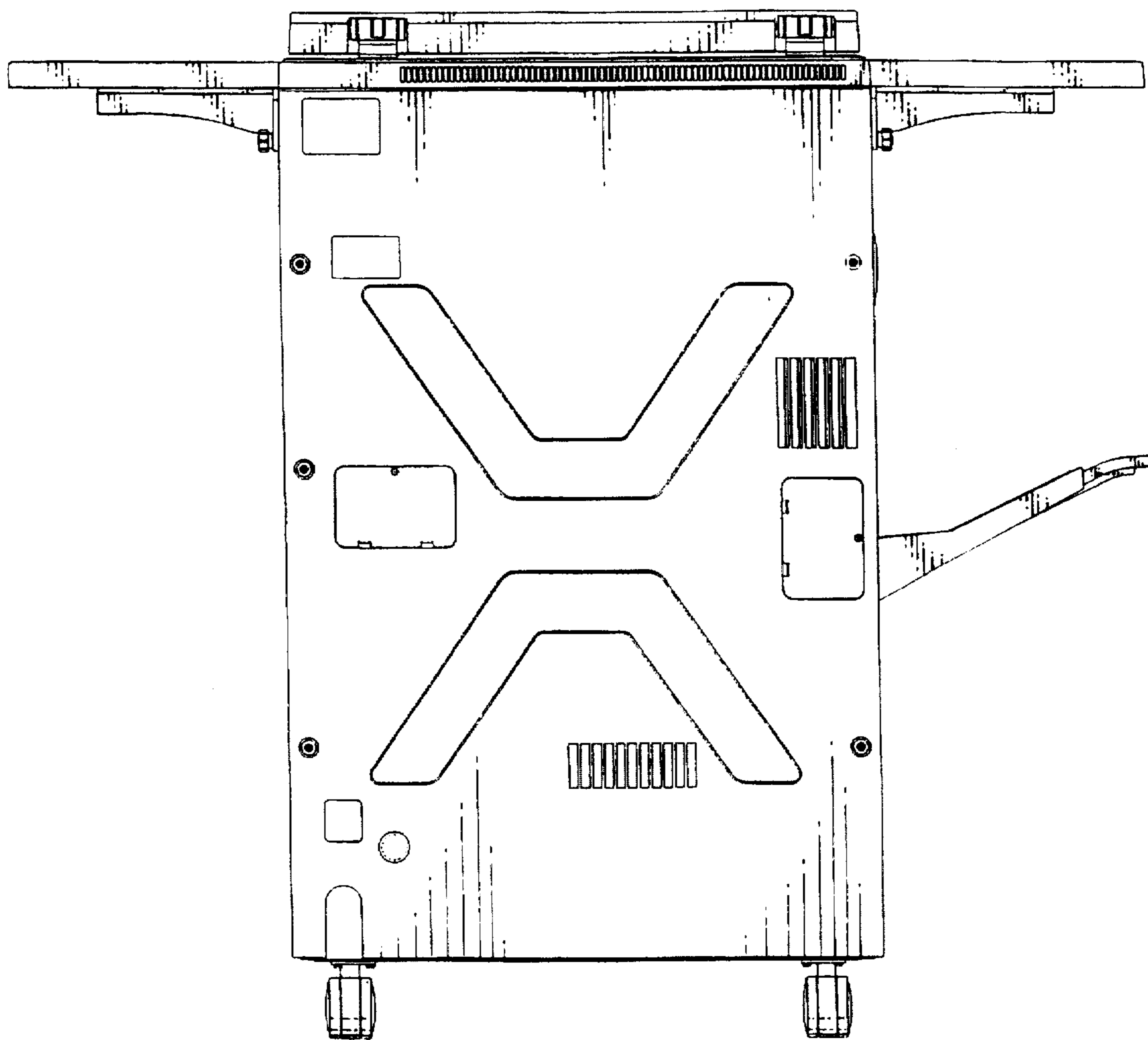


FIG. 3

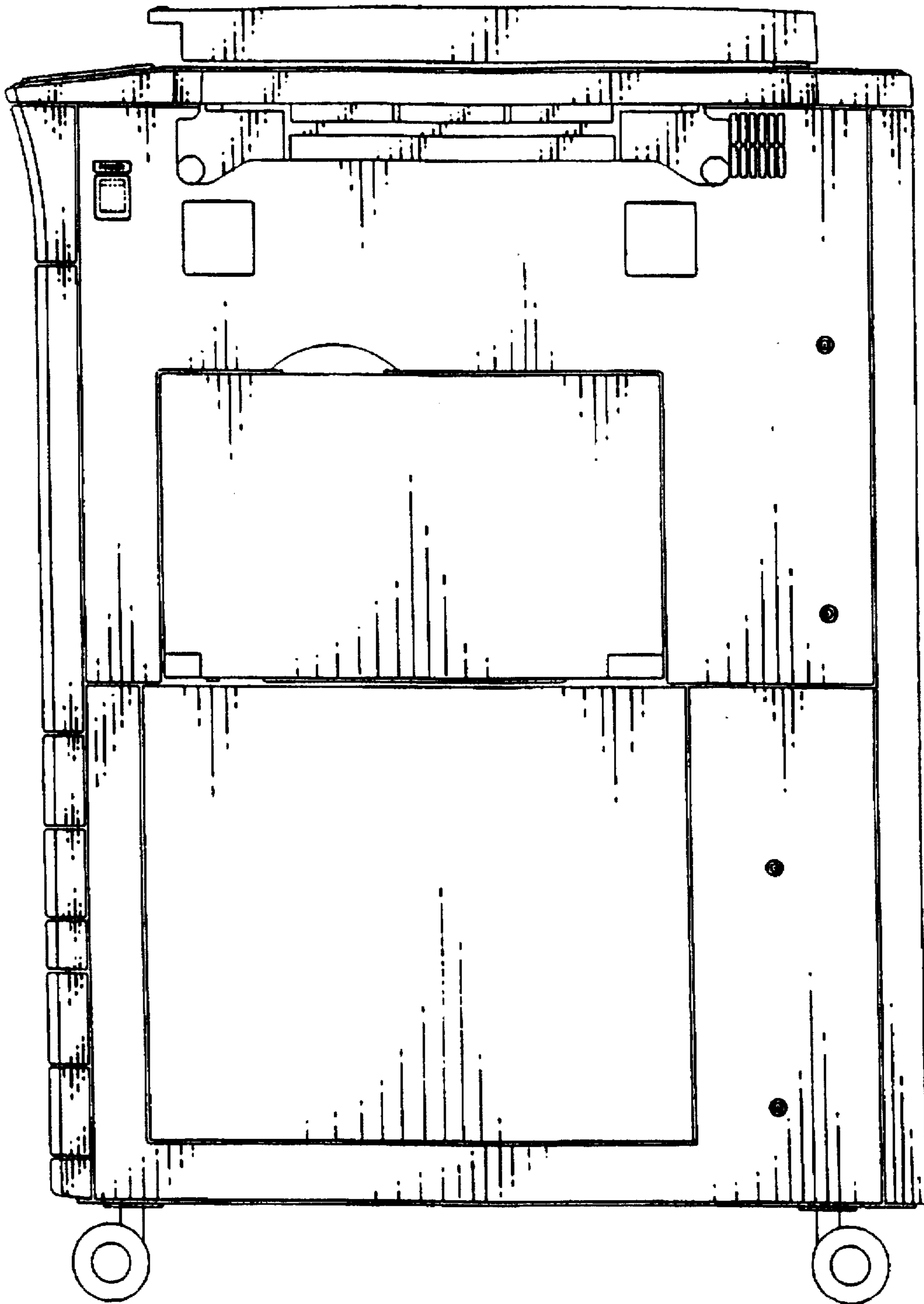


FIG. 4

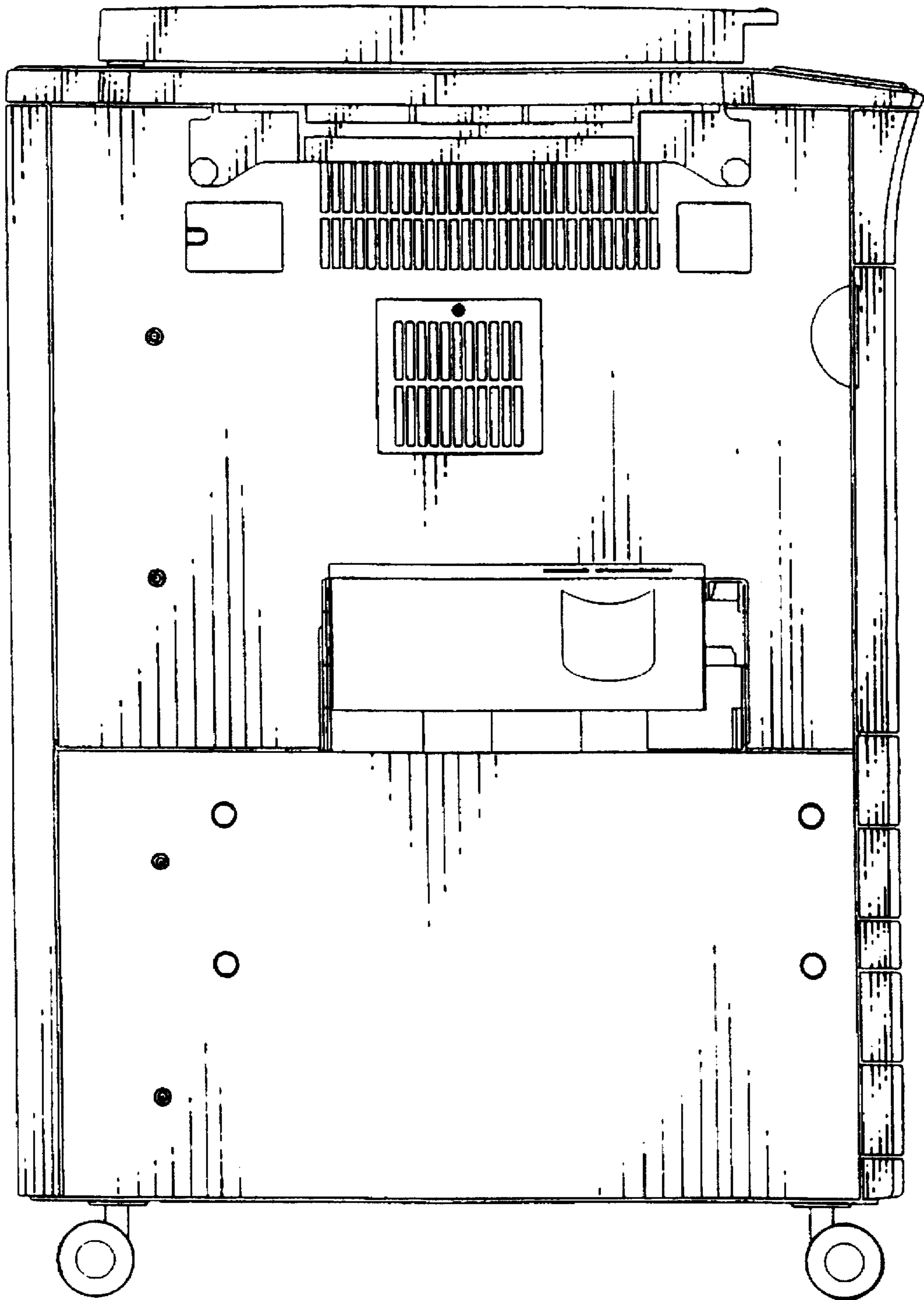


FIG. 5

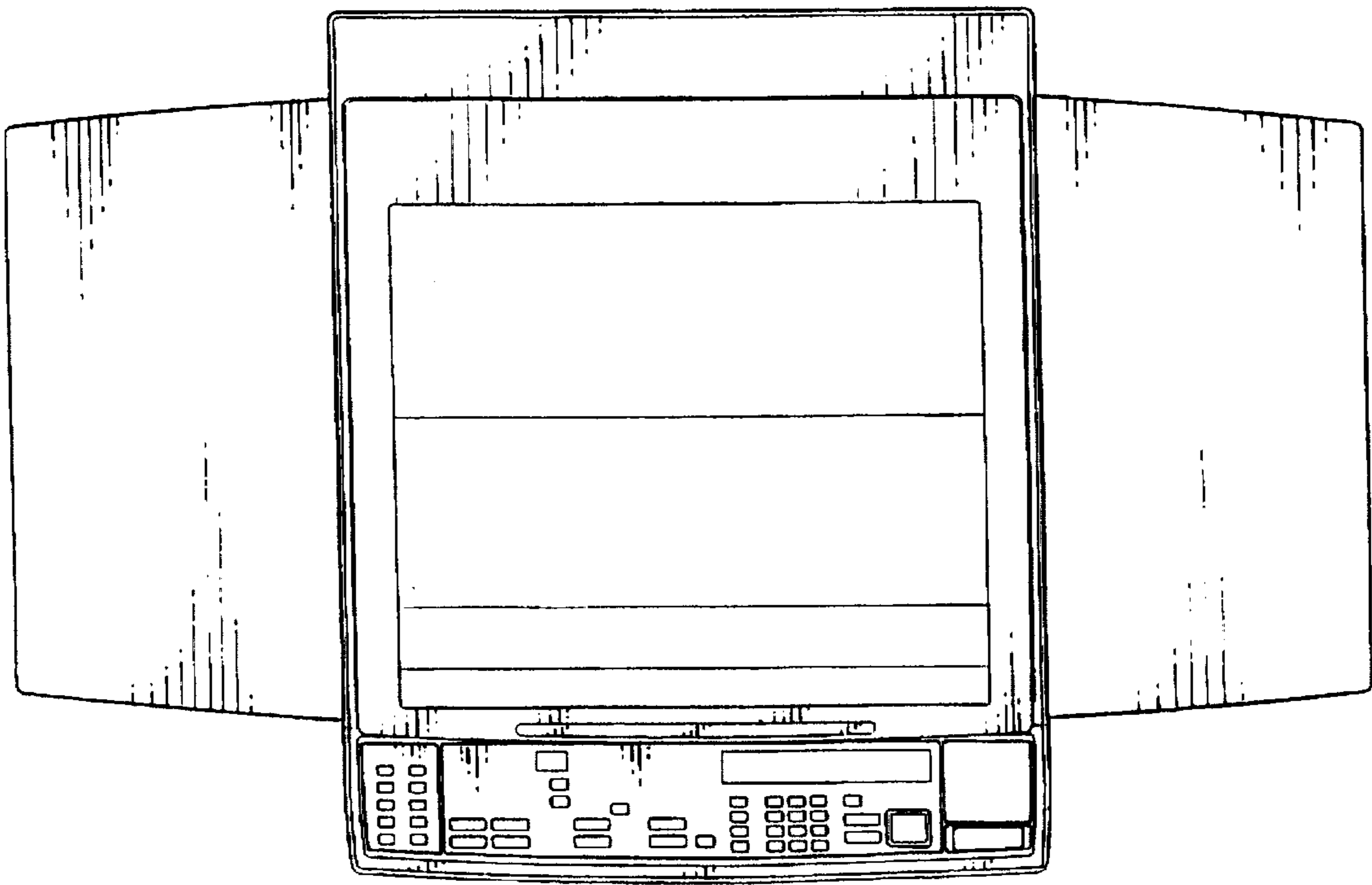


FIG. 6

