

US00D384685S

**United States Patent** [19]  
**Martinant de Preneuf**

[11] **Patent Number: Des. 384,685**  
[45] **Date of Patent: \*\*Oct. 7, 1997**

[54] **FRONT PART OF SUNGLASSES**  
[76] **Inventor: Jean Martinant de Preneuf, 16 rue Dupetit-Thouars, Paris, France, 75003**  
[\*\*] **Term: 14 Years**  
[21] **Appl. No.: 60,558**  
[22] **Filed: Oct. 1, 1996**  
[51] **LOC (6) Cl. .... 16-06**  
[52] **U.S. Cl. .... D16/314**  
[58] **Field of Search .... D16/300, 101, D16/302, 306, 311-316, 319-330; 351/41, 44, 51, 52, 158; 2/429, 430, 436, 447, 448**

D. 307,338 4/1990 Vandeputte ..... D16/313  
D. 308,691 6/1990 Myers ..... D16/325  
D. 337,596 7/1993 Canavan ..... D16/101  
D. 344,742 3/1994 Jannard ..... D16/314  
3,233,250 2/1966 Jonassen ..... 351/44

*Primary Examiner*—Raphael Barkai

[57] **CLAIM**

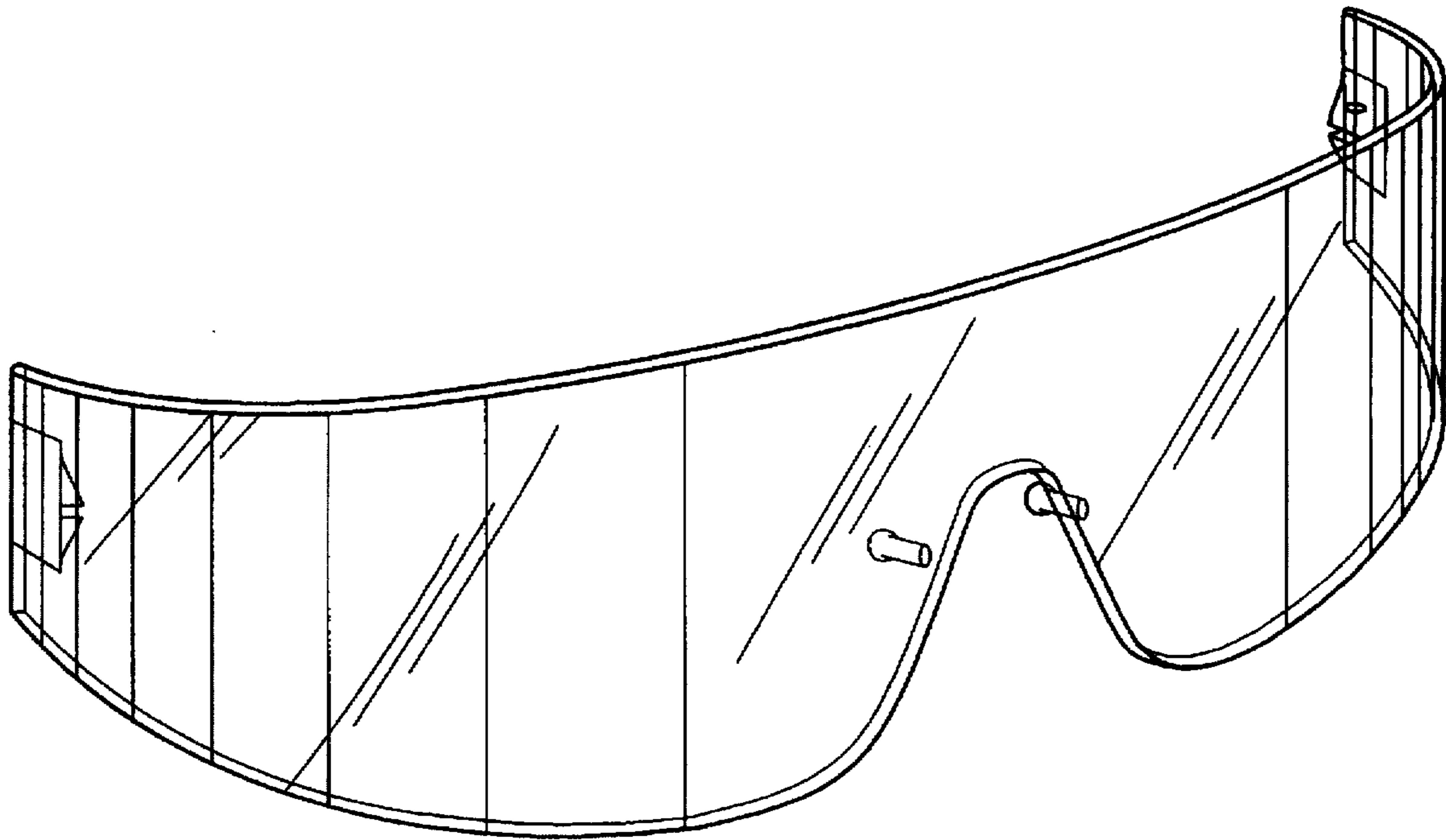
The ornamental design for a front part of sunglasses, as shown and described.

**DESCRIPTION**

FIG. 1 is a front view of the front part of sunglasses, showing a new design;  
FIG. 2 is a top plan view thereof;  
FIG. 3 is a view thereof; taken from one side;  
FIG. 4 is a view thereof; taken from the other side;  
FIG. 5 is a perspective view thereof;  
FIG. 6 is a rear view thereof; and,  
FIG. 7 is a bottom view thereof.

[56] **References Cited**  
**U.S. PATENT DOCUMENTS**  
D. 194,556 2/1963 Ranck ..... D16/325  
D. 206,625 1/1967 Hoffman ..... D16/313  
D. 230,437 2/1974 Rabuse ..... D16/101  
D. 285,020 8/1986 Schmidthaler ..... D16/313  
D. 306,867 3/1990 Leger ..... D16/306

**1 Claim, 3 Drawing Sheets**



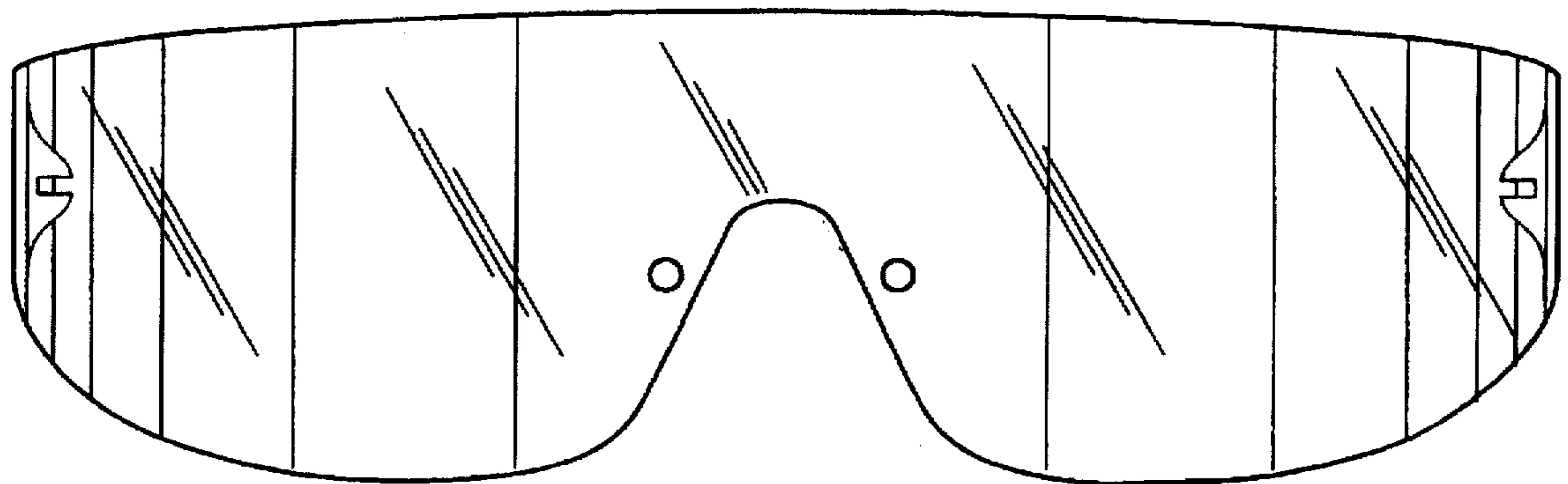


FIG. 1

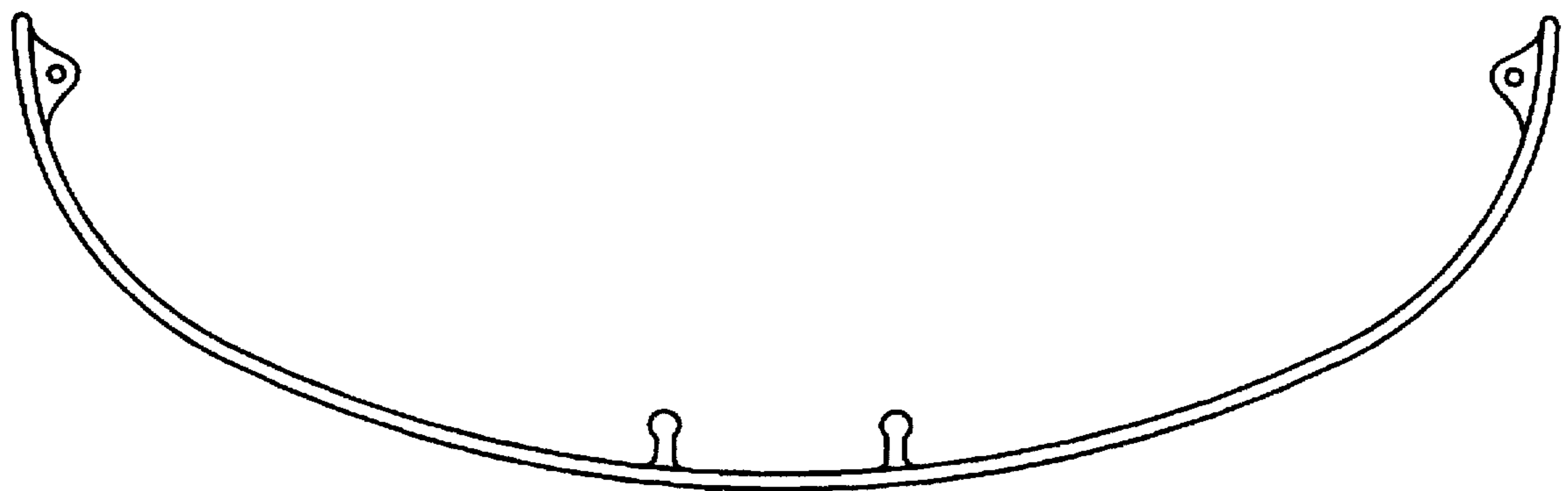


FIG. 2

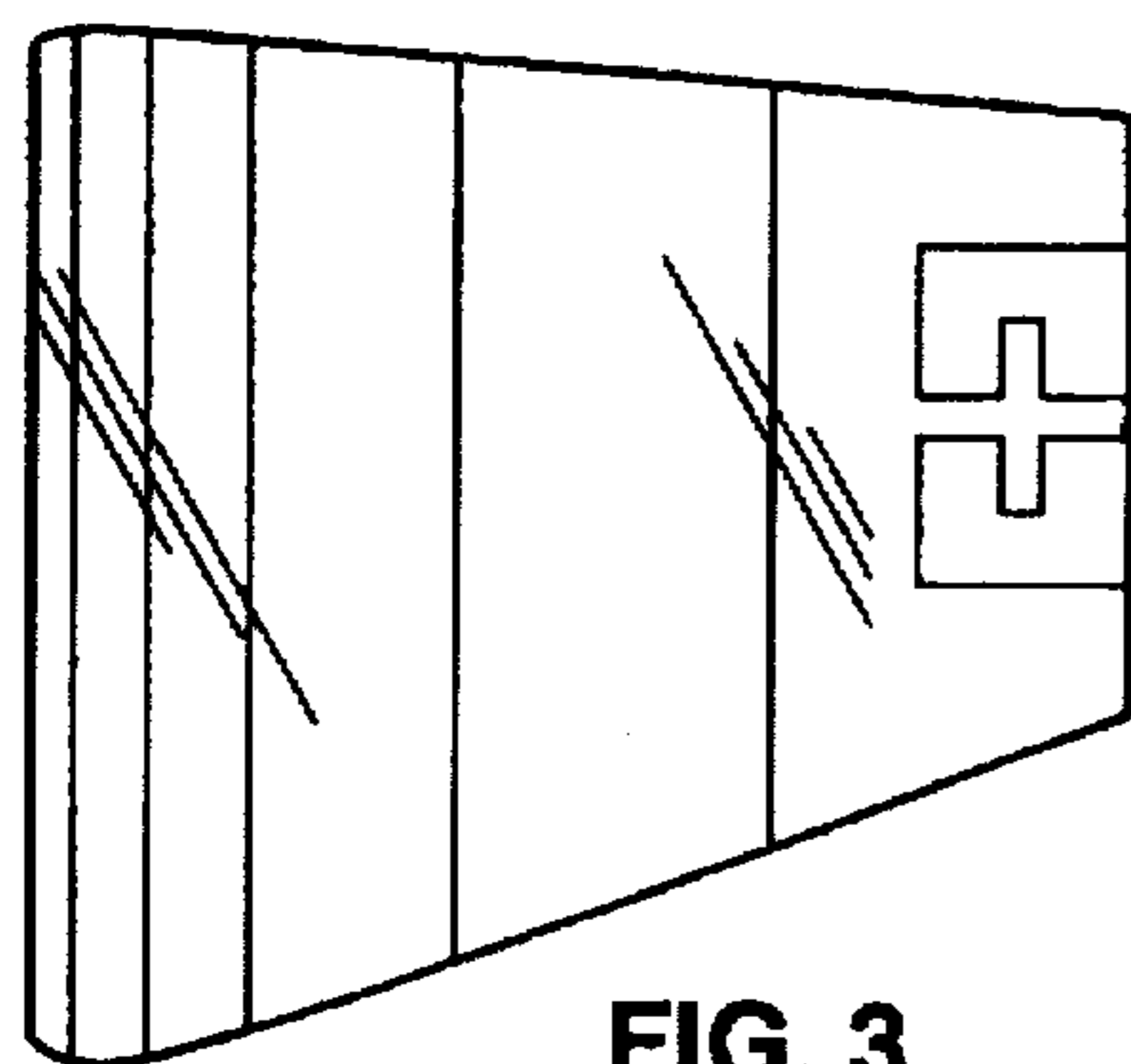


FIG. 3

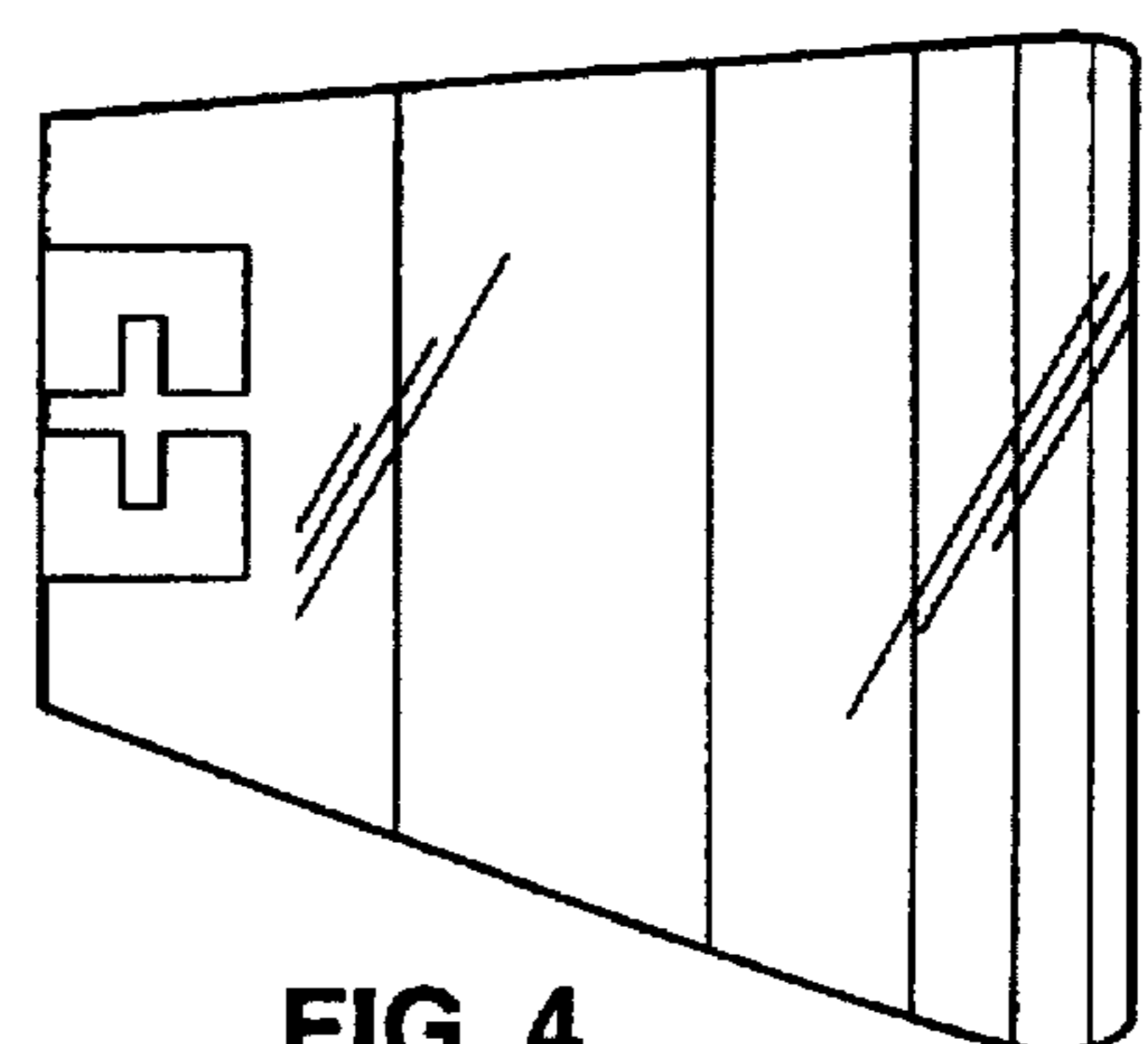


FIG. 4

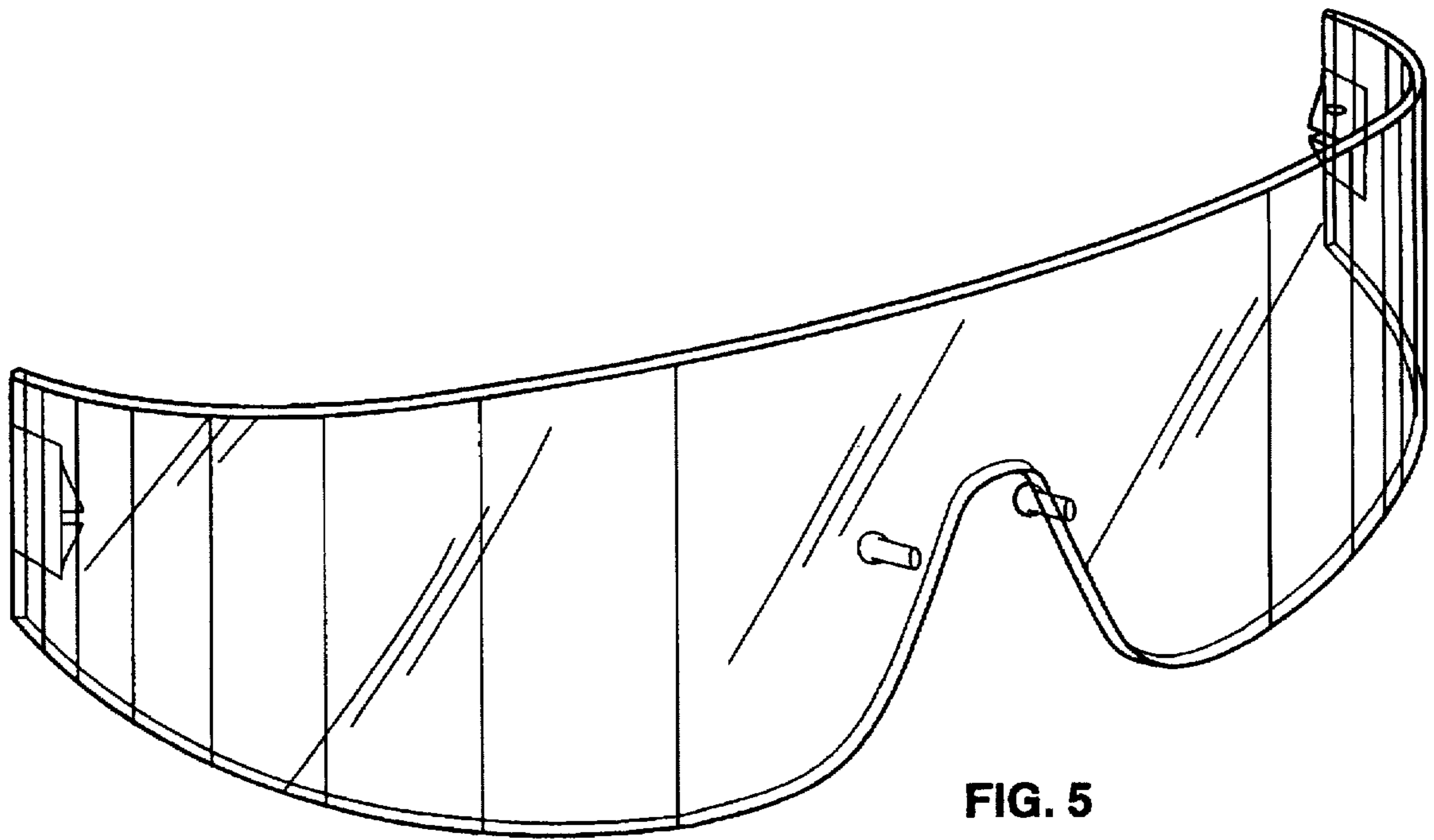


FIG. 5

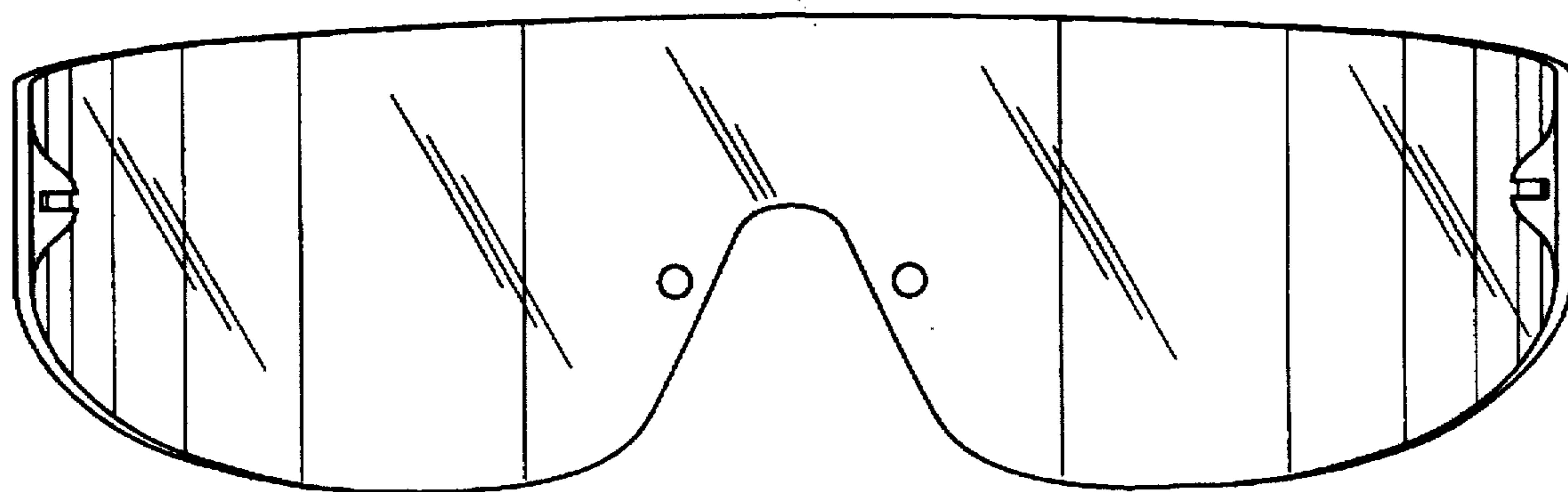


FIG. 6

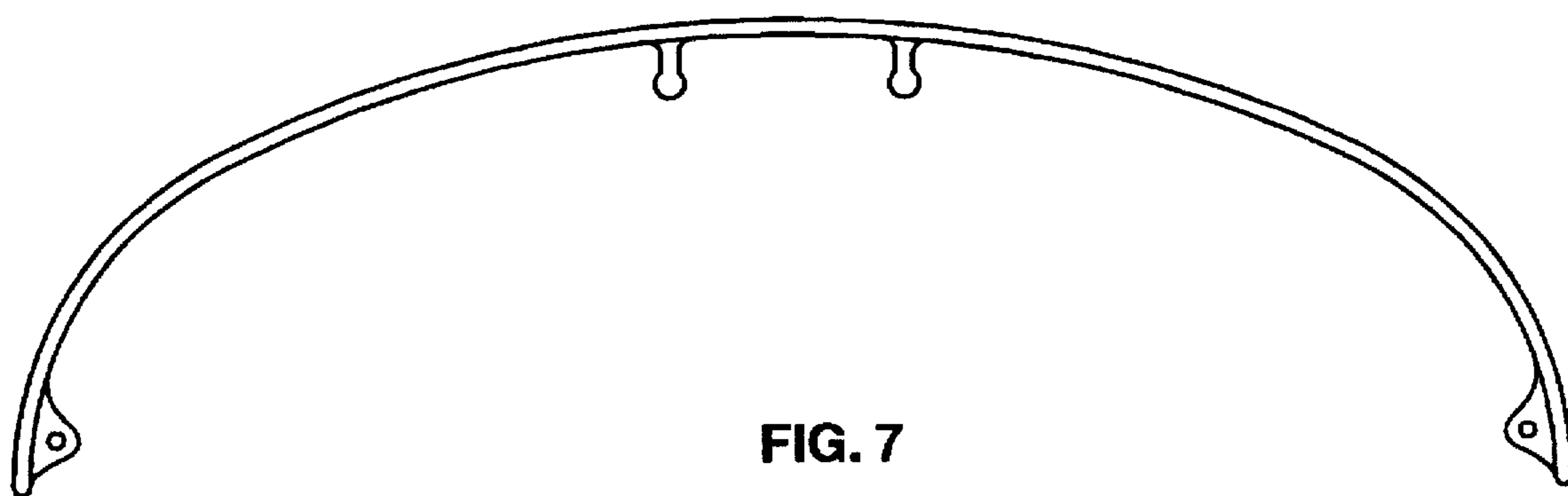


FIG. 7