



US00D384684S

**United States Patent** [19]  
**Hamamura**

[11] **Patent Number:** **Des. 384,684**  
[45] **Date of Patent:** **\*\*Oct. 7, 1997**

[54] **CAMERA**

[75] **Inventor:** **Toshihiro Hamamura**, Tokyo, Japan

[73] **Assignee:** **Asahi Kogaku Kogyo Kabushiki Kaisha**, Tokyo, Japan

[\*\*] **Term:** **14 Years**

[21] **Appl. No.:** **58,637**

[22] **Filed:** **Aug. 13, 1996**

[30] **Foreign Application Priority Data**

Feb. 14, 1996 [JP] Japan ..... 8-3596

[51] **LOC (6) Cl.** ..... **16-01**

[52] **U.S. Cl.** ..... **D16/209; D16/212**

[58] **Field of Search** ..... **D16/200-204, D16/208, 209, 211-213, 216-218; 396/195, 176, 177, 178, 448, 535-543**

[56] **References Cited**

**U.S. PATENT DOCUMENTS**

D. 323,336	1/1992	Moro et al.	.....	D16/209
D. 365,355	12/1995	Horikiri et al.	.....	D16/209
D. 369,372	4/1996	Ishikawa et al.	.....	D16/218
D. 374,449	10/1996	Fukushima et al.	.....	D16/200
4,556,304	12/1985	Fukuda	.....	396/448

**OTHER PUBLICATIONS**

Popular Photography, Sep. 1988 p. 33.

*Primary Examiner*—Ted Shooman

*Assistant Examiner*—Adir Aronovich

*Attorney, Agent, or Firm*—Sughrue, Mion, Zinn, Macpeak & Seas

[57] **CLAIM**

The ornamental design for a camera, as shown and described.

**DESCRIPTION**

FIG. 1 is a perspective view of the top, front and right side of a camera showing my new design;  
 FIG. 2 is a front elevational view thereof;  
 FIG. 3 is a top plan view thereof;  
 FIG. 4 is a left side elevational view thereof;  
 FIG. 5 is a right side elevational view thereof;  
 FIG. 6 is a rear elevational view thereof;  
 FIG. 7 is a bottom plan view thereof;  
 FIG. 8 is a view similar to FIG. 1 with the lens cover open and the lens partially extended;  
 FIG. 9 is a view similar to FIG. 8 with the lens fully extended; and,  
 FIG. 10 is a view similar to FIG. 6 with the lens cover open.

**1 Claim, 5 Drawing Sheets**

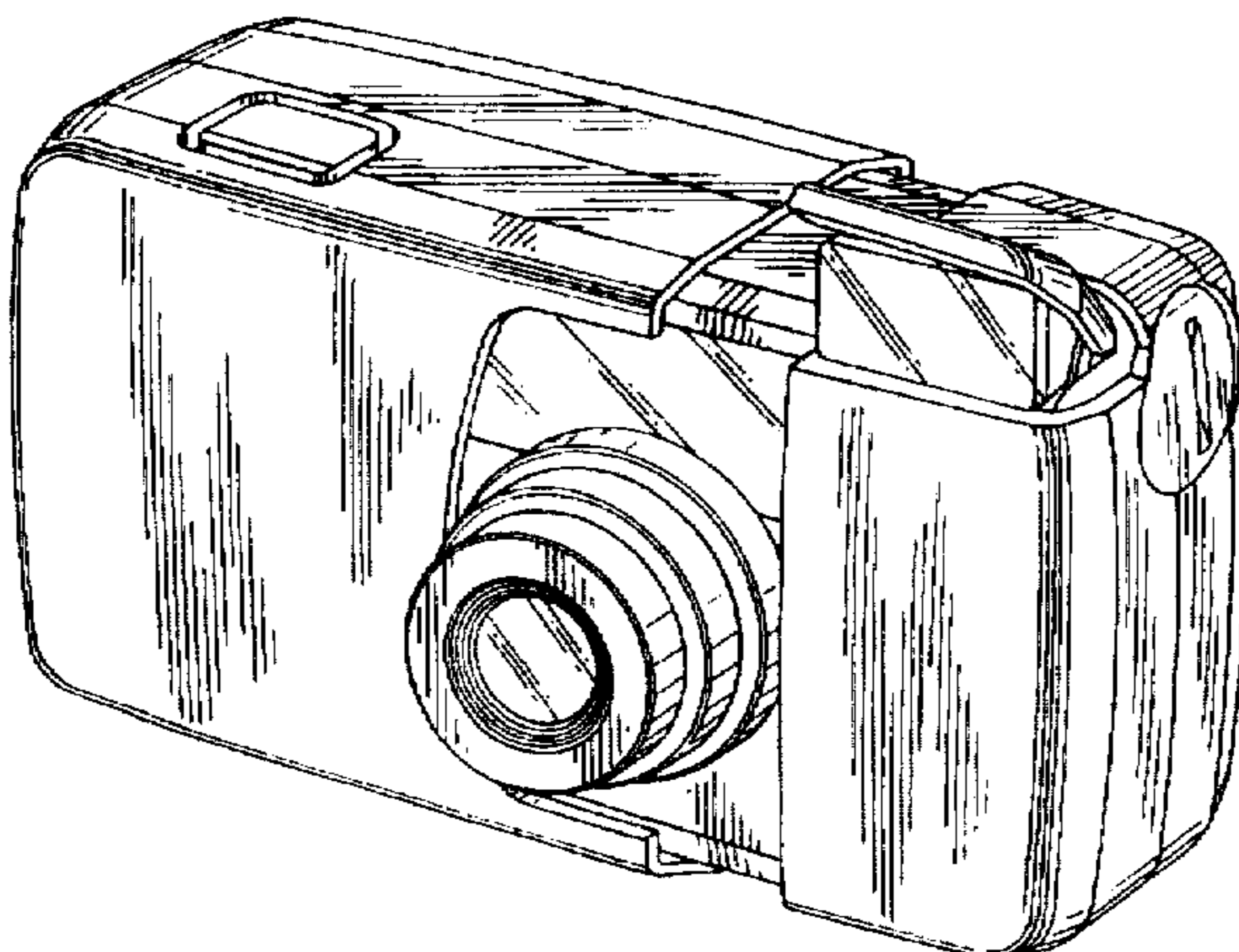
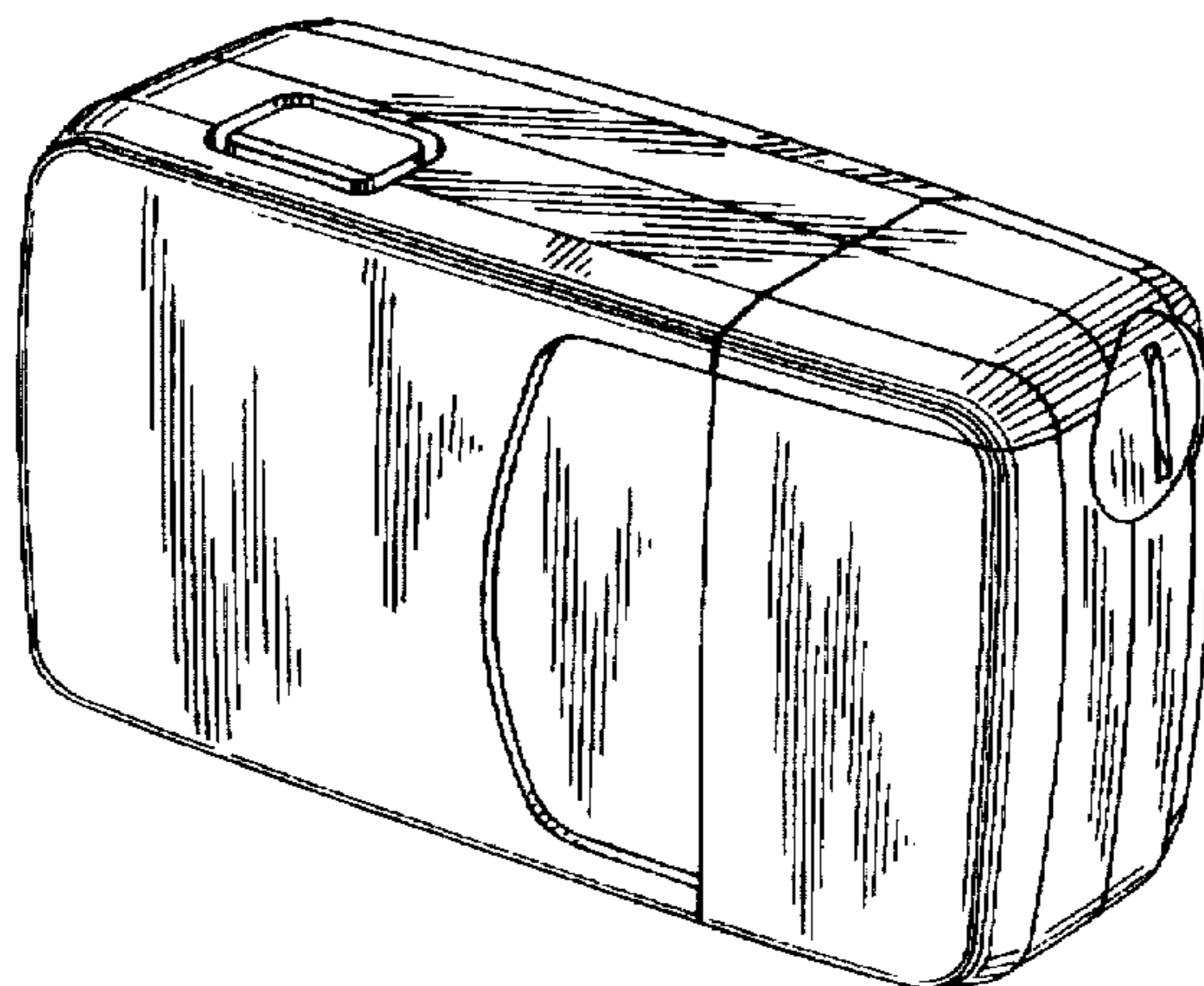


FIG. 1

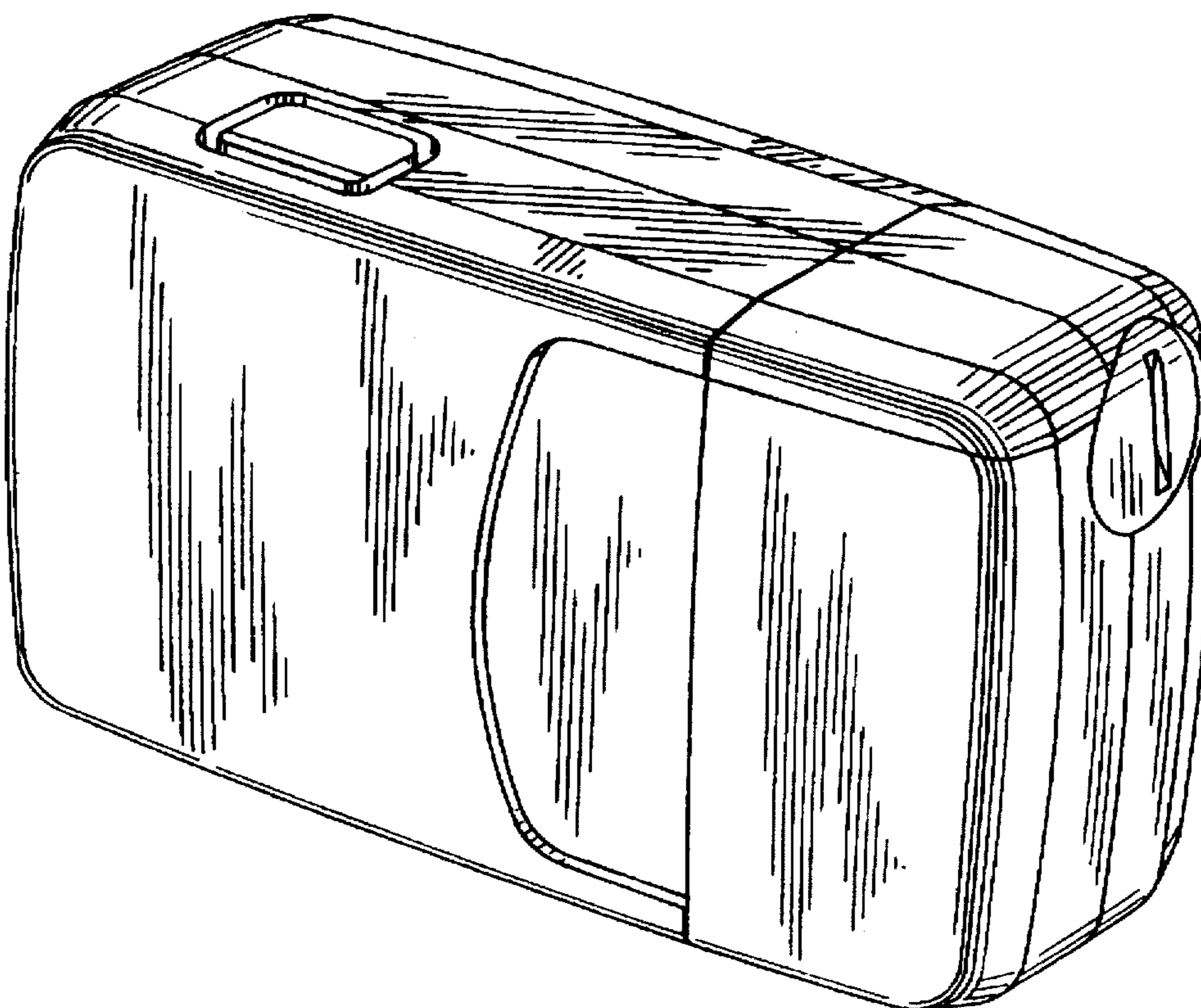
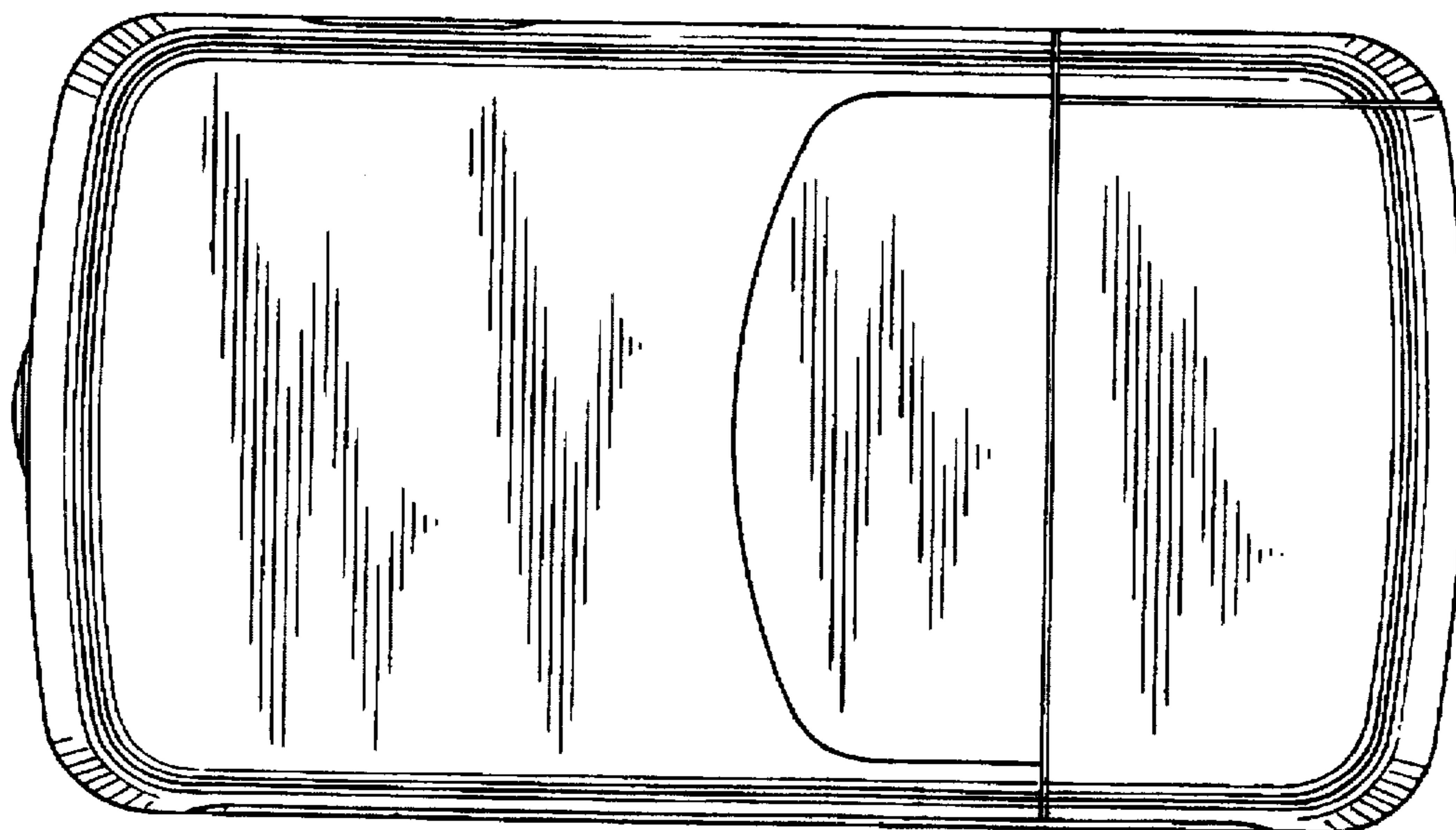
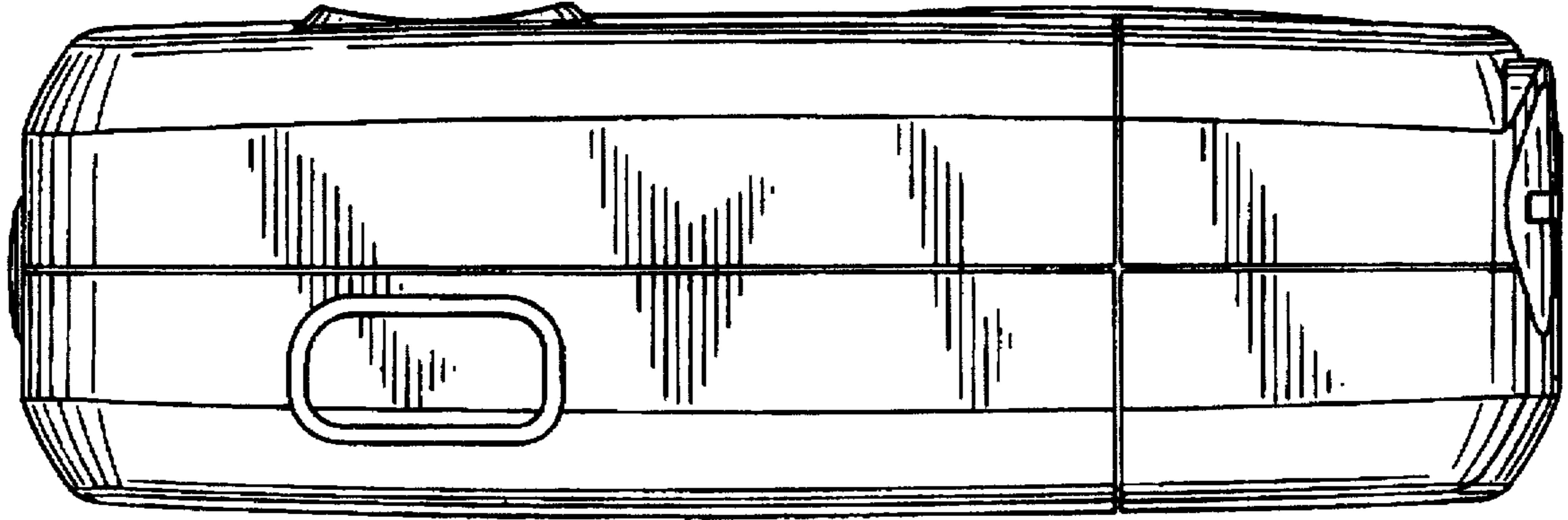


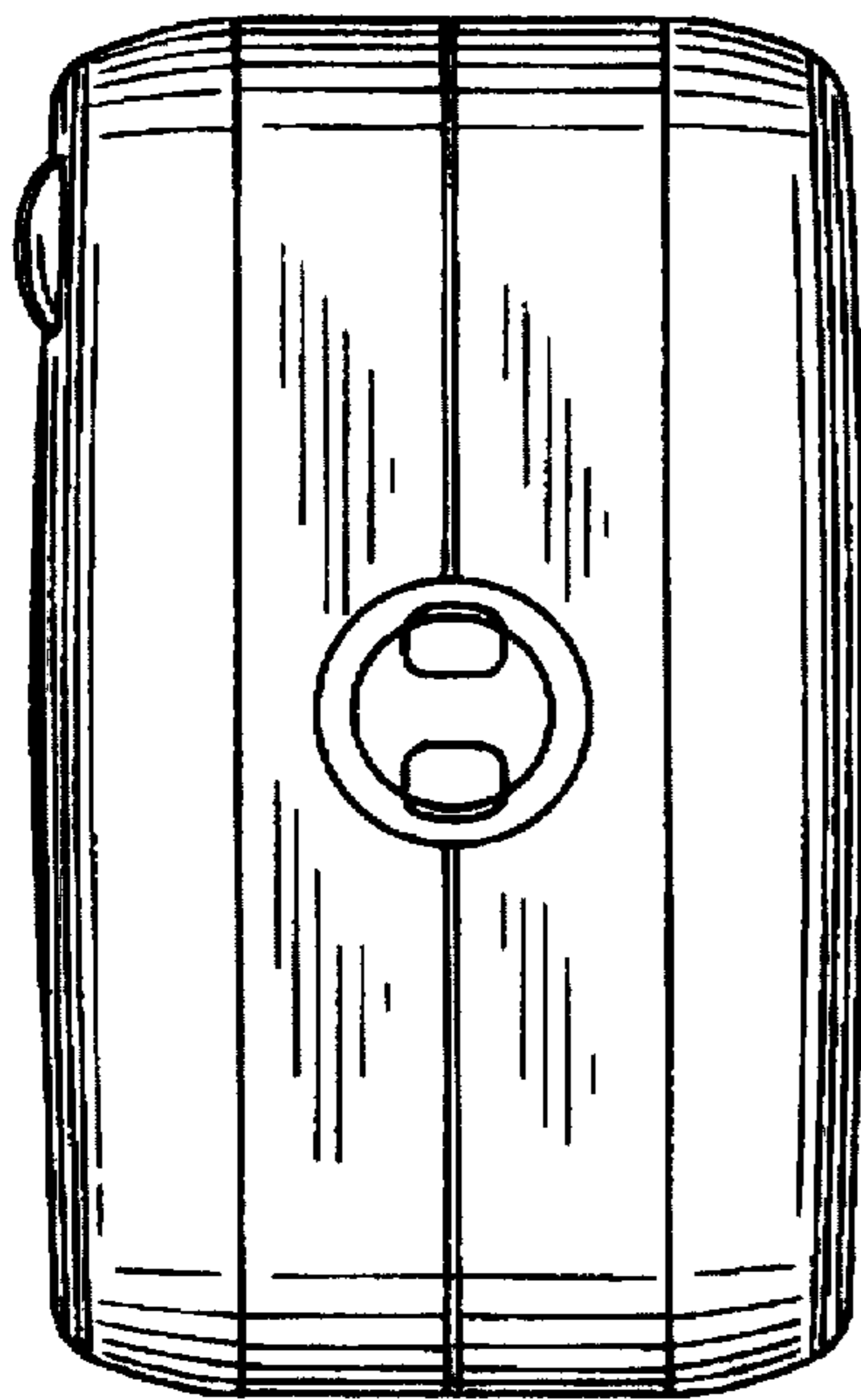
FIG. 2



*FIG. 3*



*FIG. 4*



*FIG. 5*

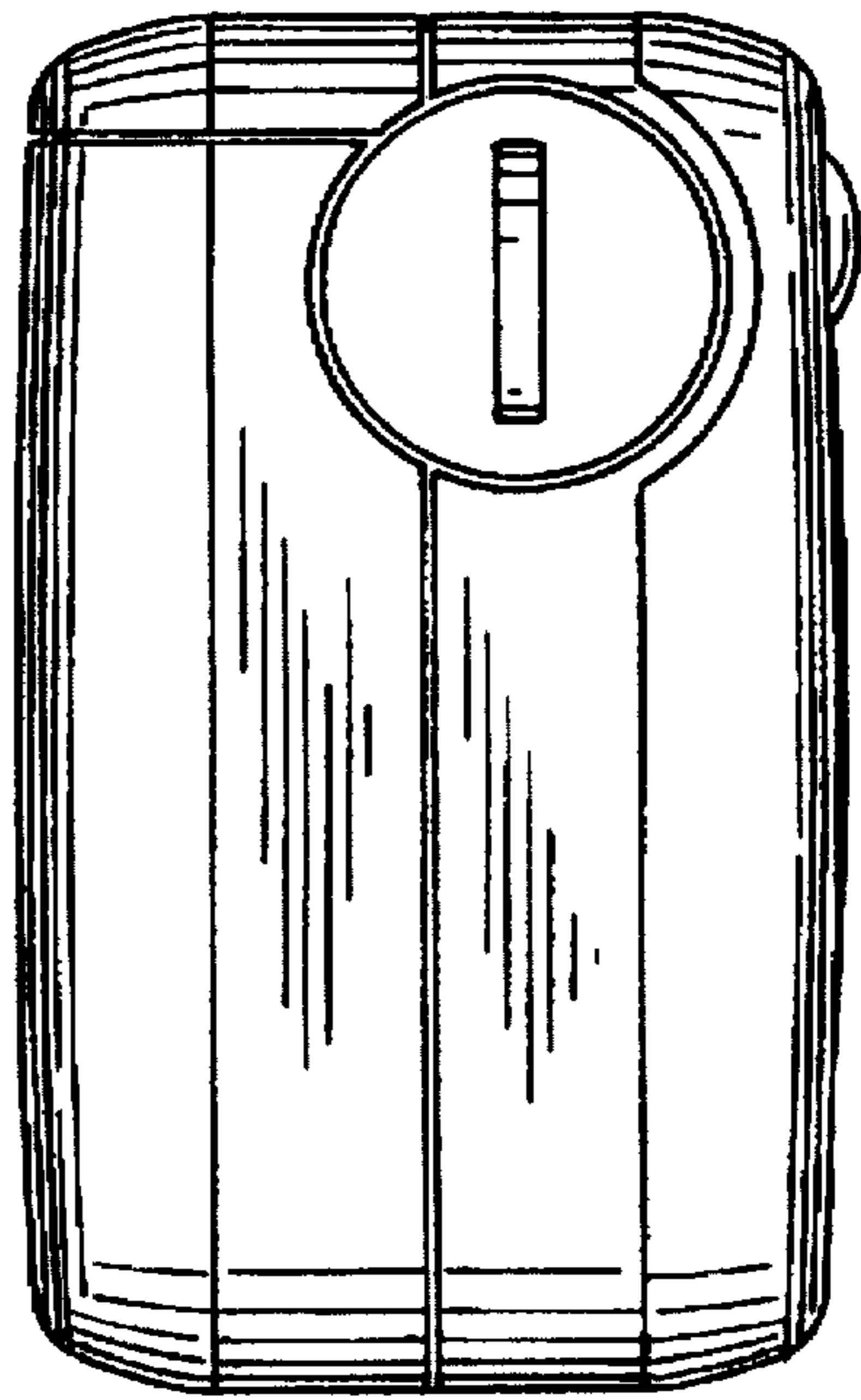




FIG. 6

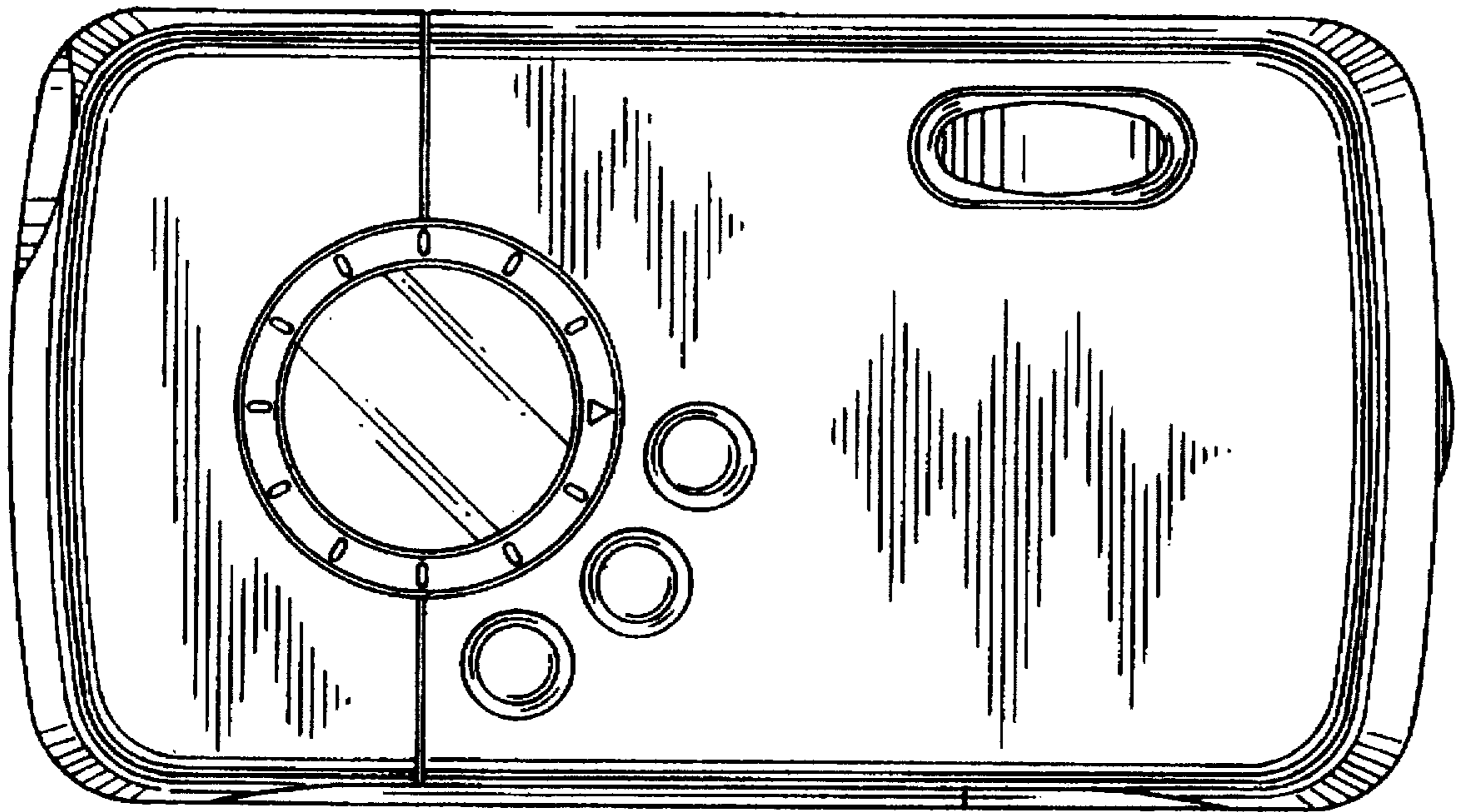


FIG. 7

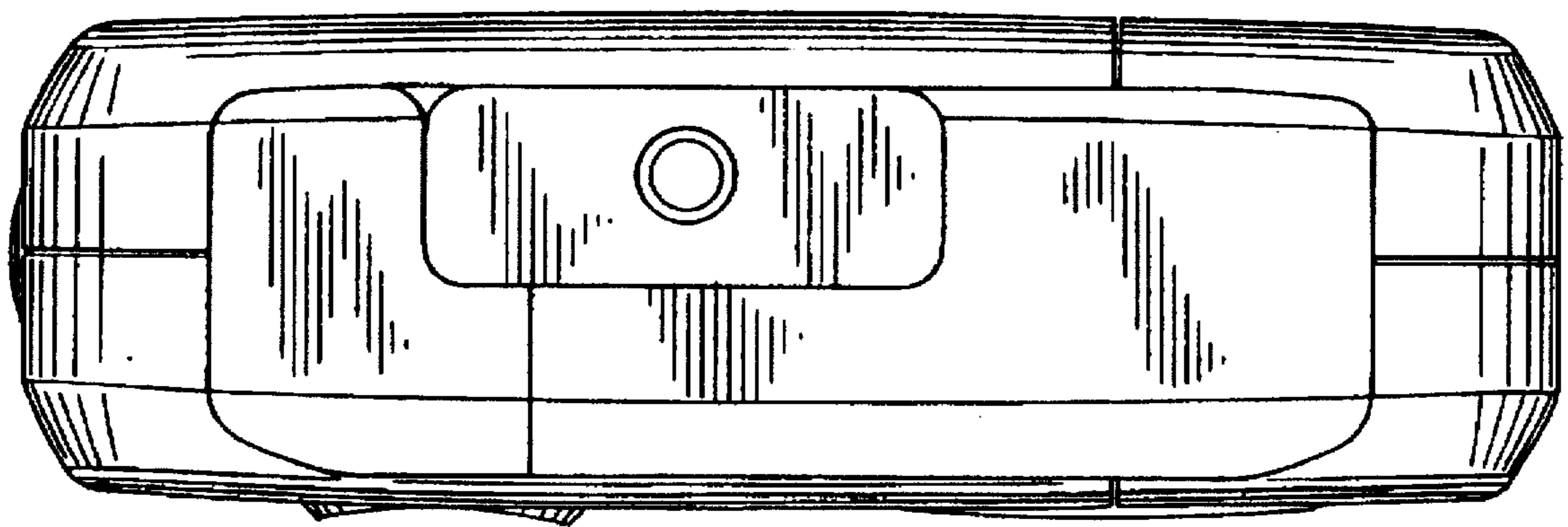


FIG. 8

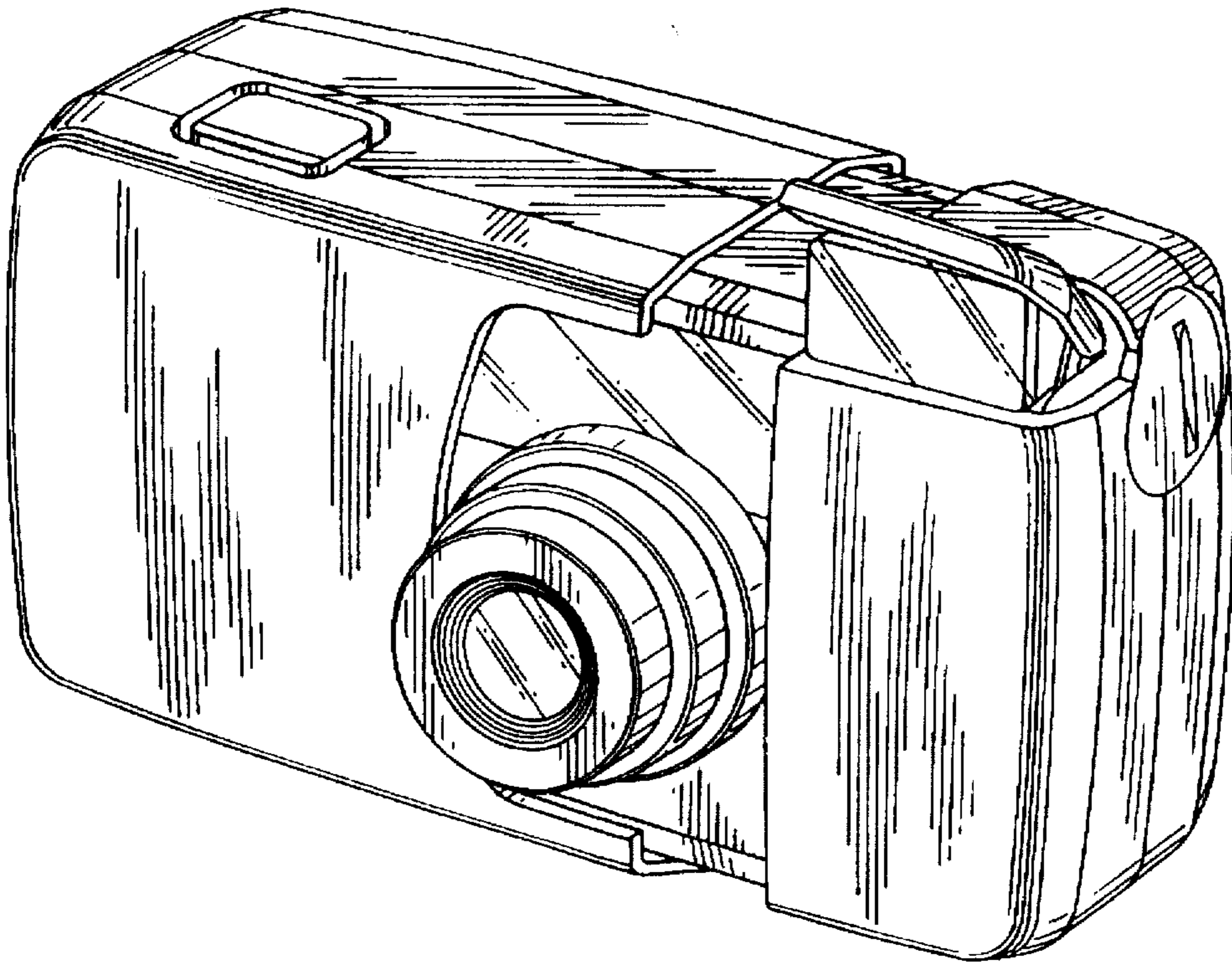
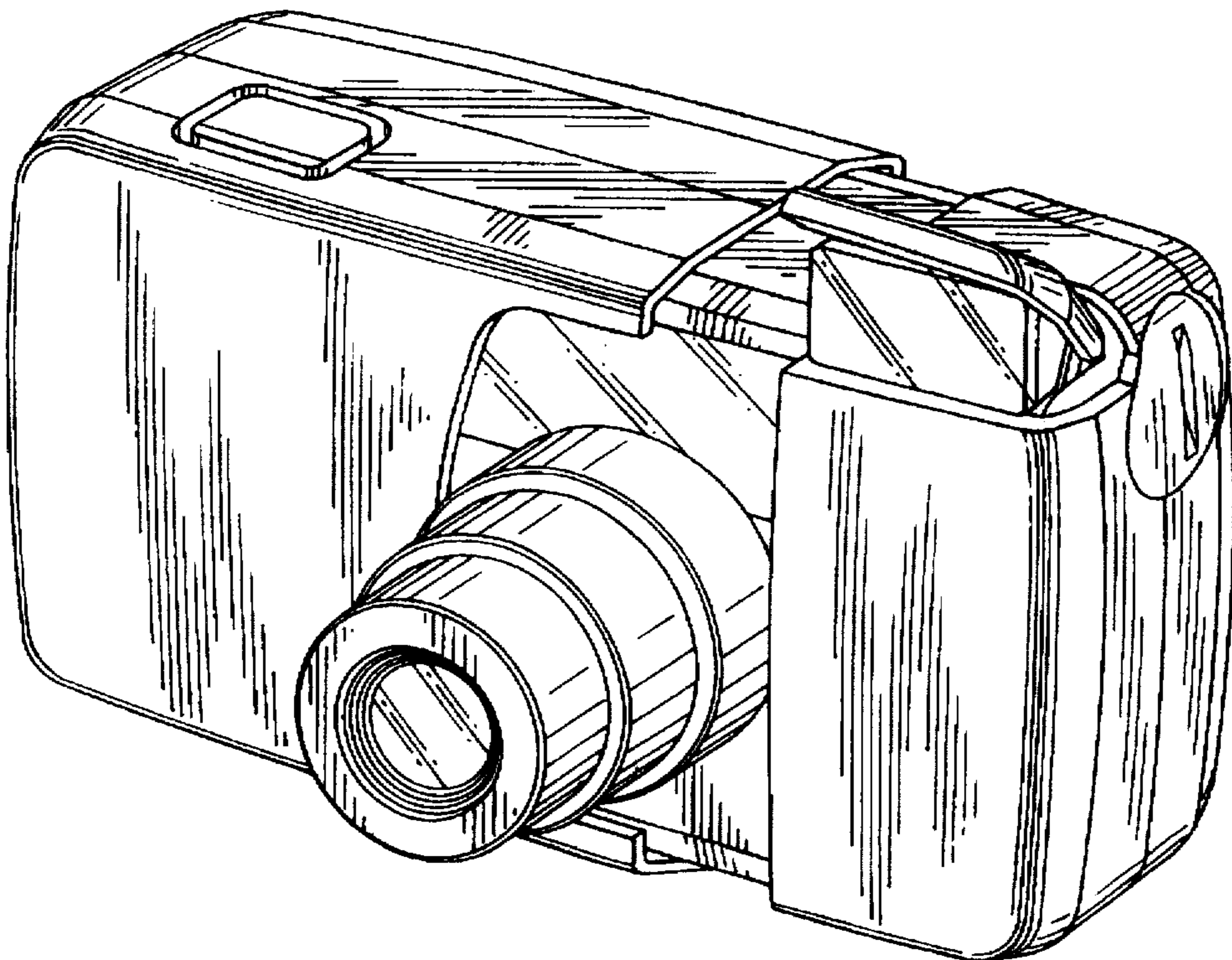


FIG. 9



*FIG. 10*

