



US00D384682S

United States Patent [19]

[11] Patent Number: **Des. 384,682**

Turner et al.

[45] Date of Patent: ****Oct. 7, 1997**

[54] **ELECTRODE FOR A PLASMA ARC TORCH**

4,024,373 5/1977 Bykhovsky et al. .

[75] Inventors: **Tommie Zack Turner**, Darlington; **Rue Allen Lynch**, Florence, both of S.C.

4,625,094 11/1986 Marhic et al. .

5,155,320 10/1992 Simmons 219/119 X

5,200,594 4/1993 Okada et al. .

5,239,162 8/1993 Haun et al. .

[73] Assignee: **The ESAB Group, Inc.**, Florence, S.C.

Primary Examiner—Antoine Duval Davis

[**] Term: **14 Years**

Attorney, Agent, or Firm—Bell, Seltzer, Park & Gibson, P.A.

[21] Appl. No.: **43,863**

[57] CLAIM

[22] Filed: **Sep. 13, 1995**

The ornamental design for an electrode for a plasma arc torch, as shown and described.

[51] LOC (6) Cl. **08-05**

[52] U.S. Cl. **D15/144**

[58] Field of Search D15/144, 144.1, D15/144.2; 219/121.11, 121.12, 121.18, 121.39, 121.48, 121.49, 121.51, 121.52, 121.55, 121.57, 121.59, 119, 120

DESCRIPTION

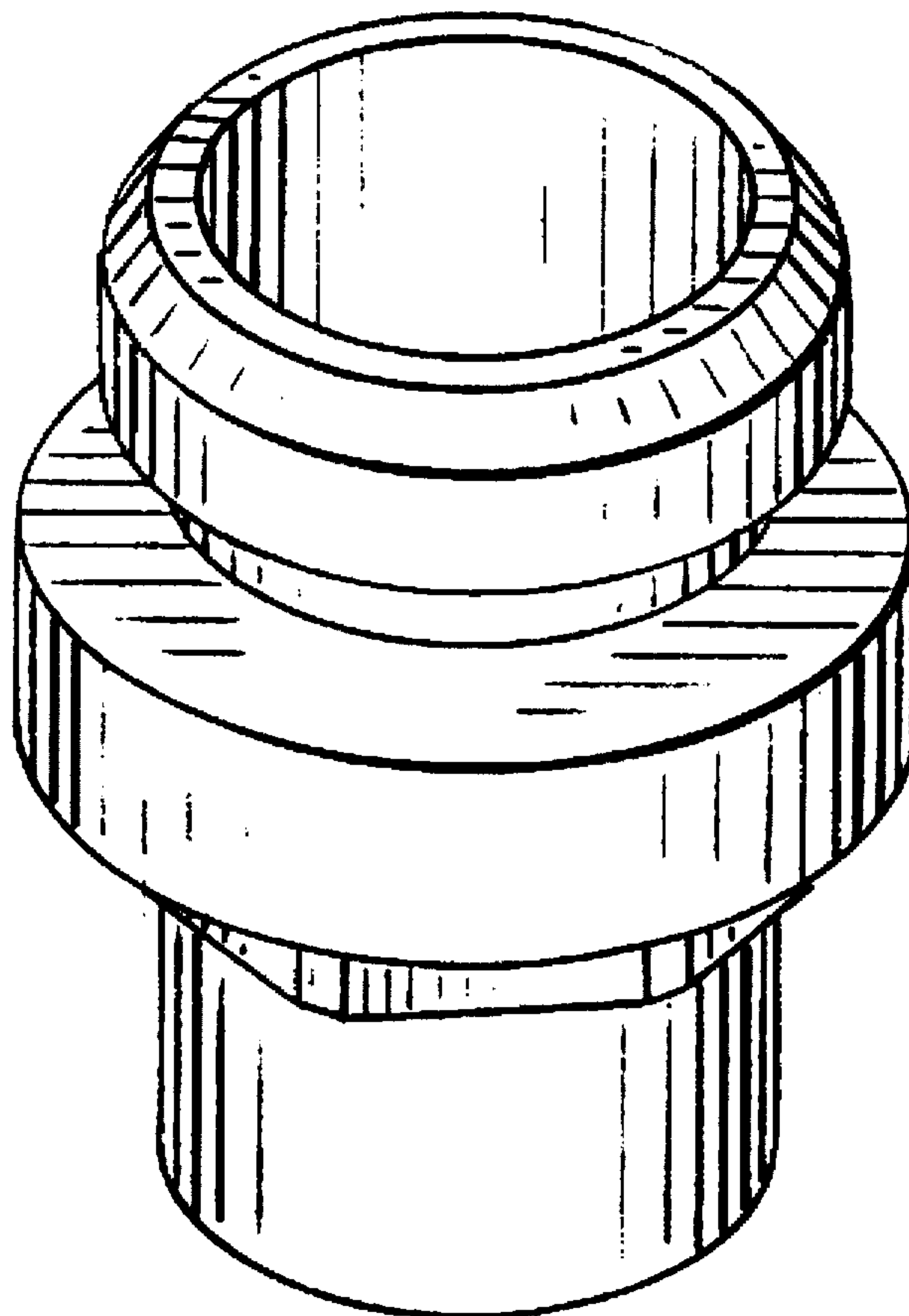
FIG. 1 is a top perspective view of an electrode for a plasma arc torch embodying the design of the invention; FIG. 2 is a side elevational view of the electrode of FIG. 1; FIG. 3 is a top view of the electrode of FIG. 1; FIG. 4 is a bottom view of the electrode of FIG. 1; and, FIG. 5 is a bottom perspective view of the electrode of FIG. 1.

[56] References Cited

U.S. PATENT DOCUMENTS

D. 362,860 10/1995 Carkhuff D15/144

1 Claim, 1 Drawing Sheet



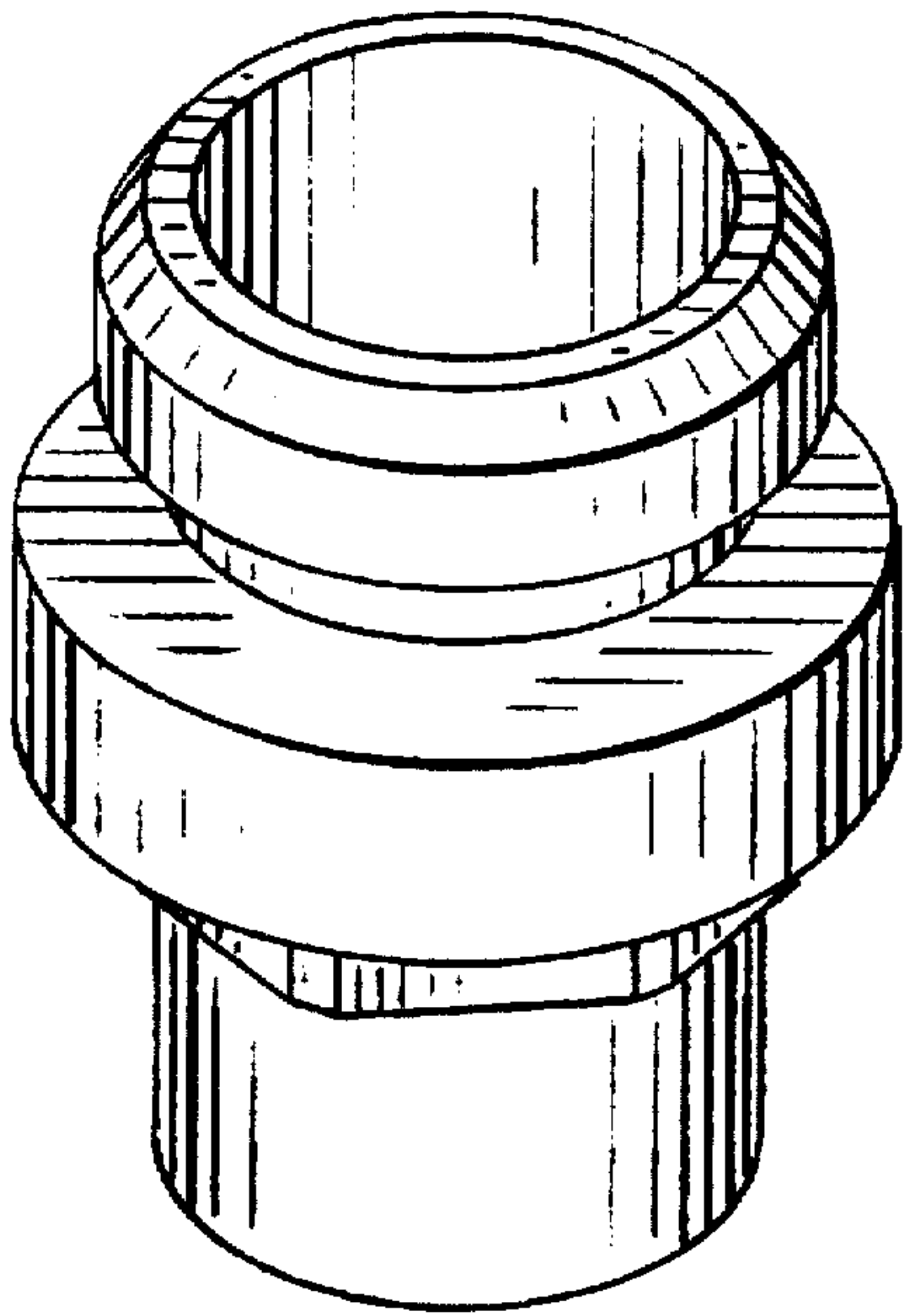


FIG. 1.

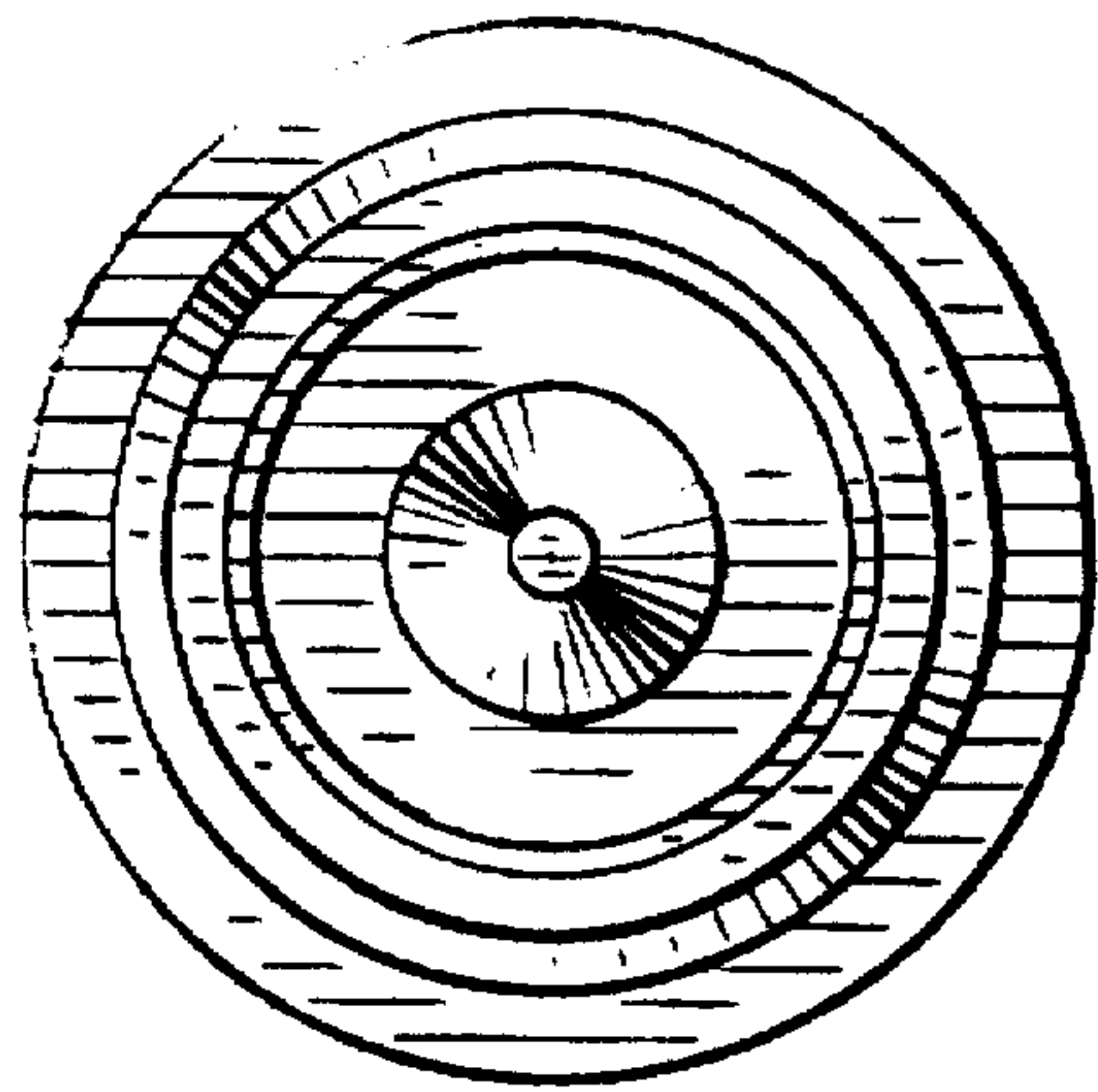


FIG. 3.

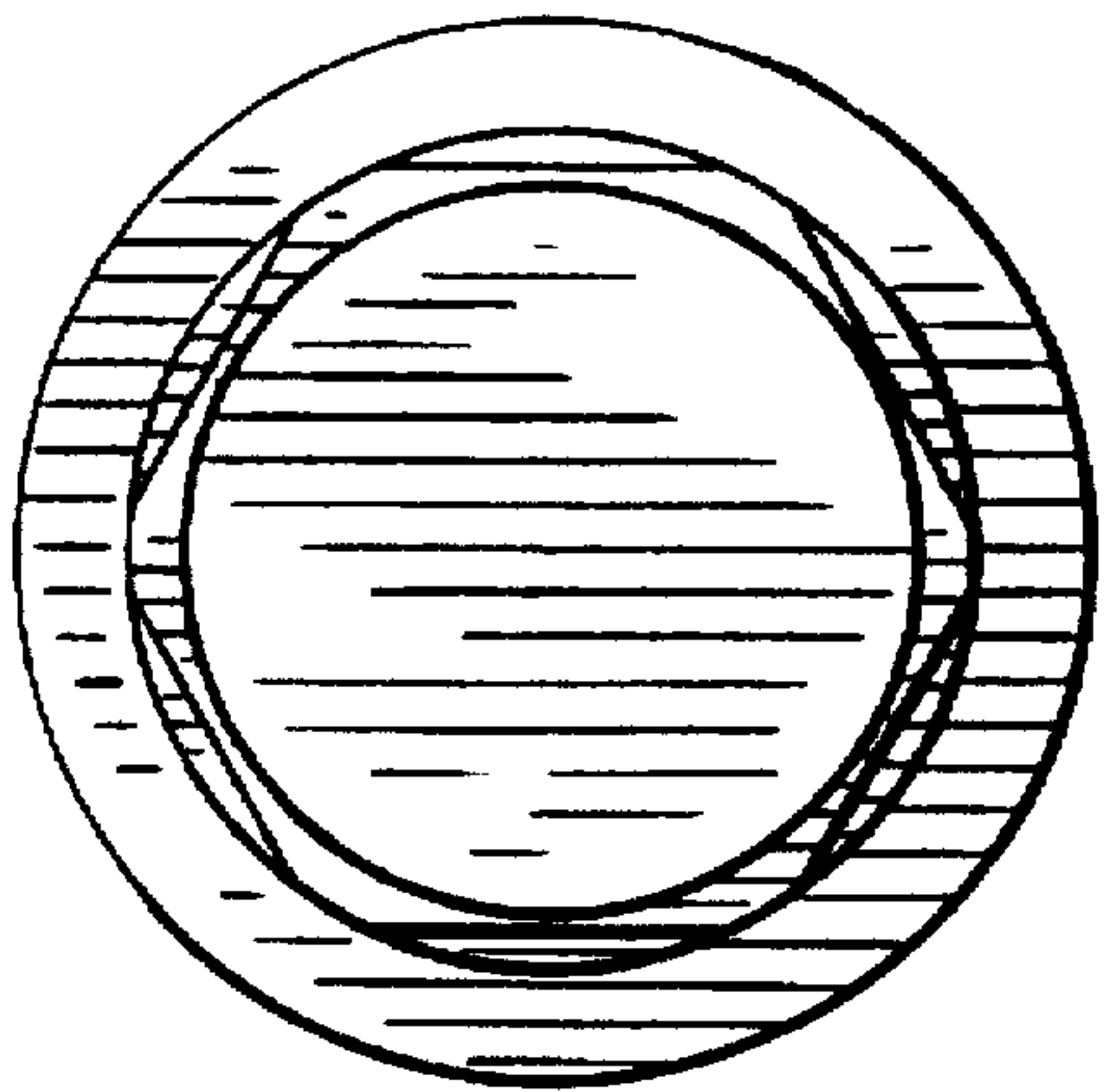


FIG. 4.

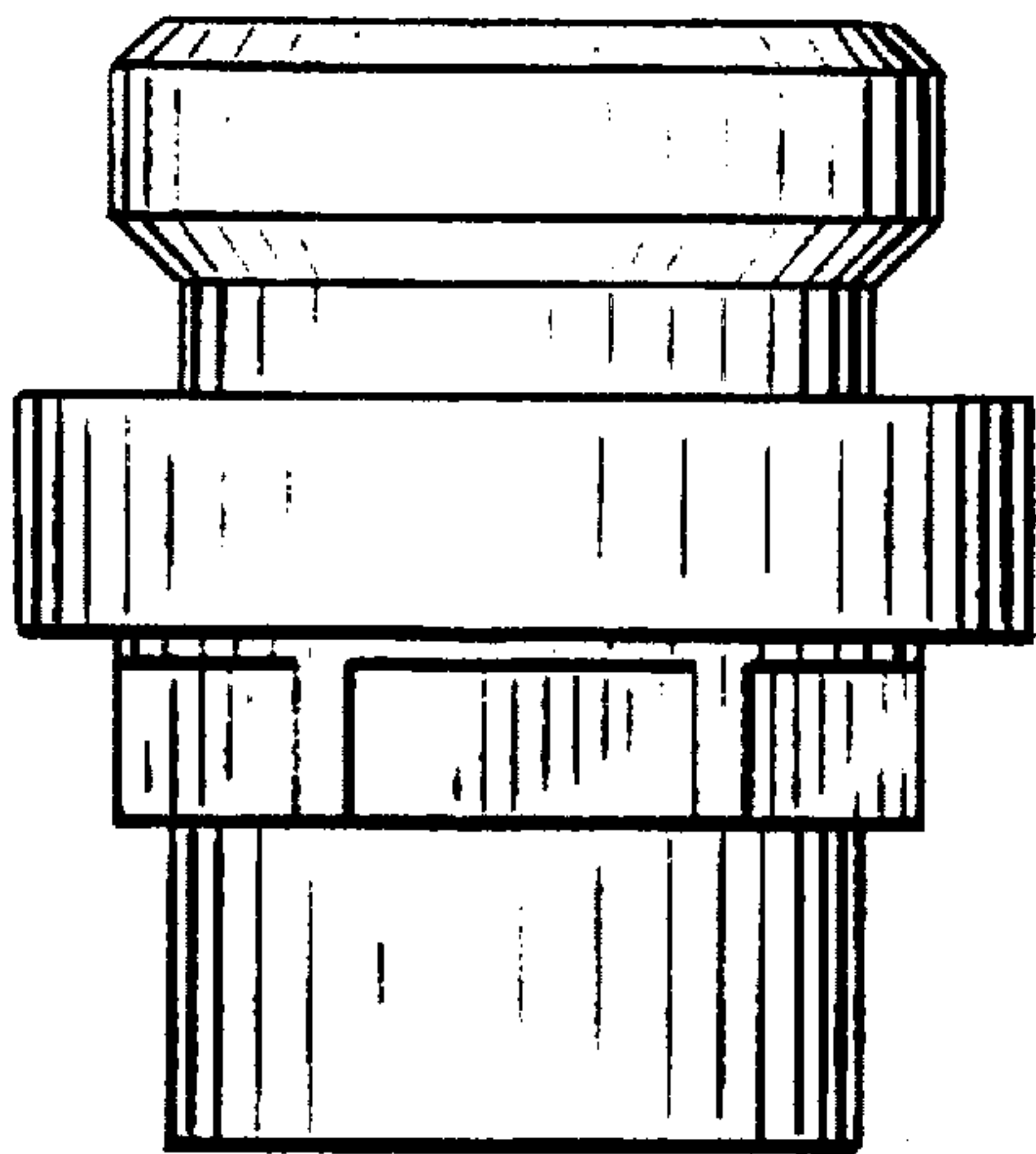


FIG. 2.

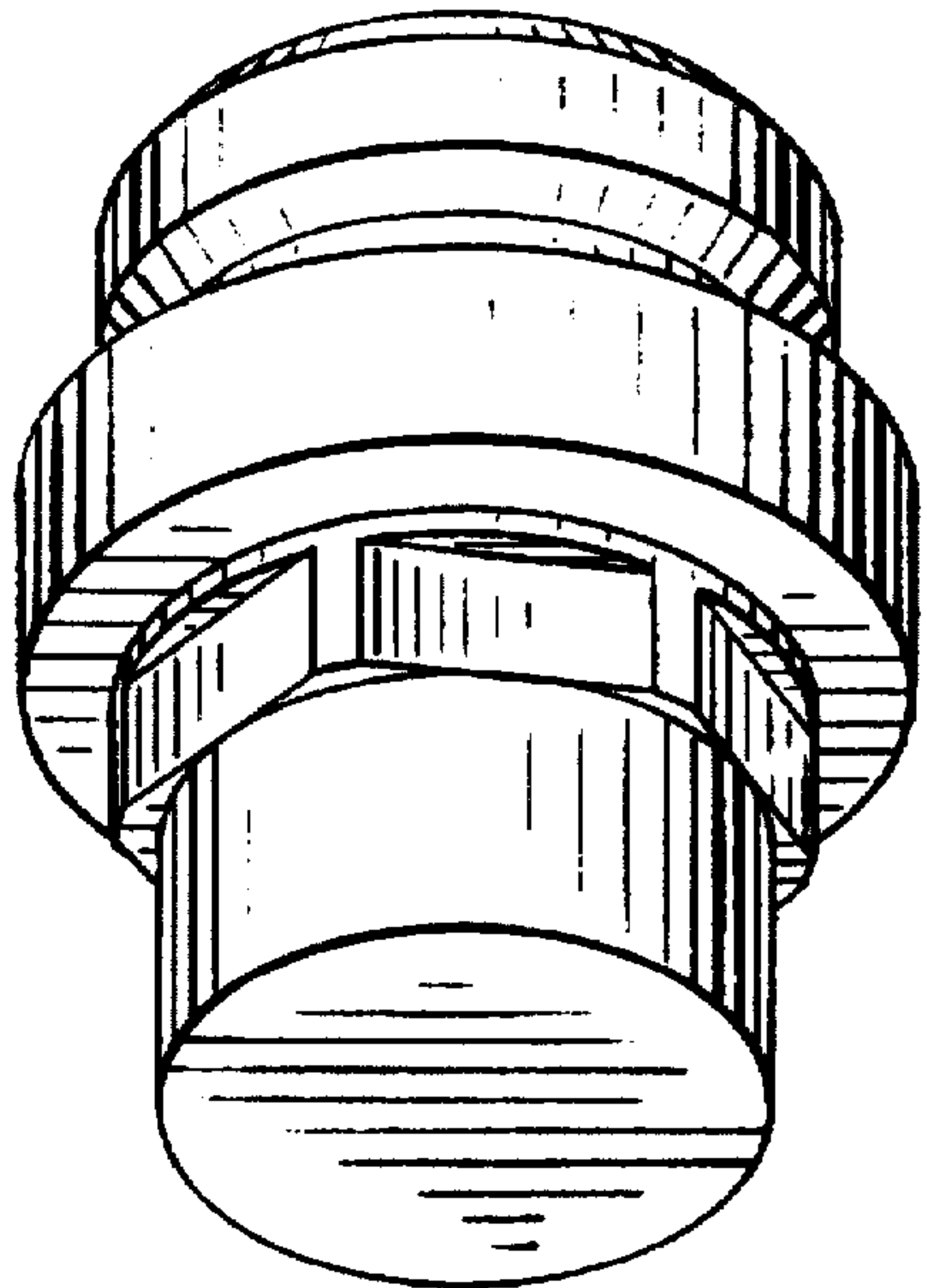


FIG. 5.