



US00D384681S

# United States Patent [19]

[11] Patent Number: **Des. 384,681**

Martin

[45] Date of Patent: **\*\*Oct. 7, 1997**

[54] **REFRIGERATOR CRISPER DRAWER FRONT**

[75] Inventor: **Robert H. Martin**, Columbus, Ohio

[73] Assignee: **White Consolidated Industries, Inc.**,  
Cleveland, Ohio

[\*\*] Term: **14 Years**

[21] Appl. No.: **48,266**

[22] Filed: **Dec. 22, 1995**

[51] **LOC (6) Cl.** ..... **15-07**

[52] **U.S. Cl.** ..... **D15/89**

[58] **Field of Search** ..... D6/470-472, 573,  
D6/574; D15/79, 81, 85, 86, 89, 91; 211/88,  
90, 153; 312/116, 117, 119, 236, 401, 404,  
406, 407, 407.1, 408

5,100,213	3/1992	Vandarakis et al.	312/405
5,273,354	12/1993	Herrmann et al.	312/408
5,303,563	4/1994	Bishop et al.	62/382
5,366,284	11/1994	Baker et al.	312/404
5,417,080	5/1995	Bishop	62/376
5,437,503	8/1995	Baker et al.	312/404

### OTHER PUBLICATIONS

1985 Sweets Architectural Catalog File, vol. 3, Frigidare Catalog, p. 4; drawer, left.

1985 Sweets Architectural Catalog File, vol. 3 GE Refrigerator Catalog, p. 6; drawer, bottom left.

1985 Sweets Architectural catalog File, vol. 3 Hotpoint Catalog p. 7; drawer, bottom.

Sears Washington Post Insert, Kitchen Aid Refrigerator drawer, top left.

*Primary Examiner*—Sandra L. Morris

*Attorney, Agent, or Firm*—Pearne, Gordon, McCoy & Granger LLP

### [56] References Cited

#### U.S. PATENT DOCUMENTS

D. 140,243	2/1945	Wemyss	D6/470
D. 253,564	12/1979	Ungaro	D6/573
D. 358,403	5/1995	Edman et al.	D15/89
2,306,802	12/1942	Harbison	62/89
2,482,339	9/1949	Hibbard et al.	72/19
2,573,272	10/1951	Petkowitz	312/342
2,704,237	3/1955	Nave	312/323
2,962,183	11/1960	Rill, Jr. et al.	220/9
3,169,813	2/1965	Cannon et al.	312/404
3,638,717	2/1972	Harbour et al.	62/187
3,680,941	8/1972	Shanks	312/296
3,937,537	2/1976	Dietterich	312/204
4,732,435	3/1988	Bailey et al.	312/311
4,860,555	8/1989	Bishop et al.	62/376
4,960,308	10/1990	Donaghy	D15/87
5,040,856	8/1991	Wilkins et al.	312/214
5,044,704	9/1991	Bussan et al.	312/214

### [57] CLAIM

The ornamental design for a refrigerator crisper drawer front, as shown and described.

### DESCRIPTION

FIG. 1 is a front perspective view of a refrigerator crisper drawer front, showing my new design, the broken line showing of the refrigerator is for illustrative purposes only, and forms no part of the claimed design;

FIG. 2 is an enlarged front perspective view thereof;

FIG. 3 shows a top view of the drawer;

FIG. 4 shows a side view of the drawer, the opposite side view being a mirror image thereof;

FIG. 5 shows a front view of the drawer;

FIG. 6 shows a rear view of the drawer; and,

FIG. 7 shows a bottom view of the drawer.

**1 Claim, 5 Drawing Sheets**

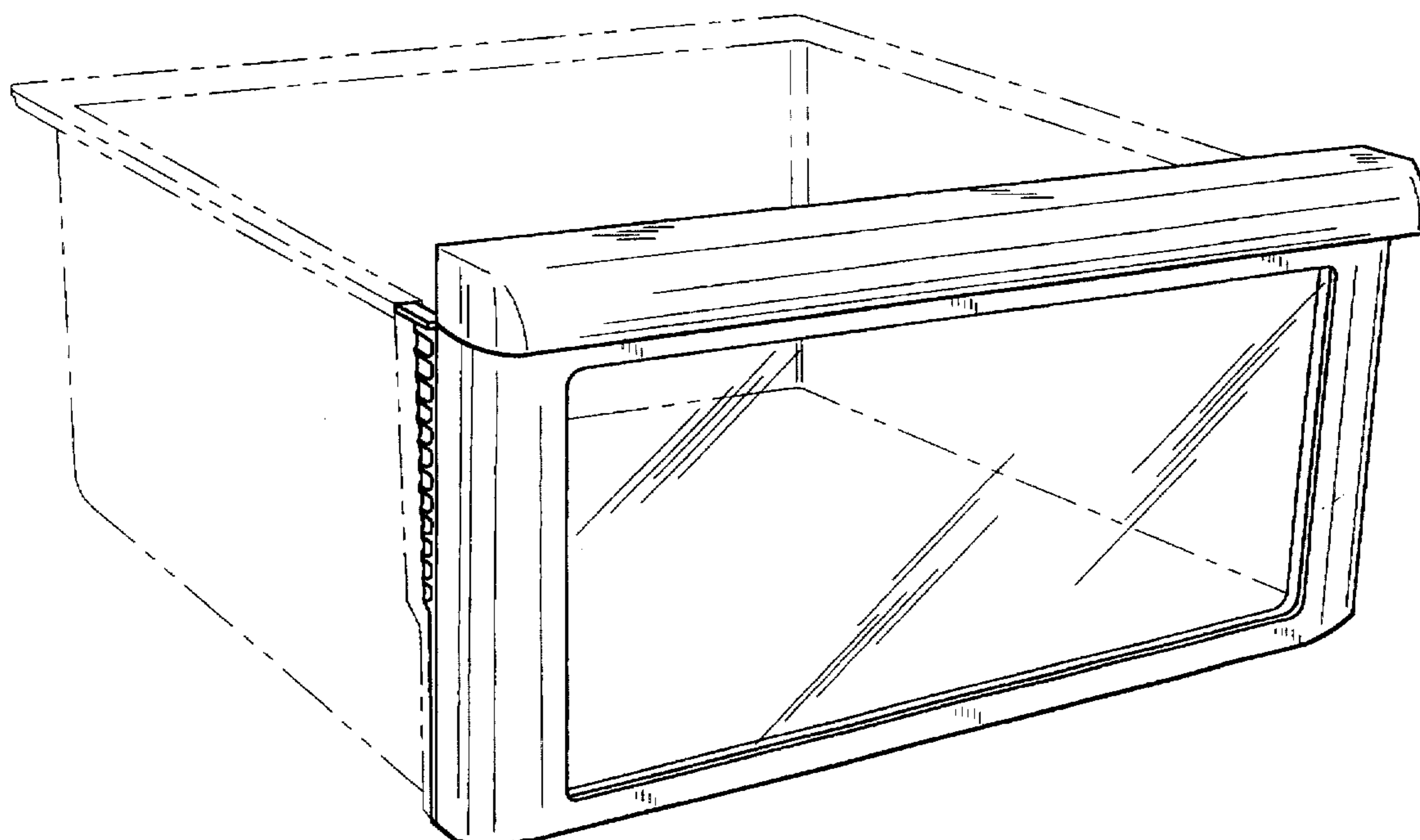
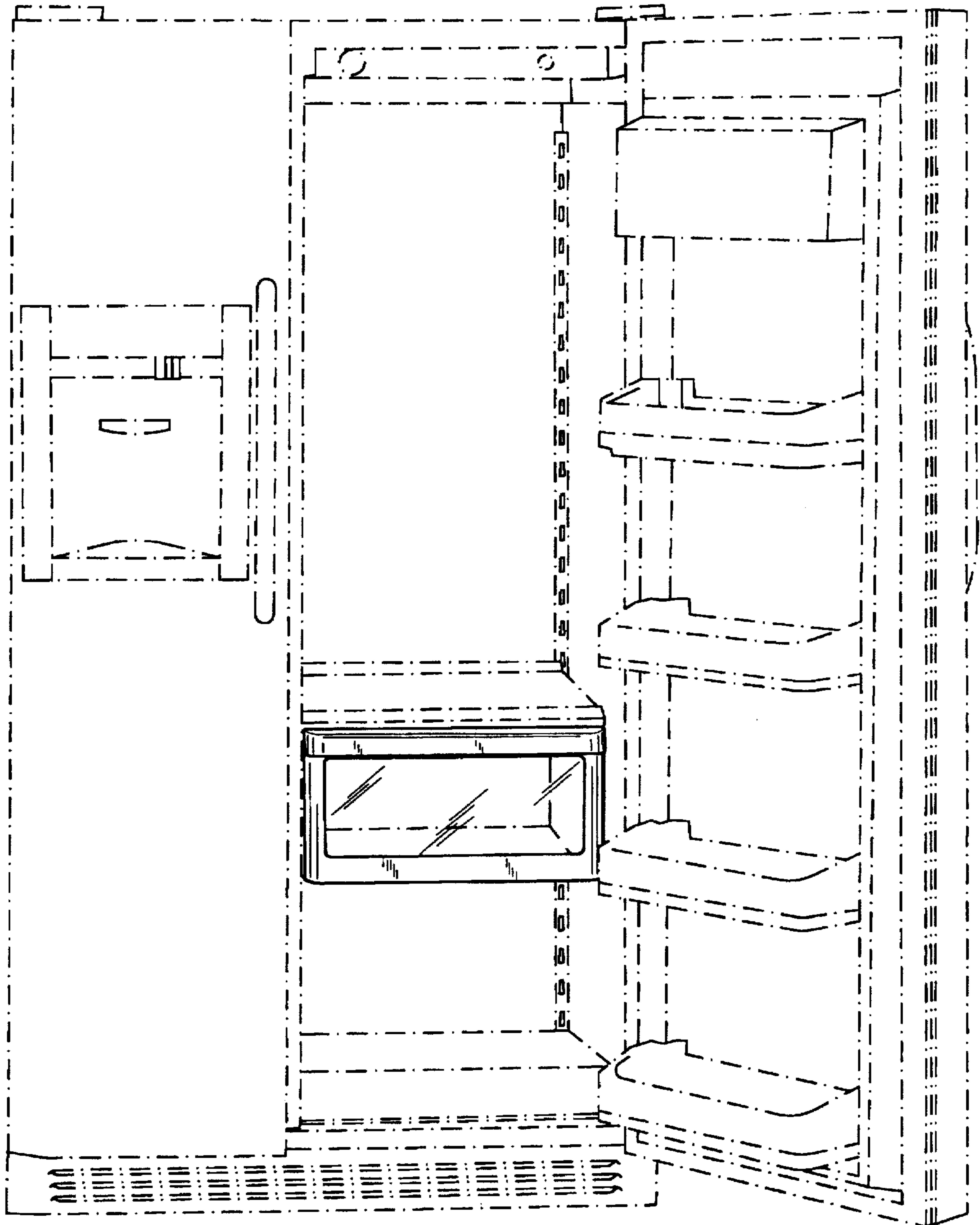


Fig. 1



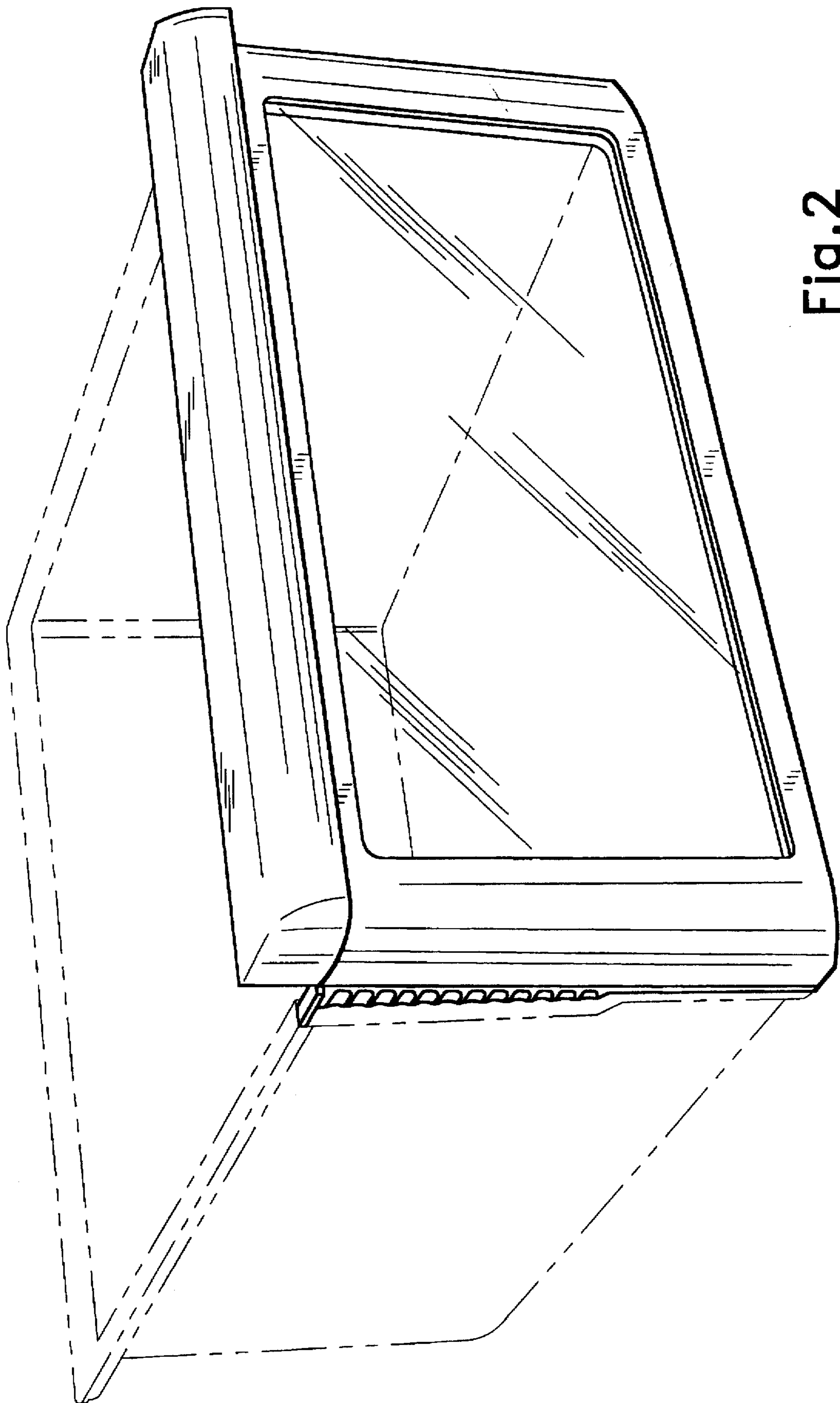


Fig. 2

Fig.3

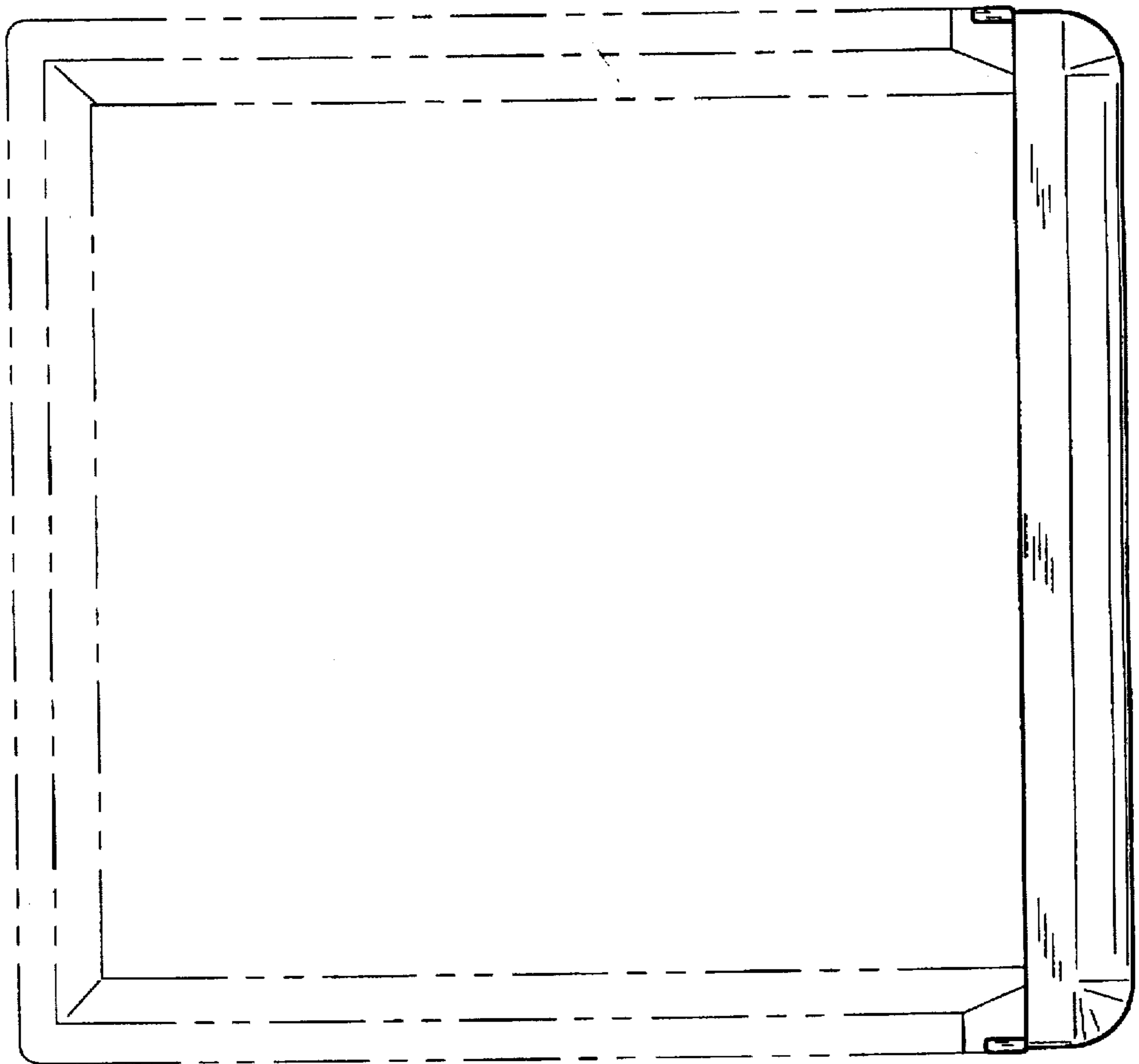


Fig.4

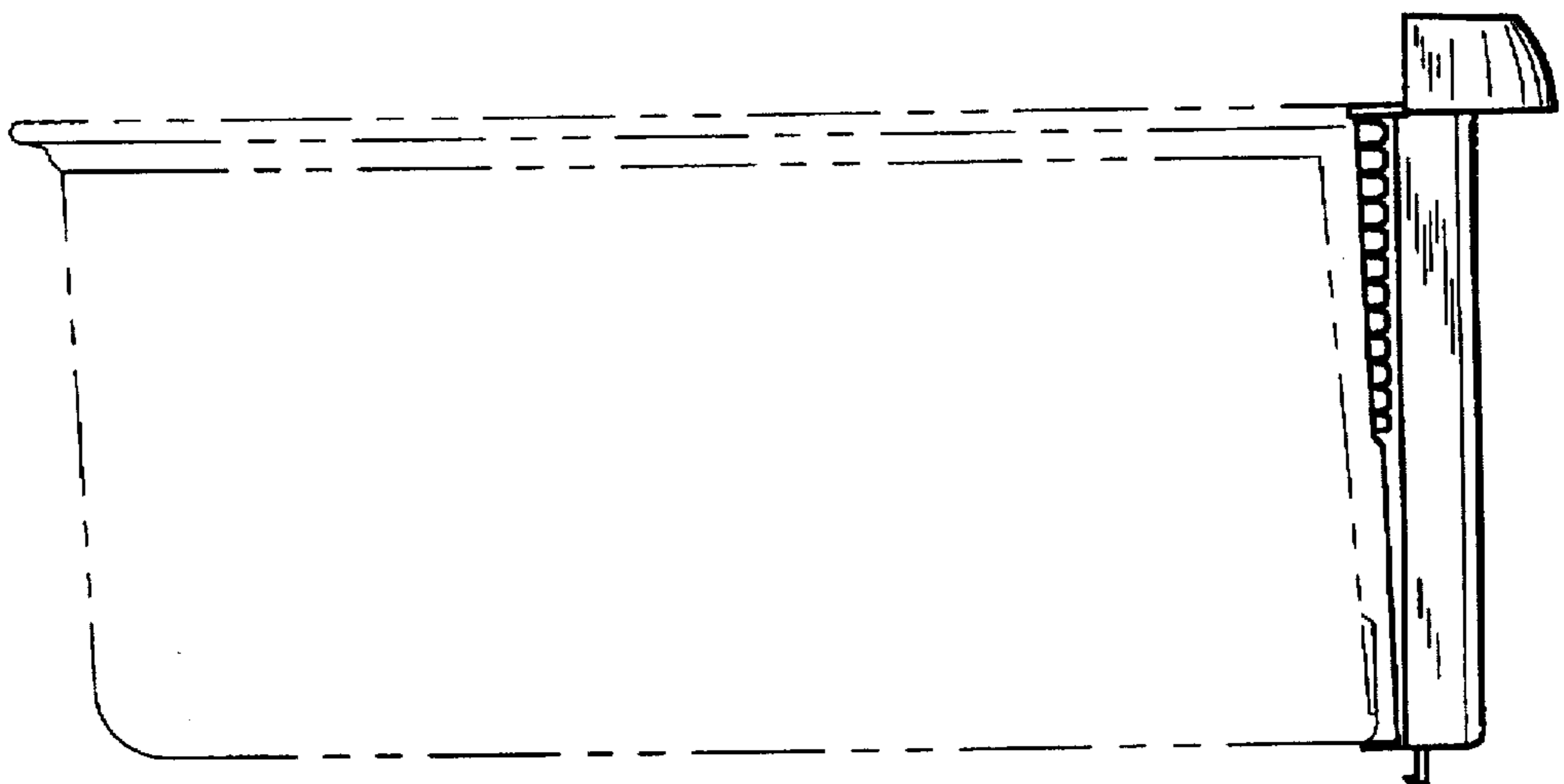




Fig.5

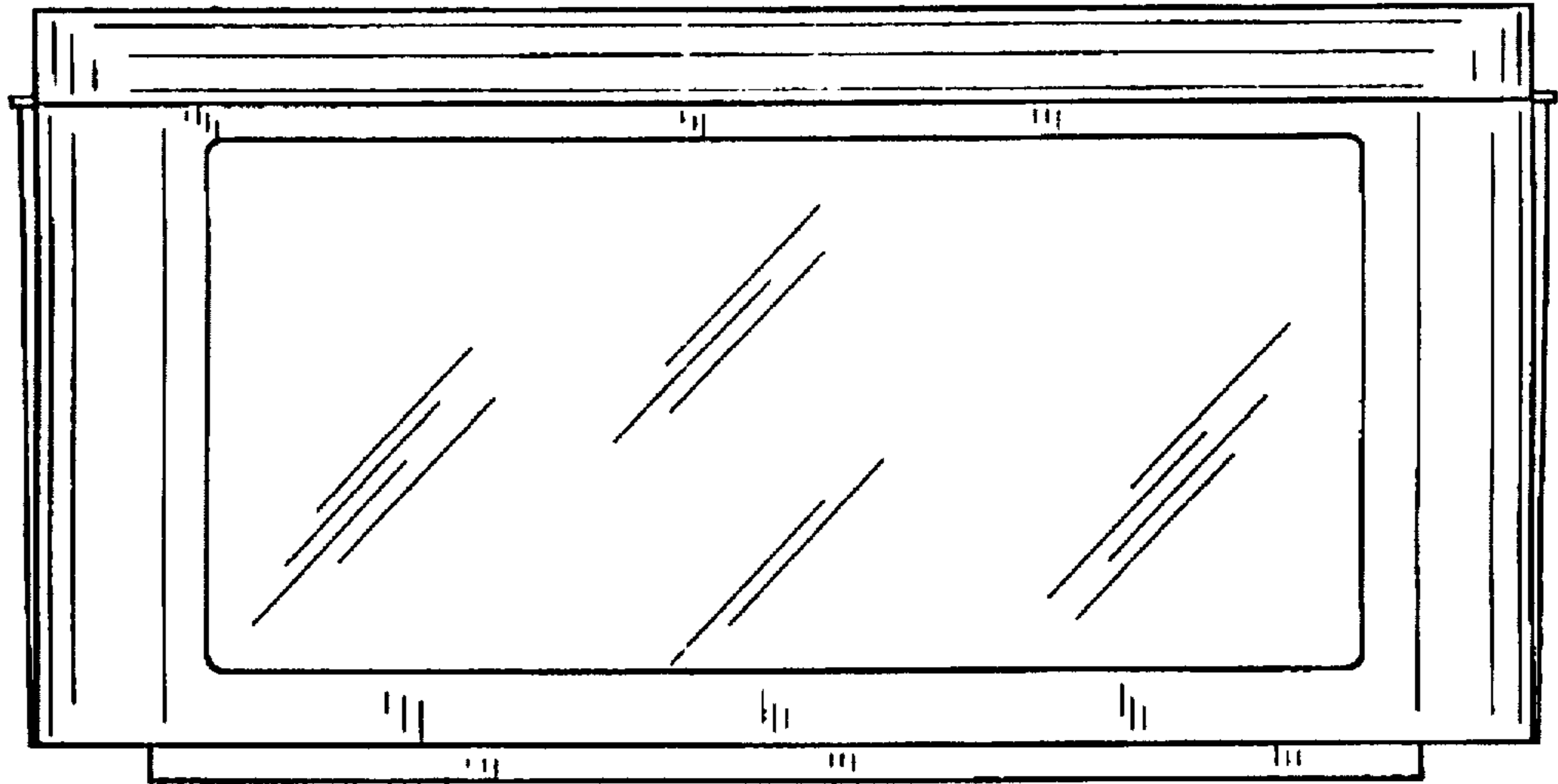


Fig.6

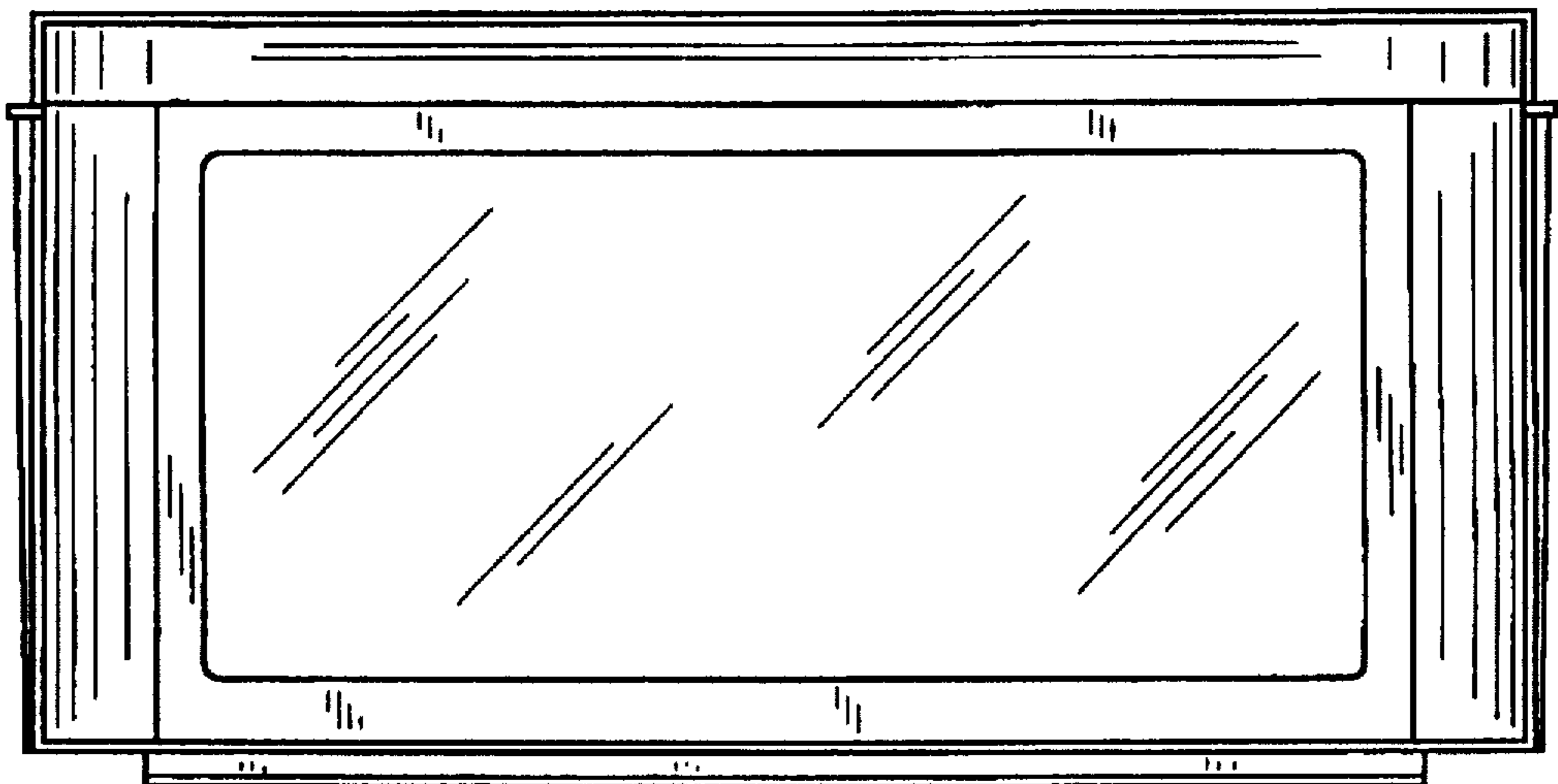


Fig.7

