



US00D384679S

# United States Patent [19]

Havlovitz et al.

[11] Patent Number: **Des. 384,679**

[45] Date of Patent: **\*\*Oct. 7, 1997**

[54] **BROADCAST SPREADER**

[75] Inventors: **Paul M. Havlovitz, Escondido; Albert C. Martinez, Vista, both of Calif.**

[73] Assignee: **Republic Tool & Mfg. Corp., Carlsbad, Calif.**

[\*\*] Term: **14 Years**

[21] Appl. No.: **56,752**

[22] Filed: **Jul. 8, 1996**

[51] LOC (6) Cl. .... **15-03**

[52] U.S. Cl. .... **D15/13**

[58] Field of Search ..... **D15/10-14; 239/681-689**

[56] **References Cited**

**U.S. PATENT DOCUMENTS**

D. 240,152	6/1976	Raffer et al. ....	D15/3
D. 241,263	8/1976	Luckhurst .....	D15/13
D. 282,931	3/1986	Doering et al. ....	D15/13
D. 284,666	7/1986	Amerine .....	D15/13
D. 338,893	8/1993	Simpson .....	D15/13

D. 338,894	8/1993	Simpson .....	D15/13
D. 371,780	7/1996	Havlovitz .....	D15/13
D. 373,367	9/1996	Havlovitz .....	D15/13

*Primary Examiner*—Sandra L. Morris  
*Attorney, Agent, or Firm*—Harry Williams

[57] **CLAIM**

The ornamental design for a broadcast spreader, as shown and described.

**DESCRIPTION**

FIG. 1 is a perspective view taken from the top, front and right side view of a broadcast spreader showing our new design;

FIG. 2 is a perspective view taken from the top, rear and left side view thereof;

FIG. 3 is left side elevational view thereof;

FIG. 4 is right side elevational view thereof;

FIG. 5 is a front elevational view thereof;

FIG. 6 is a rear elevational view thereof;

FIG. 7 is a top plan view thereof; and,

FIG. 8 is a bottom plan view thereof.

**1 Claim, 4 Drawing Sheets**

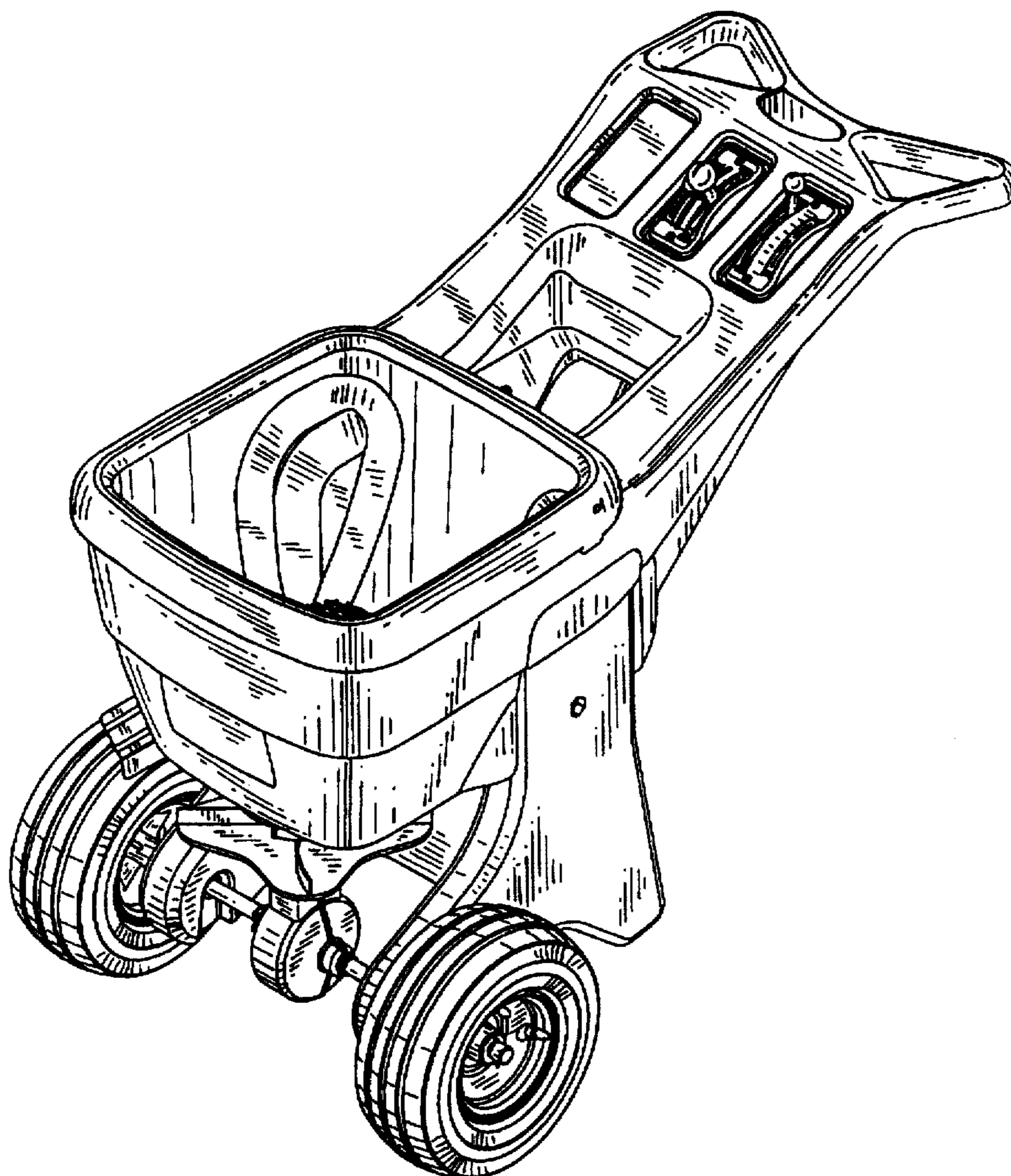


FIG. 1

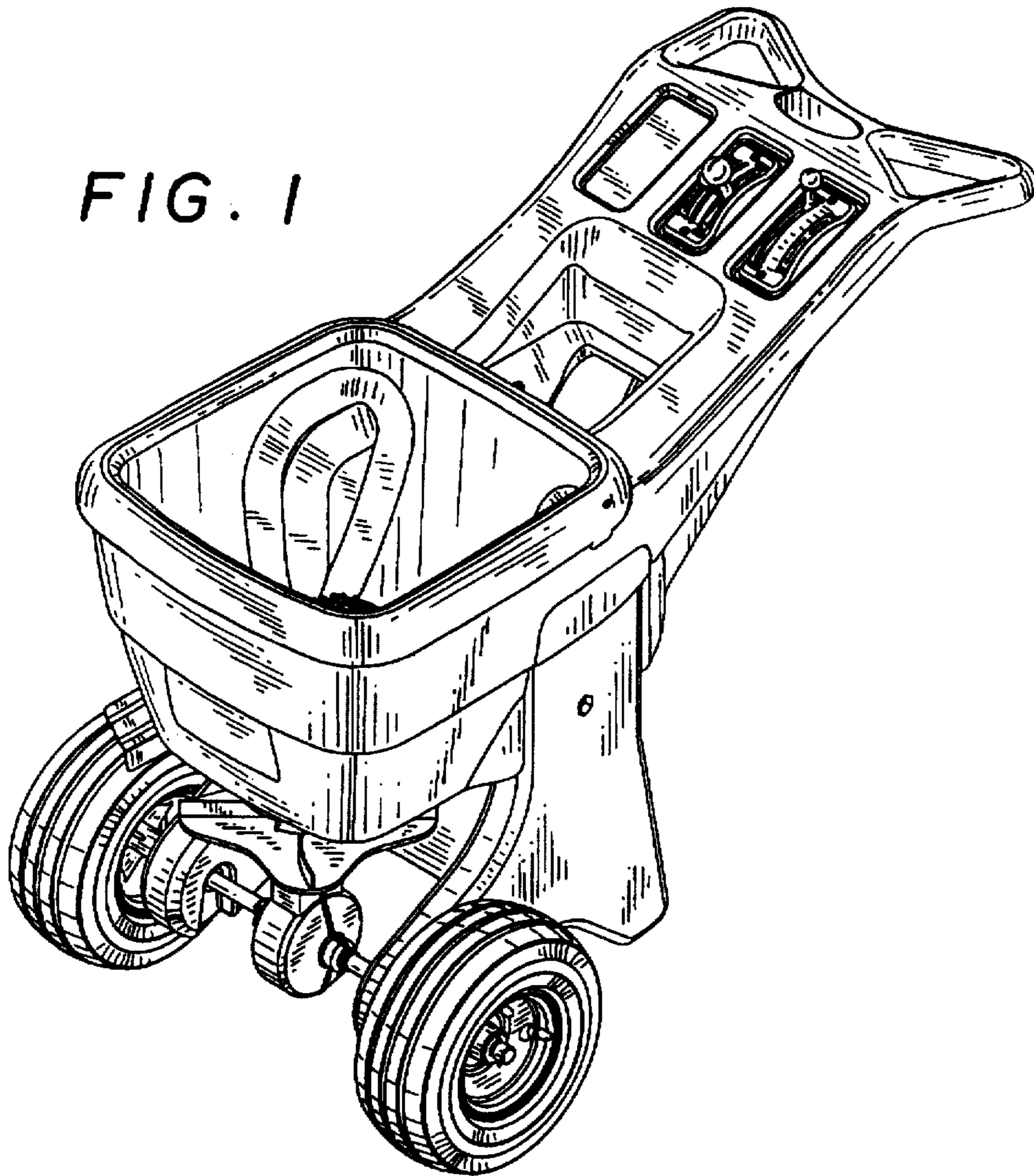
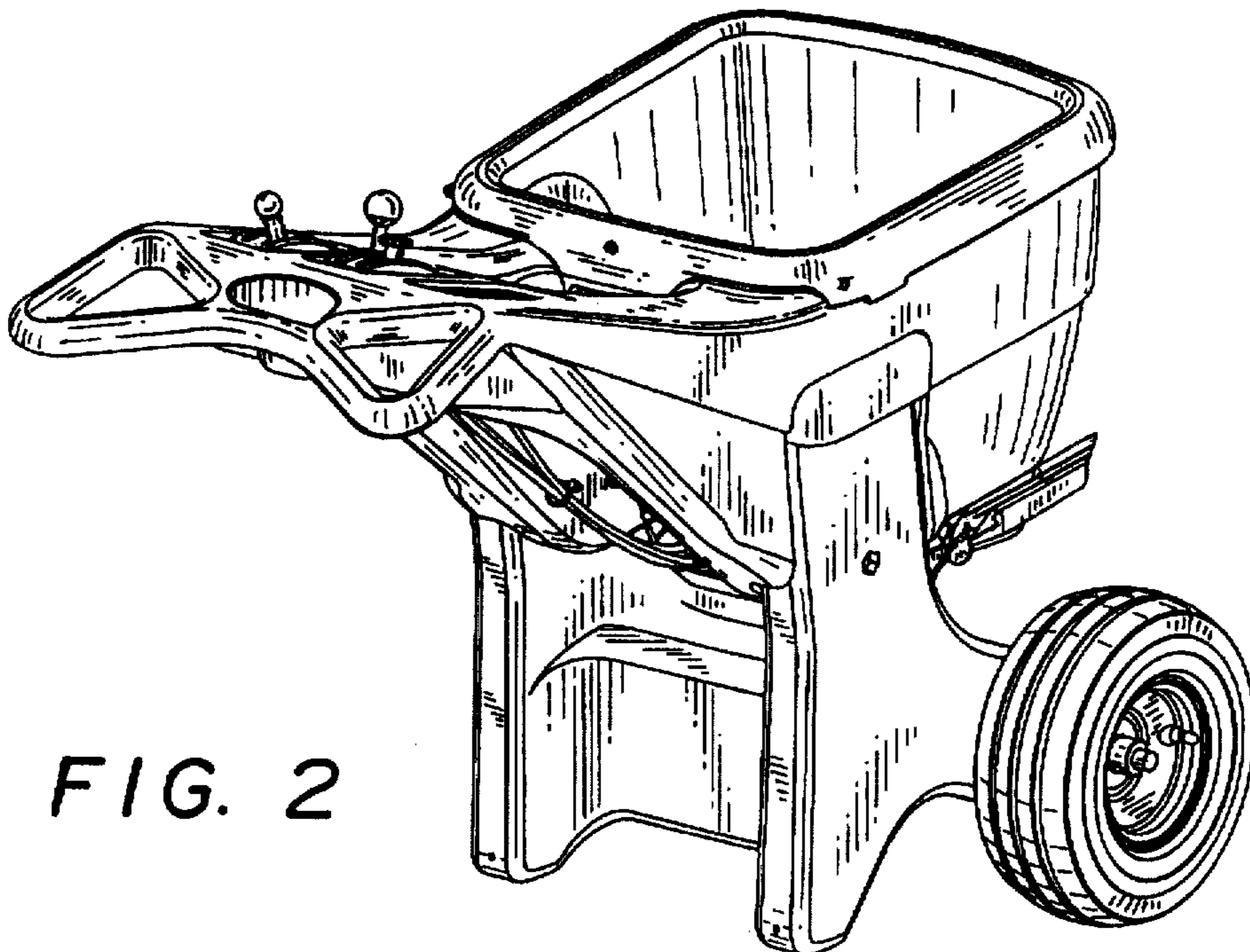


FIG. 2



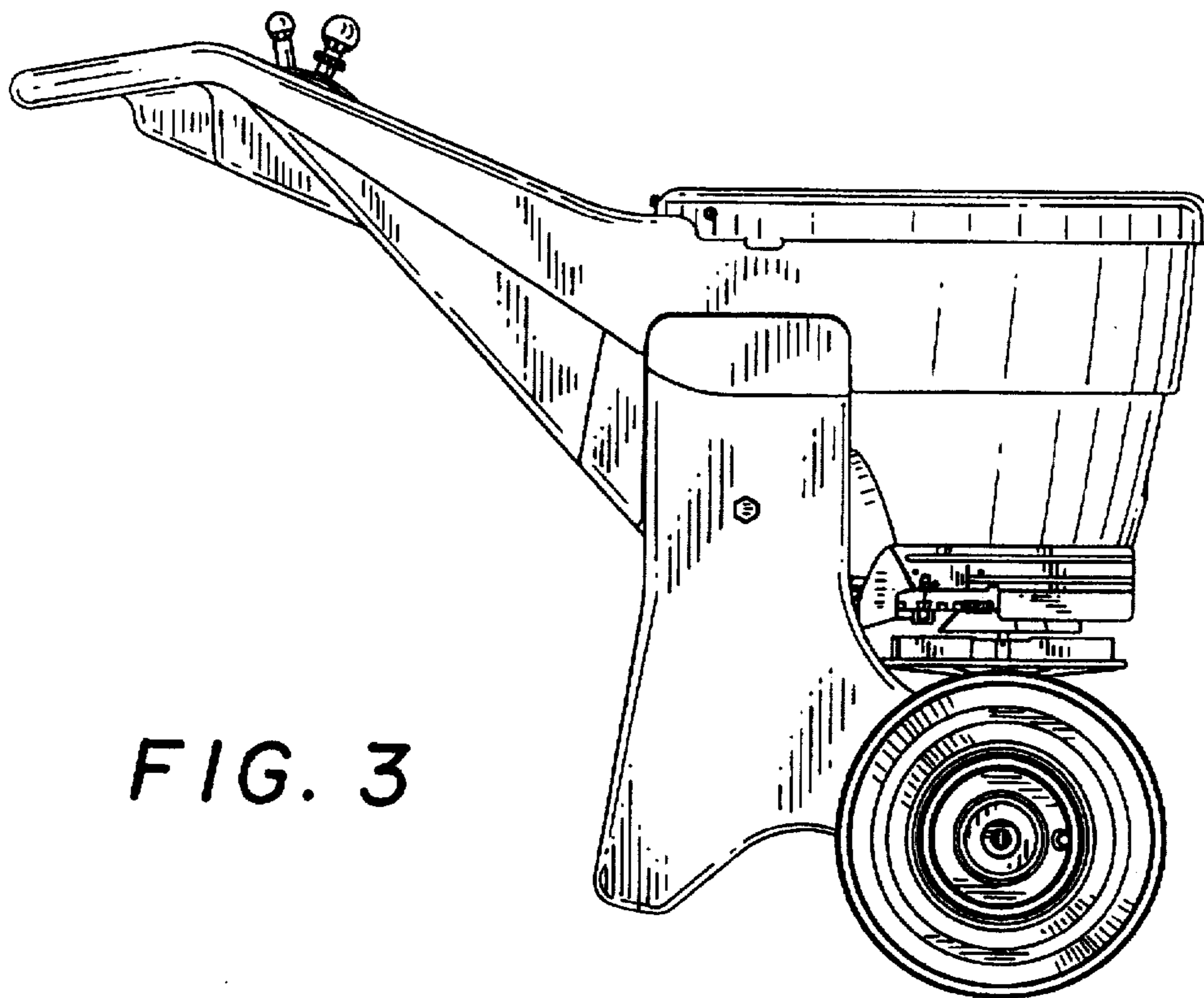


FIG. 3

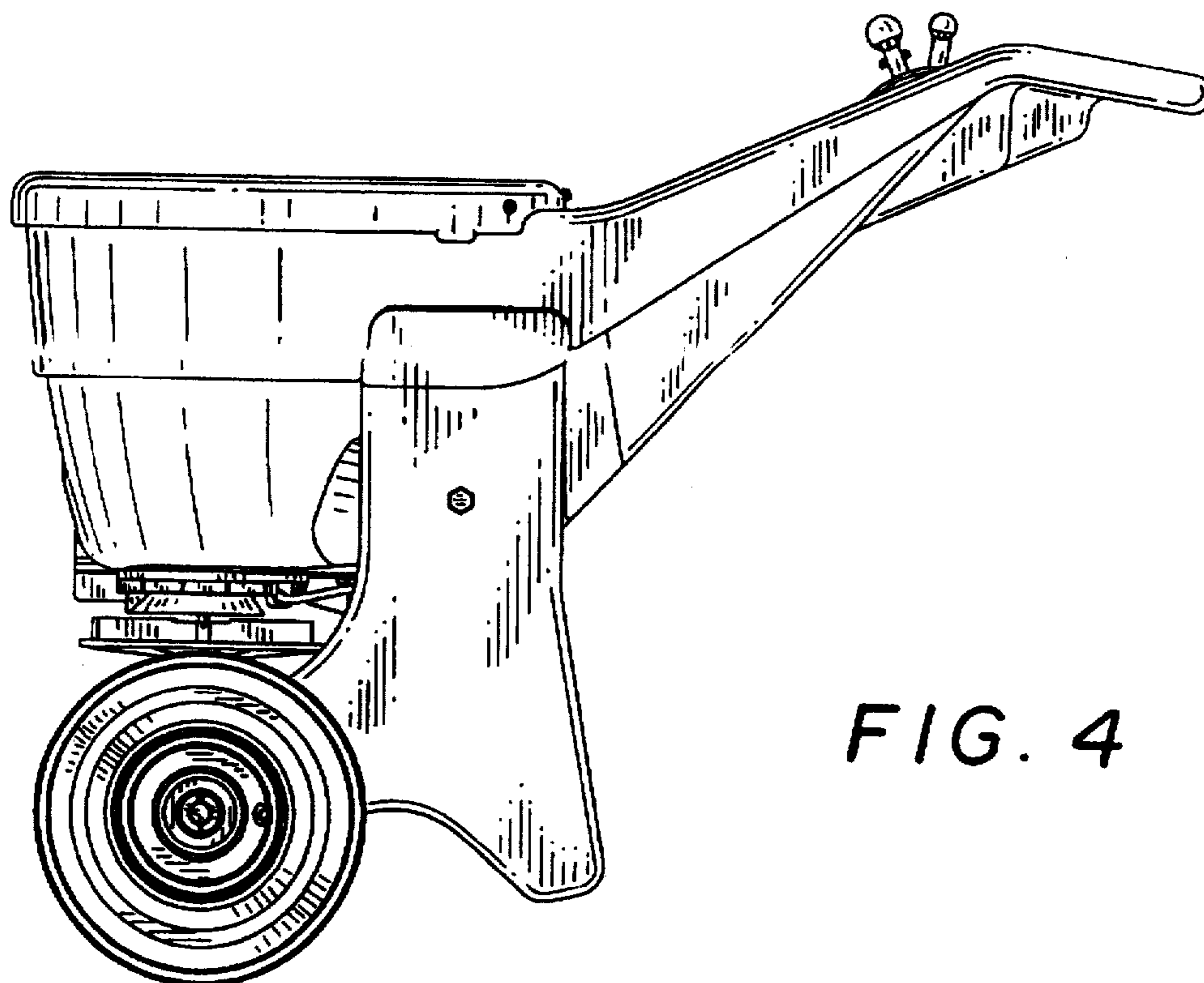
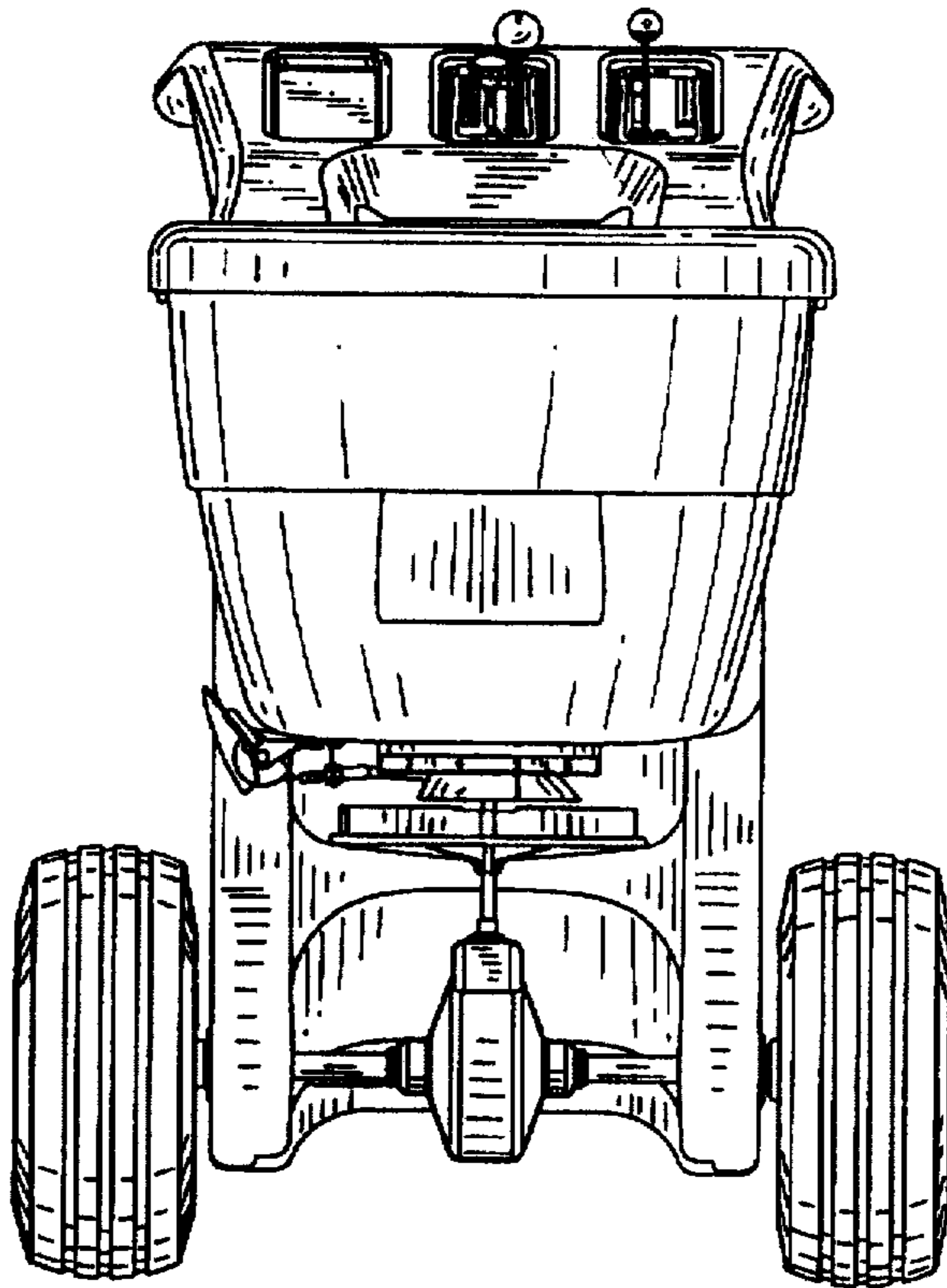
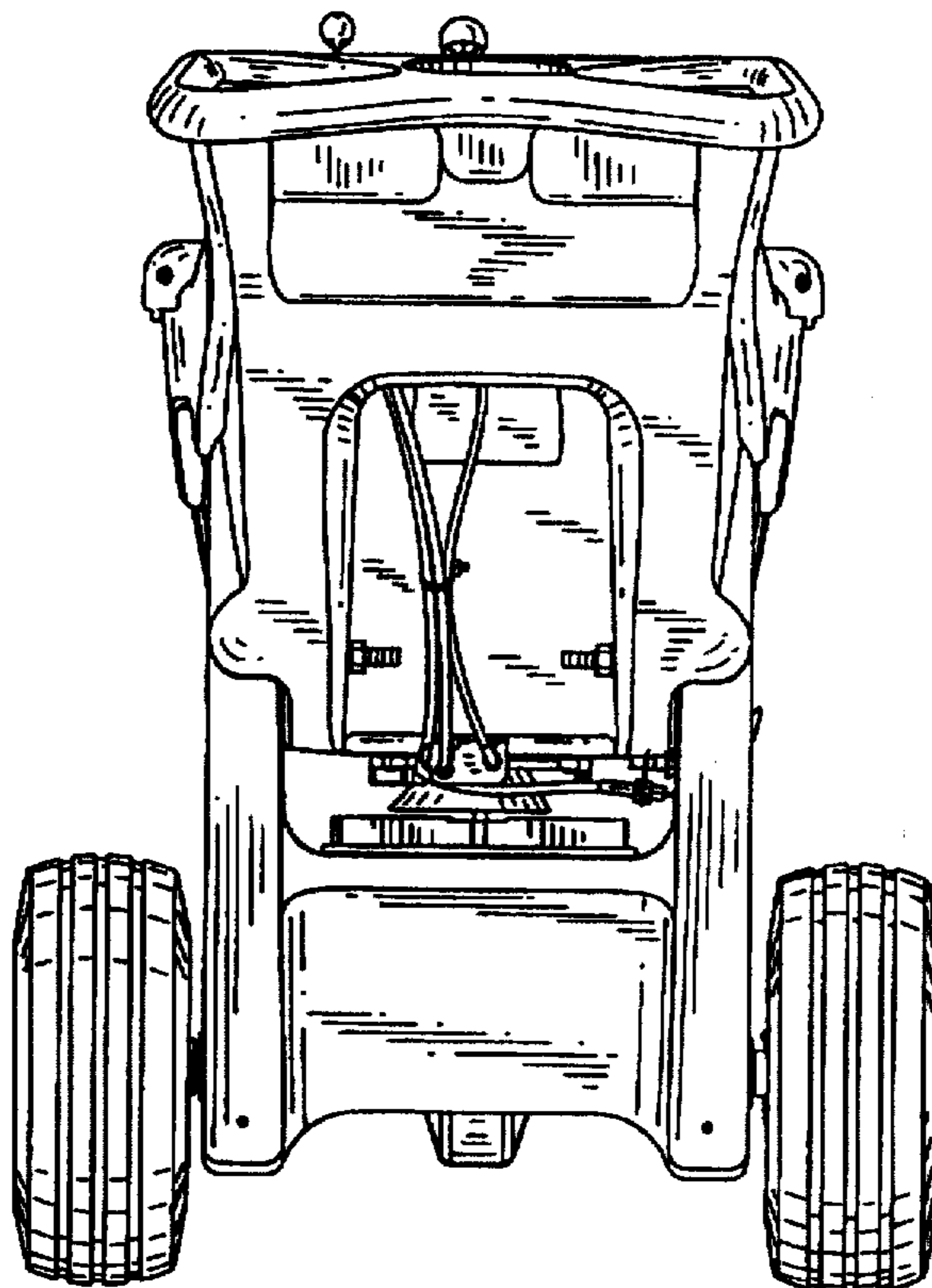


FIG. 4

*FIG. 5*



*FIG. 6*



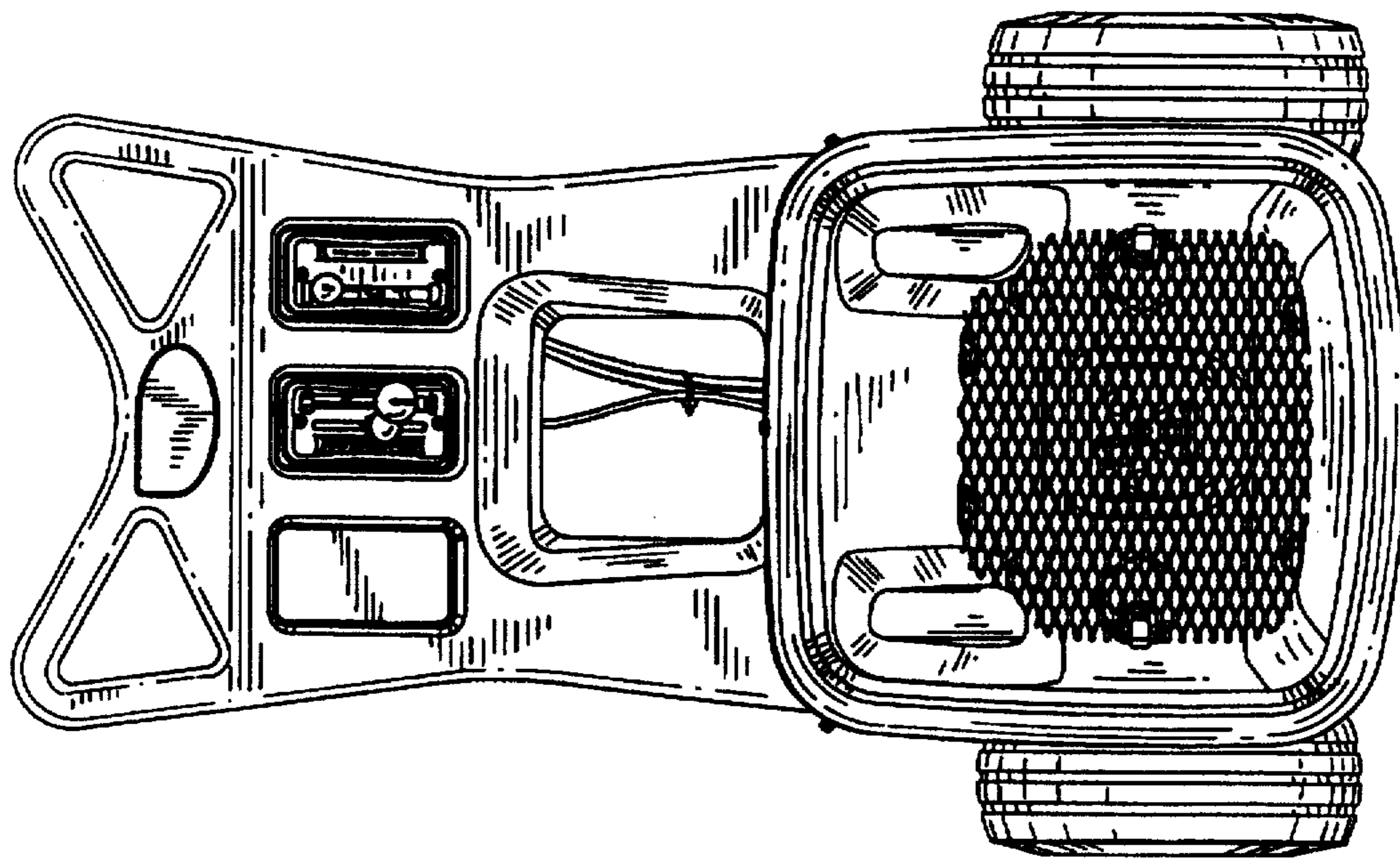


FIG. 7

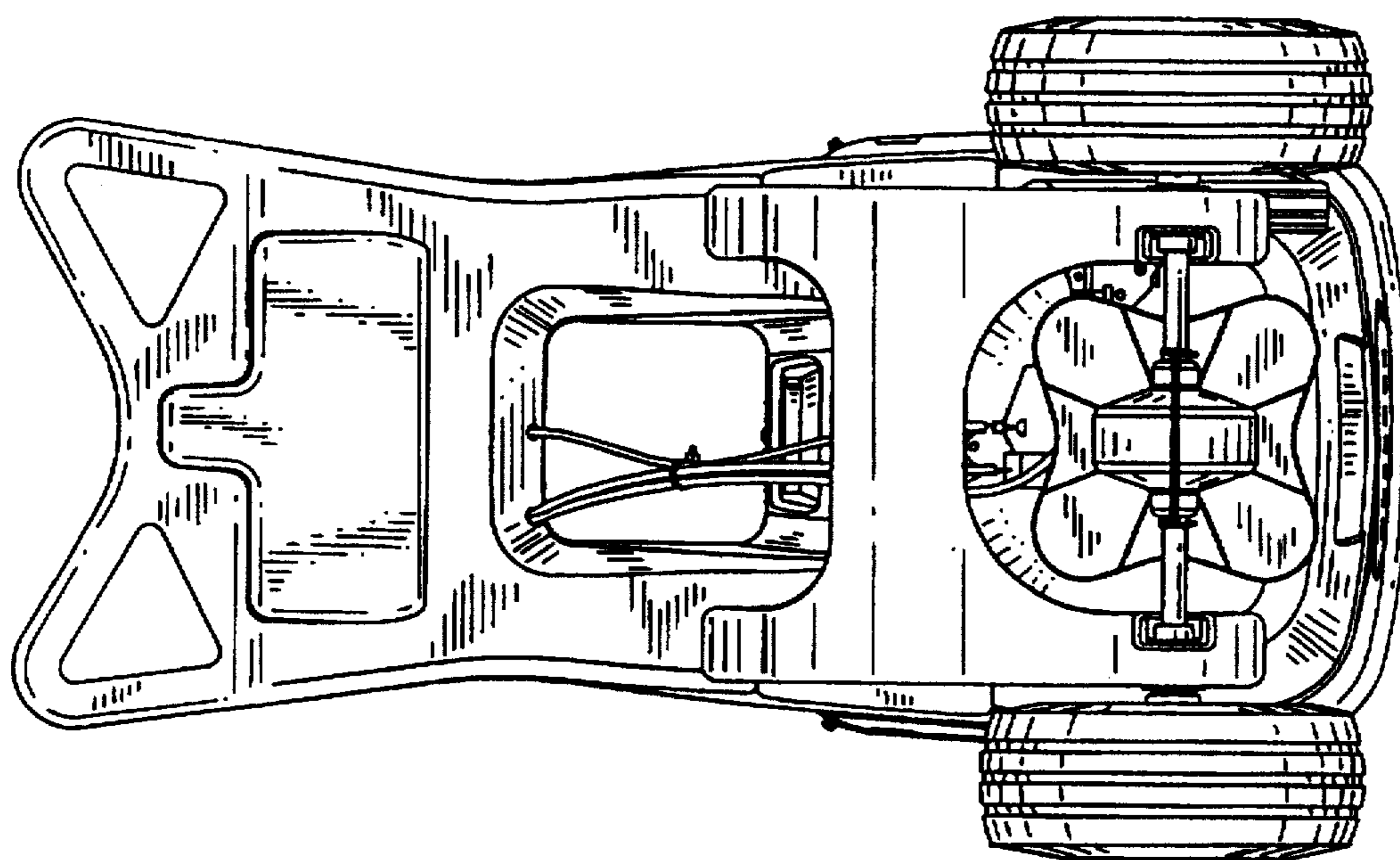


FIG. 8