



US00D384677S

United States Patent [19]

Wunner et al.

[11] Patent Number: **Des. 384,677**

[45] Date of Patent: ****Oct. 7, 1997**

[54] **INTAKE FOR A LIQUID RING VACUUM PUMP**

[75] Inventors: **Charles H. Wunner; T. Michael Wallace**, both of Charlotte, N.C.

[73] Assignee: **Vooner Vacuum Pumps, Inc.**, Charlotte, N.C.

[**] Term: **14 Years**

[21] Appl. No.: **56,238**

[22] Filed: **Jun. 18, 1996**

[51] LOC (6) Cl. **15-02**

[52] U.S. Cl. **D15/7**

[58] Field of Search **D15/7-9.2; 417/68, 417/69, 415, 419**

[56] **References Cited**

U.S. PATENT DOCUMENTS

D. 151,757	11/1948	Harris	D15/7
D. 242,650	12/1976	McKesson	D15/7
D. 294,582	3/1988	Showman	D15/7
D. 314,773	2/1991	Tash et al.	D15/7

Primary Examiner—Ralf Seifert
Attorney, Agent, or Firm—Ralph H. Dougherty

[57] **CLAIM**

The ornamental design for an intake for a liquid ring vacuum pump, as shown and described.

DESCRIPTION

FIG. 1 is a perspective view of an intake for a liquid ring vacuum pump showing our new design;

FIG. 2 is a front elevational view thereof;

FIG. 3 is a top plan view thereof;

FIG. 4 is a left side elevational view thereof the right side being the mirror image;

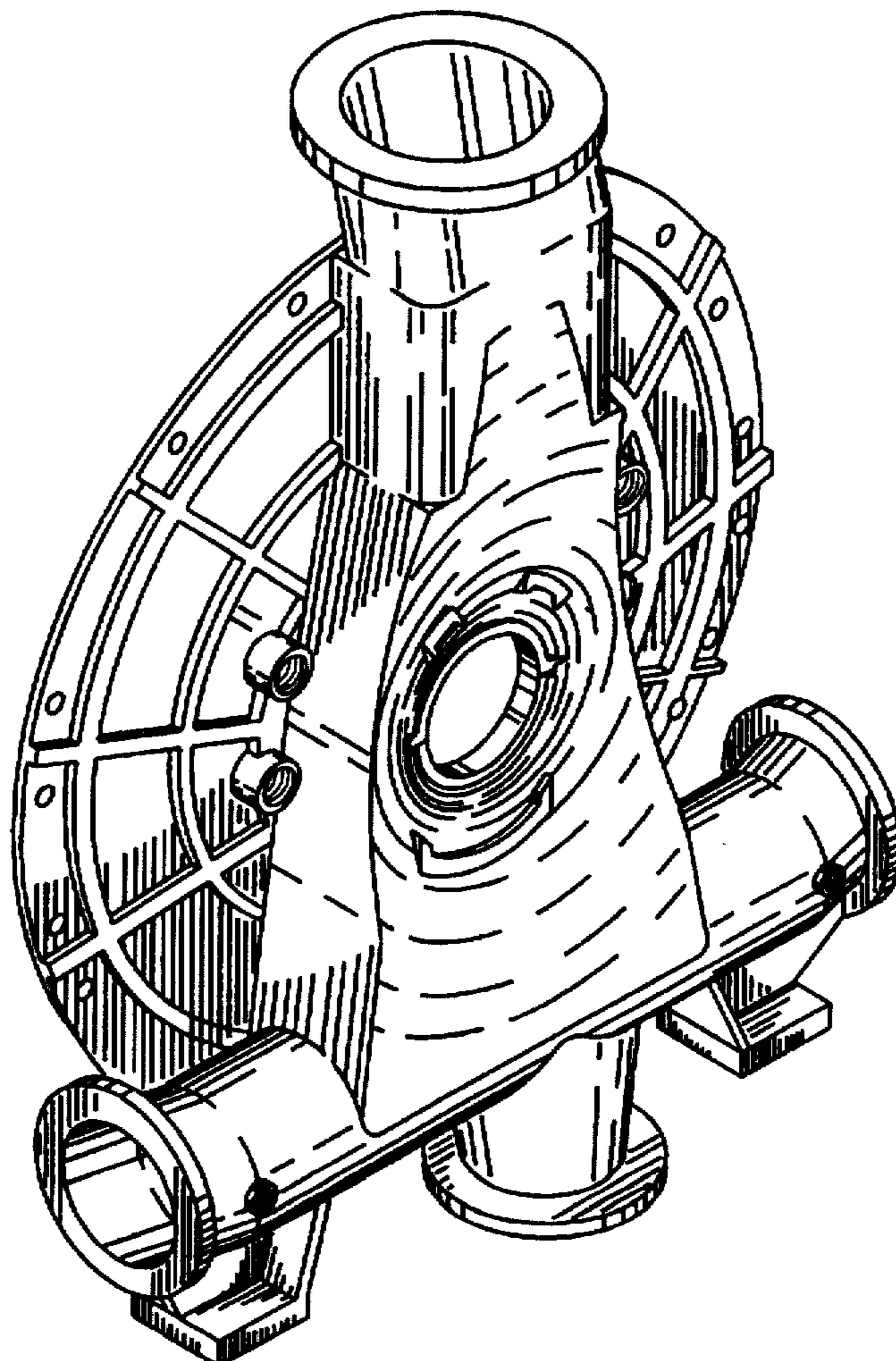
FIG. 5 is a bottom plan view thereof;

FIG. 6 is a front elevational view thereof, the broken line showing of a pump is for illustrative purposes only and forms no part of the claimed design; and,

FIG. 7 is right side elevationl view.

The rear of the intake for a liquid ring vacuum pump forms no part of the claimed design.

1 Claim, 3 Drawing Sheets



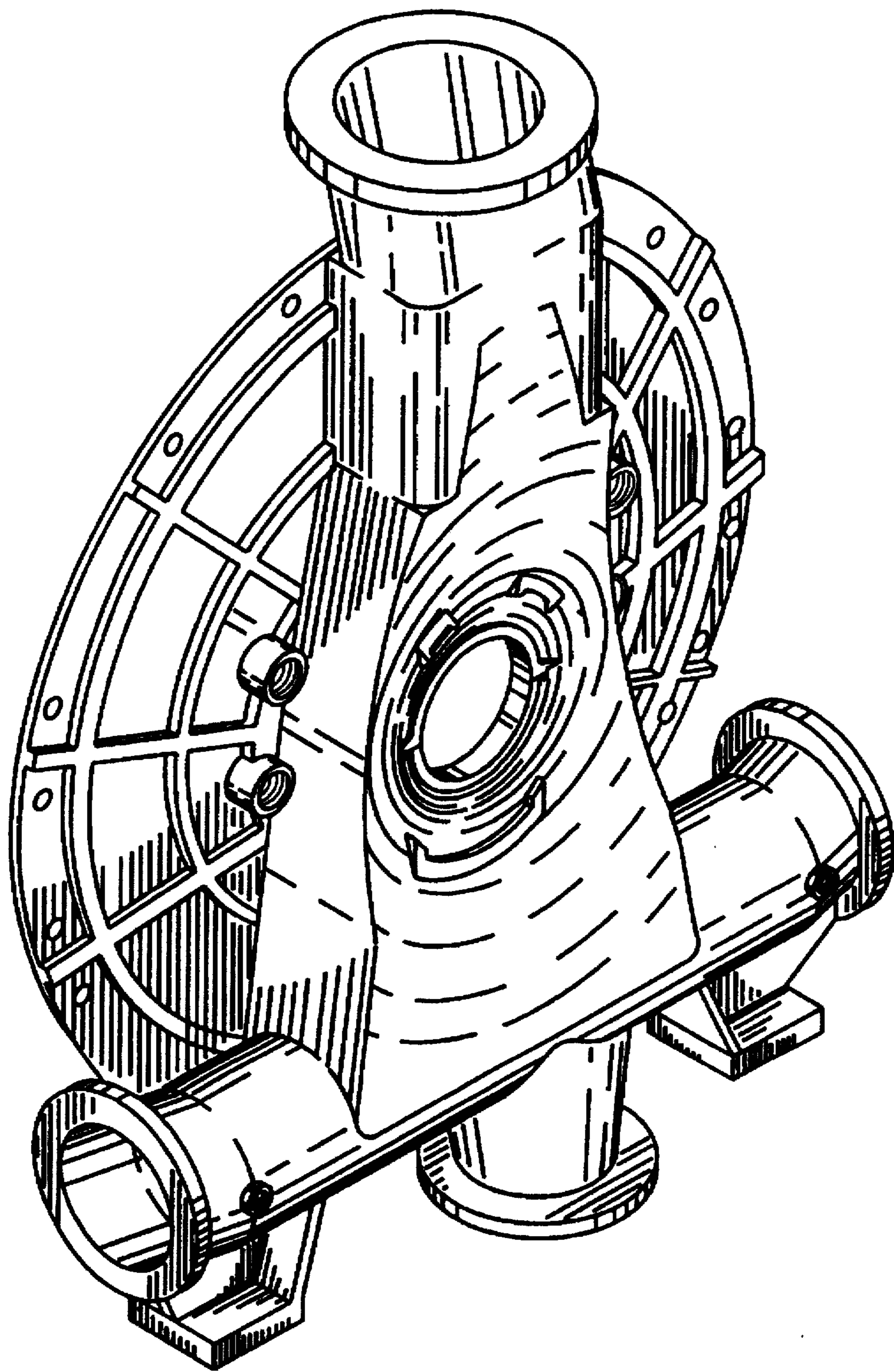


Fig. 1

Fig.3

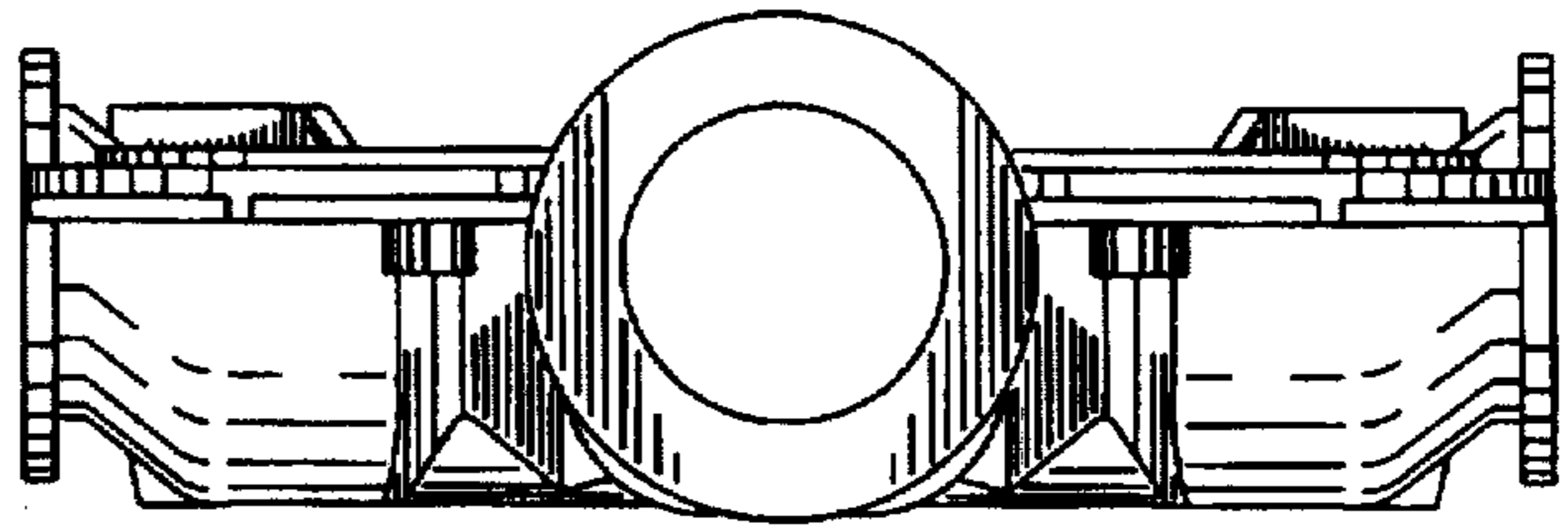


Fig.2

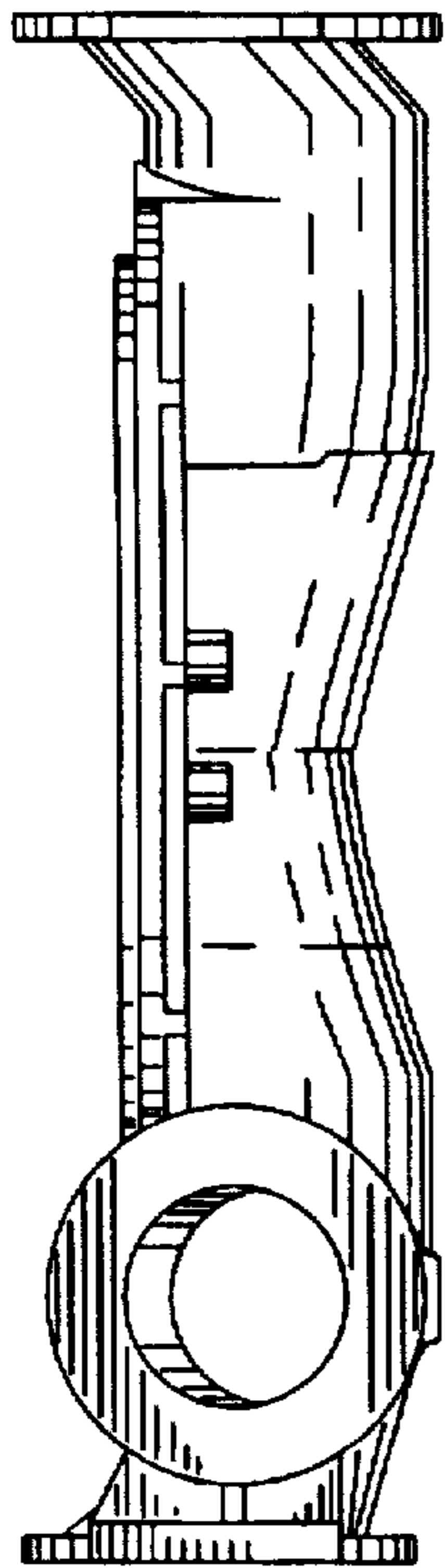
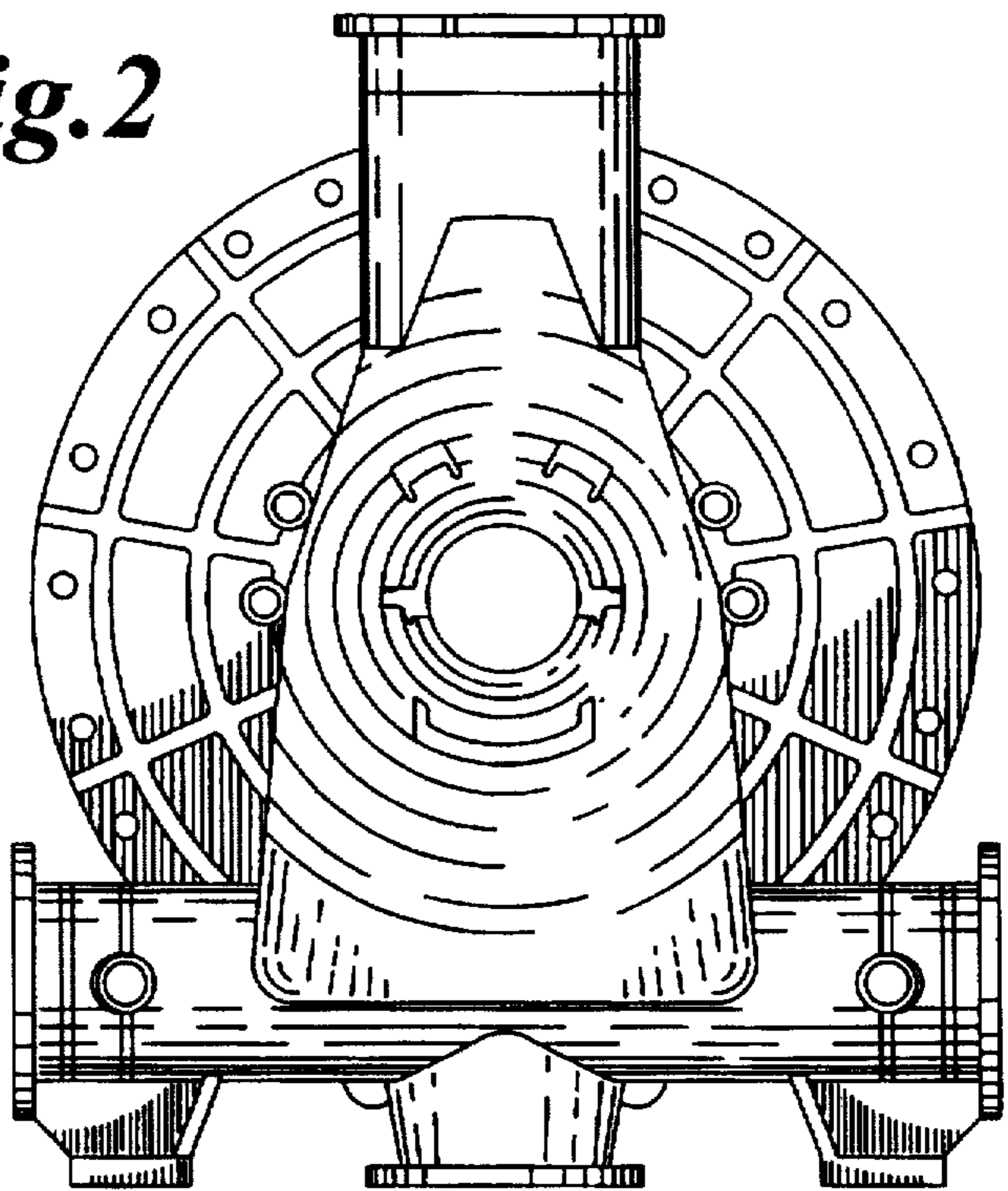


Fig.4

Fig.5

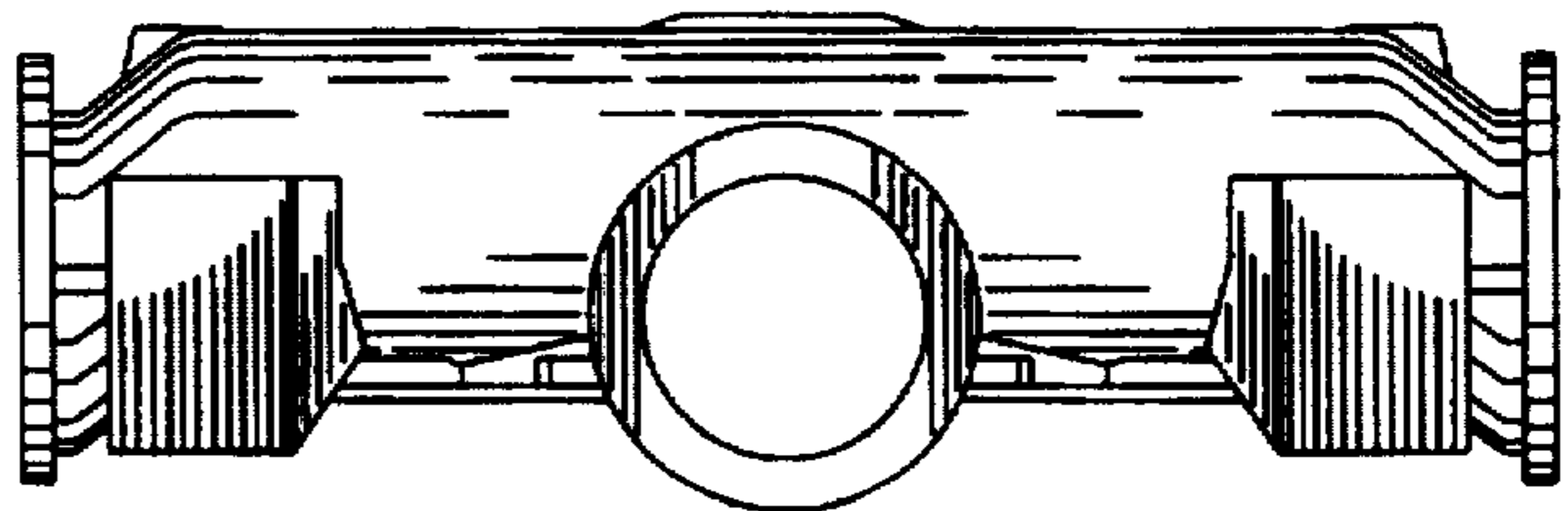


Fig. 6

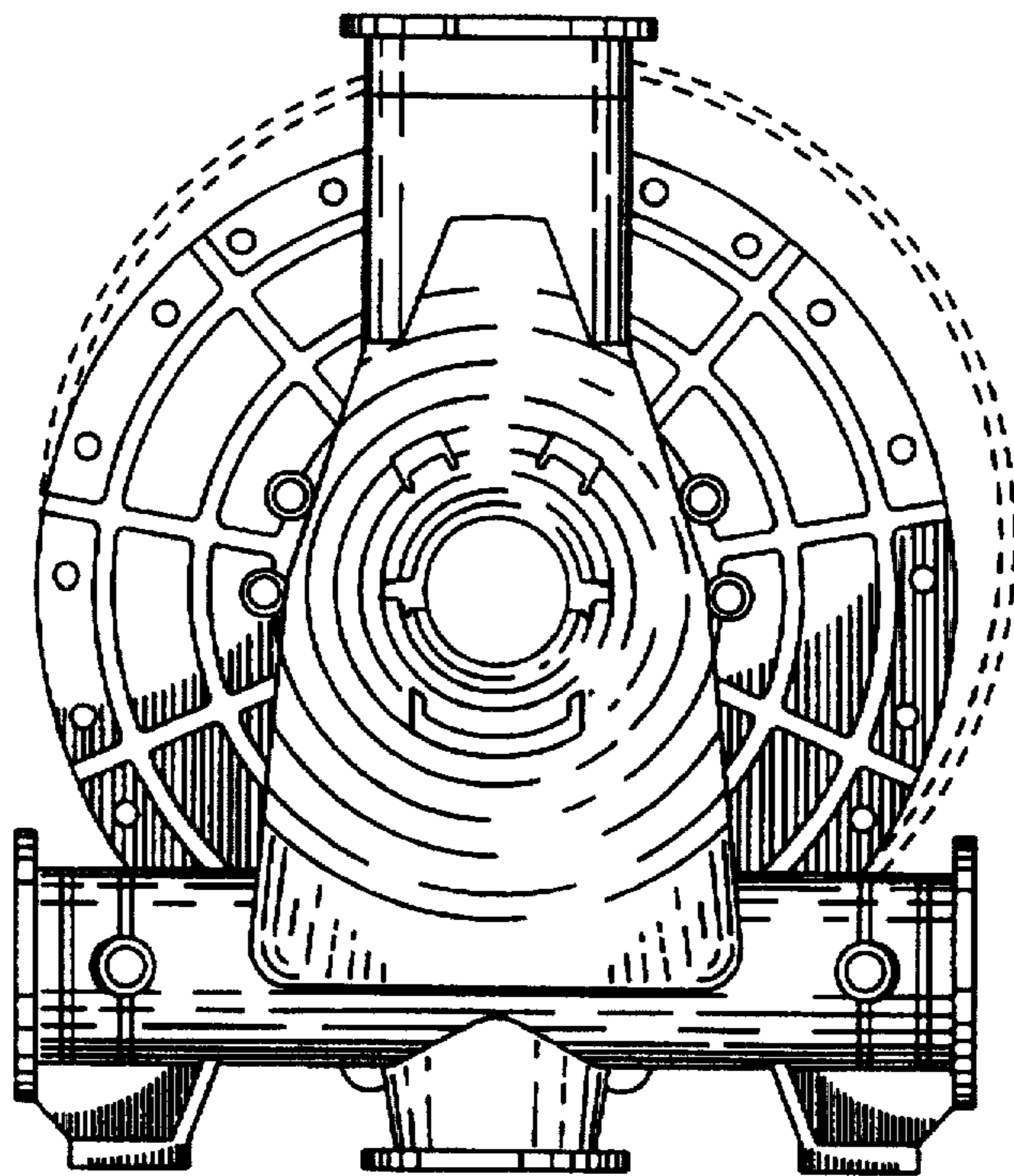


Fig. 7

