



US00D384676S

United States Patent [19]
Cyphers et al.

[11] **Patent Number:** **Des. 384,676**
[45] **Date of Patent:** ****Oct. 7, 1997**

[54] **PISTON PAINT PUMP HOUSING**

4,768,932 9/1988 Geberth, Jr. 417/552
5,073,092 12/1991 Gebauer 417/383

[75] Inventors: **Norman A. Cyphers, Rogers; Frank G. Mirazita, Coon Rapids; Warren J. Walsh, Buffalo, all of Minn.**

OTHER PUBLICATIONS

Graco Instructions—Parts List 308-548, 390sts Airless Paint Sprayer; 1994, Minneapolis, MN.
Glidden Operation Manual and Parts List for Power Pup 4 & 5; Dec. 1993, Moorpark, CA.
Titan Owners Manual 313-006, Epic 440e; 1994 Oakland, NJ.

[73] Assignee: **Wagner Spray Tech Corporation, Minneapolis, Minn.**

[**] Term: **14 Years**

Primary Examiner—Ralf Seifert
Attorney, Agent, or Firm—Faegre & Benson

[21] Appl. No.: **49,811**

[22] Filed: **Feb. 20, 1996**

[51] **LOC (6) Cl.** **15-02**

[52] **U.S. Cl.** **D15/7**

[58] **Field of Search** D15/7-9.1; 417/127, 417/305, 552, 383, 234, 572; 366/605; 401/41, 48, 146, 147, 203-204, 207, 218-219

[57] **CLAIM**

The ornamental design for a piston paint pump housing, as shown.

DESCRIPTION

FIG. 1 is a perspective view of the piston paint pump housing of the present invention;
FIG. 2 is a front elevation view thereof;
FIG. 3 is a rear elevation view thereof;
FIG. 4 is a left side elevation view thereof;
FIG. 5 is a right side elevation view thereof;
FIG. 6 is a top view thereof; and,
FIG. 7 is a bottom view thereof.

[56] **References Cited**

U.S. PATENT DOCUMENTS

D. 294,147	2/1988	Charney et al.	D15/7
D. 338,208	8/1993	Reents et al.	D15/9
D. 340,724	10/1993	Mariol	D15/7
D. 340,727	10/1993	Anderson et al.	D15/7
3,317,141	5/1967	Mann	239/127
4,639,156	1/1987	Stern et al.	401/146
4,768,929	9/1988	Geberth, Jr.	417/305

1 Claim, 7 Drawing Sheets

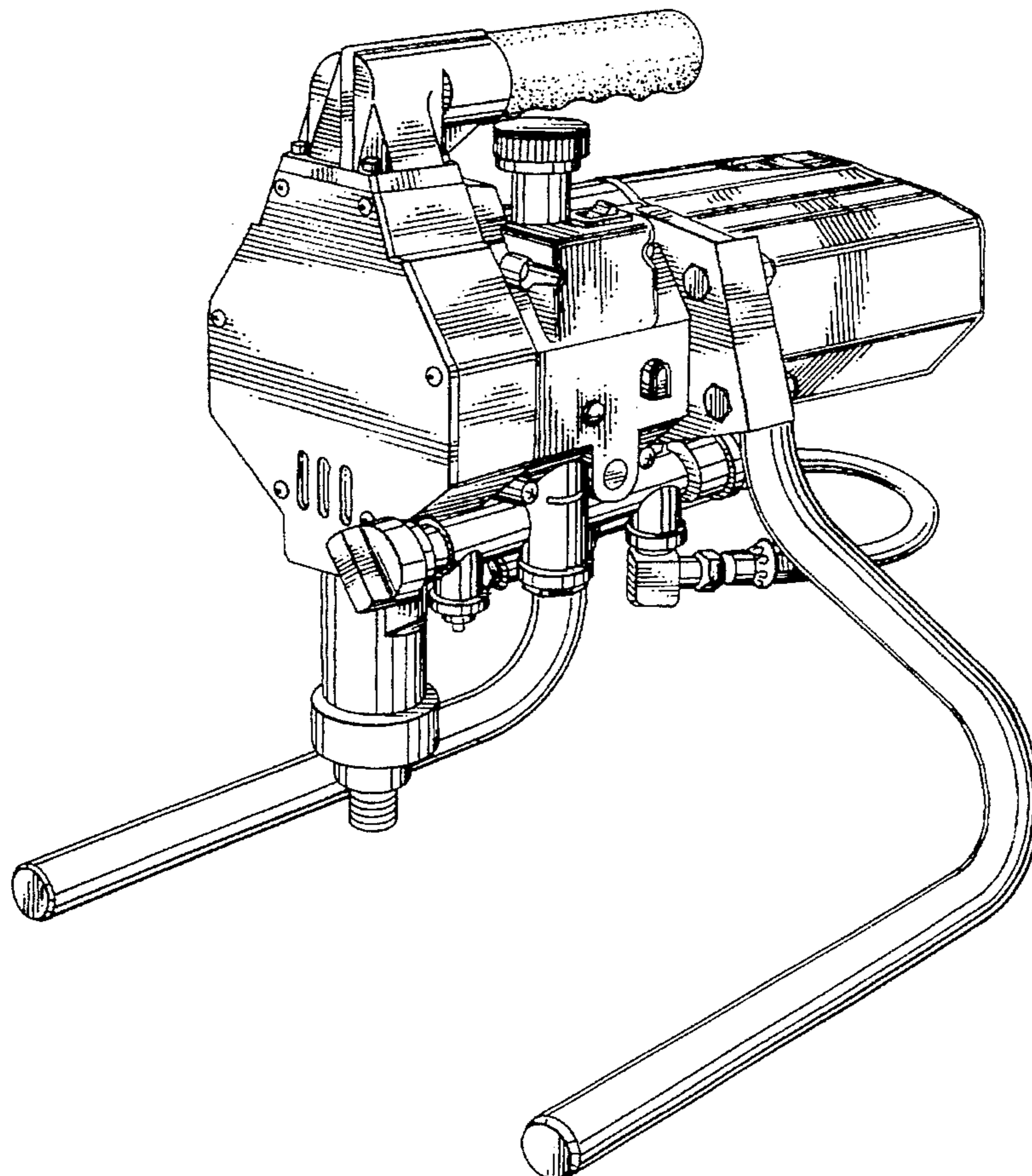


Fig. 1

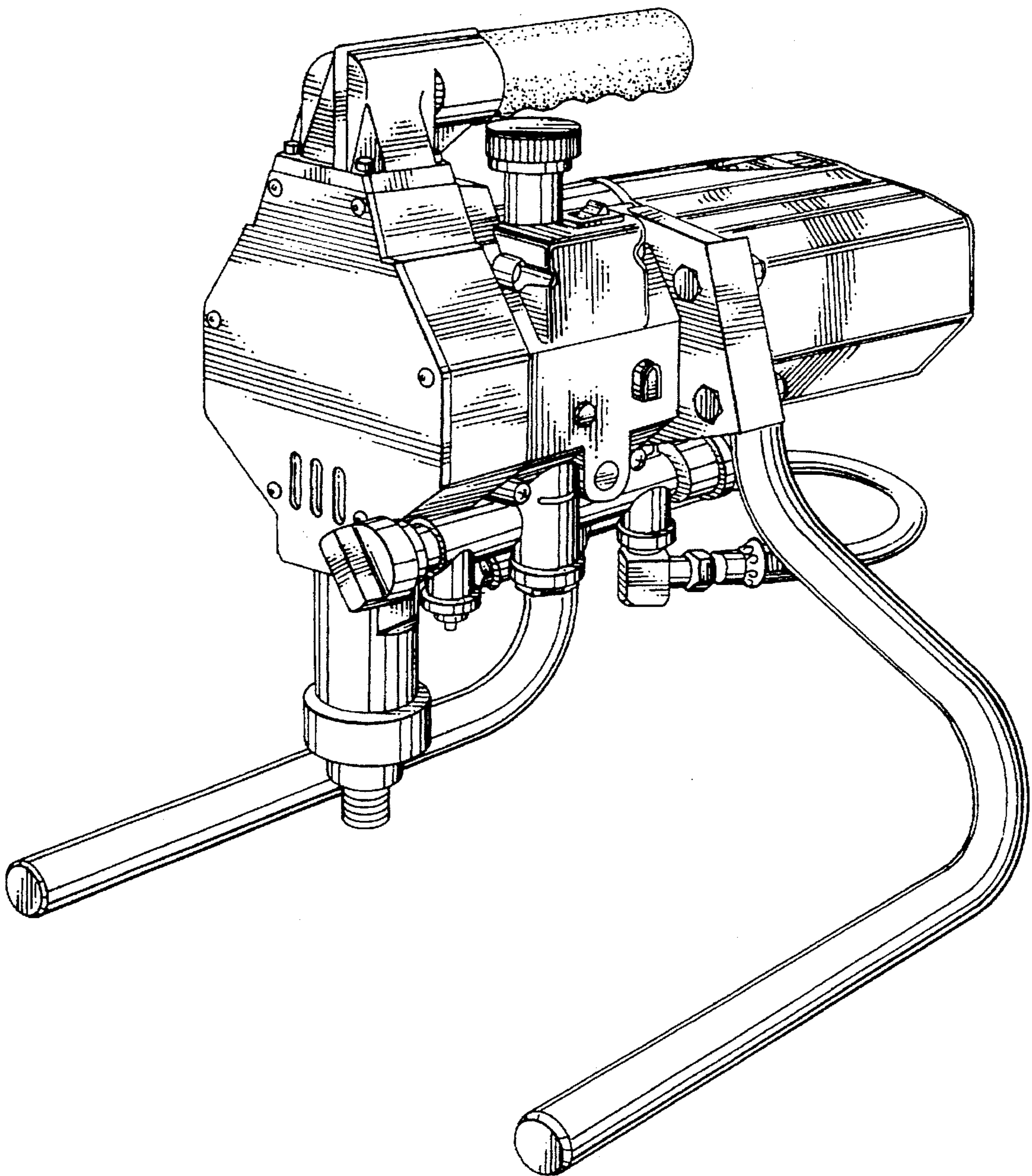


Fig. 2

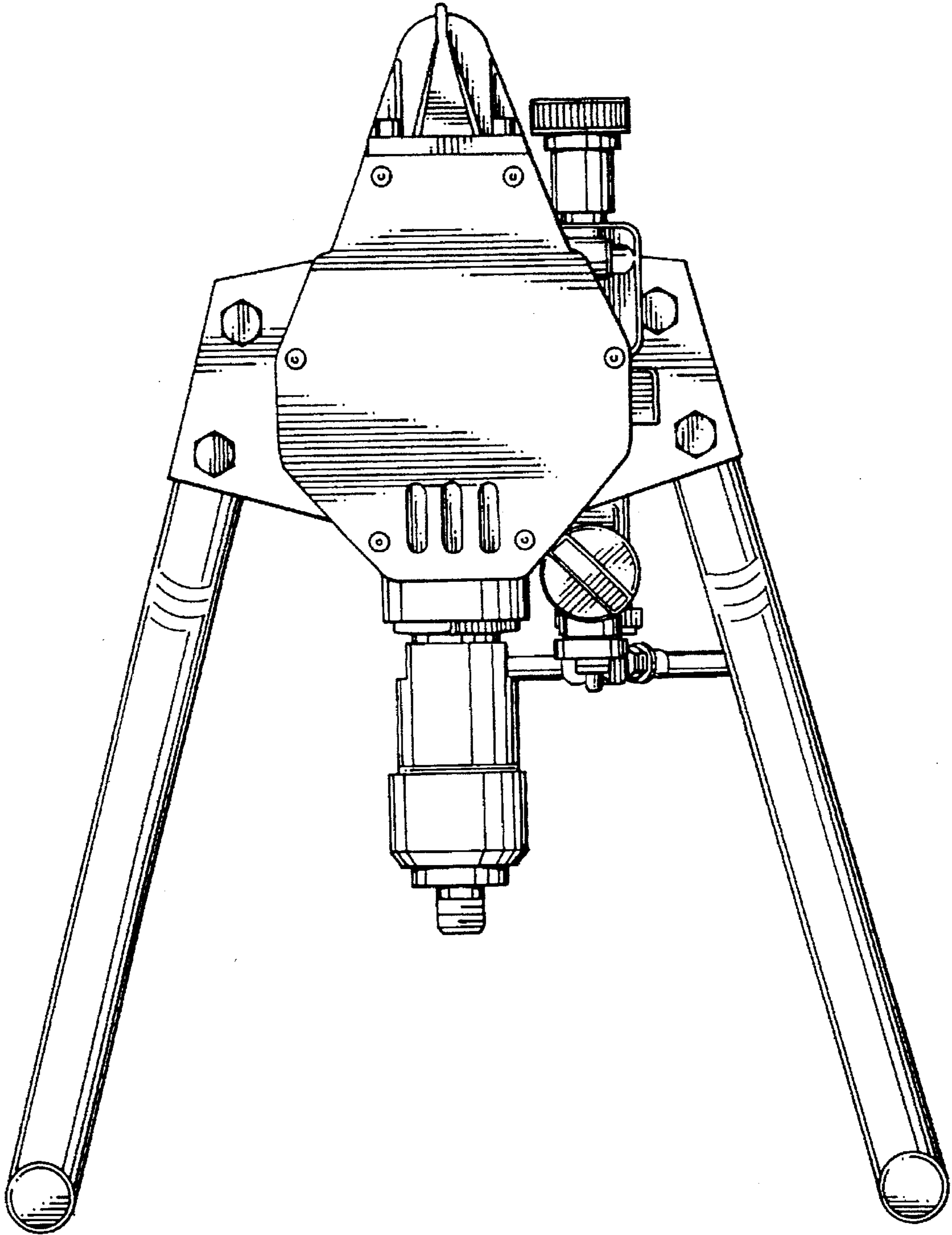


Fig. 3

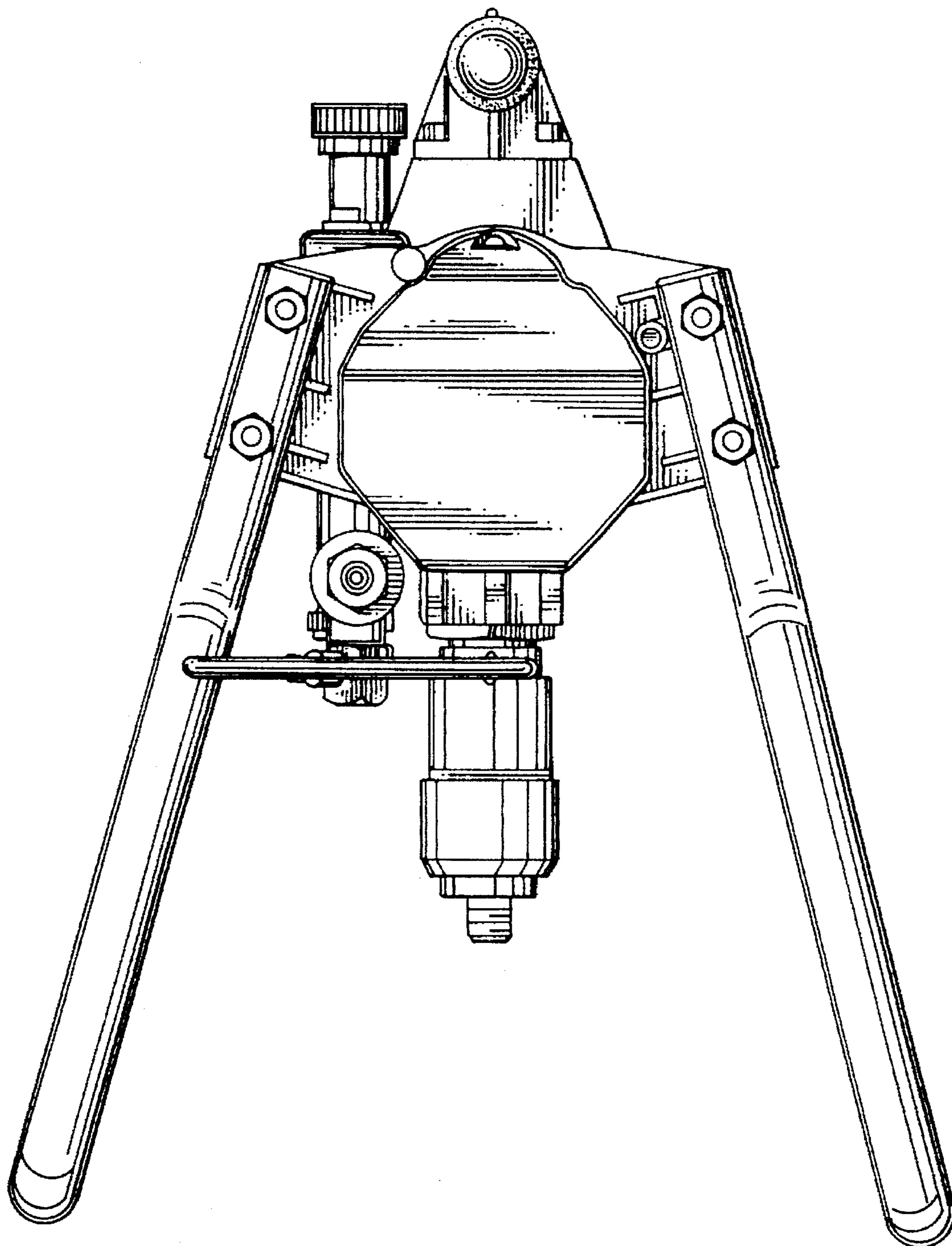


Fig. 4

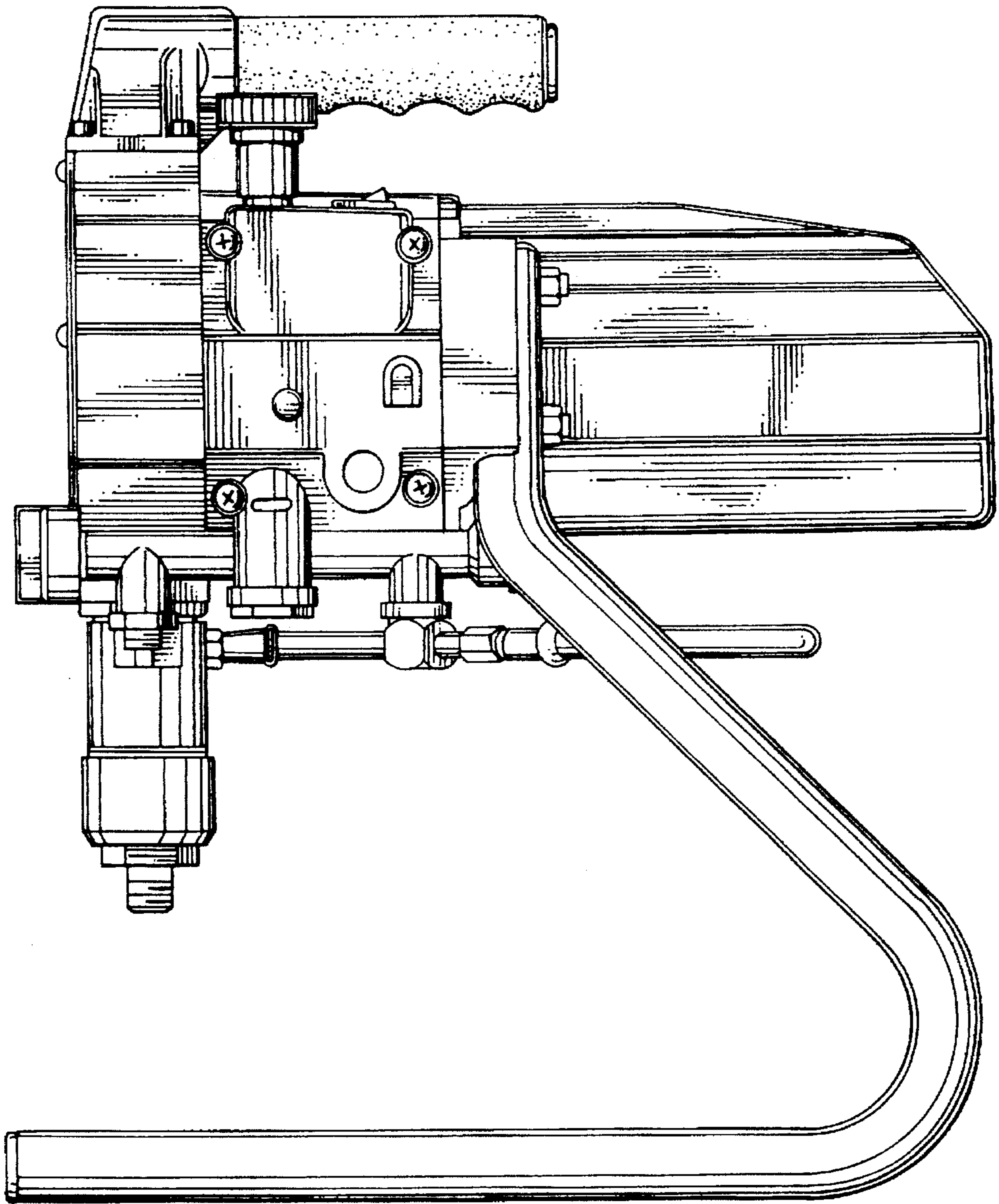


Fig. 5

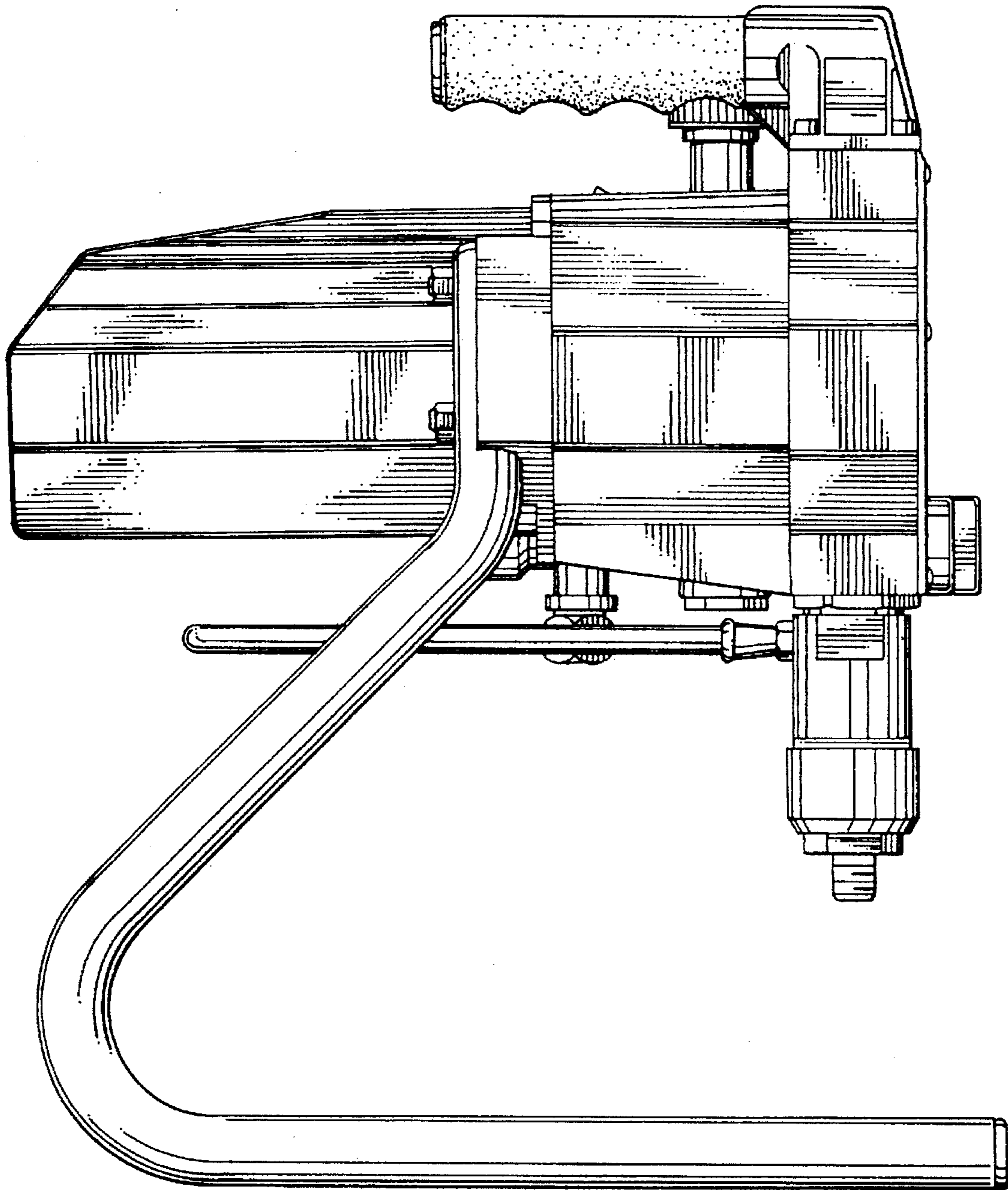


Fig. 6

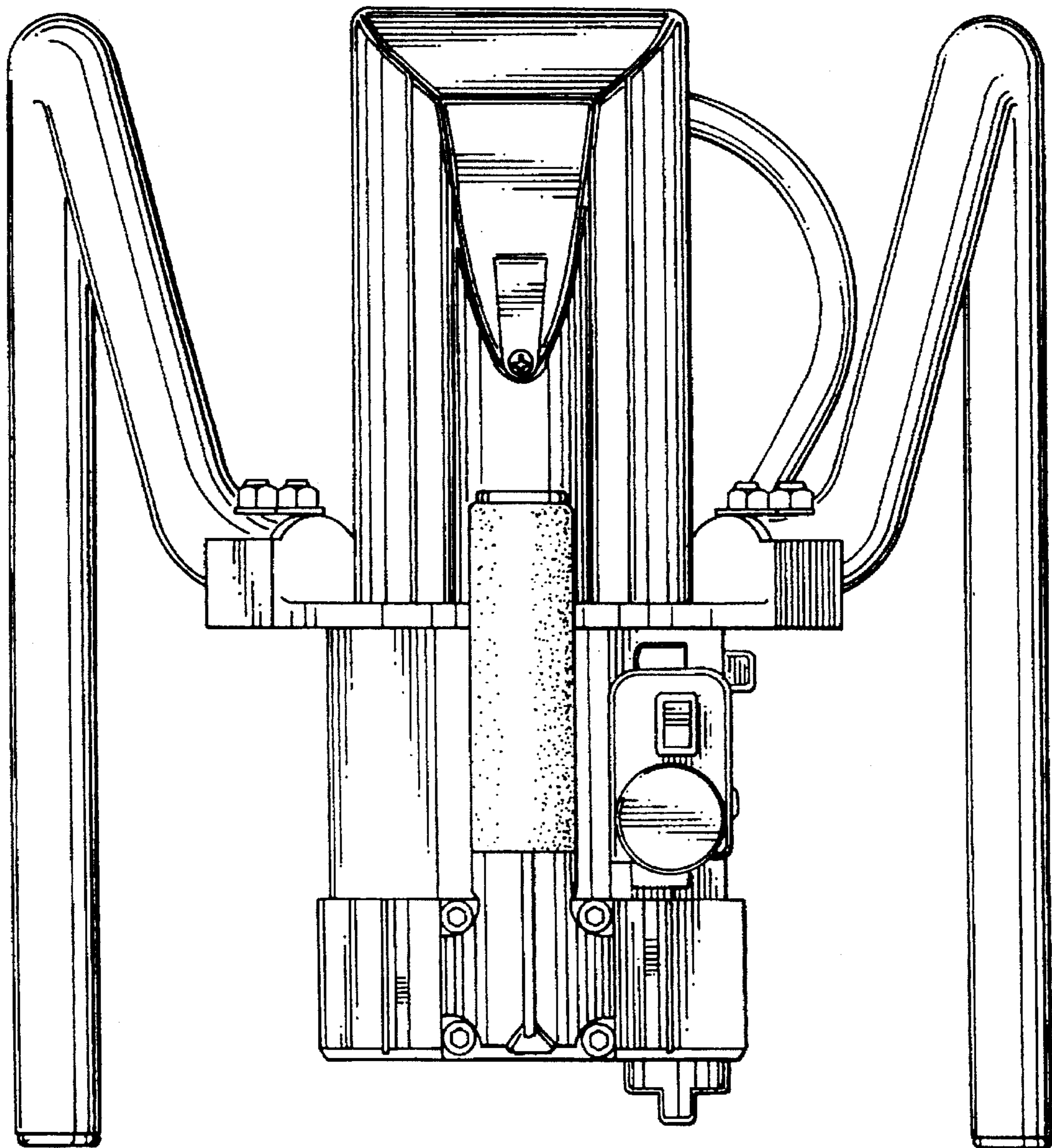


Fig. 7

