

US00D384674S

United States Patent [19]

[11] Patent Number: **Des. 384,674**

Grolle et al.

[45] Date of Patent: ****Oct. 7, 1997**

[54] **HYDRAULIC PUMP UNIT**

[75] Inventors: **Paul Robert Grolle**, Oldenzaal;
Johannes Blikman, Glanerbrug, both of
Netherlands

[73] Assignee: **Applied Power Inc.**, Butler, Wis.

[**] Term: **14 Years**

[21] Appl. No.: **42,439**

[22] Filed: **Aug. 10, 1995**

[30] **Foreign Application Priority Data**

- Feb. 13, 1995 [WO] WIPO DM/032099
- [51] LOC (6) Cl. **15-02**
- [52] U.S. Cl. **D15/7**
- [58] Field of Search **D15/7-9.1; 417/234,**
417/423 R, 415, 410.3

[56] **References Cited**

U.S. PATENT DOCUMENTS

- D. 210,327 2/1968 Cropper et al. D15/7
- D. 262,114 12/1981 Rowlands D15/7
- D. 373,366 9/1996 Wada et al. D15/7
- 2,739,537 3/1956 Sadler et al. 417/234 X

OTHER PUBLICATIONS

Applicant's Exhibit 1, 2-page brochure entitled "Power-pac™ Pumps Self-Contained Motor, Pump and Reservoir Units", No. PPE9202-E212, of Applied Power Inc., undated, admitted prior art.

Applicant's Exhibit 2, 2-page brochure entitled "Power-pac™ Pumps Self-Contained Motor, Pump and Reservoir Units", No. PPE9203/E225, of Applied Power Inc., undated, admitted prior art.

Applicant's Exhibit 3, 4-page brochure entitled "Power-Packer® Electro Hydraulic Cabin Tilting", of Applied Power Inc., undated, admitted prior art.

Primary Examiner—Ralf Seifert
Attorney, Agent, or Firm—Quarles & Brady

[57] **CLAIM**

The ornamental design for a hydraulic pump unit, as shown and described.

DESCRIPTION

FIG. 1 is a perspective view of the hydraulic pump unit showing my novel design;

FIG. 2 is a top plan view of the hydraulic pump unit;

FIG. 3 is a left side view thereof;

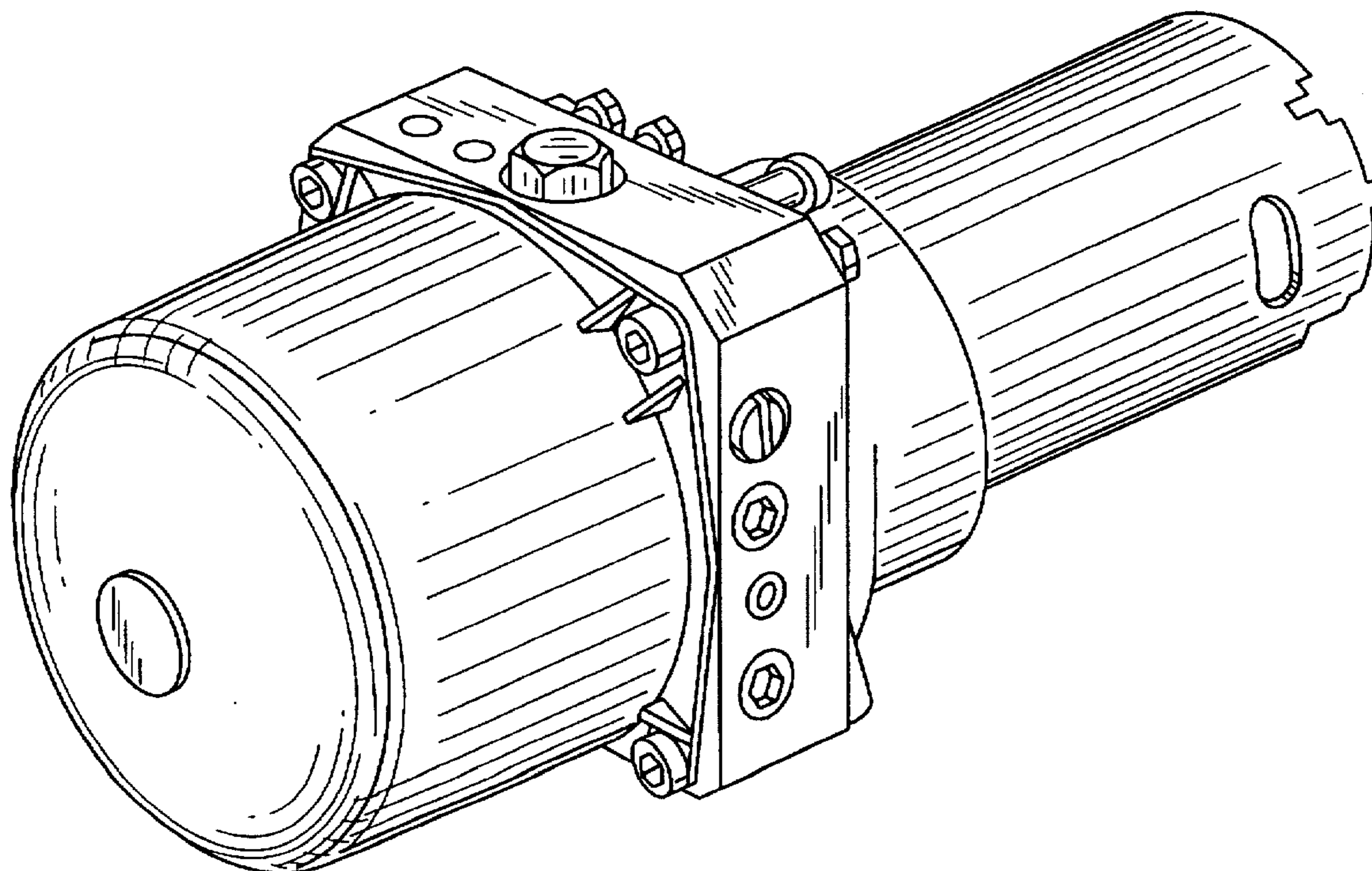
FIG. 4 is a right side view thereof;

FIG. 5 is a bottom view thereof;

FIG. 6 is a front view thereof; and,

FIG. 7 is a rear view thereof.

1 Claim, 3 Drawing Sheets



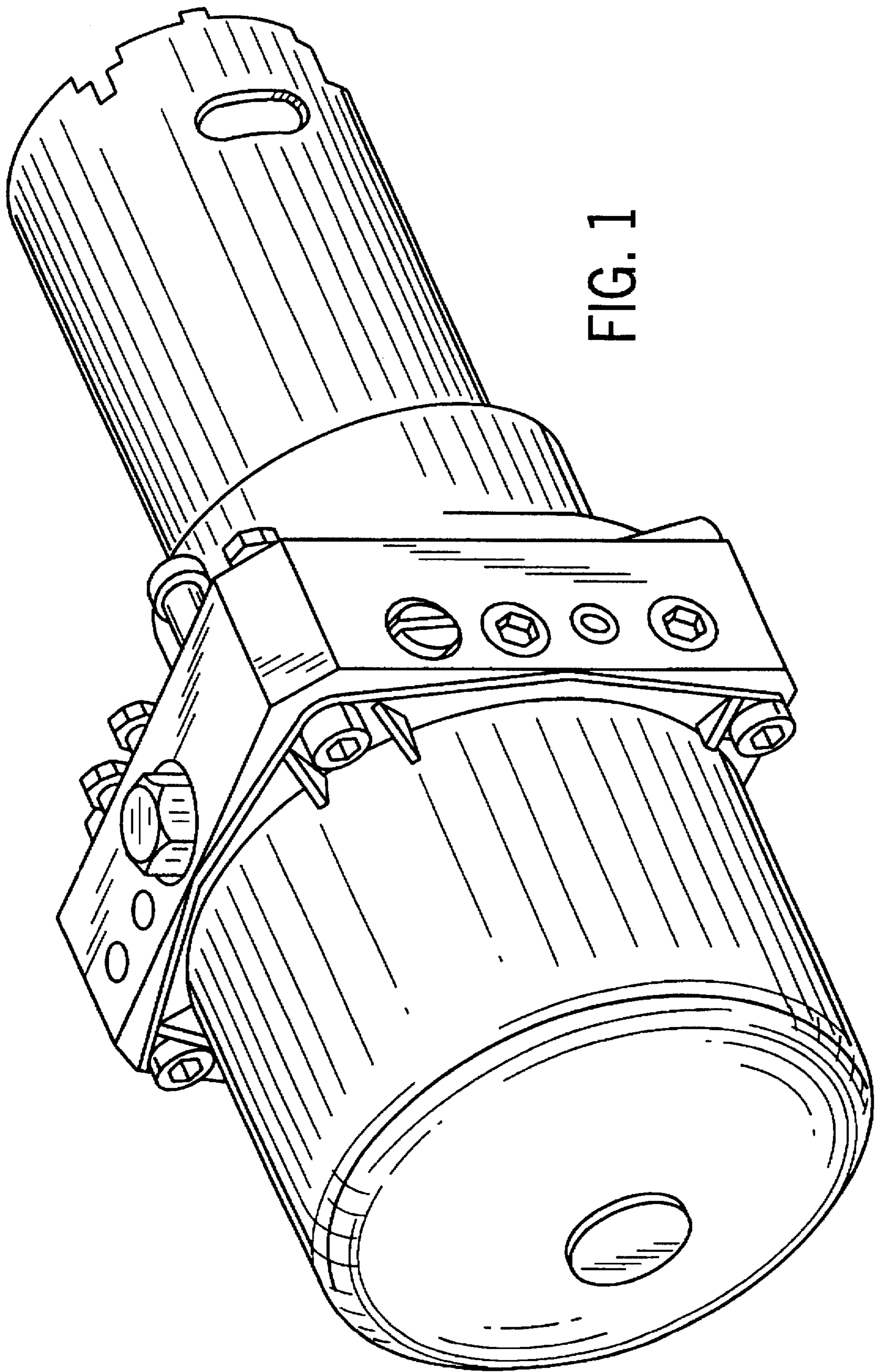


FIG. 1

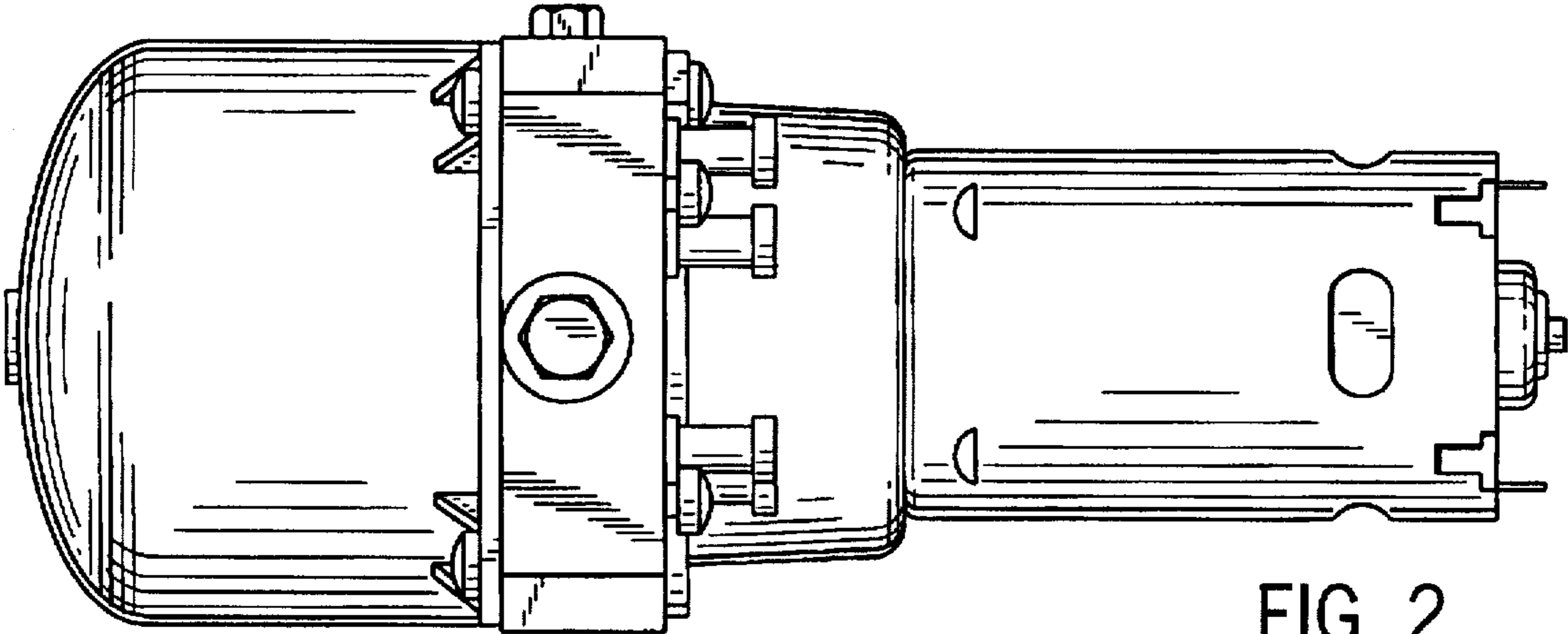


FIG. 2

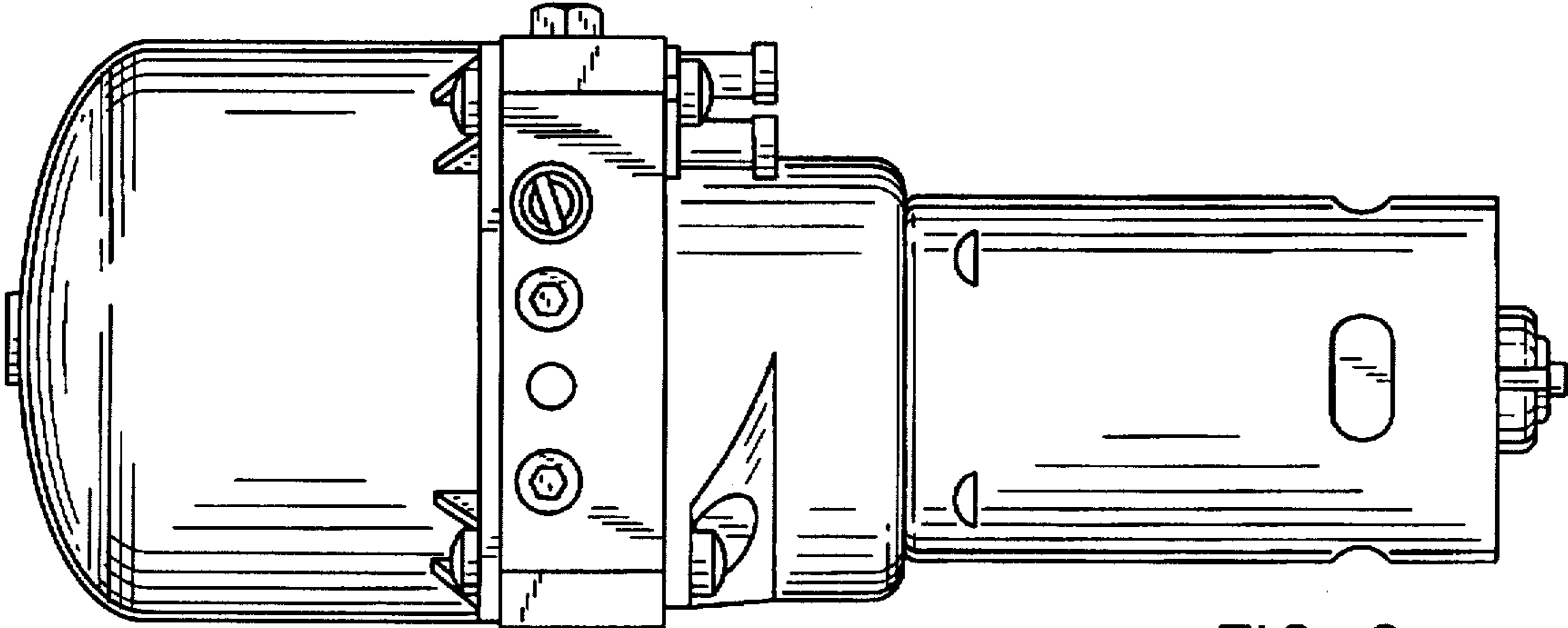


FIG. 3

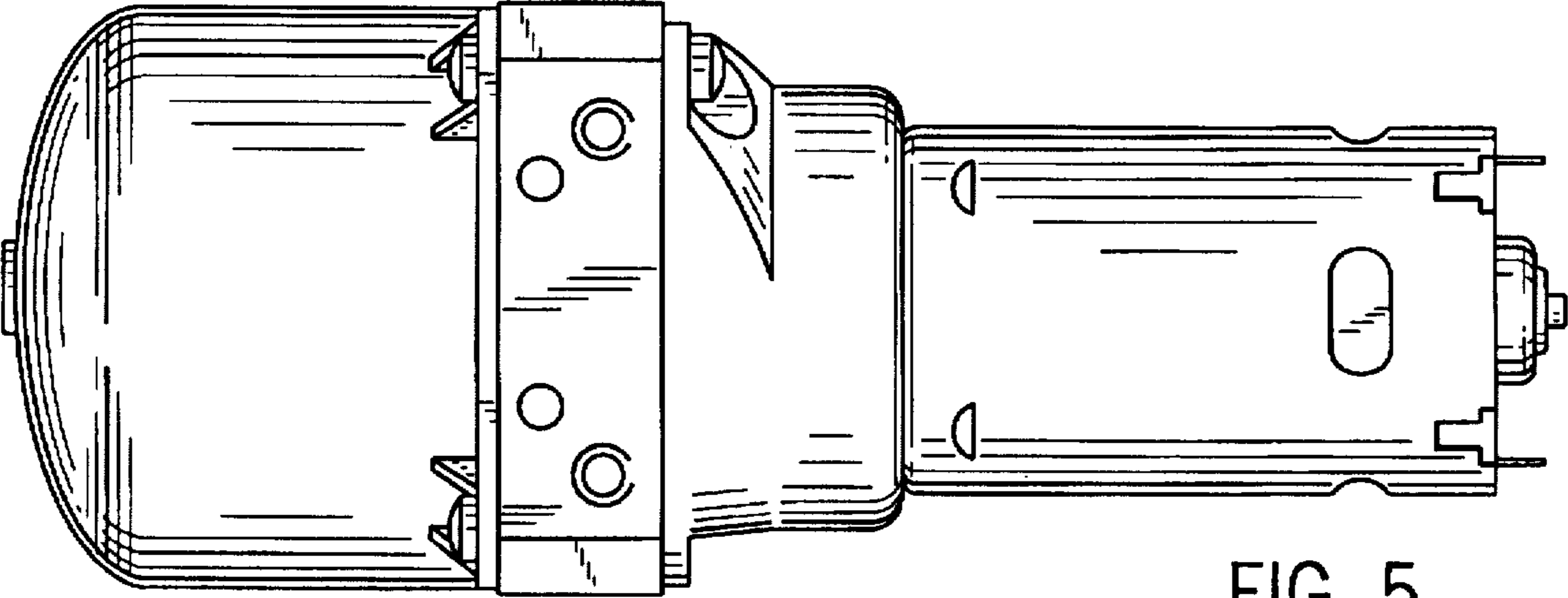


FIG. 5

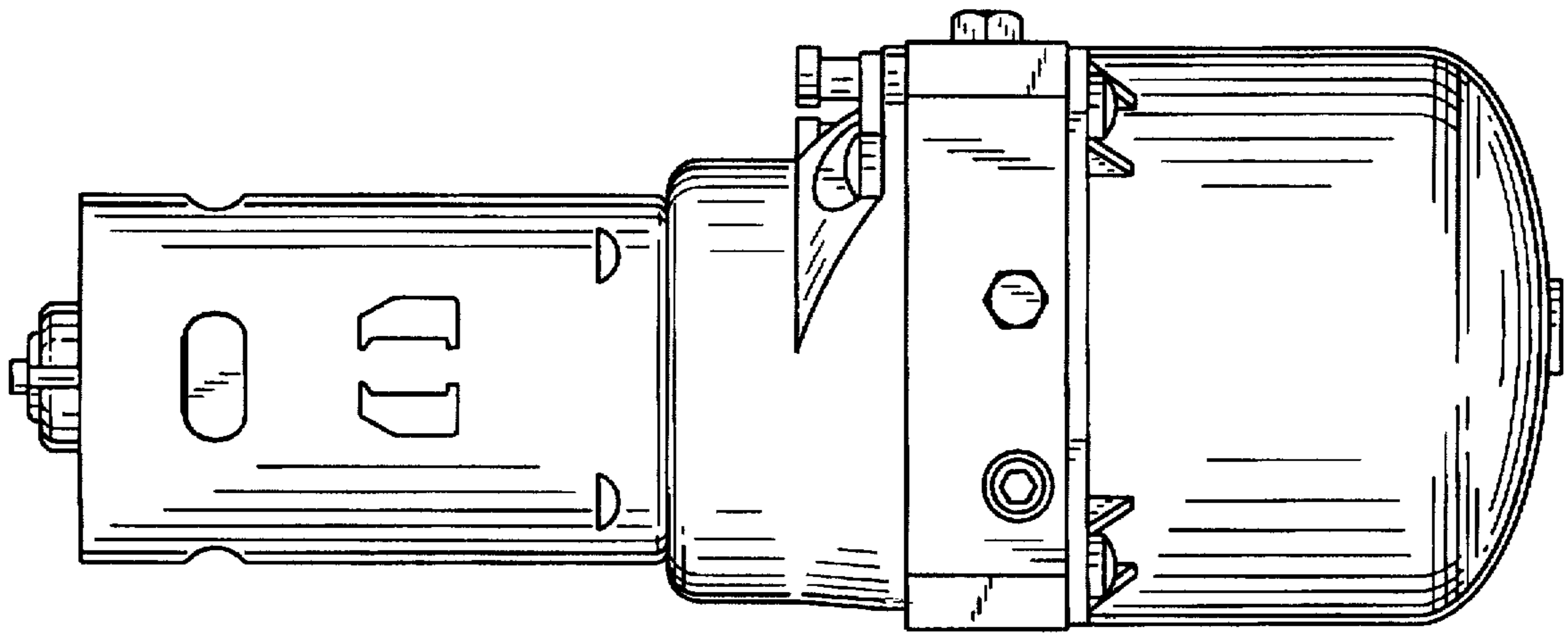


FIG. 4

FIG. 6

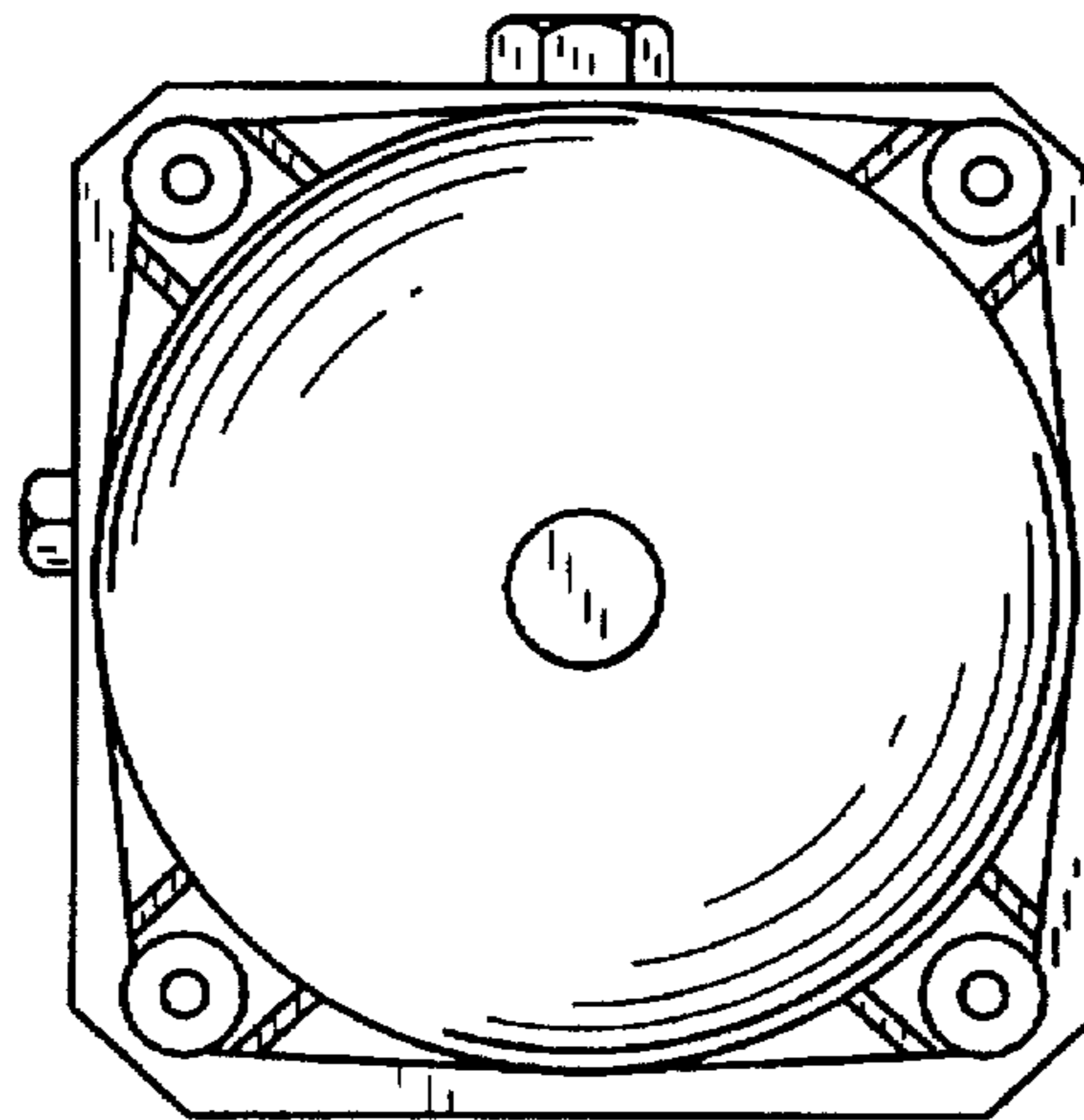


FIG. 7

