

US00D384671S

United States Patent [19]
Smith

[11] **Patent Number:** **Des. 384,671**
[45] **Date of Patent:** ****Oct. 7, 1997**

[54] **EXTERIOR SURFACE OF AN ENVIRONMENTALLY SEALED TELEPHONE TERMINAL MODULE**

[76] **Inventor:** **Thomas J. Smith**, 1722 Anharoken Blvd., Bay Shore, N.Y. 11706

[*] **Notice:** The portion of the term of this patent subsequent to Oct. 7, 2011, has been disclaimed.

[**] **Term:** **14 Years**

[21] **Appl. No.:** **49,929**

[22] **Filed:** **Feb. 5, 1996**

Related U.S. Application Data

[63] Continuation of Ser. No. 847,208, Mar. 9, 1992, abandoned.

[51] **LOC (6) Cl.** **14-03**

[52] **U.S. Cl.** **D14/240**

[58] **Field of Search** D14/140, 240; D13/134, 146, 133, 152; 379/399, 412, 442; 439/133, 144, 345, 367, 490, 660, 912, 277; 174/60

[56] **References Cited**

U.S. PATENT DOCUMENTS

D. 291,081 7/1987 Mickelson et al. D14/240
D. 311,723 10/1990 Eggleston et al. D13/184 X

D. 347,229 5/1994 Smith D14/240
D. 353,380 12/1994 Baum et al. D14/240
D. 365,326 12/1995 Starec et al. D13/152 X
4,588,238 5/1986 Mickelson et al. D13/146 X
4,979,209 12/1990 Collins et al. 379/399
5,153,910 10/1992 Mickelson et al. 379/412 X
5,291,553 3/1994 Smith 379/399

Primary Examiner—Jeffrey Asch
Attorney, Agent, or Firm—Martin Sachs

[57] **CLAIM**

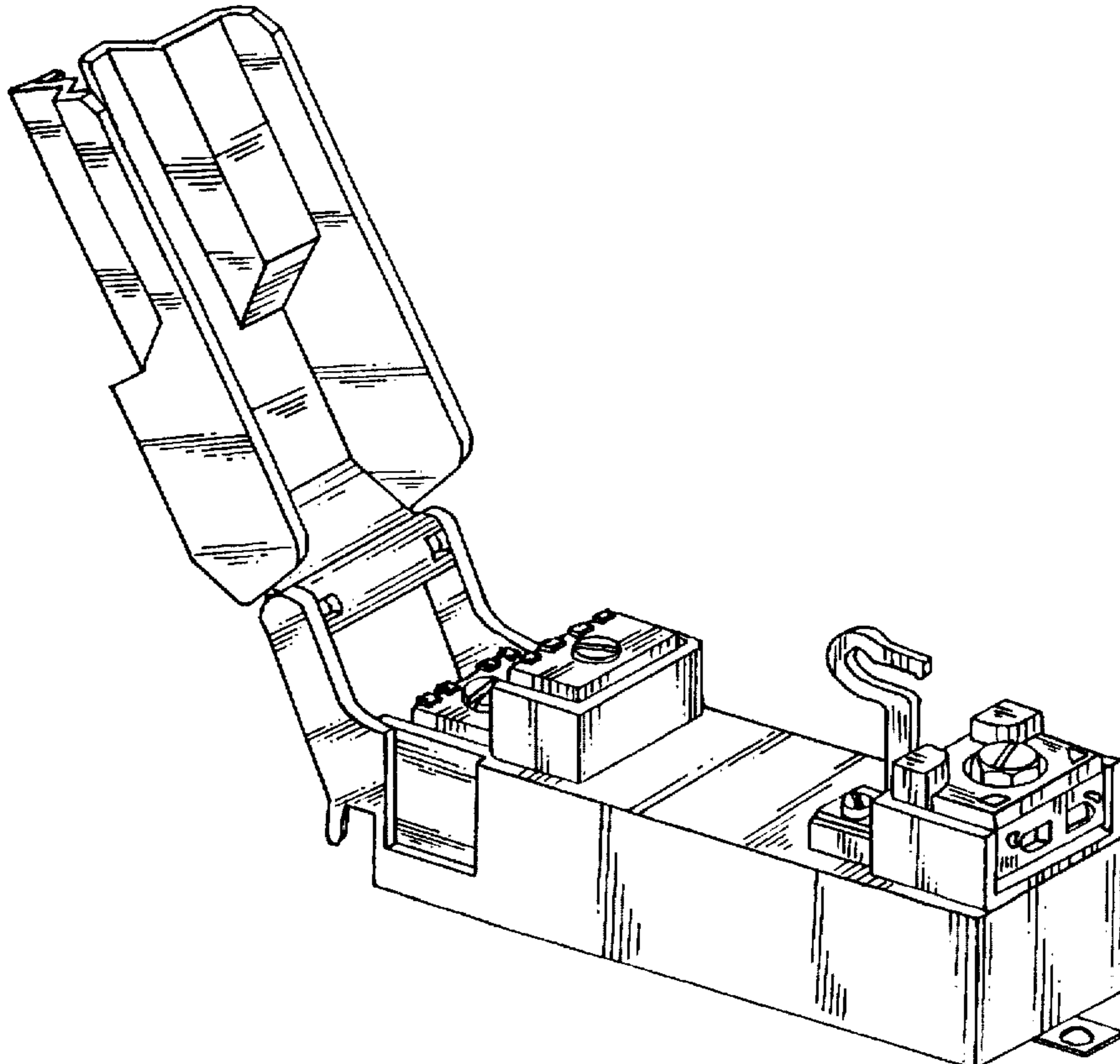
The ornamental design for the exterior surface of an environmentally sealed telephone module, as shown and described.

DESCRIPTION

FIG. 1 is a front and upper left isometric view of the exterior surface of an environmentally sealed telephone module, with the cover closed showing my new design; FIG. 2 is a front and upper left isometric view of the exterior surface of an environmentally sealed telephone module with, with the cover in the open position; FIG. 3 is a left side elevational view thereof; FIG. 4 is a right side elevational view thereof; FIG. 5 is a front elevational view thereof; FIG. 6 is a rear elevational view thereof; and, FIG. 7 is a top plan view thereof.

The cover has been removed from FIGS. 3-7 for convenience of illustration.

1 Claim, 3 Drawing Sheets



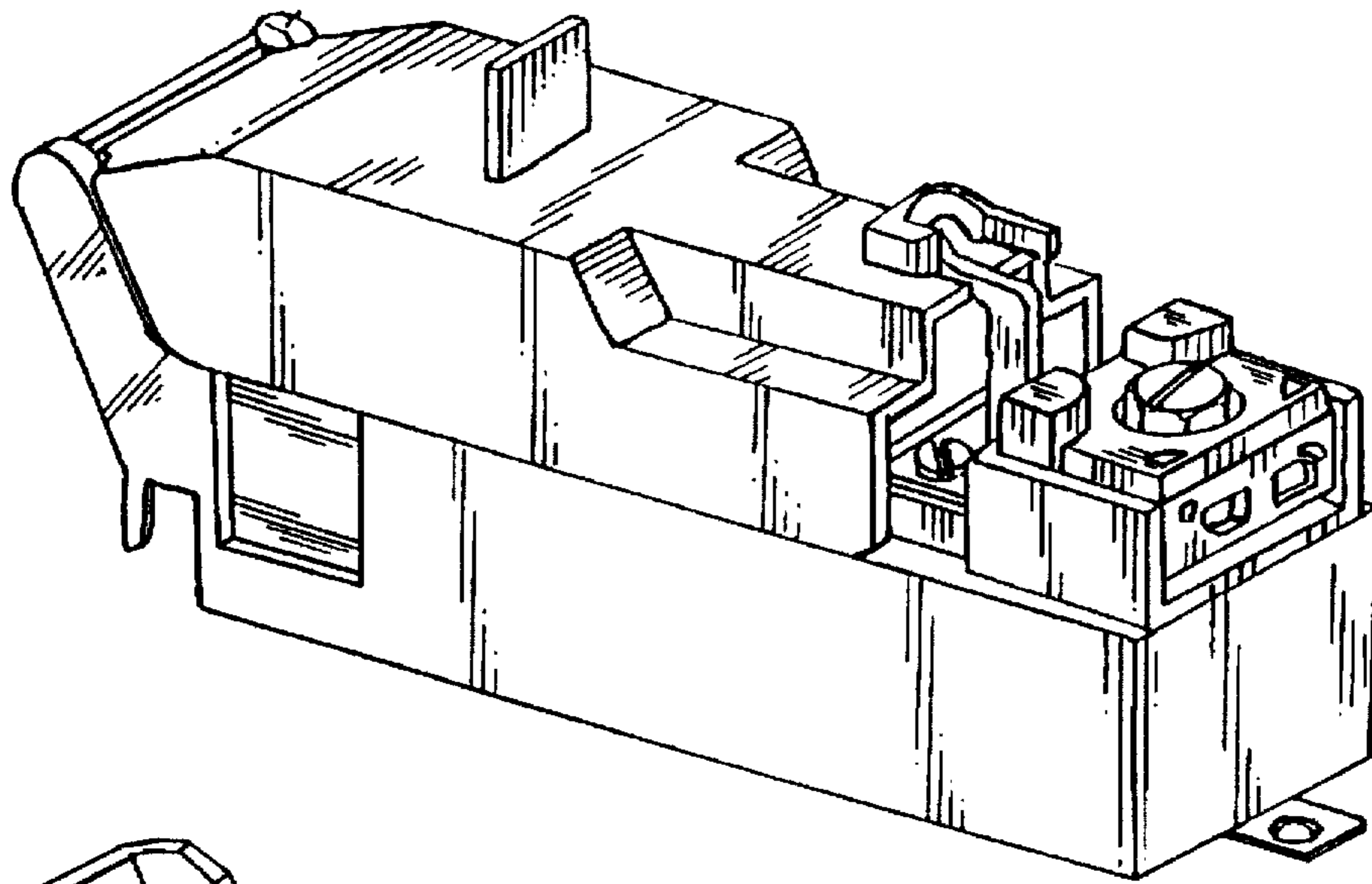


FIG. 1

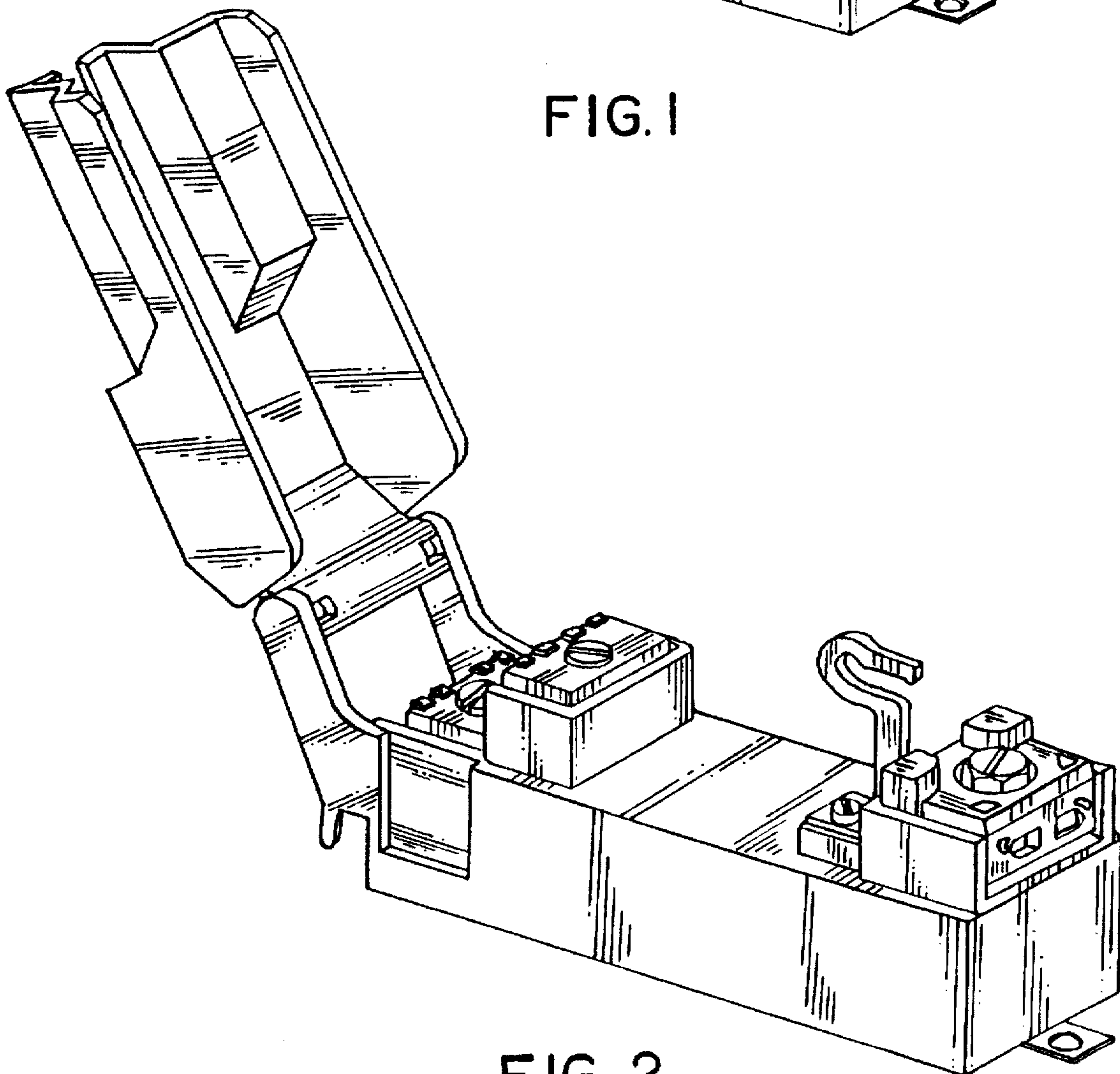


FIG. 2

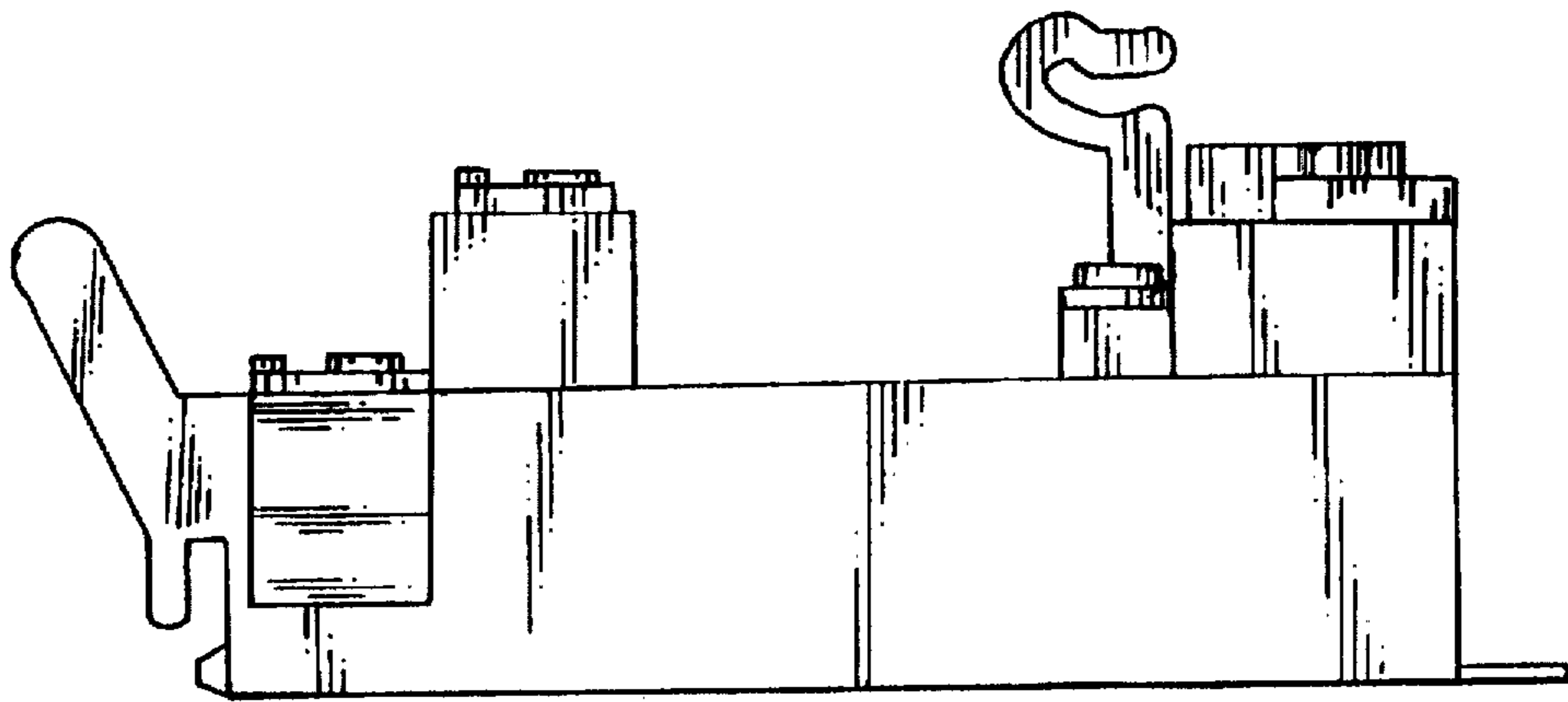


FIG. 3

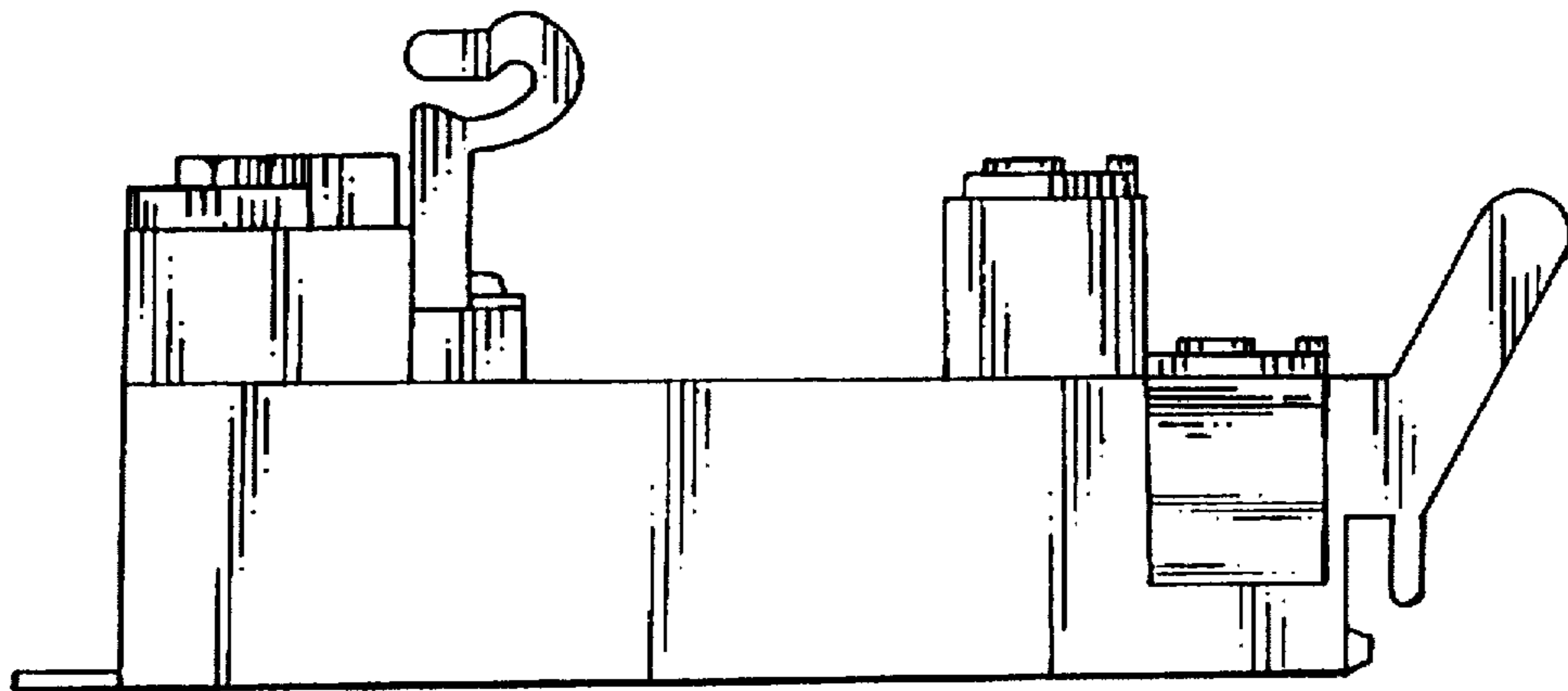


FIG. 4

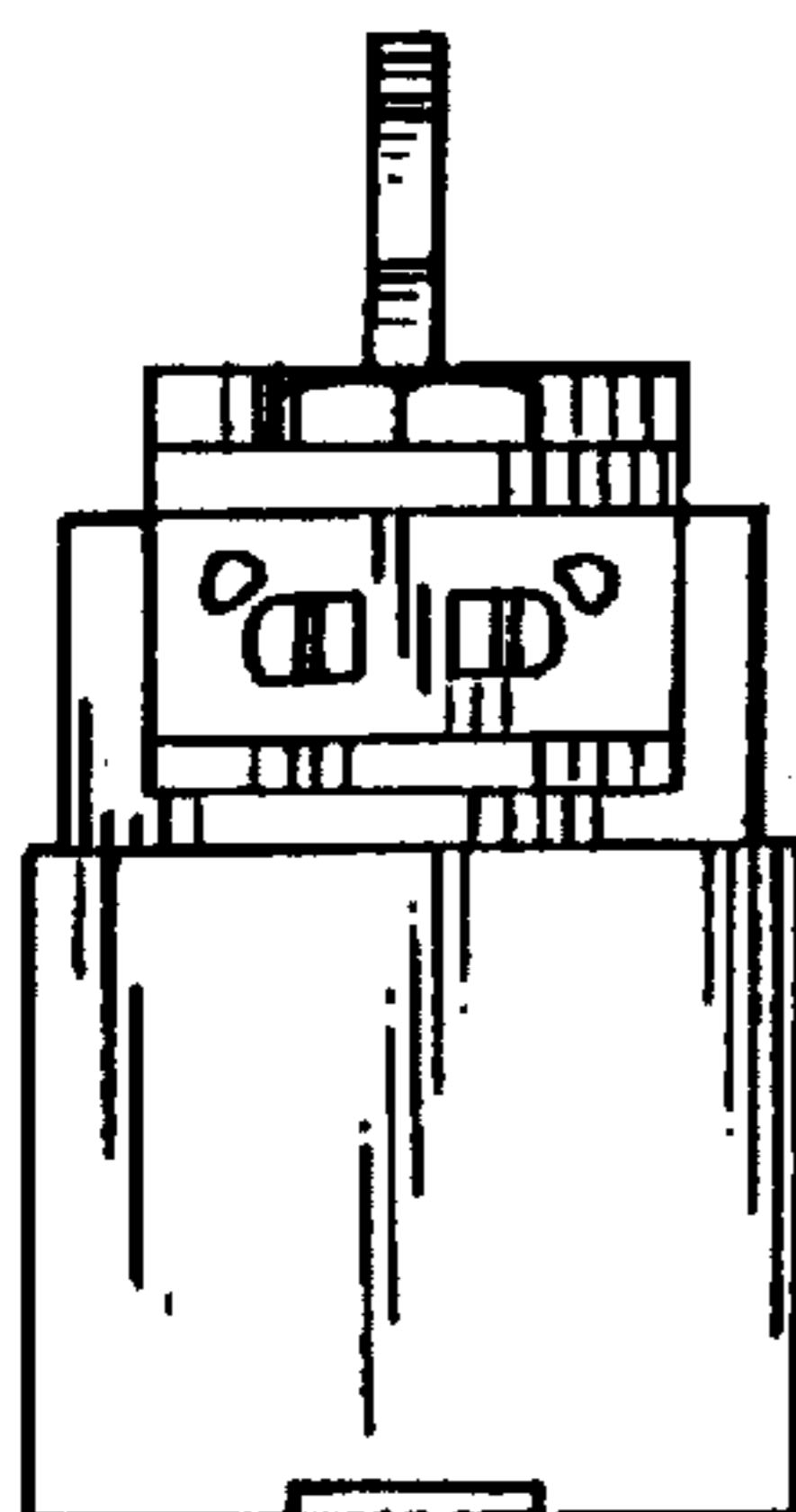


FIG. 5

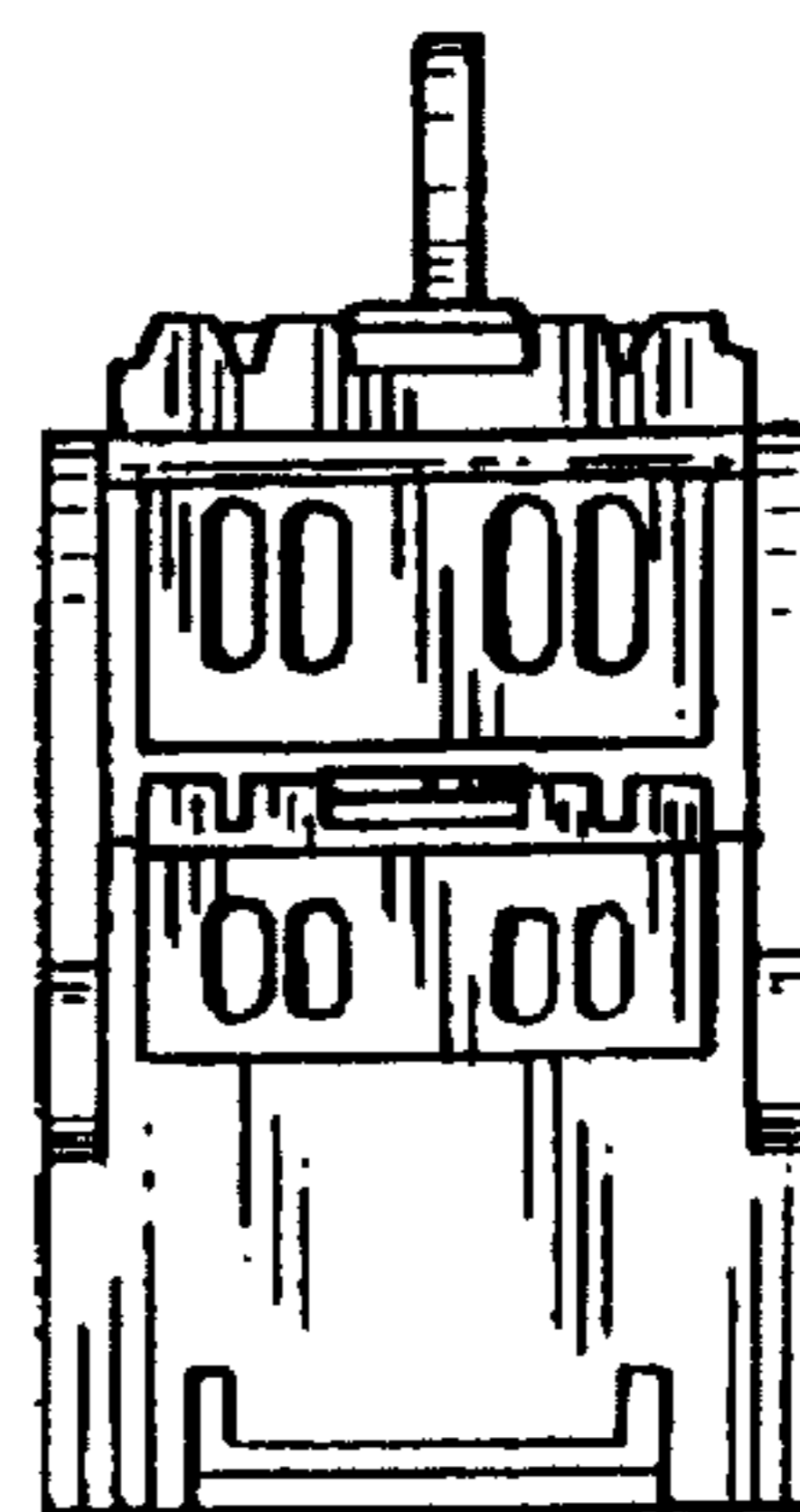


FIG. 6

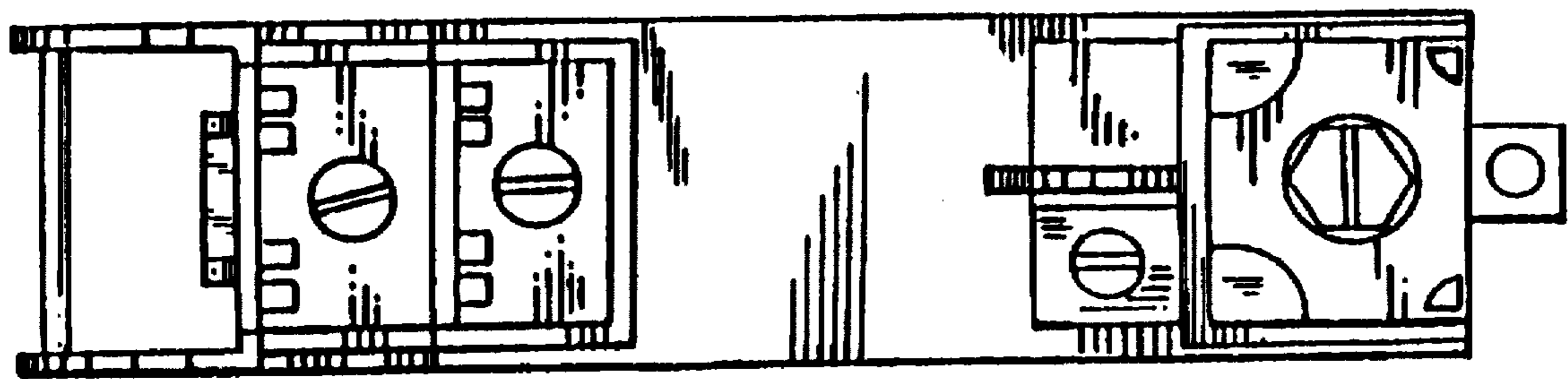


FIG. 7