



US00D384668S

United States Patent [19]

[11] Patent Number: **Des. 384,668**

Yoneda

[45] Date of Patent: ****Oct. 7, 1997**

[54] SPEAKER BOX

DESCRIPTION

[75] Inventor: **Naofumi Yoneda**, Tokyo, Japan

FIG. 1 is a perspective view of a speaker box showing my new design, wherein the front cover is removed for clarity of illustration;

[73] Assignee: **Sony Corporation**, Tokyo, Japan

FIG. 2 is a perspective view thereof wherein the front cover is attached;

[**] Term: **14 Years**

FIG. 3 is a top plan view of FIG. 1;

[21] Appl. No.: **54,791**

FIG. 4 is a left side elevational view thereof;

[22] Filed: **May 22, 1996**

FIG. 5 is a front elevational view thereof;

[51] LOC (6) Cl. **14-01**

FIG. 6 is a bottom plan view thereof;

[52] U.S. Cl. **D14/214**

FIG. 7 is a right side elevational view thereof;

[58] Field of Search D14/205, 207, D14/209-216; 181/144, 145, 150, 153, 157, 199; 381/124, 87-90, 159, 186, 188

FIG. 8 is a rear elevational view thereof;

FIG. 9 is a perspective view of a alternate embodiment of FIG. 1.

[56] References Cited

FIG. 10 is a top plan view of the embodiment of FIG. 9;

U.S. PATENT DOCUMENTS

FIG. 11 is a left side elevational view of the embodiment of FIG. 9;

| | | | | |
|------------|---------|--------------|-------|-----------|
| D. 271,967 | 12/1983 | Meyer et al. | | D14/214 |
| D. 333,467 | 2/1993 | Yamamoto | | D14/214 |
| D. 336,475 | 6/1993 | Christie | | D14/215 |
| D. 362,667 | 9/1995 | Shon | | D14/214 |
| 4,221,929 | 9/1980 | Fukuda | | 181/148 X |
| 4,624,338 | 11/1986 | Ewald | | 181/144 X |

FIG. 12 is a front elevational view of the embodiment of FIG. 9;

Primary Examiner—Sandra L. Morris

Assistant Examiner—Nanda Bondade

Attorney, Agent, or Firm—Foley & Lardner

FIG. 13 is a bottom plan view of the embodiment of FIG. 9;

FIG. 14 is a right side elevational view of the embodiment of FIG. 9; and,

[57] CLAIM

FIG. 15 is a rear elevational view of the embodiment of FIG. 9.

The ornamental design for a speaker box, as shown and described.

A perspective view of the embodiment of FIG. 9 wherein the front cover is attached is shown in FIG. 2.

1 Claim, 6 Drawing Sheets

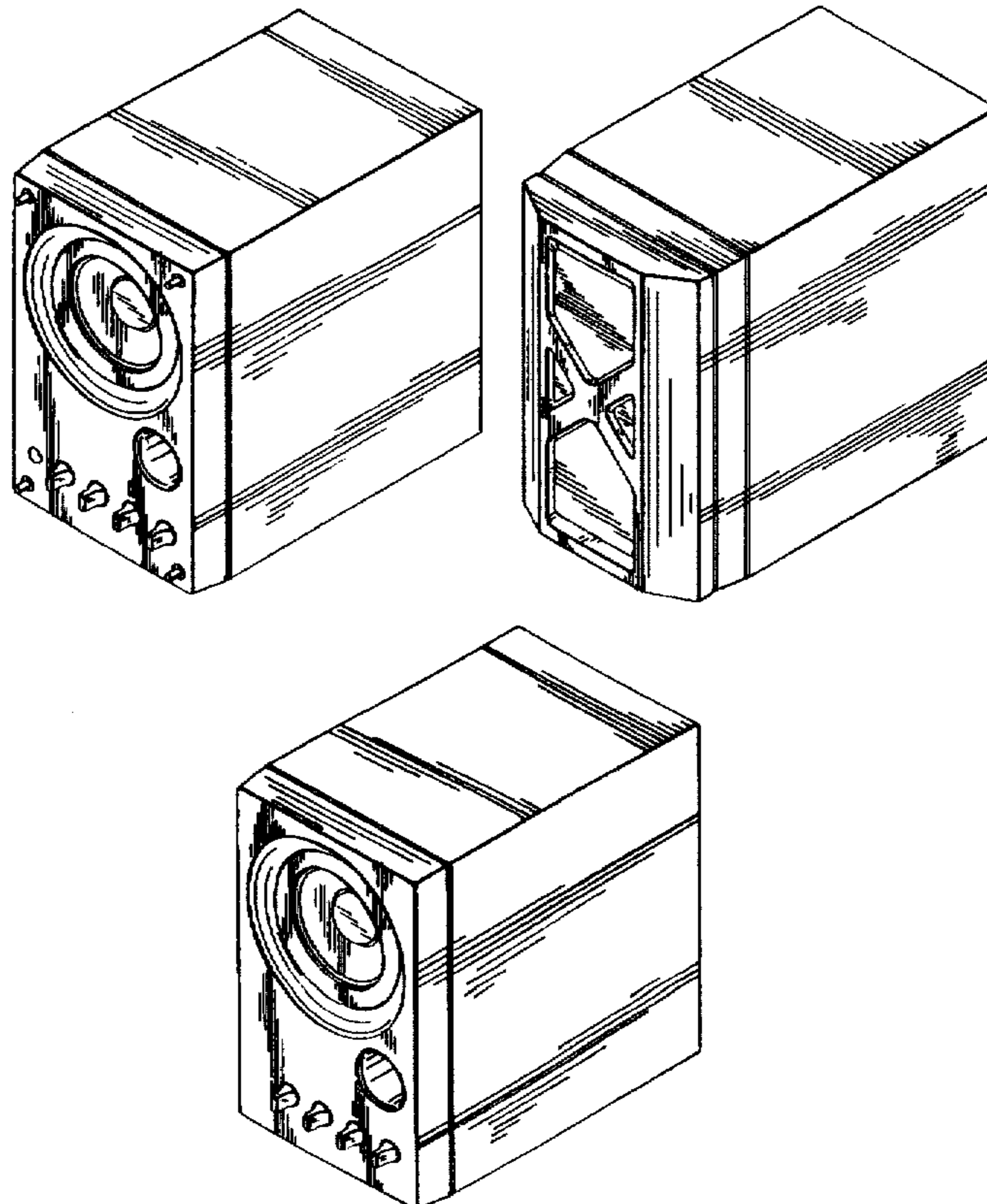


FIG. 1

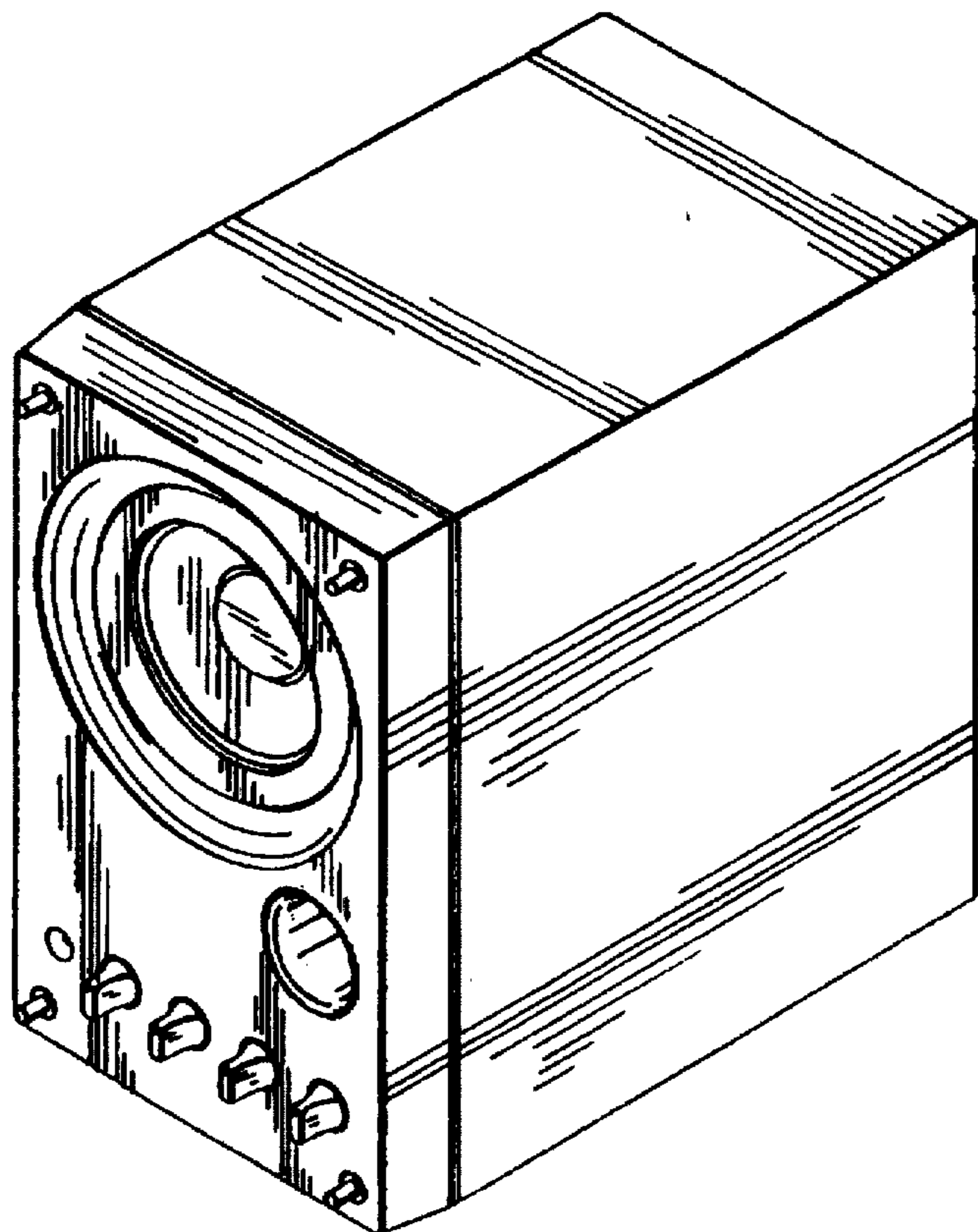


FIG. 2

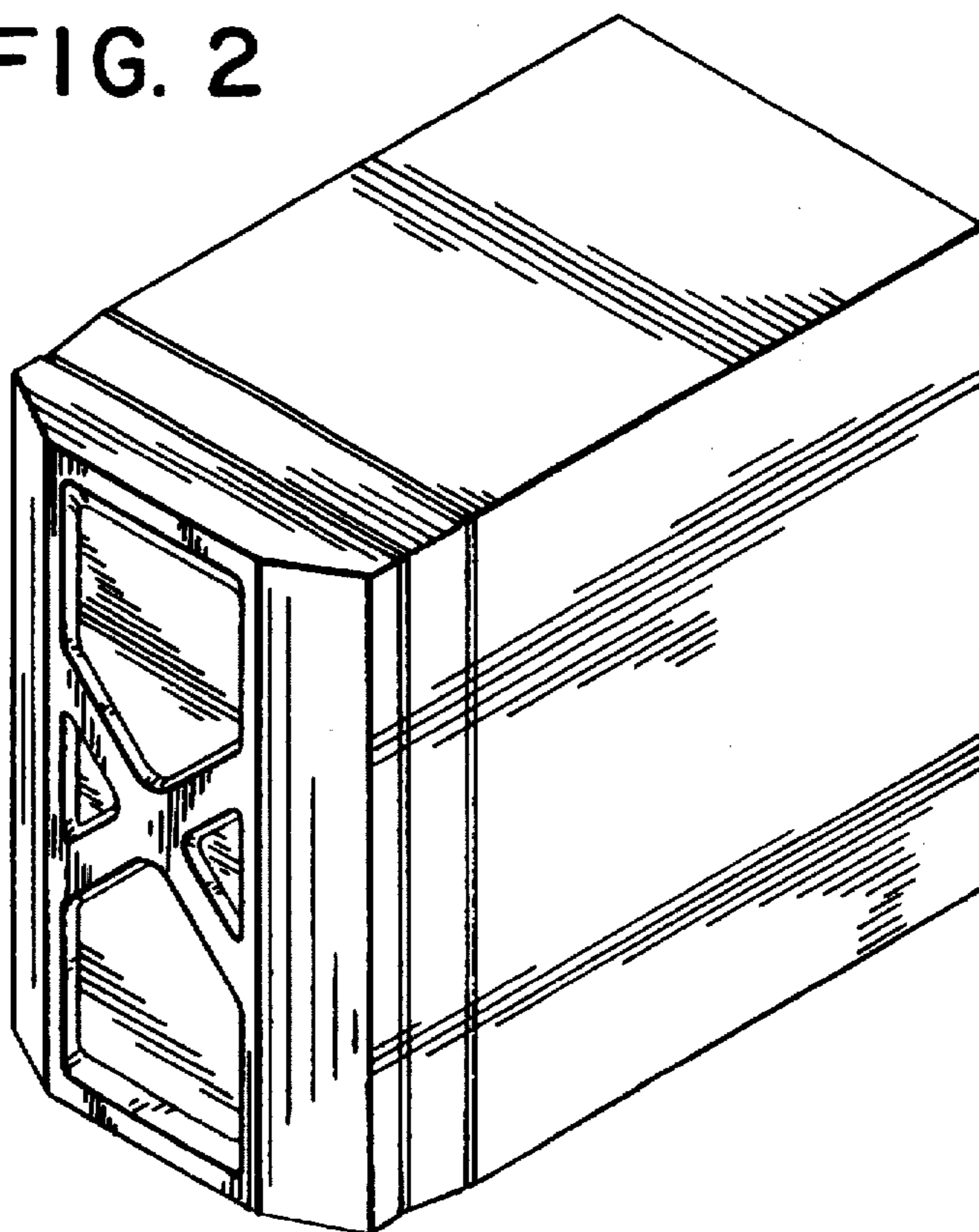


FIG. 3

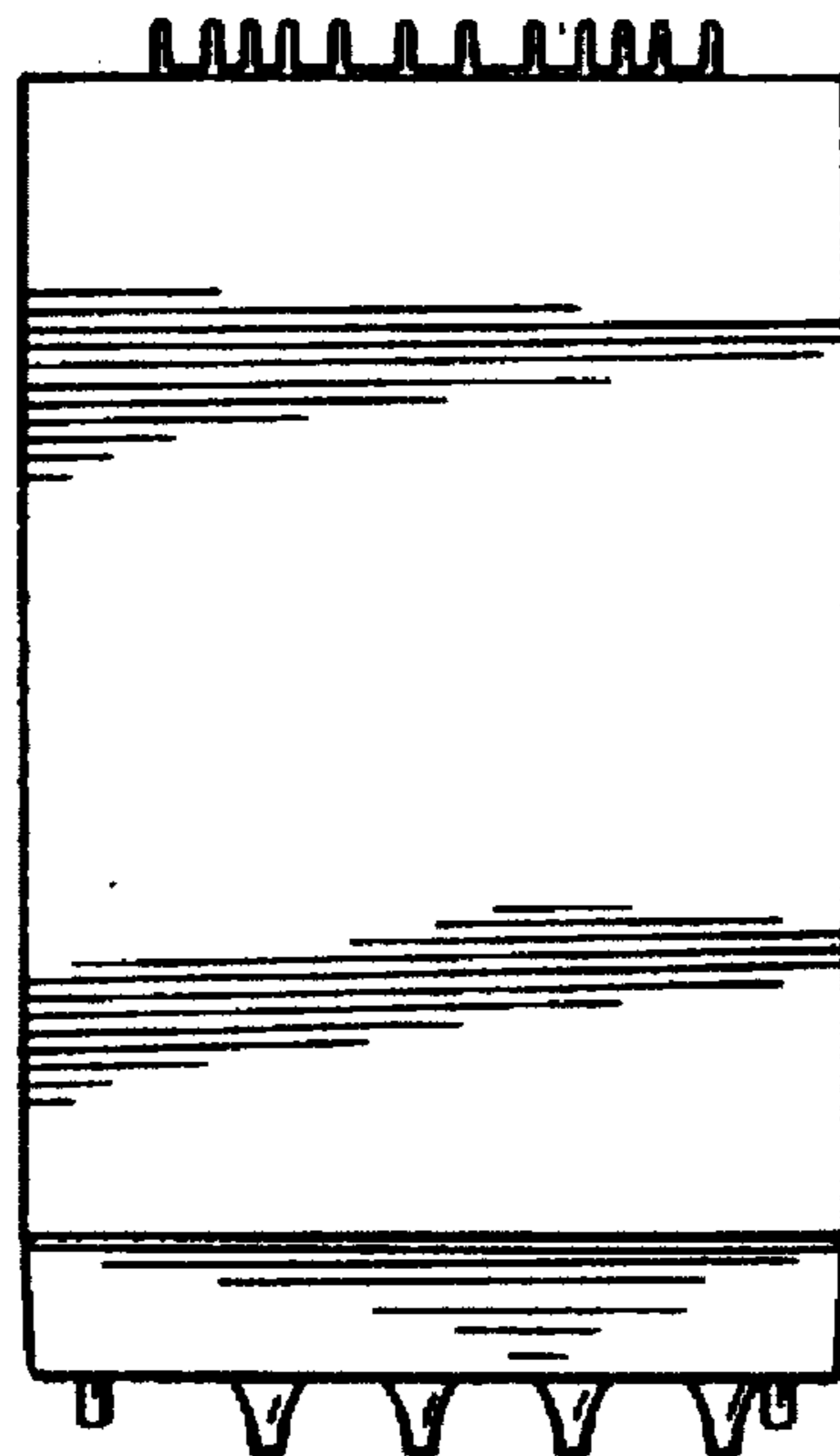


FIG. 4

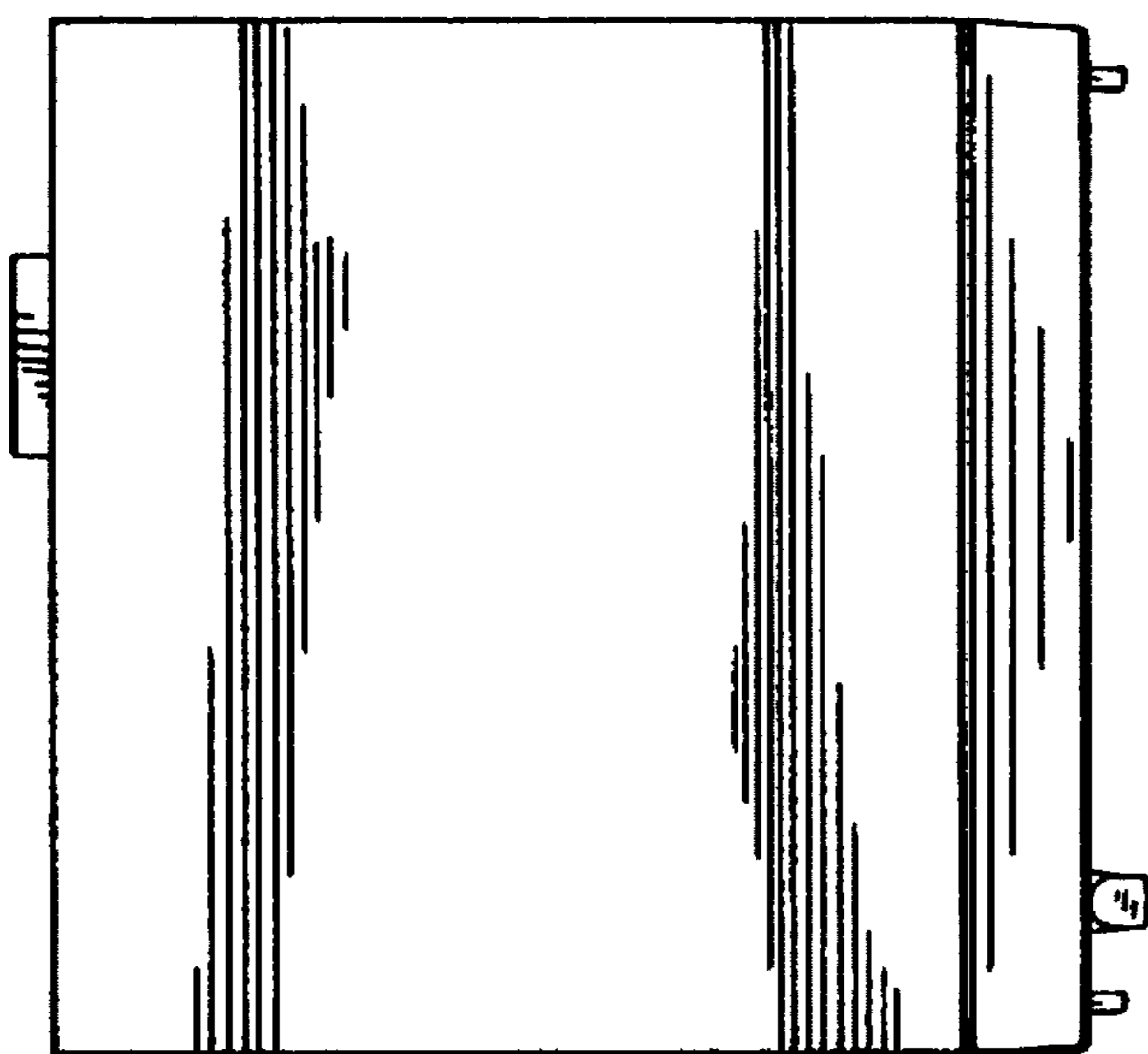


FIG. 5

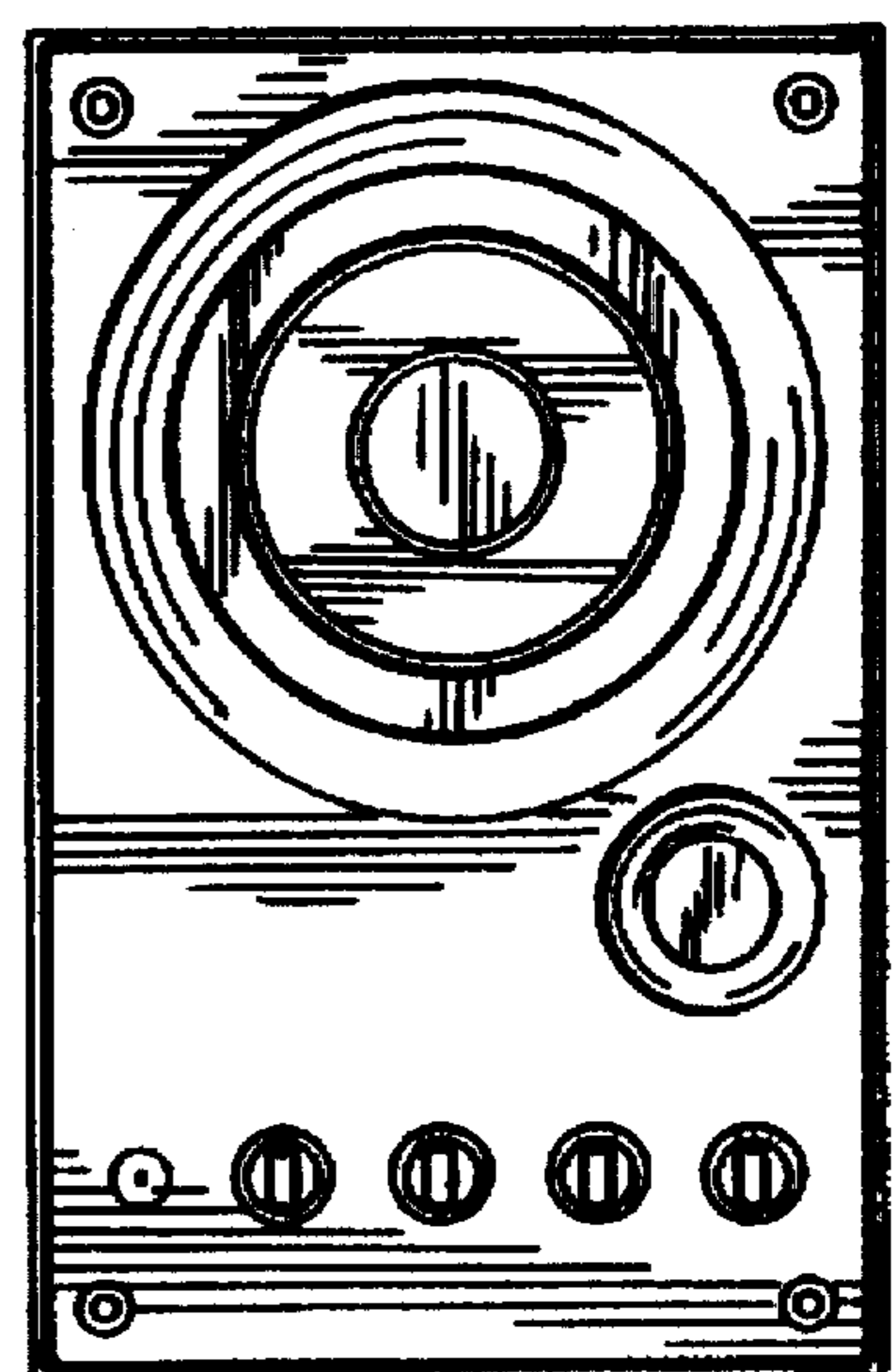


FIG. 6

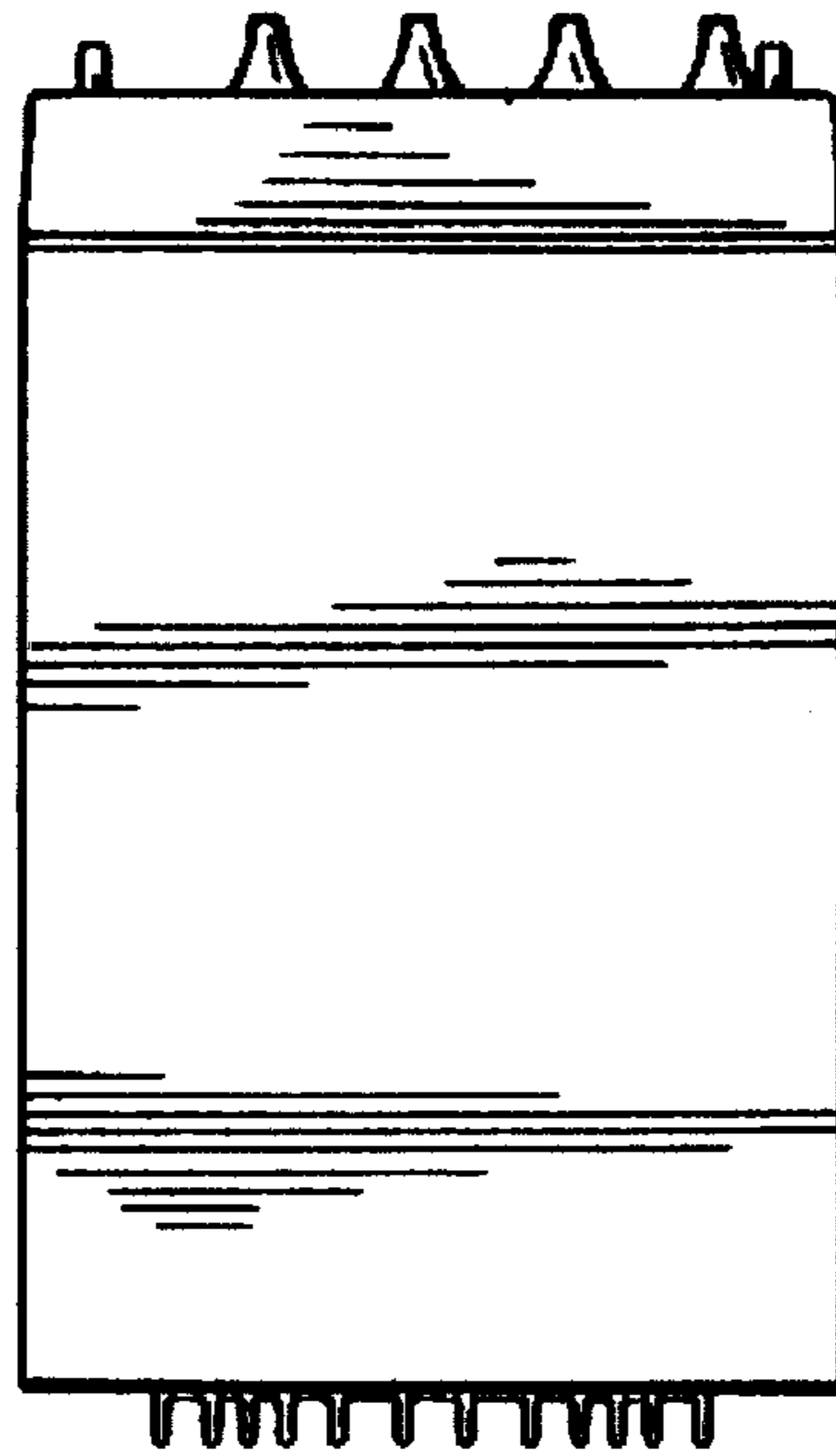


FIG. 7

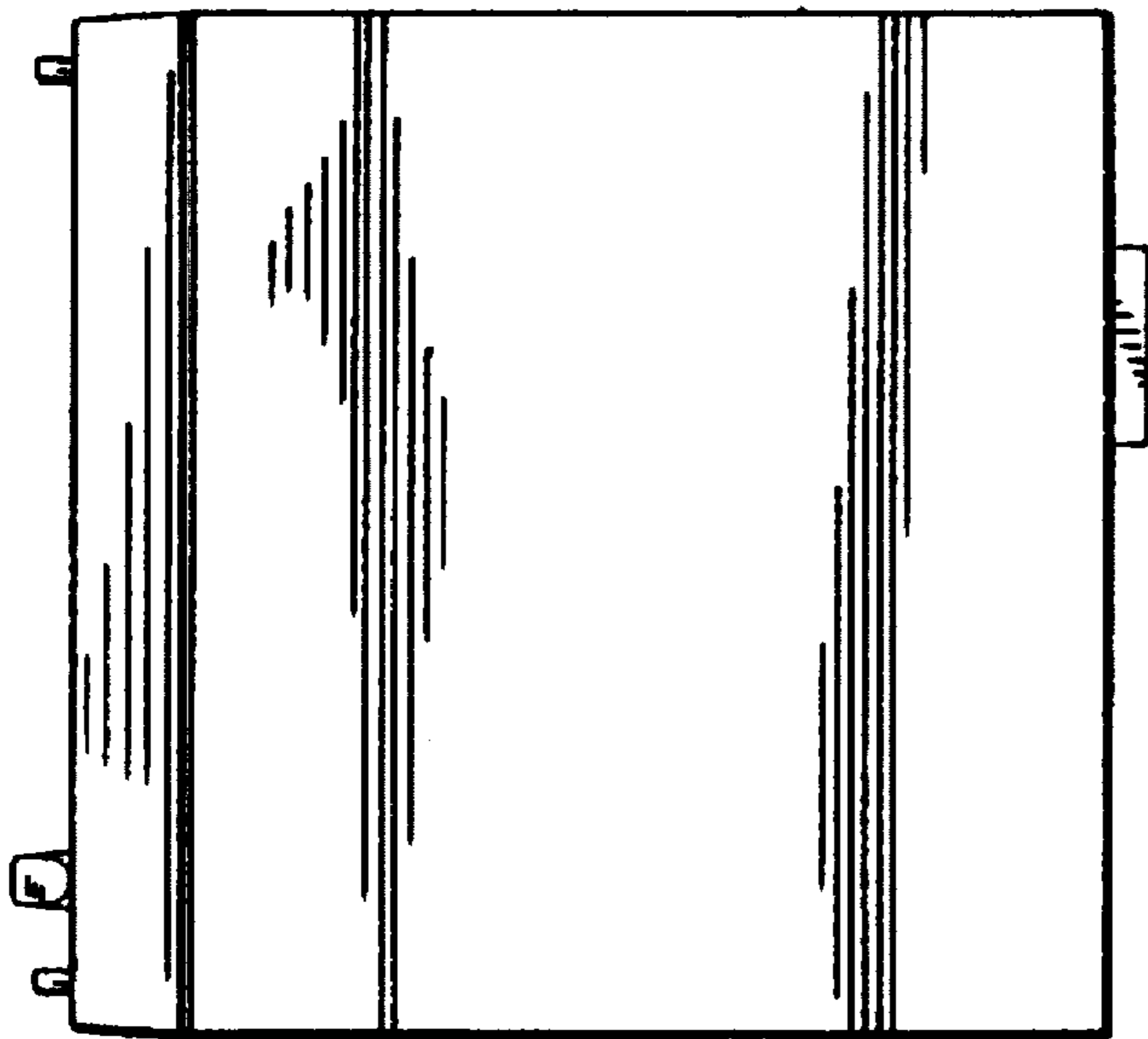


FIG. 8

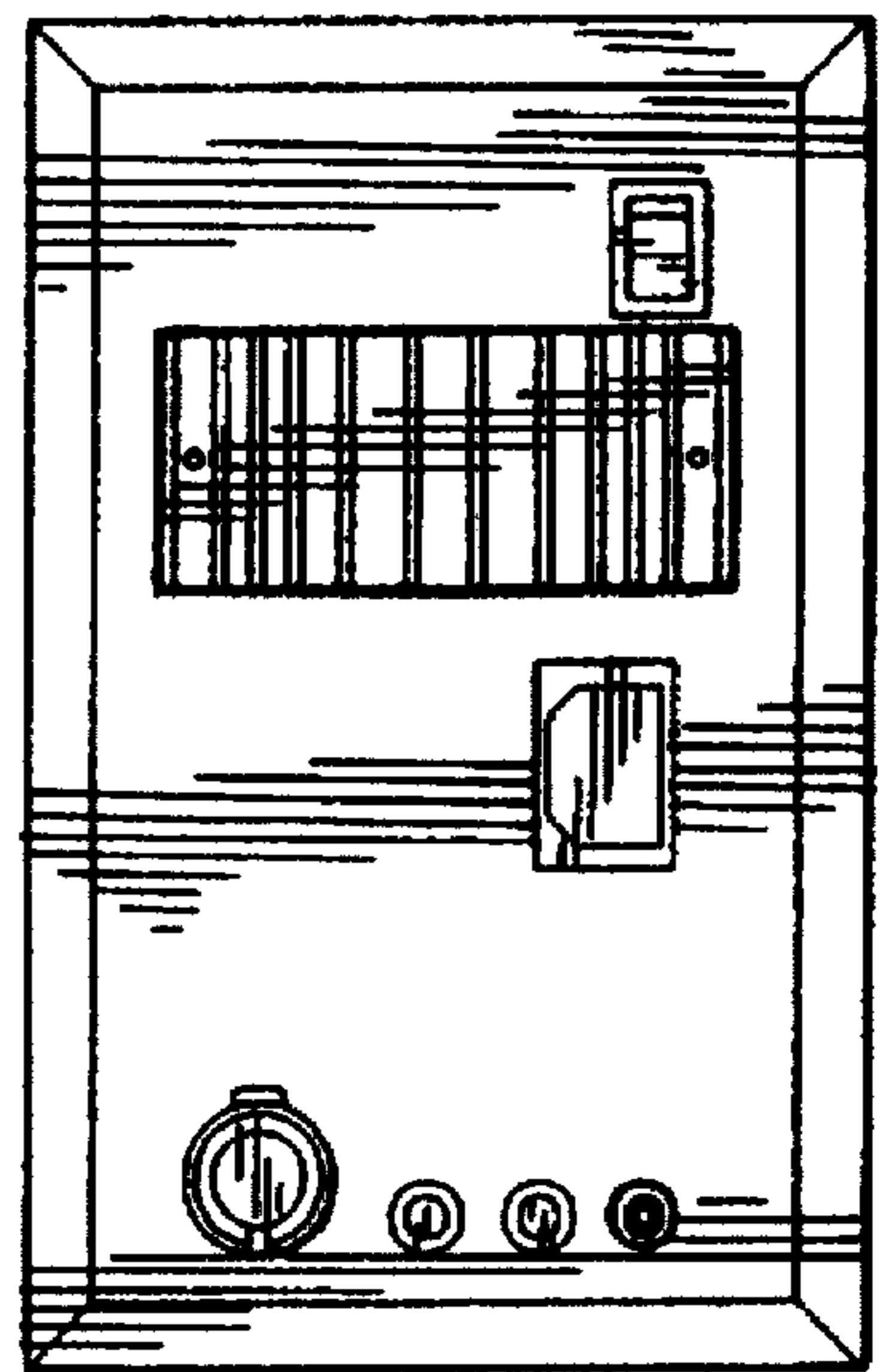


FIG. 9

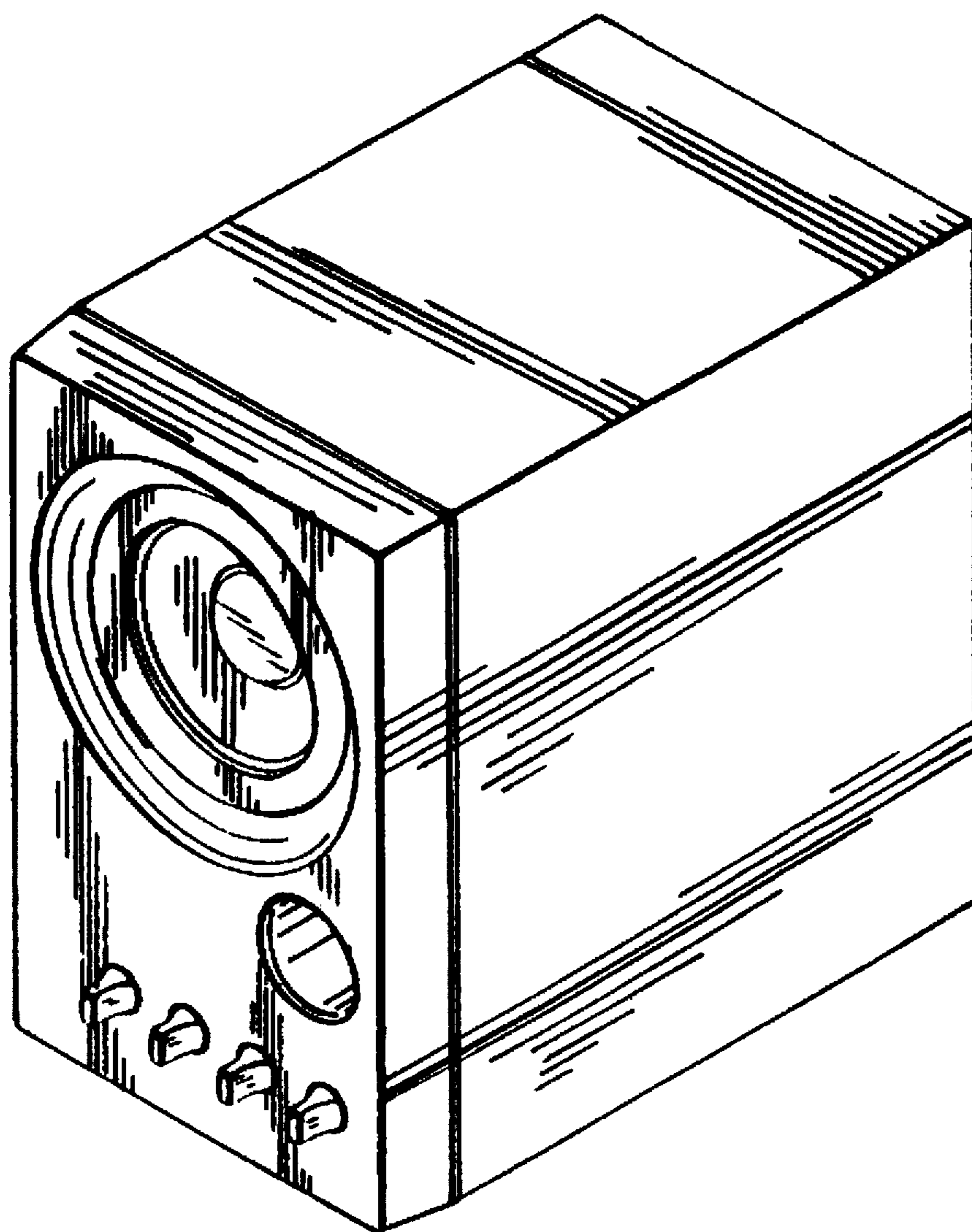


FIG. 10

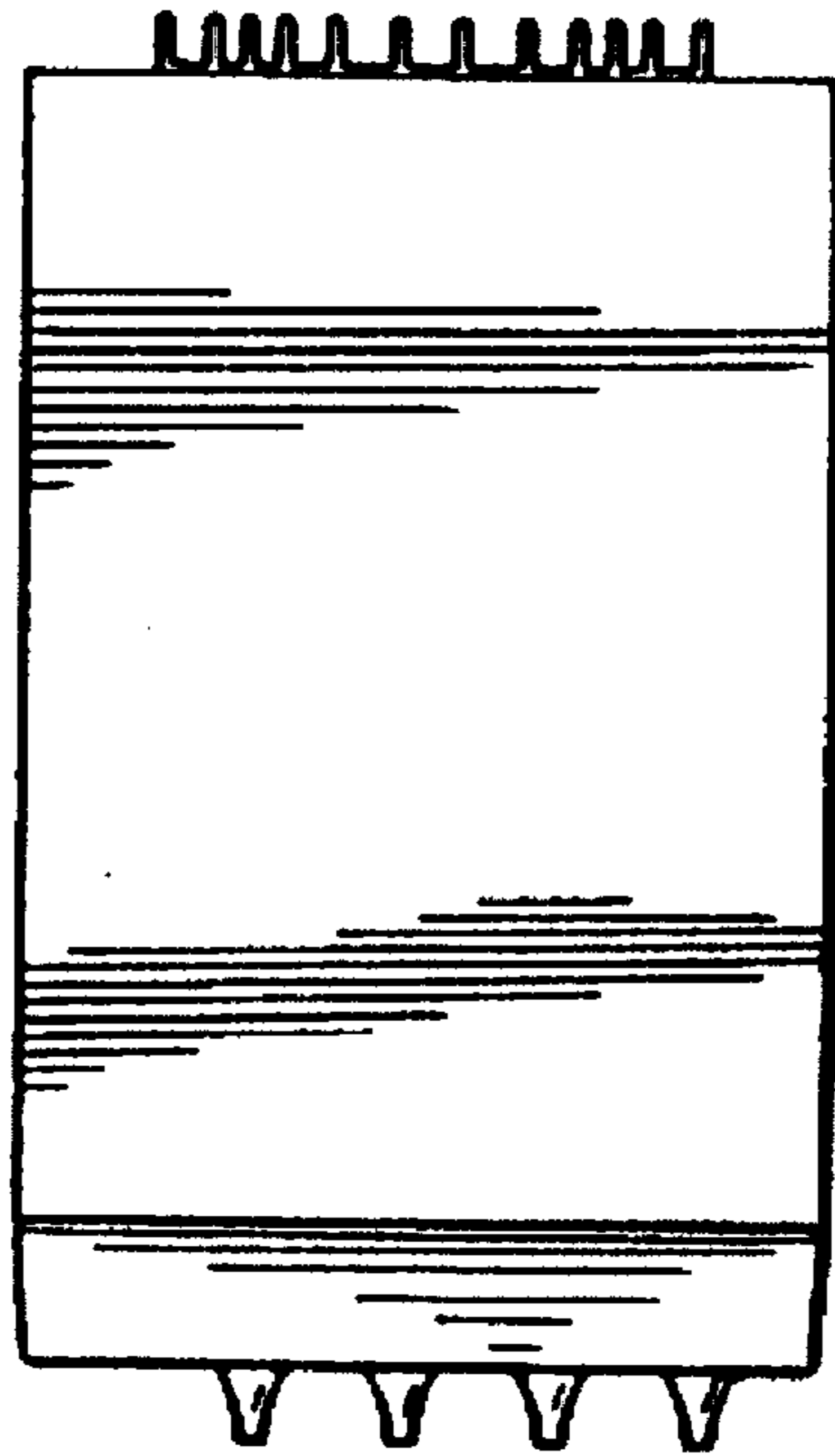


FIG. 11

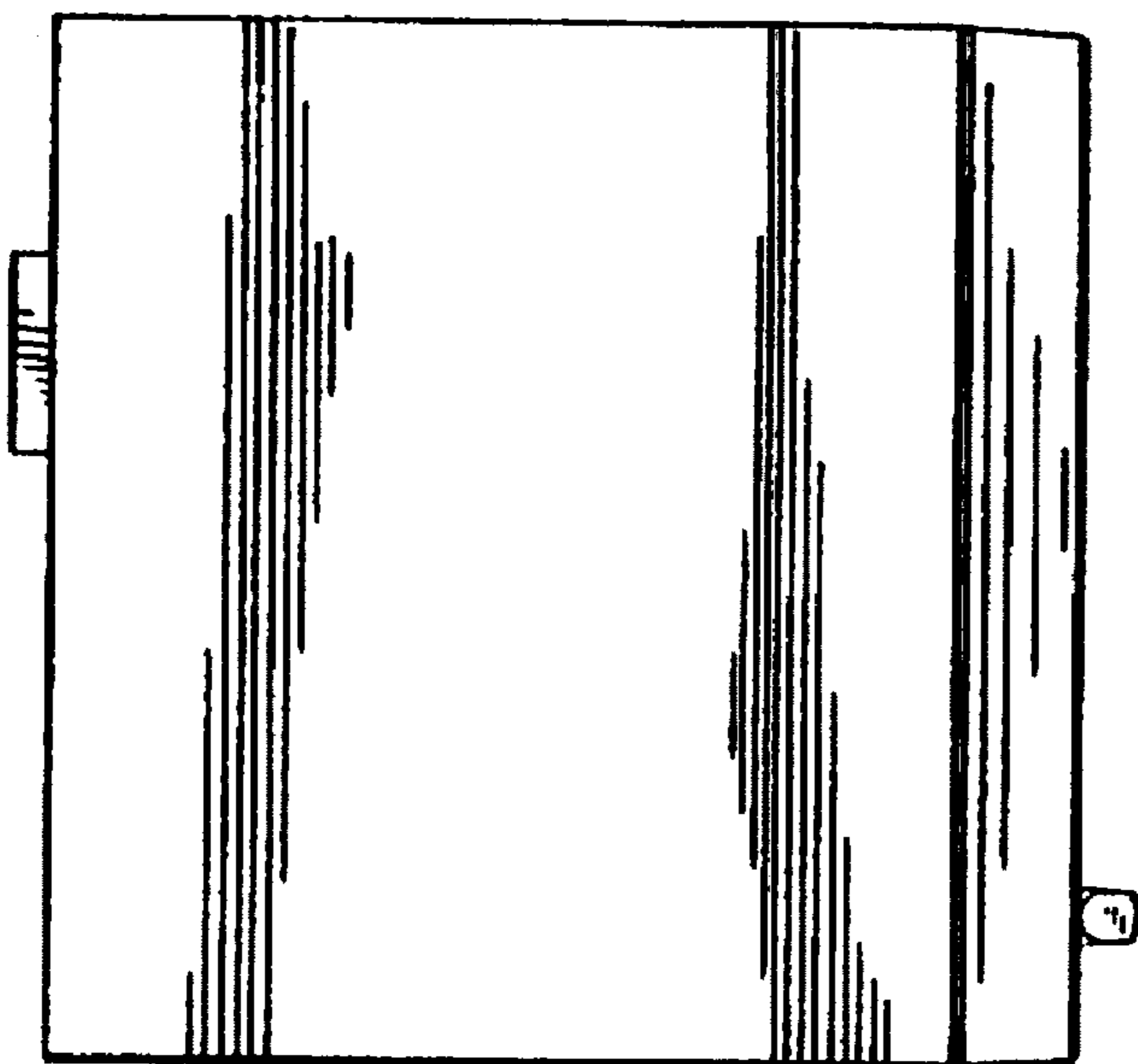


FIG. 12

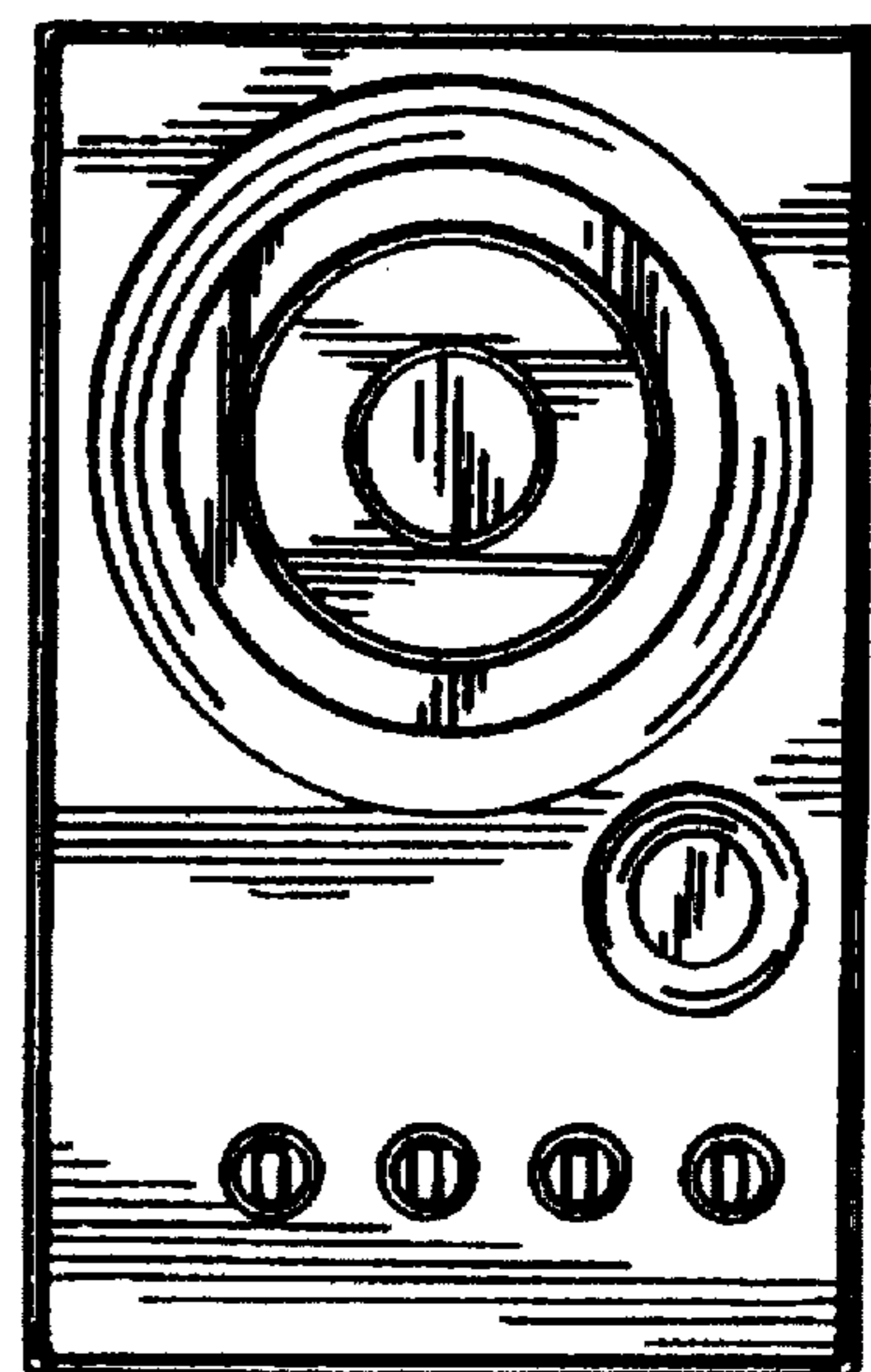


FIG. 13

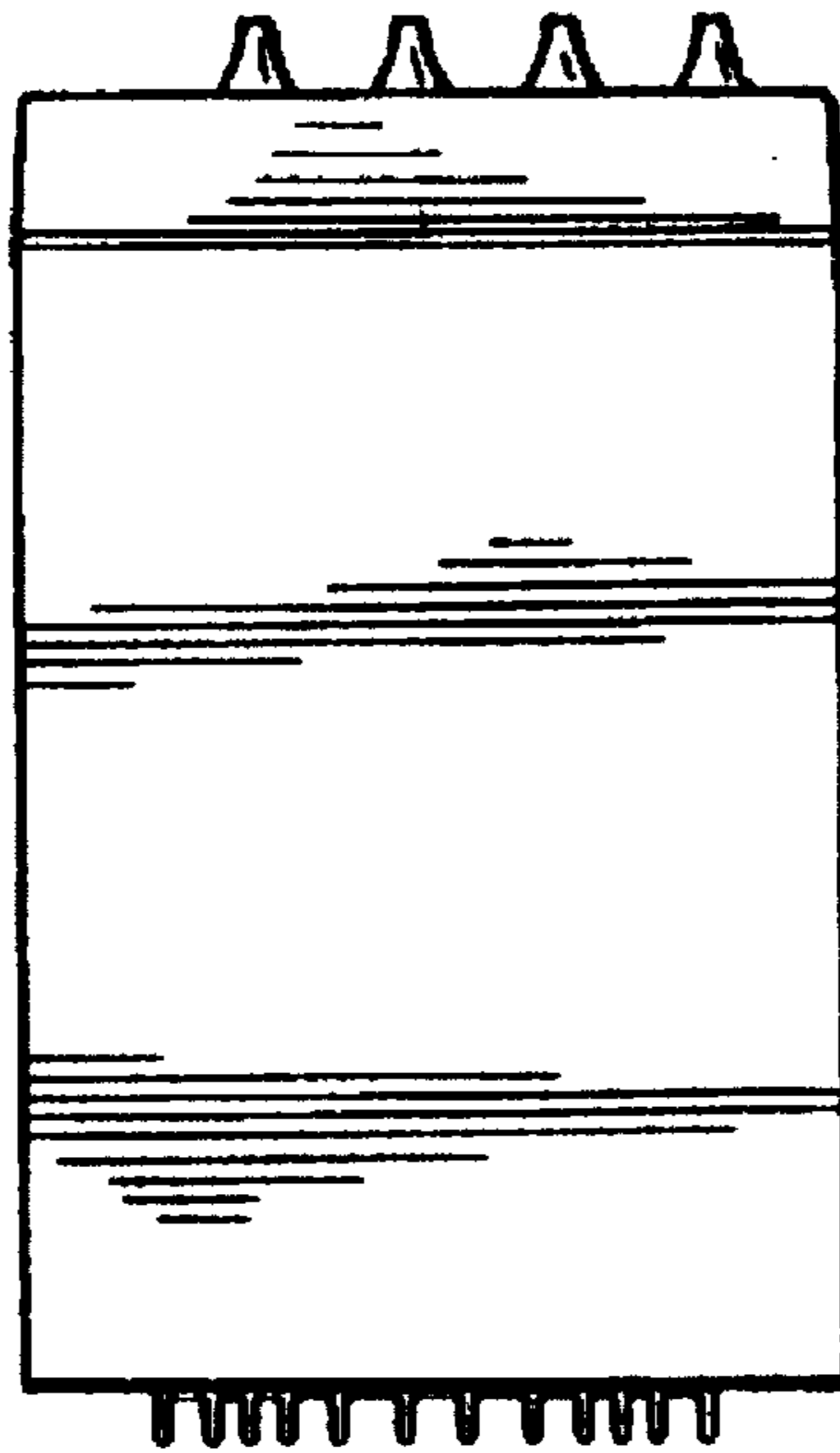


FIG. 14

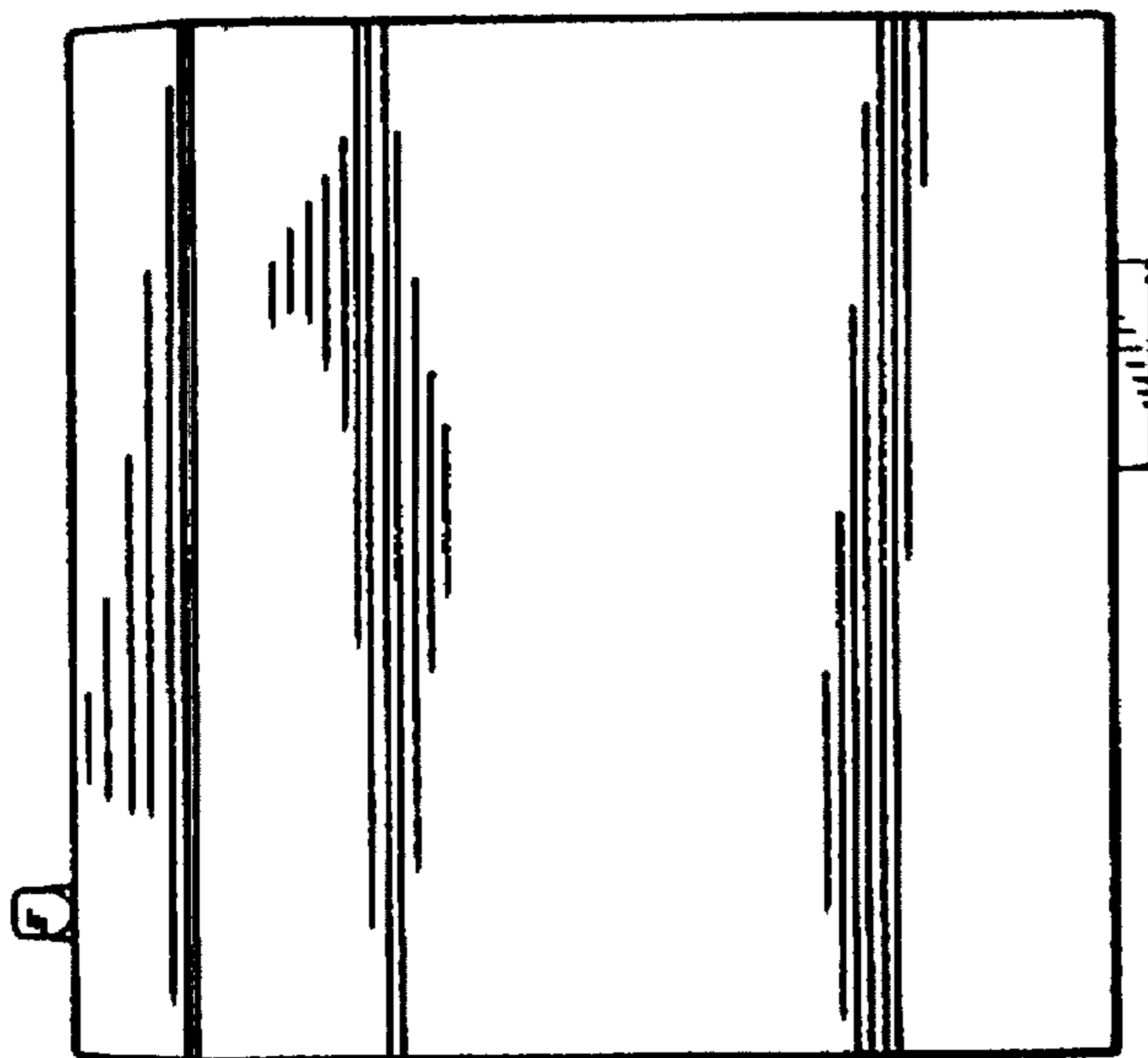


FIG. 15

