

US00D384664S

# United States Patent [19]

[11] Patent Number: **Des. 384,664**

**Backs et al.**

[45] Date of Patent: **\*\*Oct. 7, 1997**

[54] **TELEPHONE STAND**

[75] Inventors: **Jochen Philipp Backs**, San Francisco, Calif.; **Stephen Edward Bennett**, Succasunna, N.J.; **Mark Biasotti**, San Jose, Calif.; **Mark B. Larew**, Indianapolis, Ind.; **John Matthew Law**, Carmel, Ind.; **Everett Wayne Mathis**, Greenwood, Ind.; **Raymond Motluck**, Noblesville, Ind.; **Michael John Nuttall**, Portola Valley, Calif.; **John Henry Schaffeld**, New Vernon, N.J.

D. 232,562	8/1974	Doyle et al.	.....	D14/149
D. 271,691	12/1983	Bhat et al.	.....	D14/149
D. 281,599	12/1985	Joffe et al.	.....	D14/151
D. 293,321	12/1987	Kowalik et al.	.....	D14/149
D. 294,252	2/1988	Read	.....	D14/149
D. 303,114	8/1989	Danielson et al.	.....	D14/142
D. 303,115	8/1989	Hart et al.	.....	D14/142
D. 306,295	2/1990	Nagele	.....	D14/149
D. 308,059	5/1990	Desbarats	.....	D14/149
D. 318,051	7/1991	Danielson et al.	.....	D14/151 X
D. 345,974	4/1994	Biskup et al.	.....	D14/149
D. 355,190	2/1995	Folkes et al.	.....	D14/149

[73] Assignee: **Lucent Technologies Inc.**, Murray Hill, N.J.

*Primary Examiner*—Jeffrey Asch  
*Attorney, Agent, or Firm*—Samuel R. Williamson

[\*\*] Term: **14 Years**

[57] **CLAIM**

[21] Appl. No.: **32,904**

The ornamental design of a telephone stand, as shown and described.

[22] Filed: **Dec. 30, 1994**

**DESCRIPTION**

[51] LOC (6) Cl. .... **14-03**  
[52] U.S. Cl. .... **D14/149**  
[58] Field of Search ..... D14/149-151,  
D14/100, 101, 140, 142, 141, 240, 241;  
379/433-436, 419, 420, 428, 440

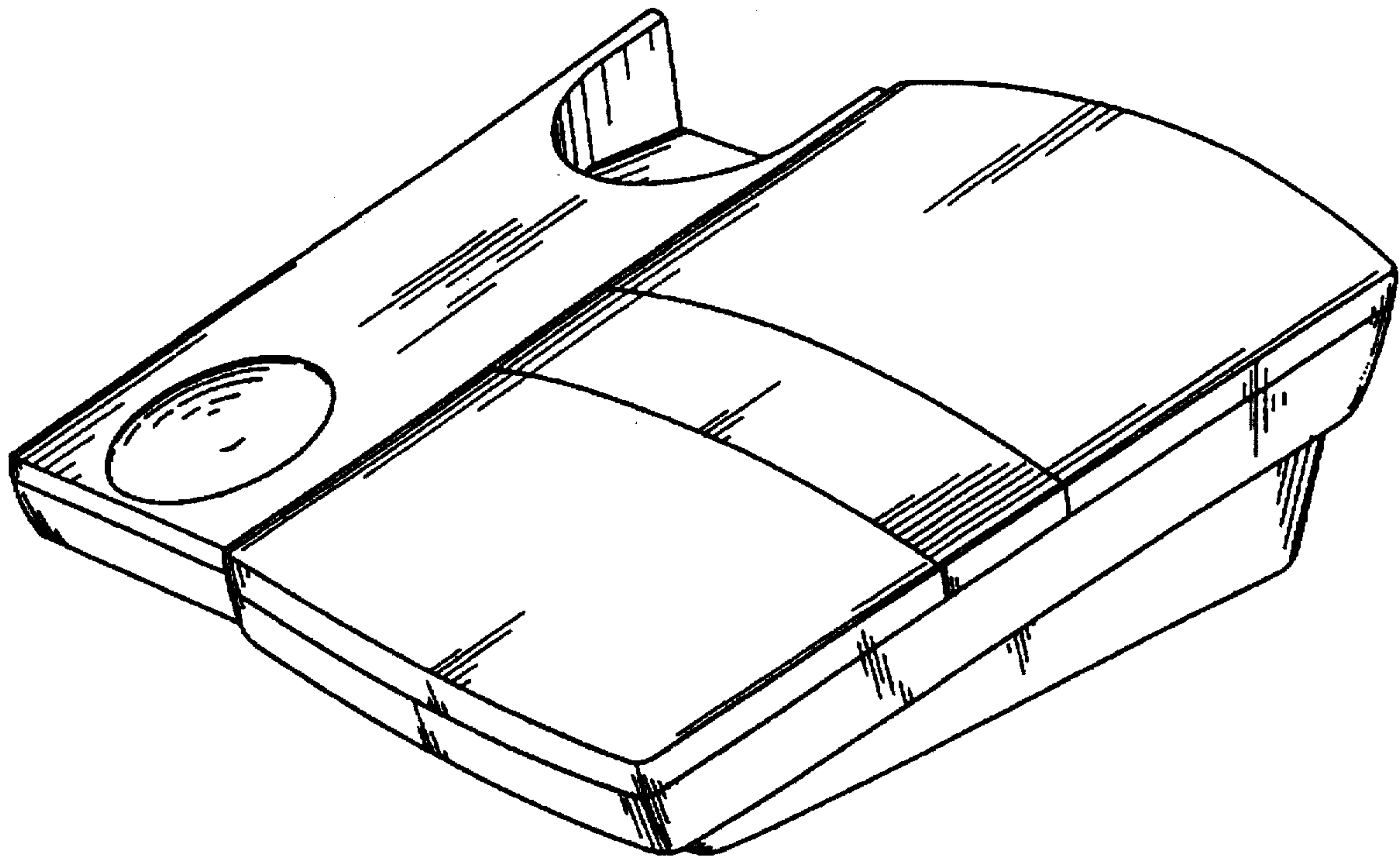
FIG. 1 is a top, front and right side perspective view of a telephone stand showing our new design;  
FIG. 2 is a top plan view thereof;  
FIG. 3 is a bottom plan view thereof;  
FIG. 4 is a front elevation thereof;  
FIG. 5 is a right side elevation thereof;  
FIG. 6 is a left side elevation thereof; and,  
FIG. 7 is a rear elevation thereof.

[56] **References Cited**

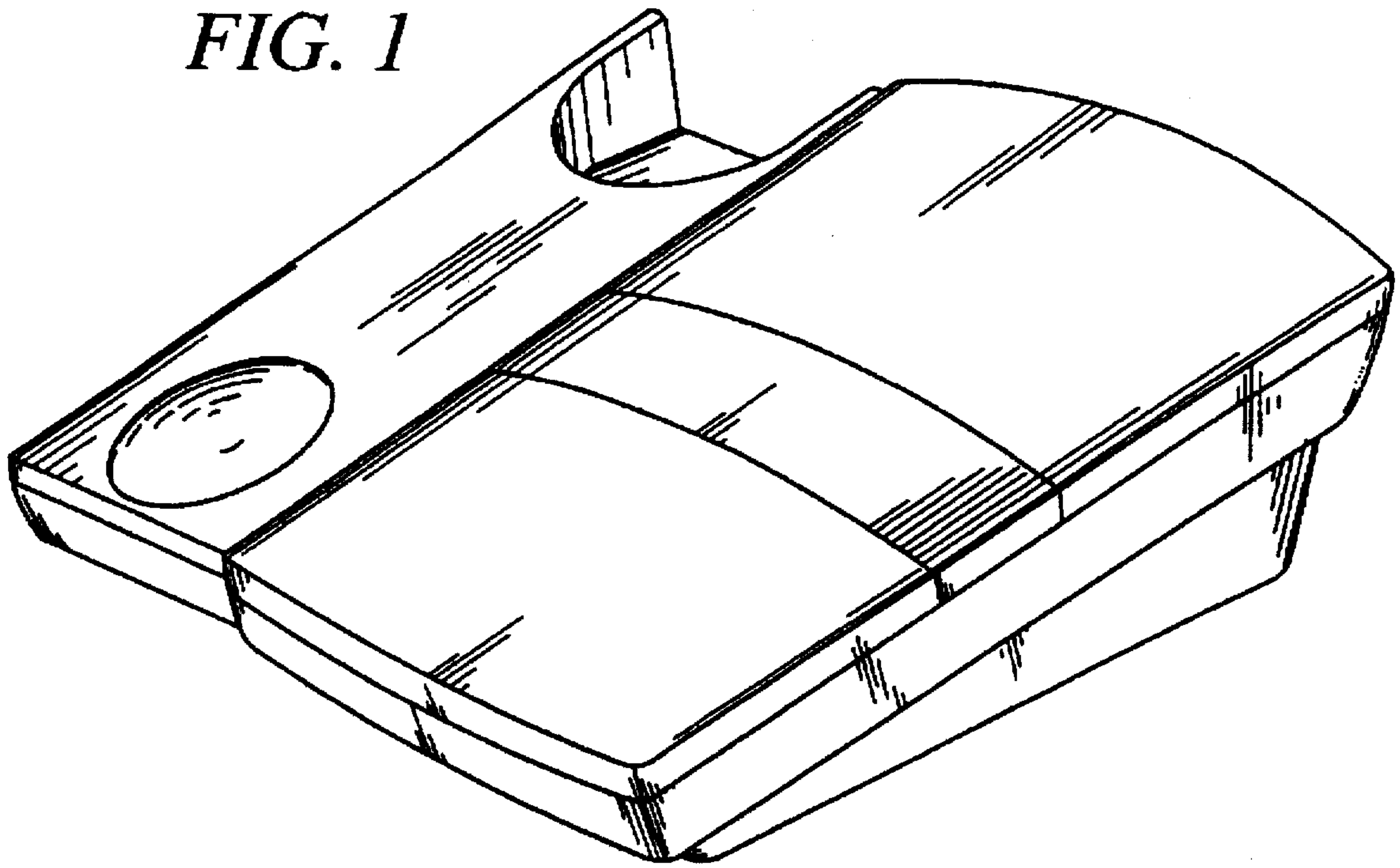
**U.S. PATENT DOCUMENTS**

D. 231,650 5/1974 Eubank et al. .... D14/149

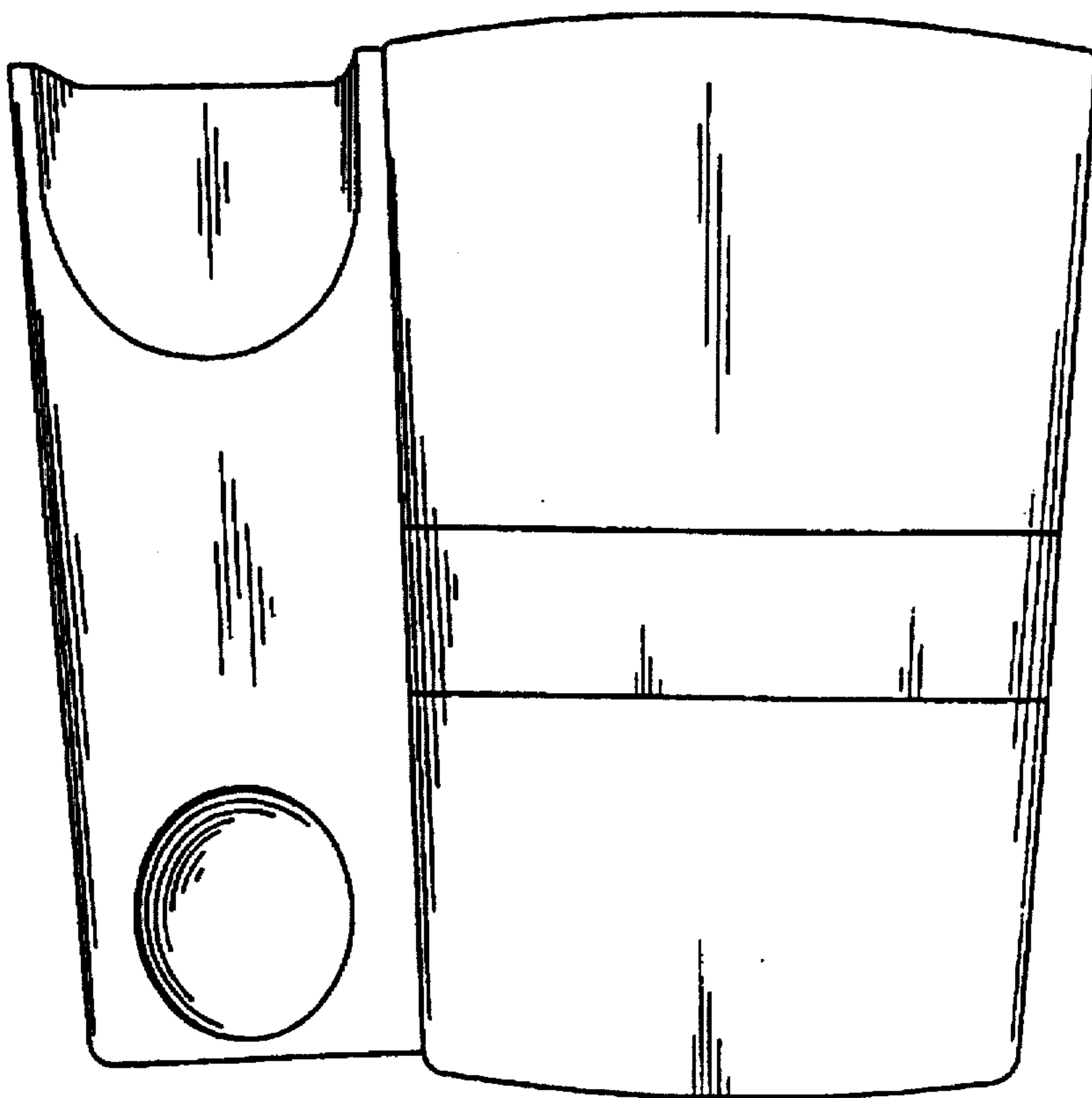
**1 Claim, 3 Drawing Sheets**



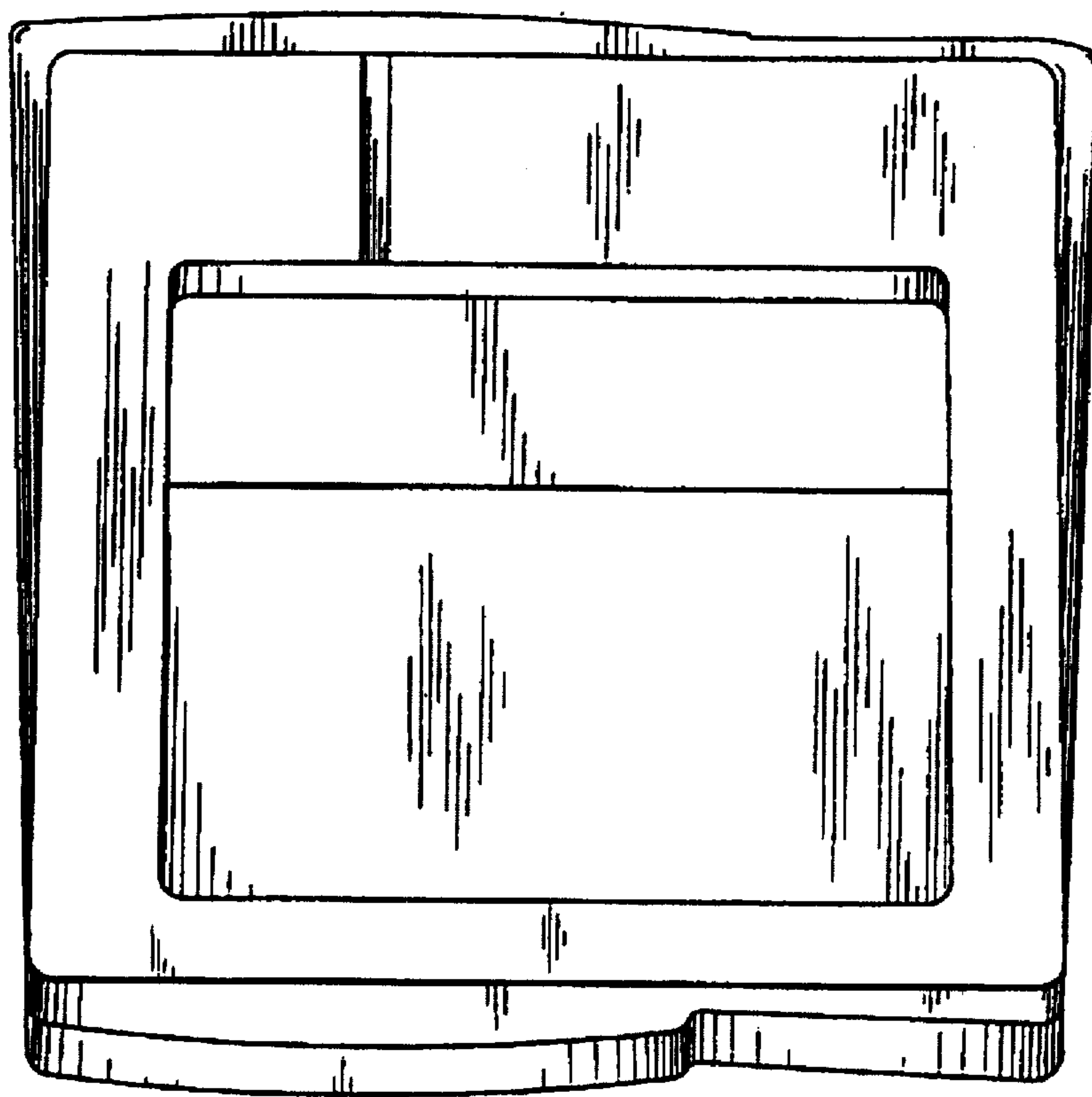
*FIG. 1*



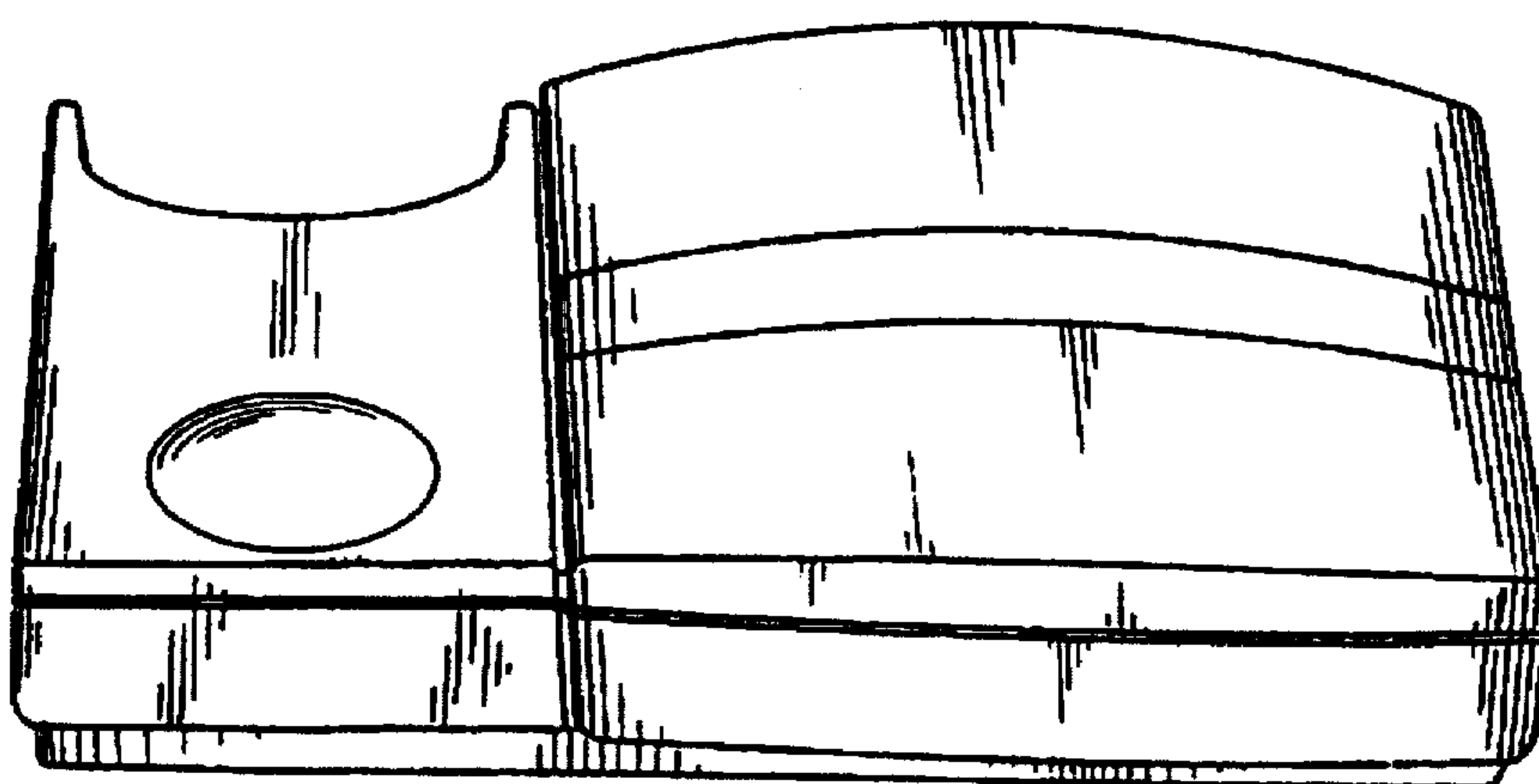
*FIG. 2*



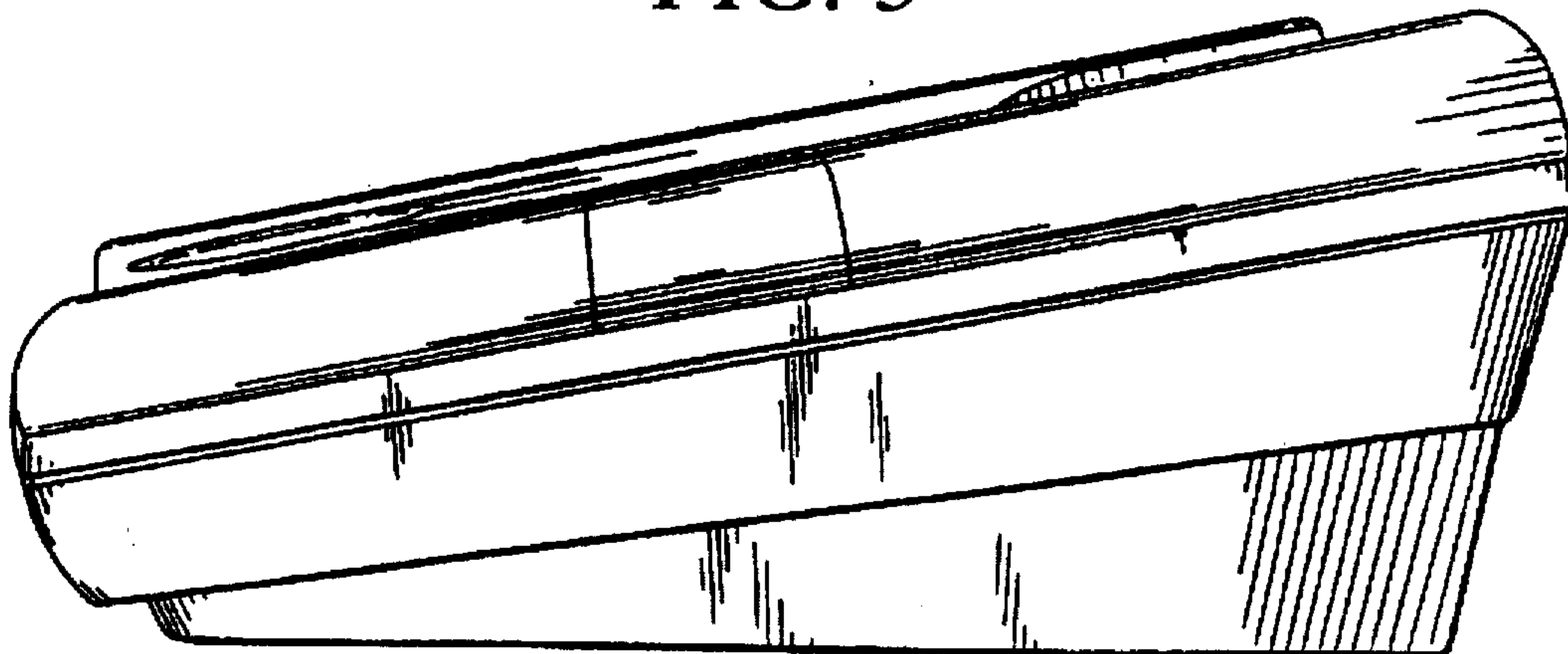
*FIG. 3*



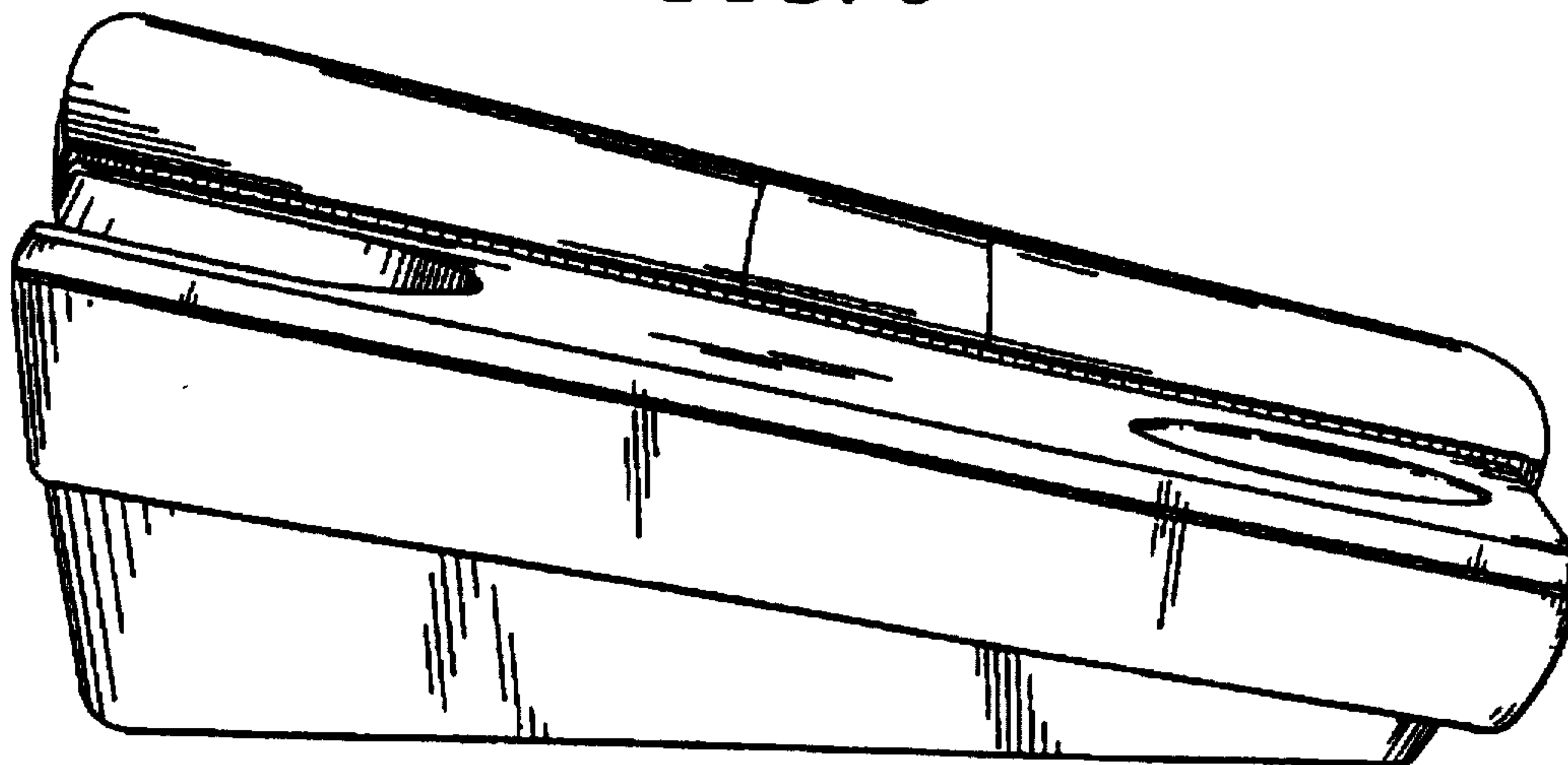
*FIG. 4*



*FIG. 5*



*FIG. 6*



*FIG. 7*

