



US00D384655S

# United States Patent [19]

**Knoop**

[11] **Patent Number: Des. 384,655**

[45] **Date of Patent: \*\*Oct. 7, 1997**

[54] **NOTE CARD AND BULLETIN BOARD  
EASEL ASSEMBLY FOR A COMPUTER  
MONITOR**

[75] **Inventor: Dale R. Knoop, Leawood, Kans.**

[73] **Assignee: Bettcher Industries, Inc., Birmingham,  
Ohio**

[\*\*] **Term: 14 Years**

[21] **Appl. No.: 42,820**

[22] **Filed: Aug. 18, 1995**

[51] **LOC (6) Cl. .... 14-02**

[52] **U.S. Cl. .... D14/114; D6/314; D6/419;  
D19/88; D19/91**

[58] **Field of Search .... D14/100, 114,  
D14/115; D19/65, 75, 76, 84, 88, 90, 91,  
99, 100; 40/341, 349, 350, 352; D6/314,  
419; 248/441.1, 442.2, 444.1, 447.2, 451,  
452, 917-924**

[56] **References Cited**

**U.S. PATENT DOCUMENTS**

D. 278,109	3/1985	Leeds	.....	D19/91	X
D. 370,355	6/1996	Kenney	.....	D6/314	
2,434,860	1/1948	Oxley	.....	D6/314	X
4,199,173	4/1980	Greenlees	.....	248/451	X
4,575,037	3/1986	Hammar	.....	248/441.1	
5,104,087	4/1992	Wentzloff et al.	.....	D14/114	X

*Primary Examiner—Freda Nunn*

*Attorney, Agent, or Firm—Watts, Hoffman, Fisher & Heinke  
Co., L.P.A.*

[57] **CLAIM**

The ornamental design for a note card and bulletin board easel assembly for a computer monitor, as shown and described.

**DESCRIPTION**

FIG. 1 is a top, front, right side perspective view of a note card and bulletin board easel assembly for a computer monitor; the broken lines indicating a computer monitor are shown for illustrative purposes only;

FIG. 2 is an enlarged top front right side perspective view thereof;

FIG. 3 is a front elevational view thereof;

FIG. 4 is a rear elevational view thereof;

FIG. 5 is a right side elevational view thereof, the left side being a mirror image thereof;

FIG. 6 is a top plan view thereof;

FIG. 7 is a bottom plan view thereof;

FIG. 8 is a top, front, right side perspective view of a note card easel assembly for a computer monitor, showing a modified embodiment of my new design;

FIG. 9 is a front elevational view thereof;

FIG. 10 is a rear elevational view thereof;

FIG. 11 is a right side elevational view thereof, the left side being a mirror image thereof;

FIG. 12 is a top plan view thereof; and,

FIG. 13 is a bottom plan view thereof.

**1 Claim, 7 Drawing Sheets**

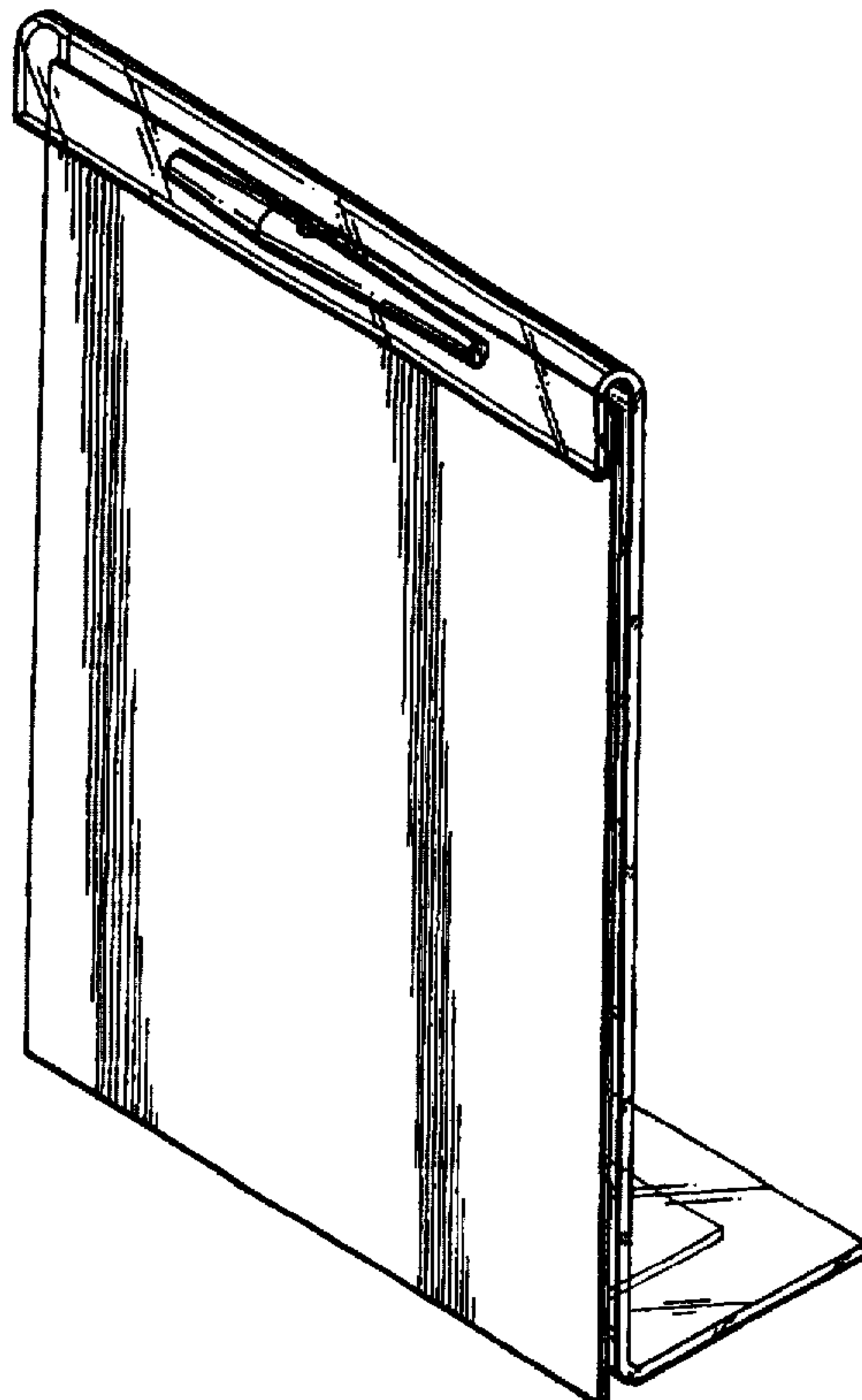
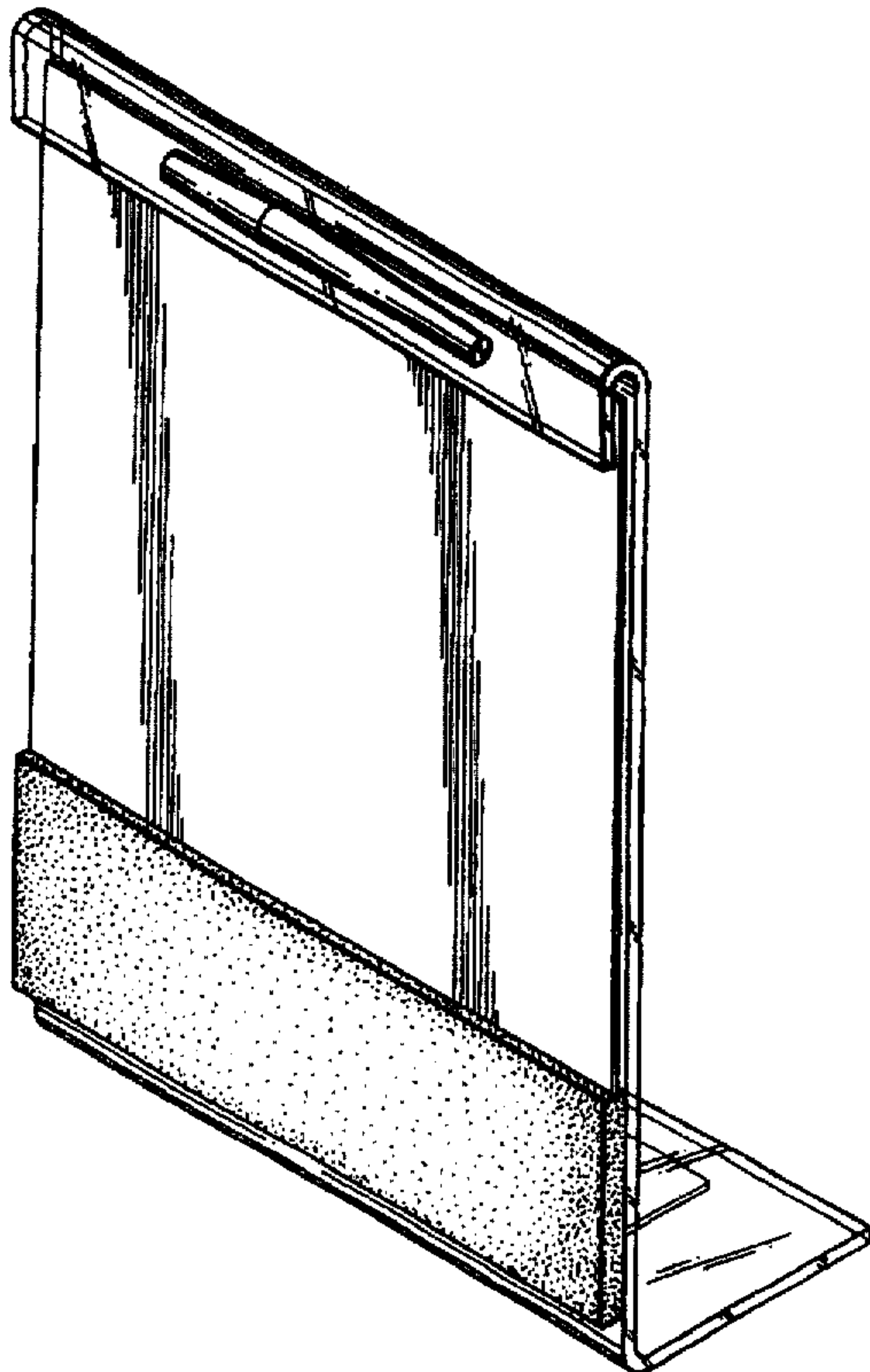
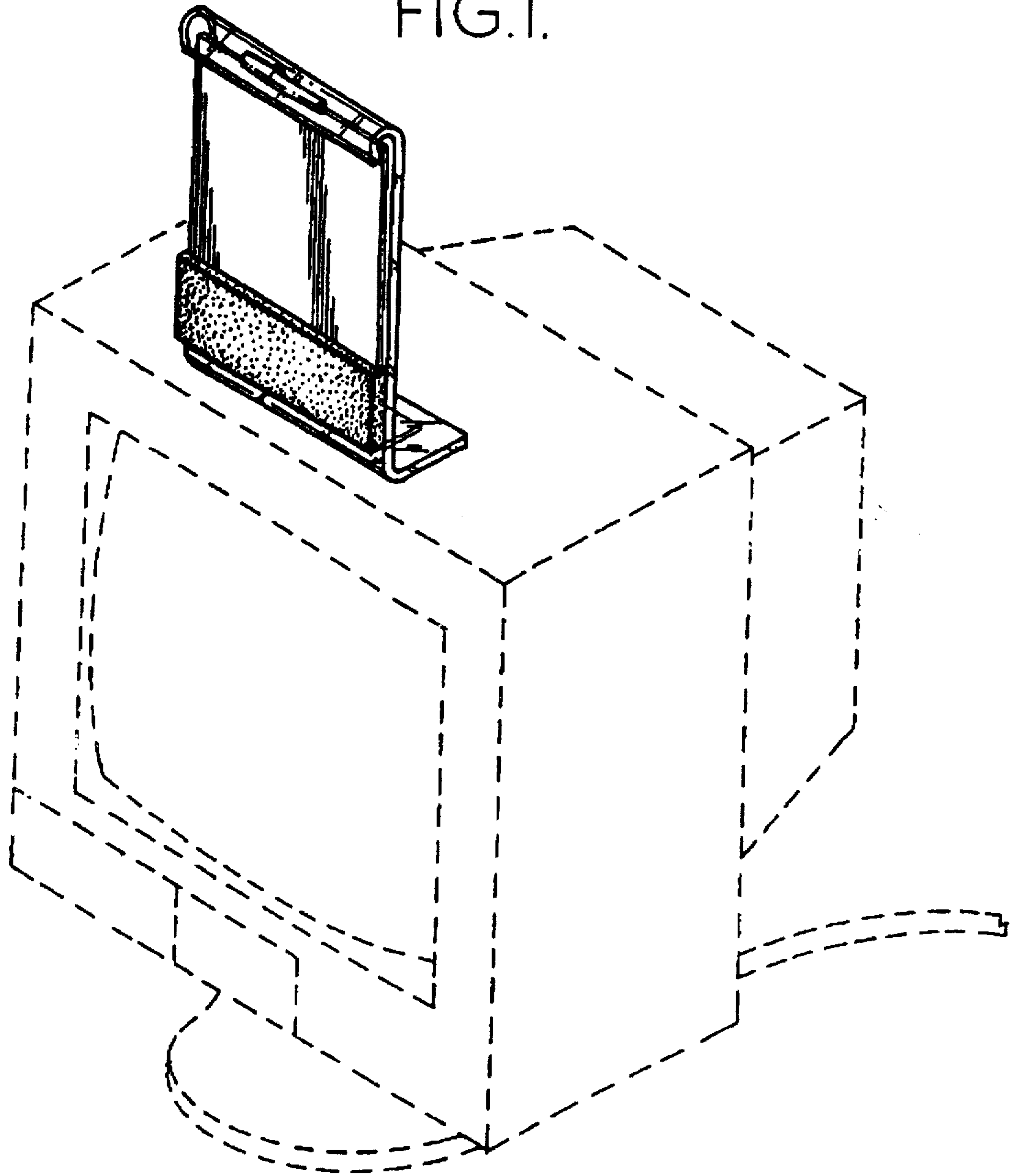


FIG.1.



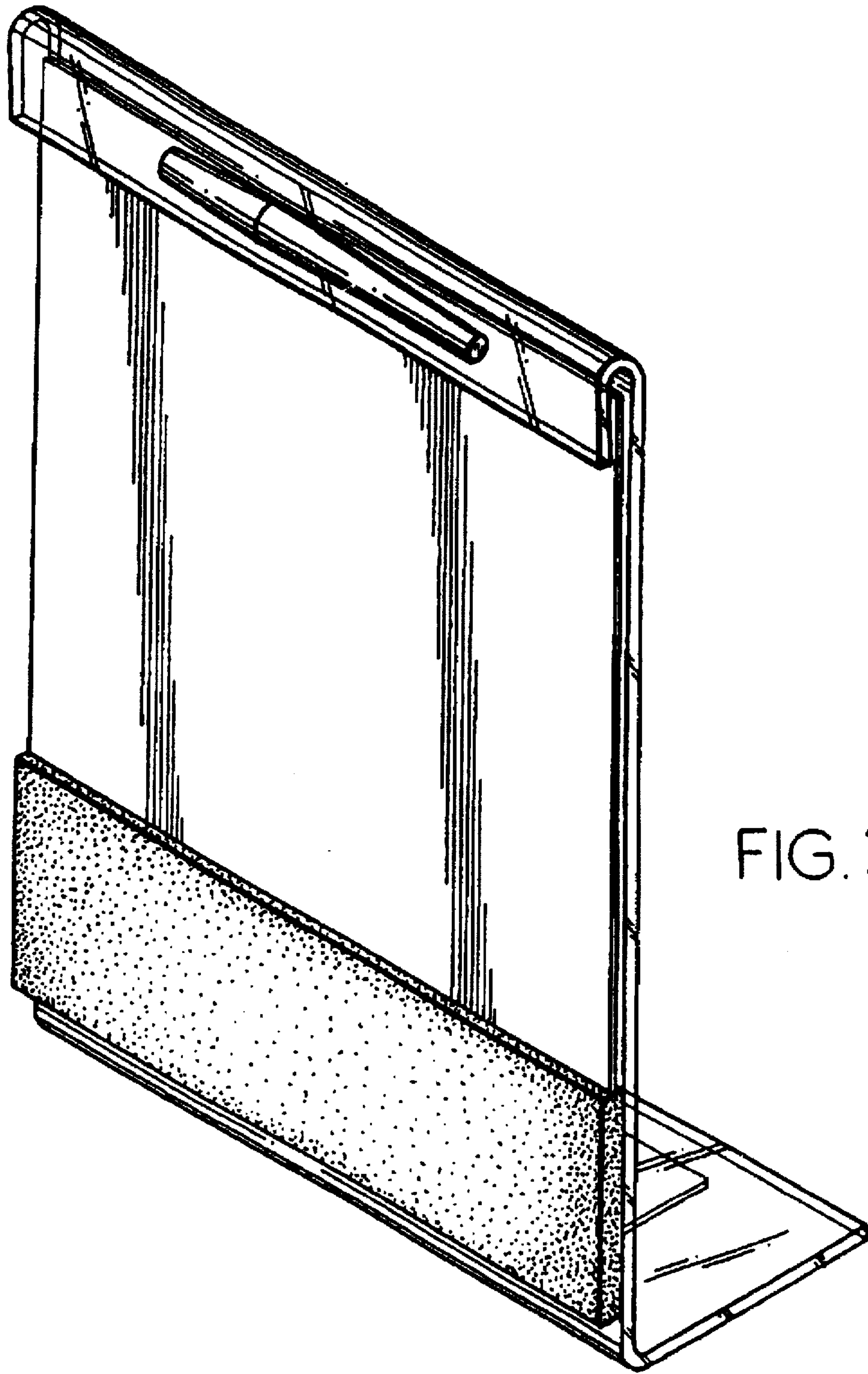


FIG. 2.

FIG.5.

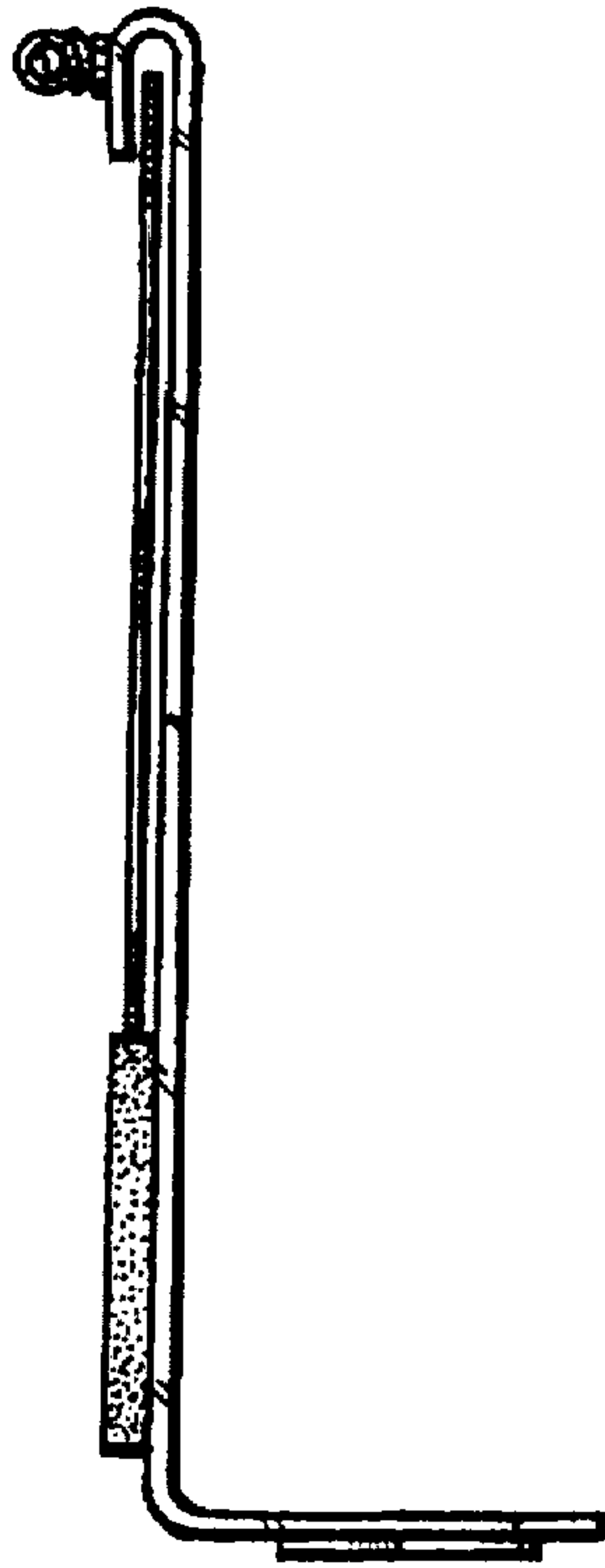


FIG.3.

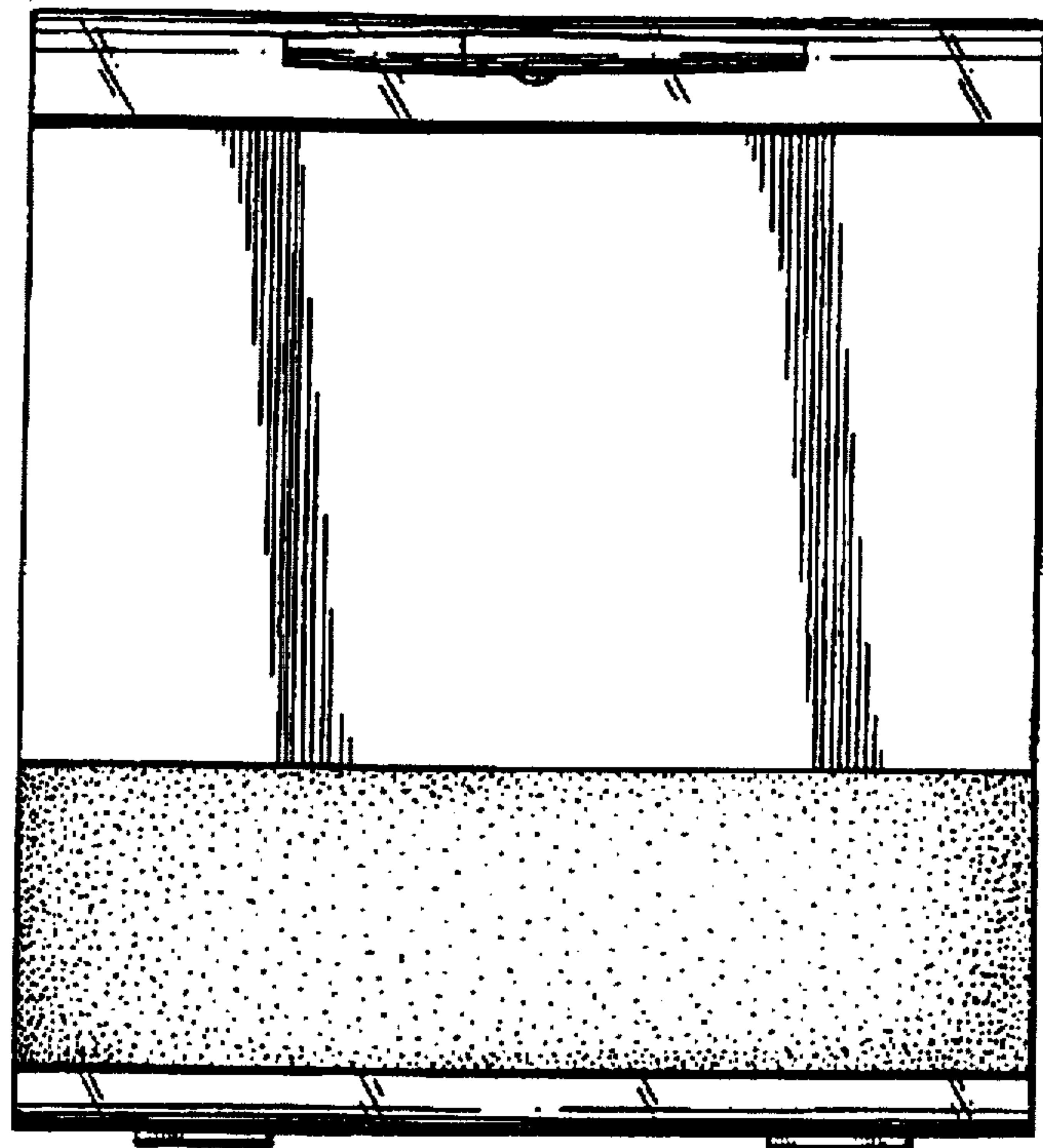


FIG.6.

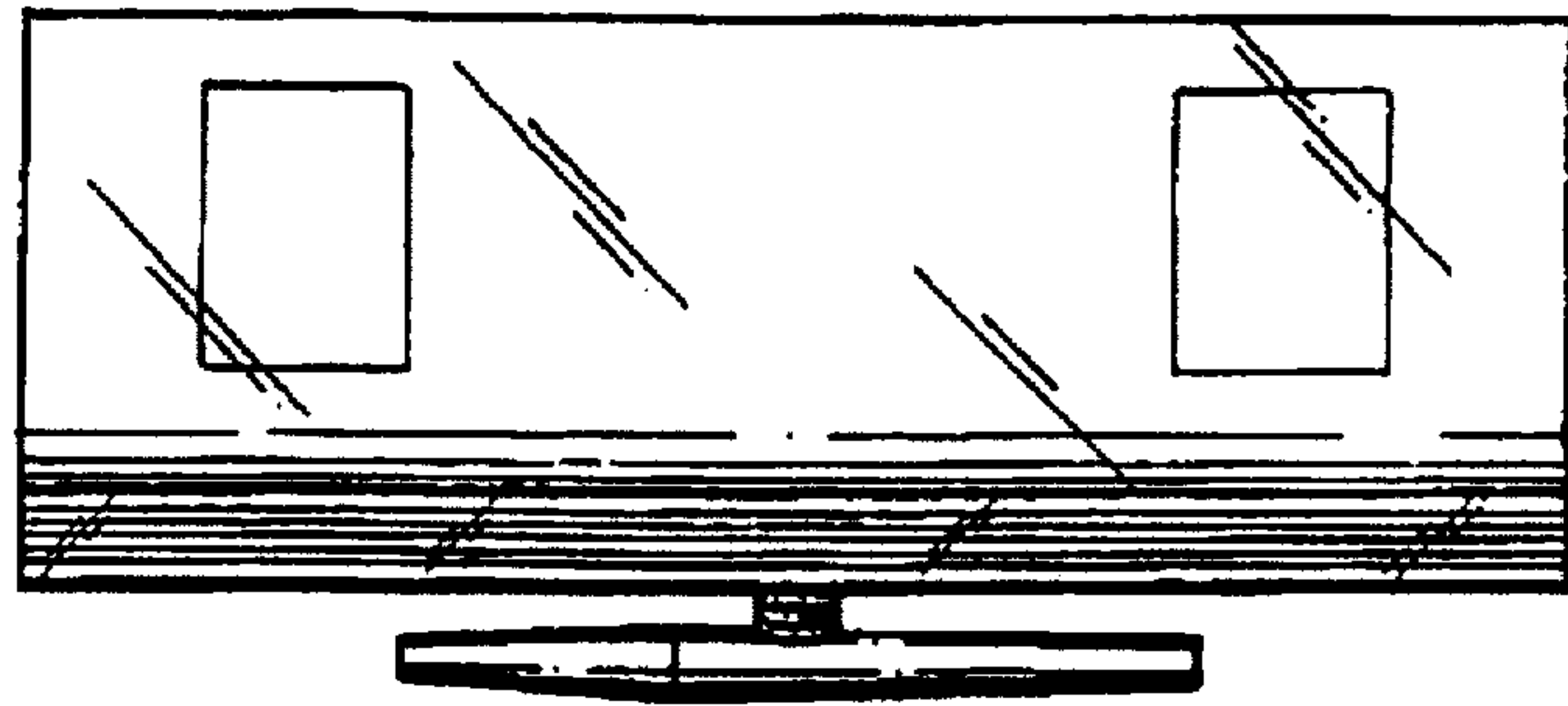




FIG. 7.

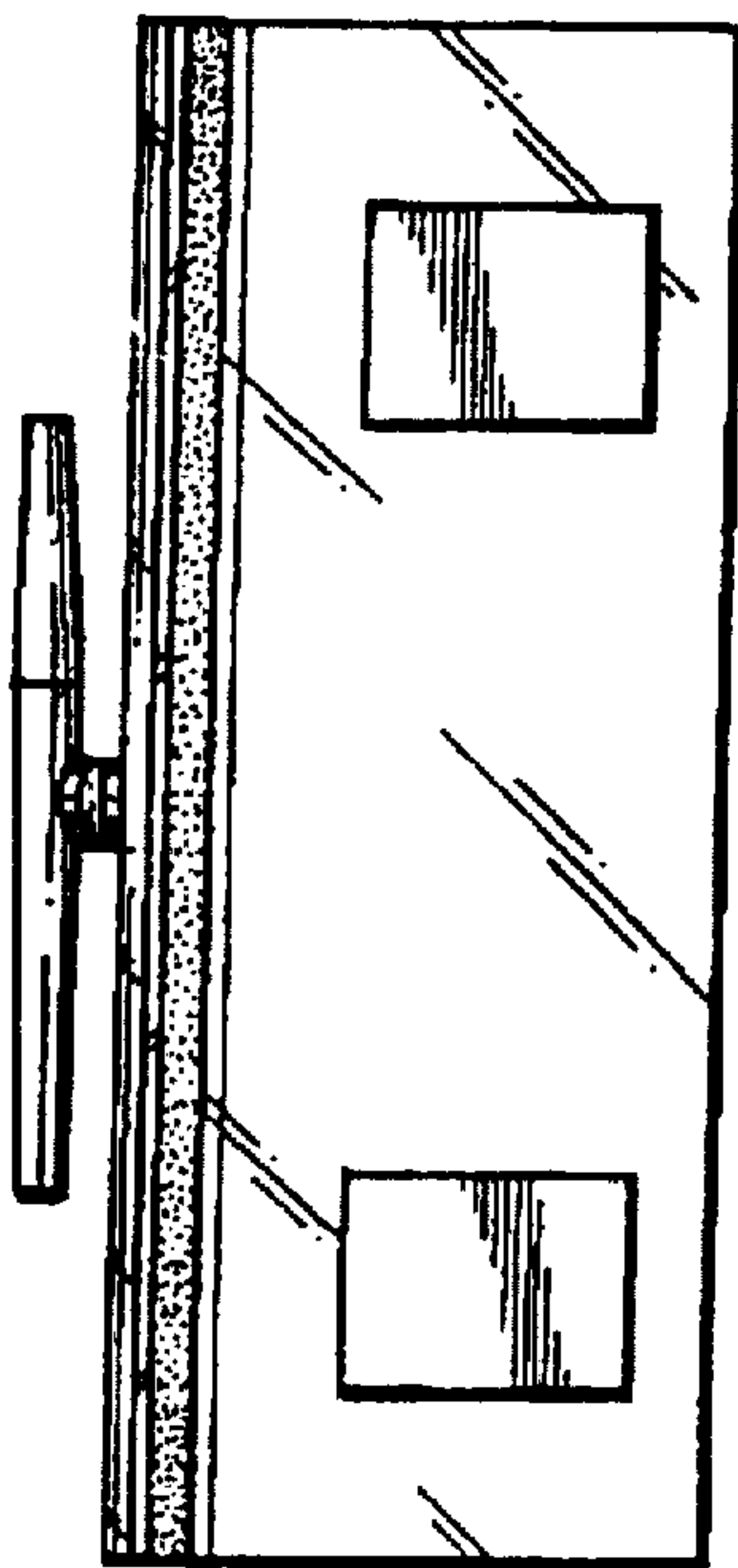
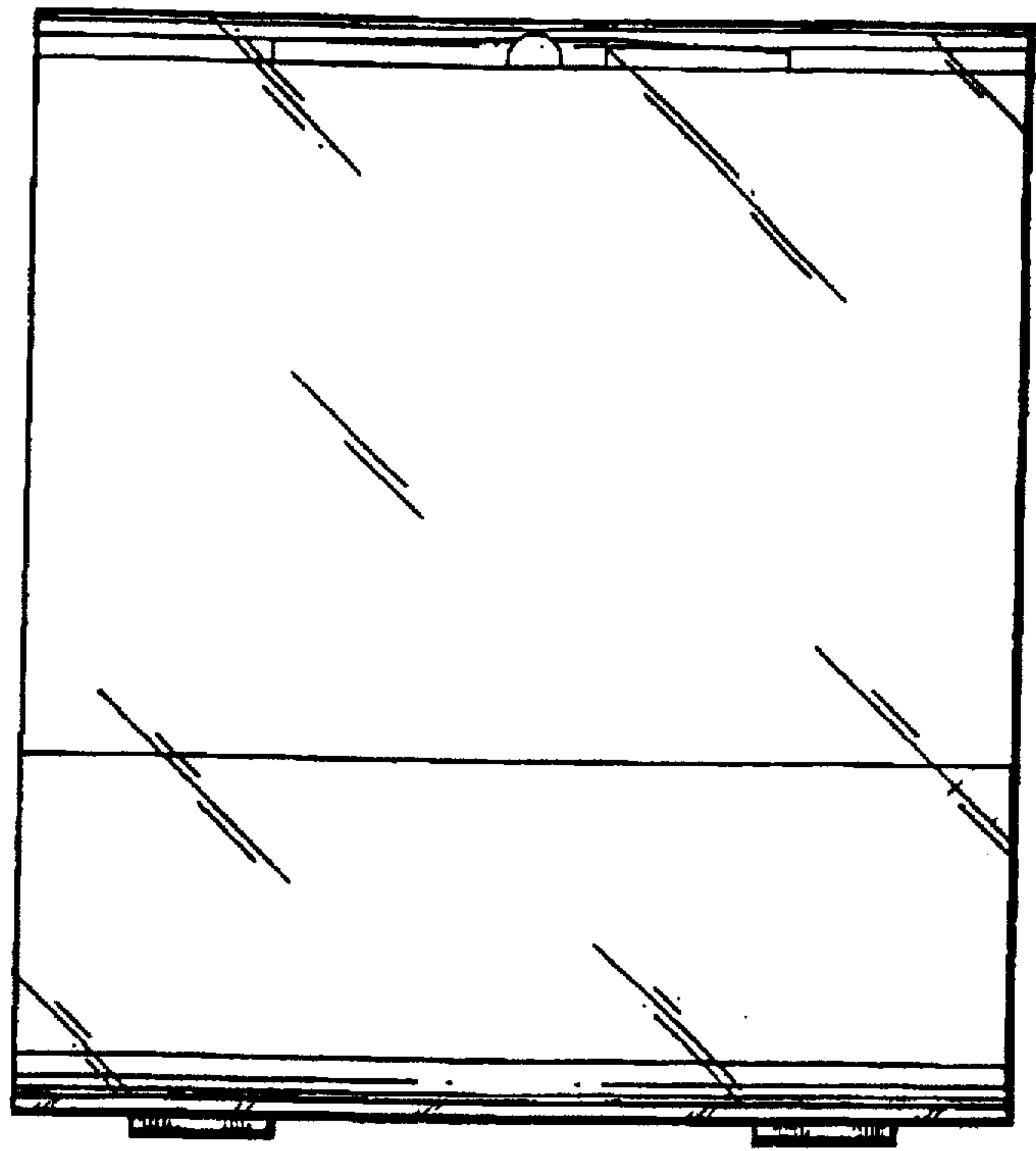


FIG. 4.



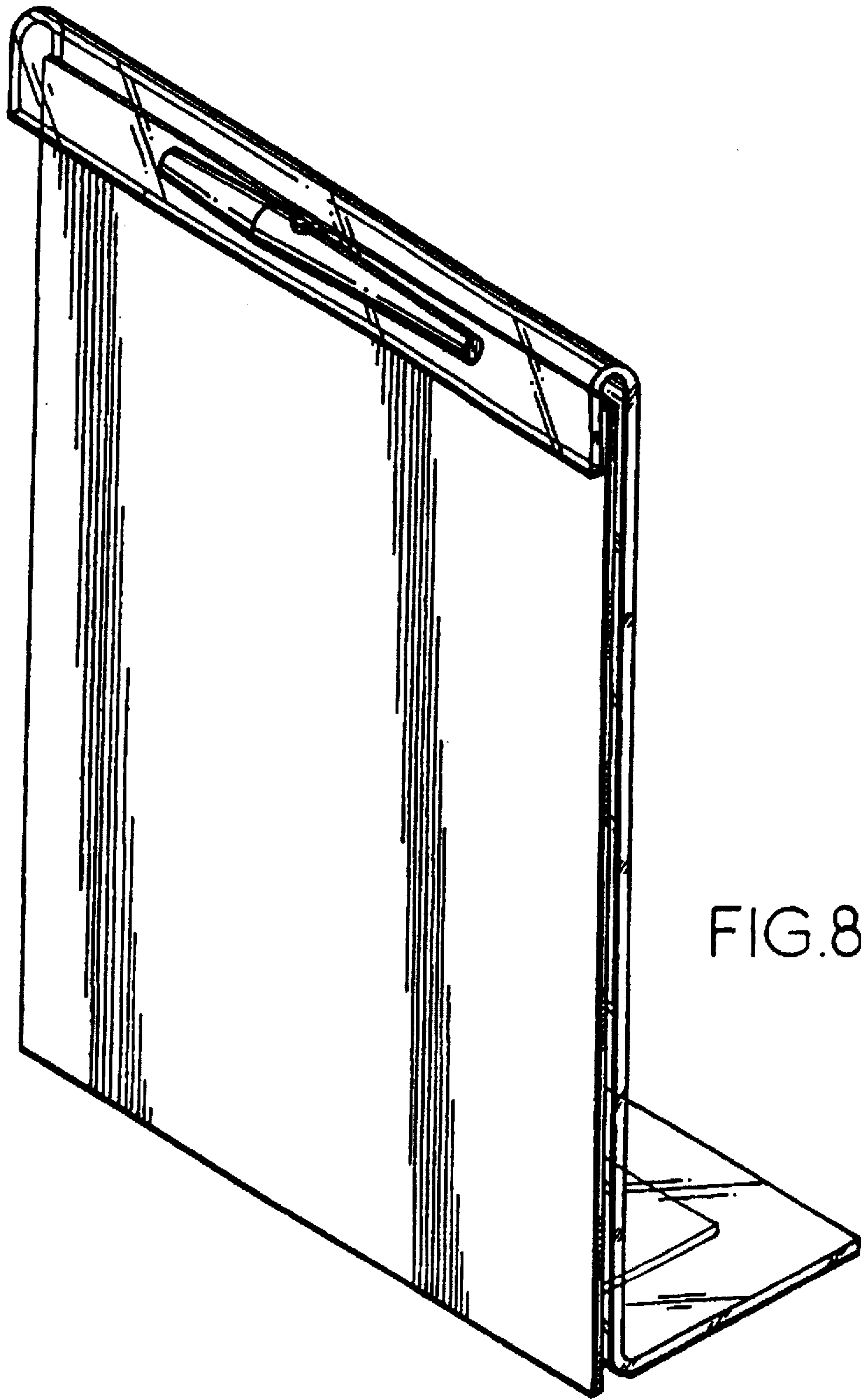


FIG.8.

FIG. 11.

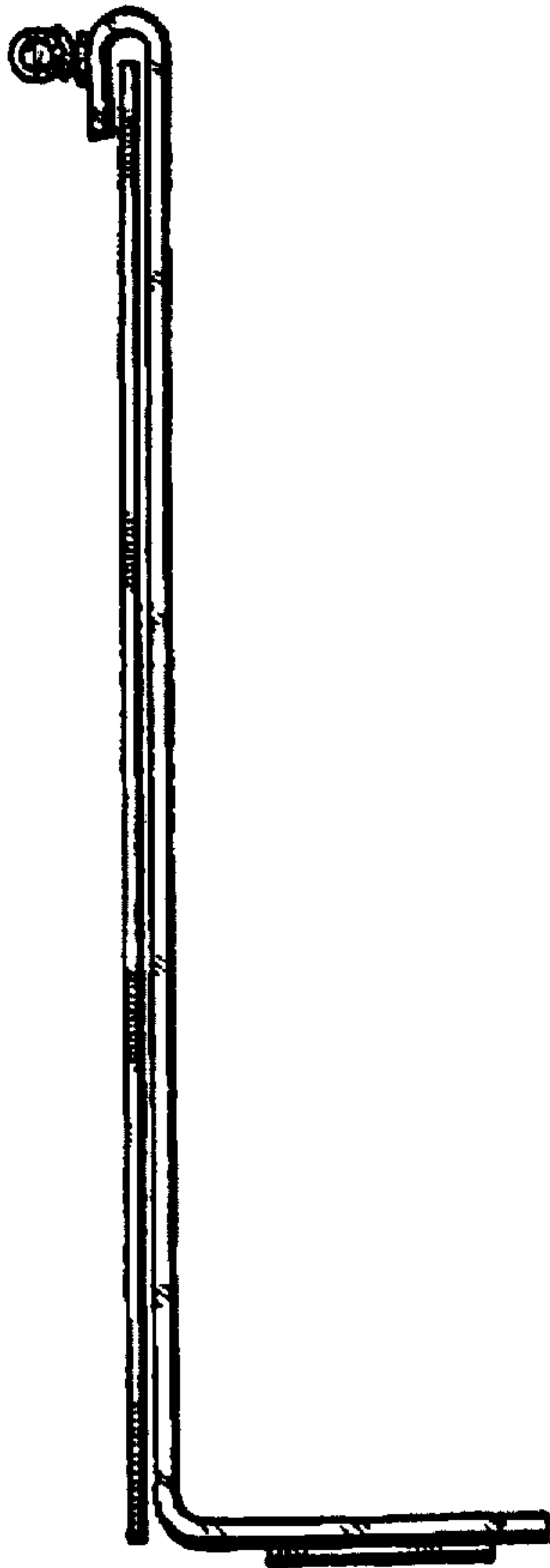


FIG. 9.

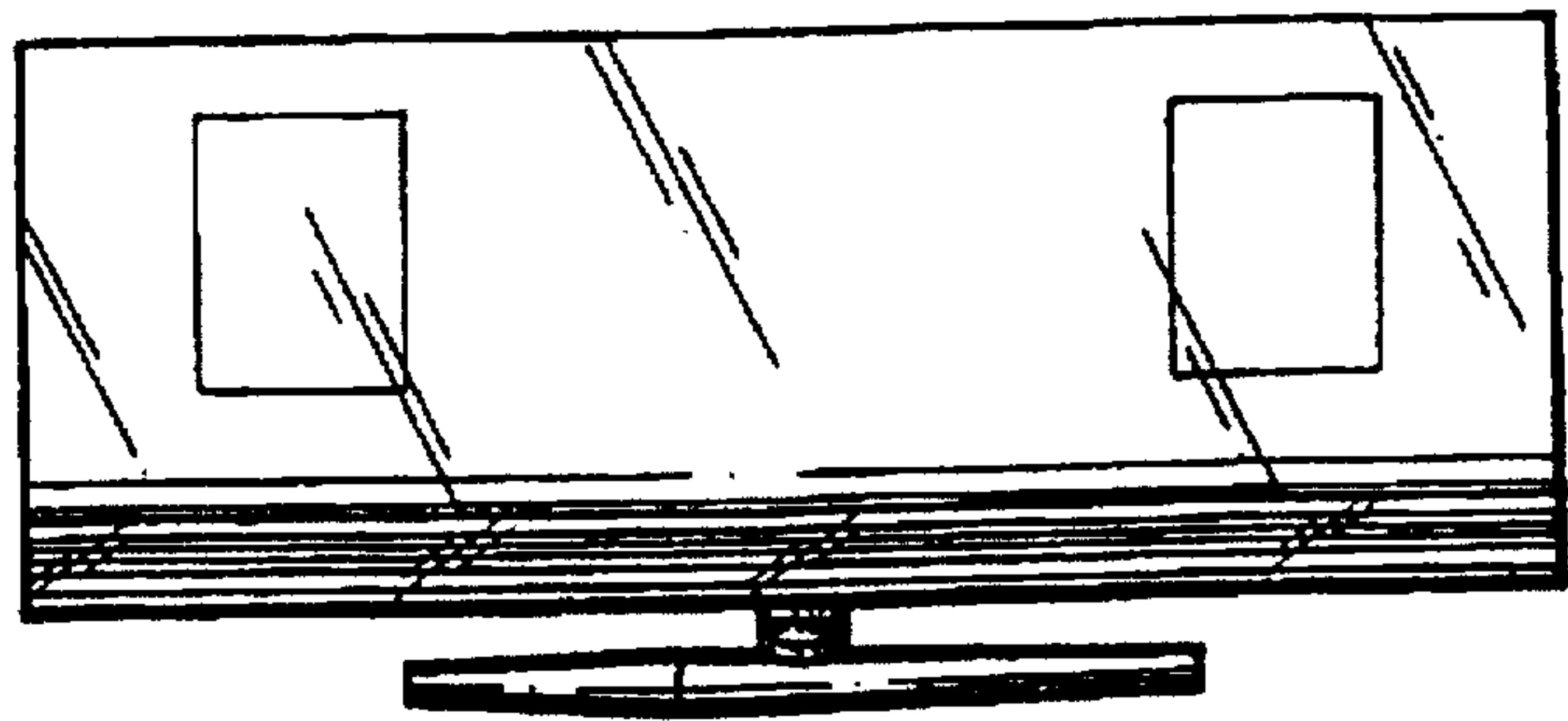
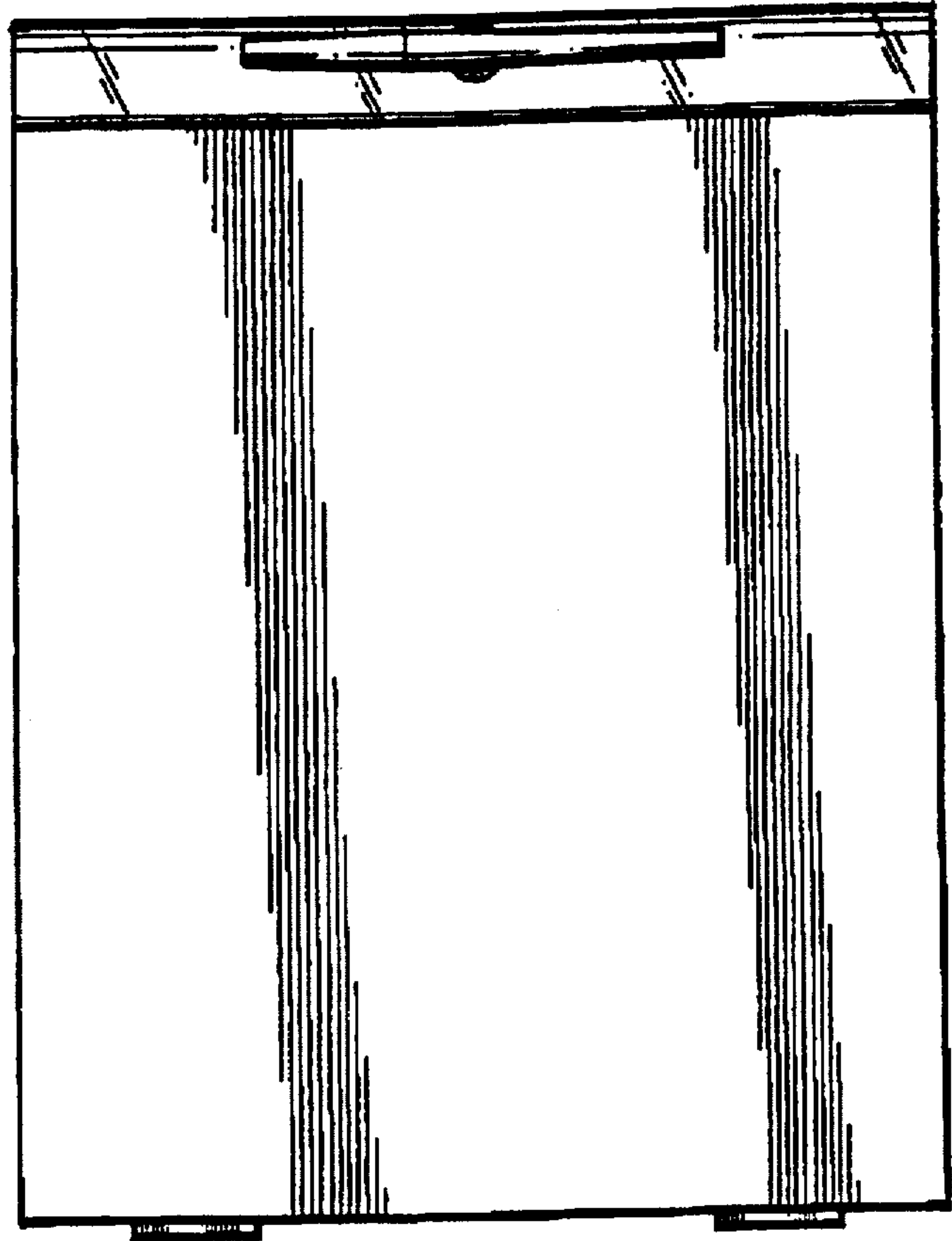


FIG. 12.

FIG.13.

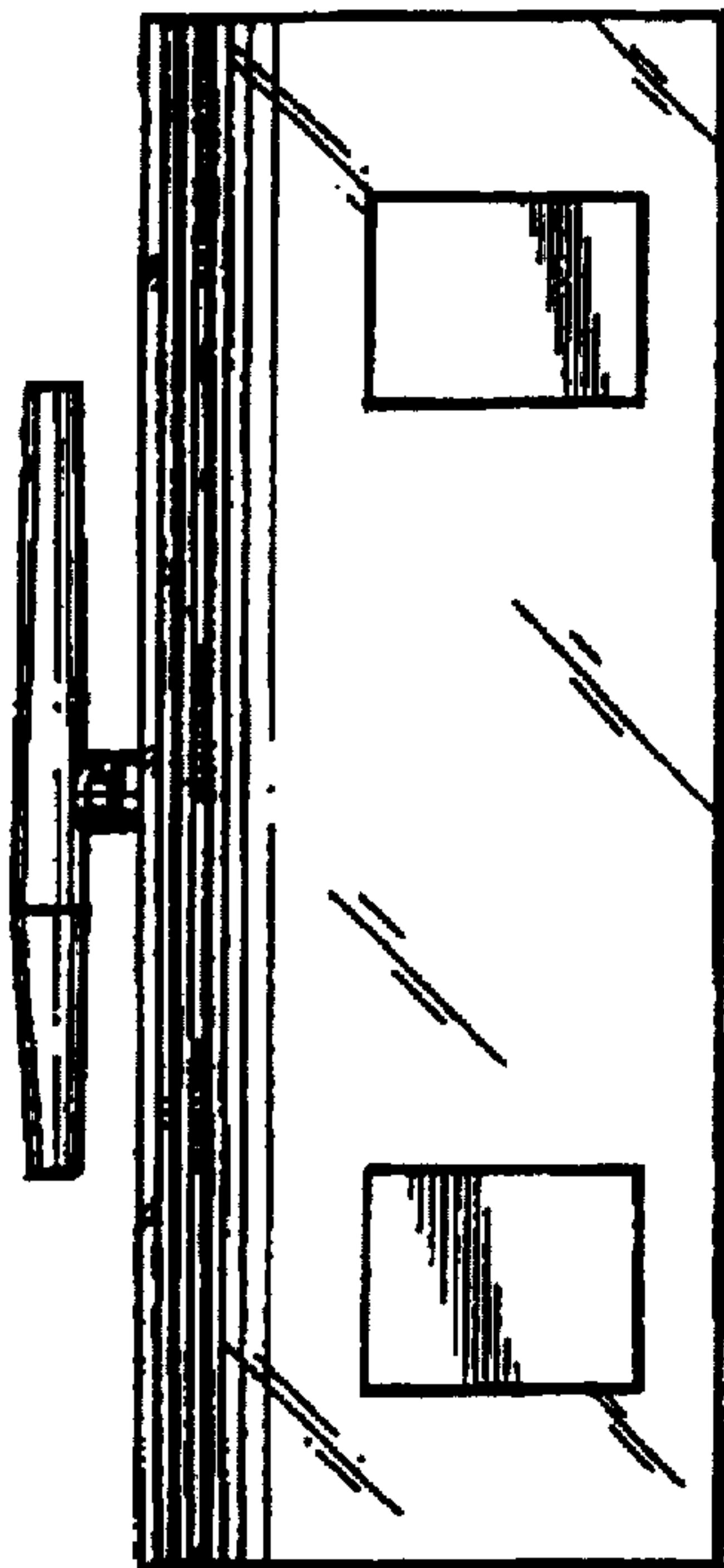
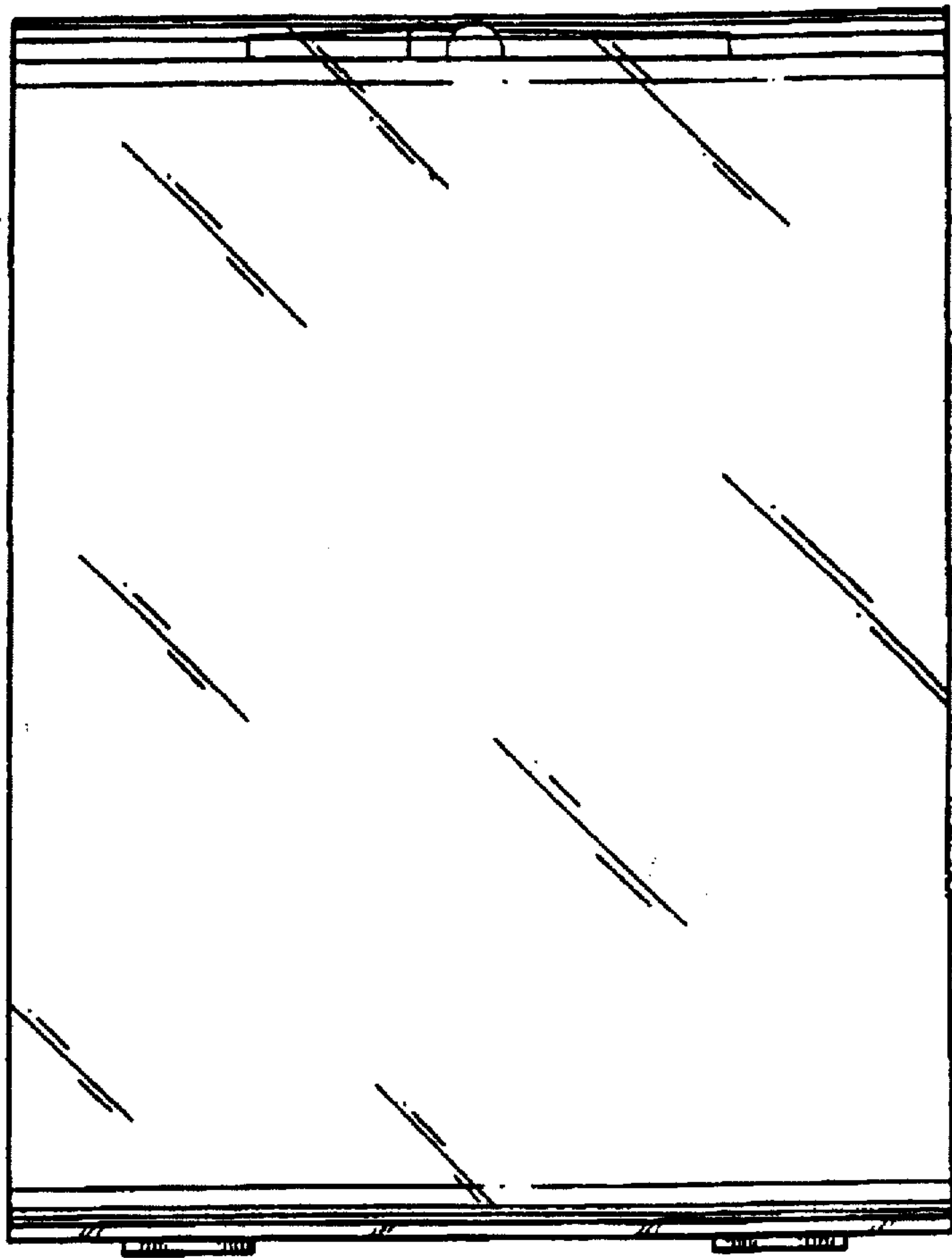


FIG.10.





UNITED STATES PATENT AND TRADEMARK OFFICE  
**CERTIFICATE OF CORRECTION**

PATENT NO. : Des. 384,655  
DATED : October 7, 1997  
INVENTOR(S) : Dale R. Knoop

It is certified that error appears in the above-identified patent and that said Letters Patent is hereby corrected as shown below:

On the title page, Attorney, Agent, or Firm should read –Litman, McMahon & Brown--.

Signed and Sealed this  
Twelfth Day of January, 1999

*Attest:*



*Attesting Officer*

*Acting Commissioner of Patents and Trademarks*