

US00D384654S

United States Patent [19]

[11] Patent Number: **Des. 384,654**

Denny et al.

[45] Date of Patent: ****Oct. 7, 1997**

[54] **VISUAL DISPLAY UNIT**

[75] Inventors: **Ian McFarlane Denny**, Greenock;
Gordon Grant; **Michael Horton Sharp**, both of Renfrewshire, all of
United Kingdom

[73] Assignee: **International Business Machines Corporation**, Armonk, N.Y.

[**] Term: **14 Years**

[21] Appl. No.: **56,695**

[22] Filed: **Jul. 8, 1996**

[30] **Foreign Application Priority Data**

Jan. 25, 1996 [GB] United Kingdom 2053629

[51] **LOC (6) Cl.** **14-02**

[52] **U.S. Cl.** **D14/113; D14/126**

[58] **Field of Search** **D14/100, 101, D14/106, 113, 124-129; 345/104, 133, 156, 168, 87, 173, 901-905; 248/917-924**

[56] **References Cited**

U.S. PATENT DOCUMENTS

D. 370,664 6/1996 Oates D14/100

Primary Examiner—Freda Nunn
Attorney, Agent, or Firm—Daniel E. McConnell

[57] **CLAIM**

The ornamental design for a visual display unit, as shown.

DESCRIPTION

FIG. 1 is a perspective view from the front and left of the visual display unit of our invention;
FIG. 2 is a perspective view from the rear and right of the visual display unit of FIG. 1;
FIG. 3 is an elevation view from the front of the visual display unit of FIGS. 1 and 2;
FIG. 4 is an elevation view from the right side of the visual display unit of FIGS. 1 through 3;
FIG. 5 is an elevation view from the left side of the visual display unit of FIGS. 1 through 4;
FIG. 6 is a top plan view of the visual display unit of FIGS. 1 through 5;
FIG. 7 is an elevation view from the rear of the visual display unit of FIGS. 1 through 6; and,
FIG. 8 is a bottom plan view of the visual display unit of FIGS. 1 through 7.

1 Claim, 8 Drawing Sheets

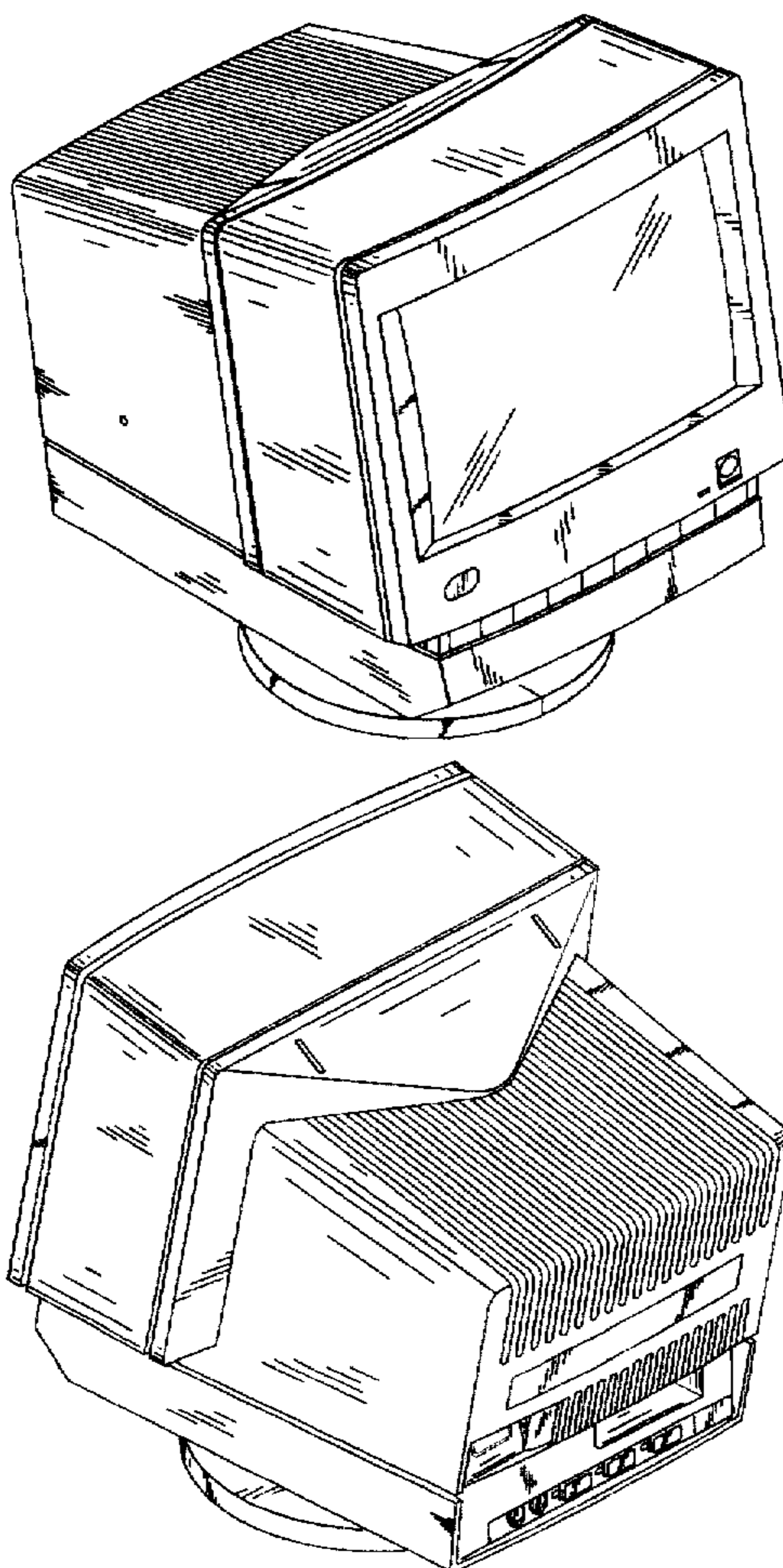


FIG. 1

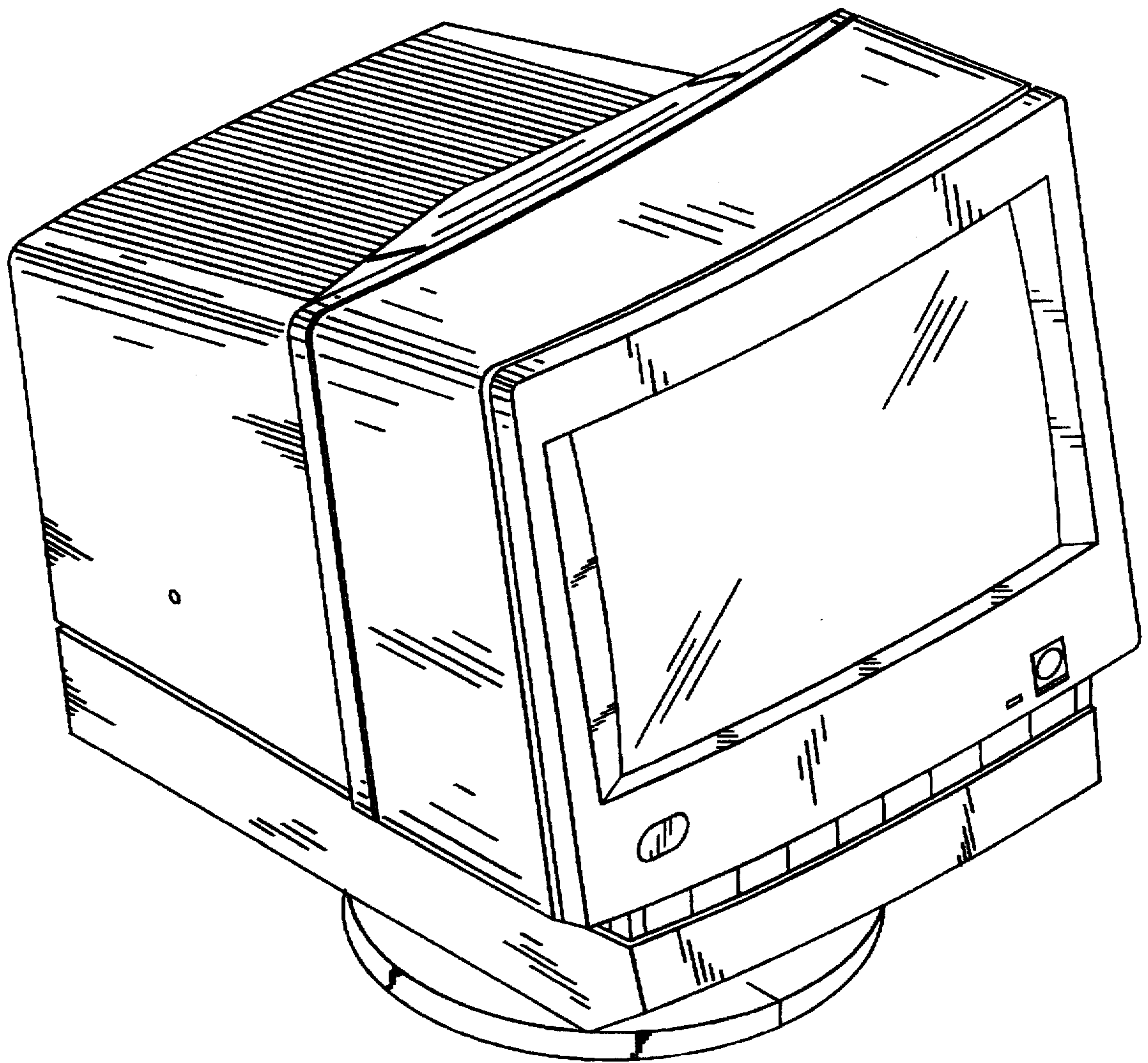


FIG. 2

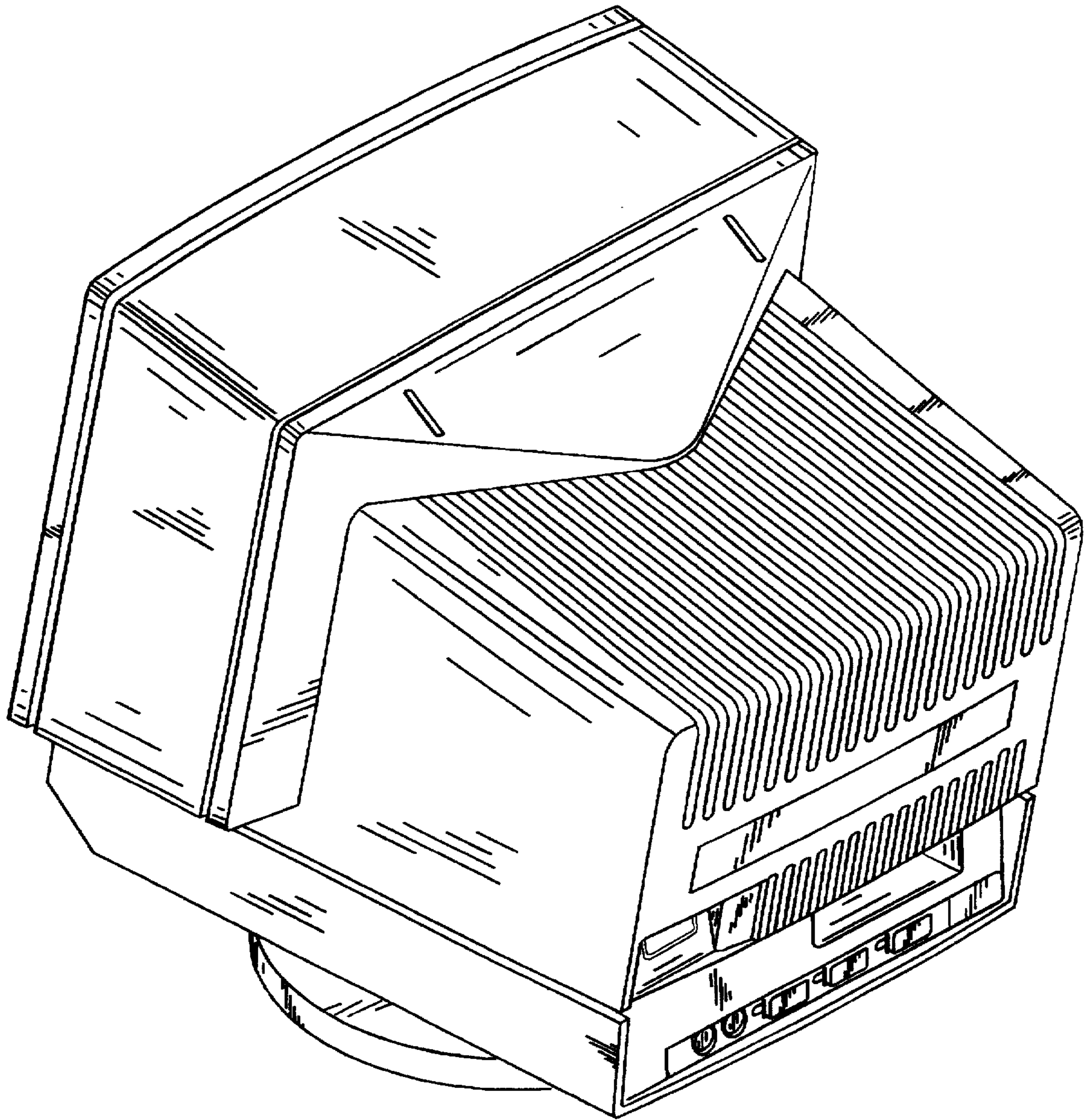


FIG. 3

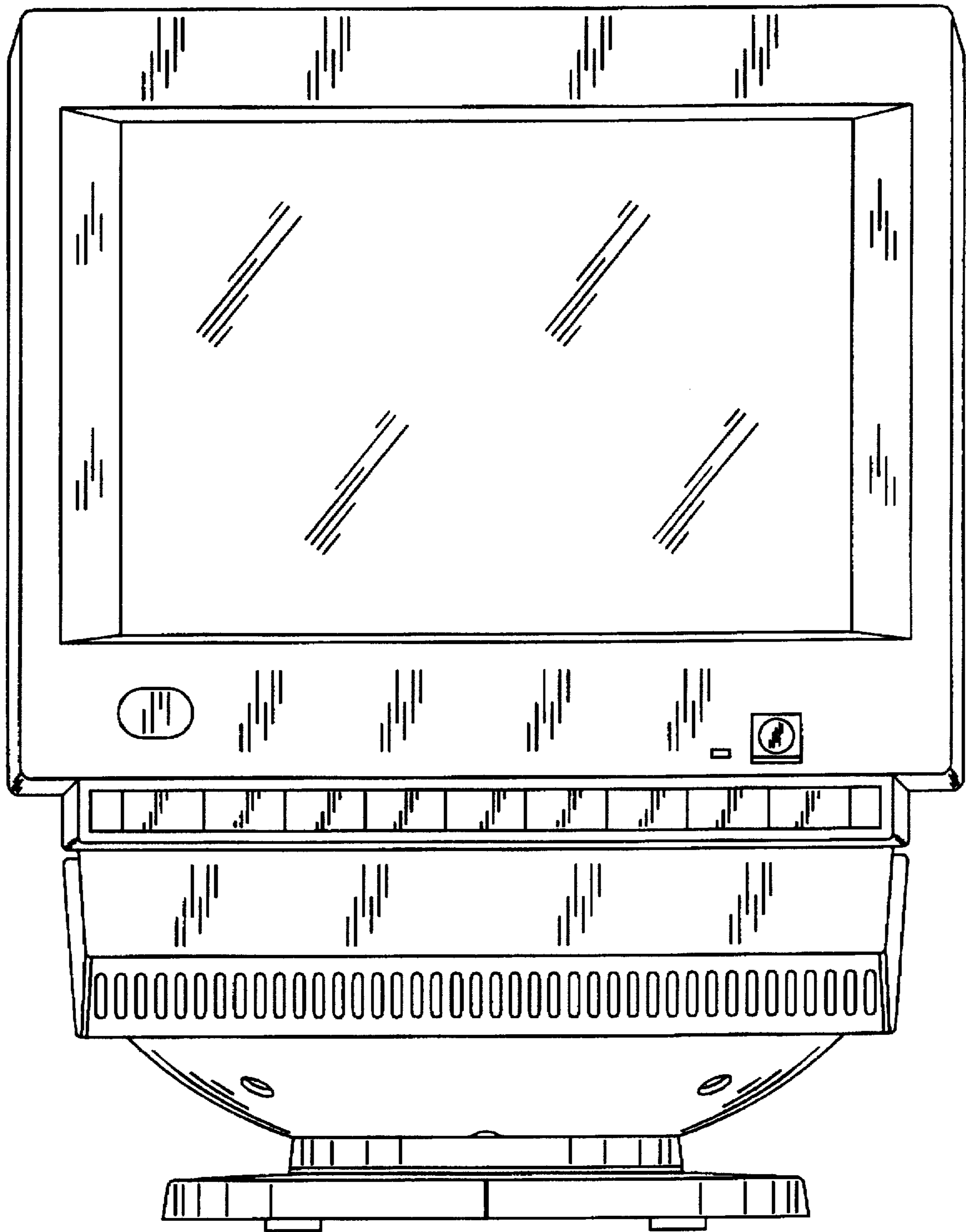


FIG. 4

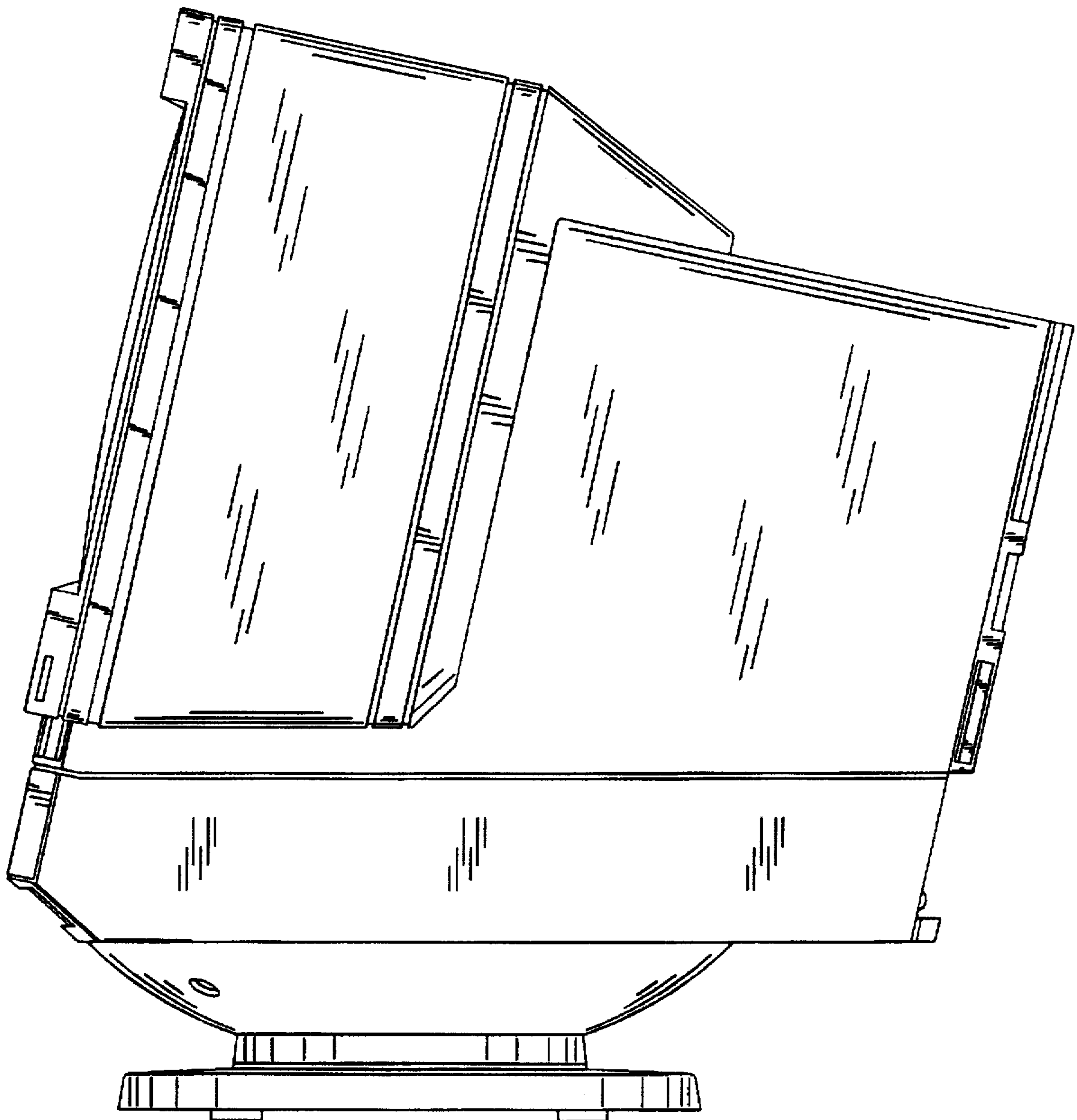


FIG. 5

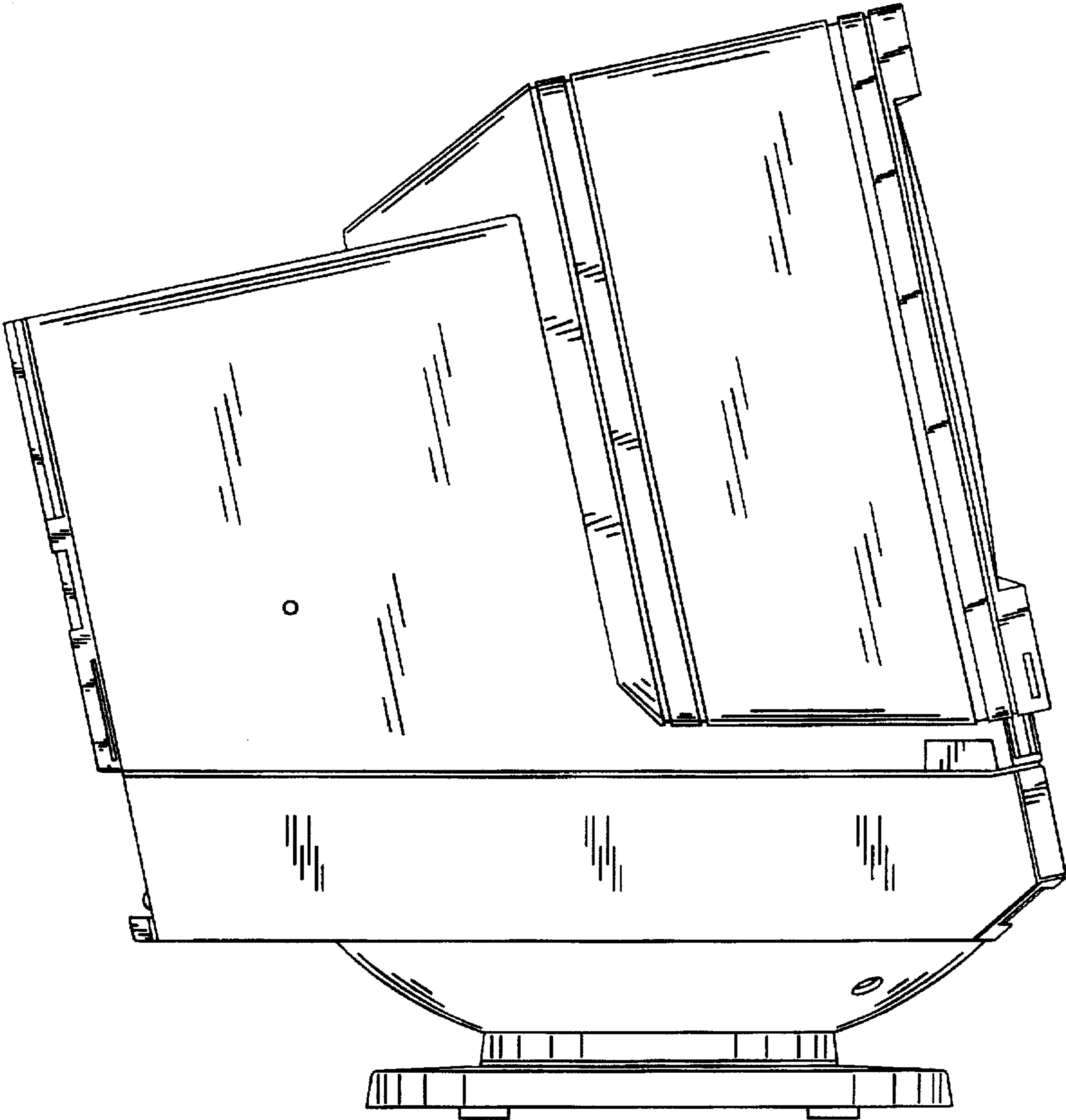


FIG. 6

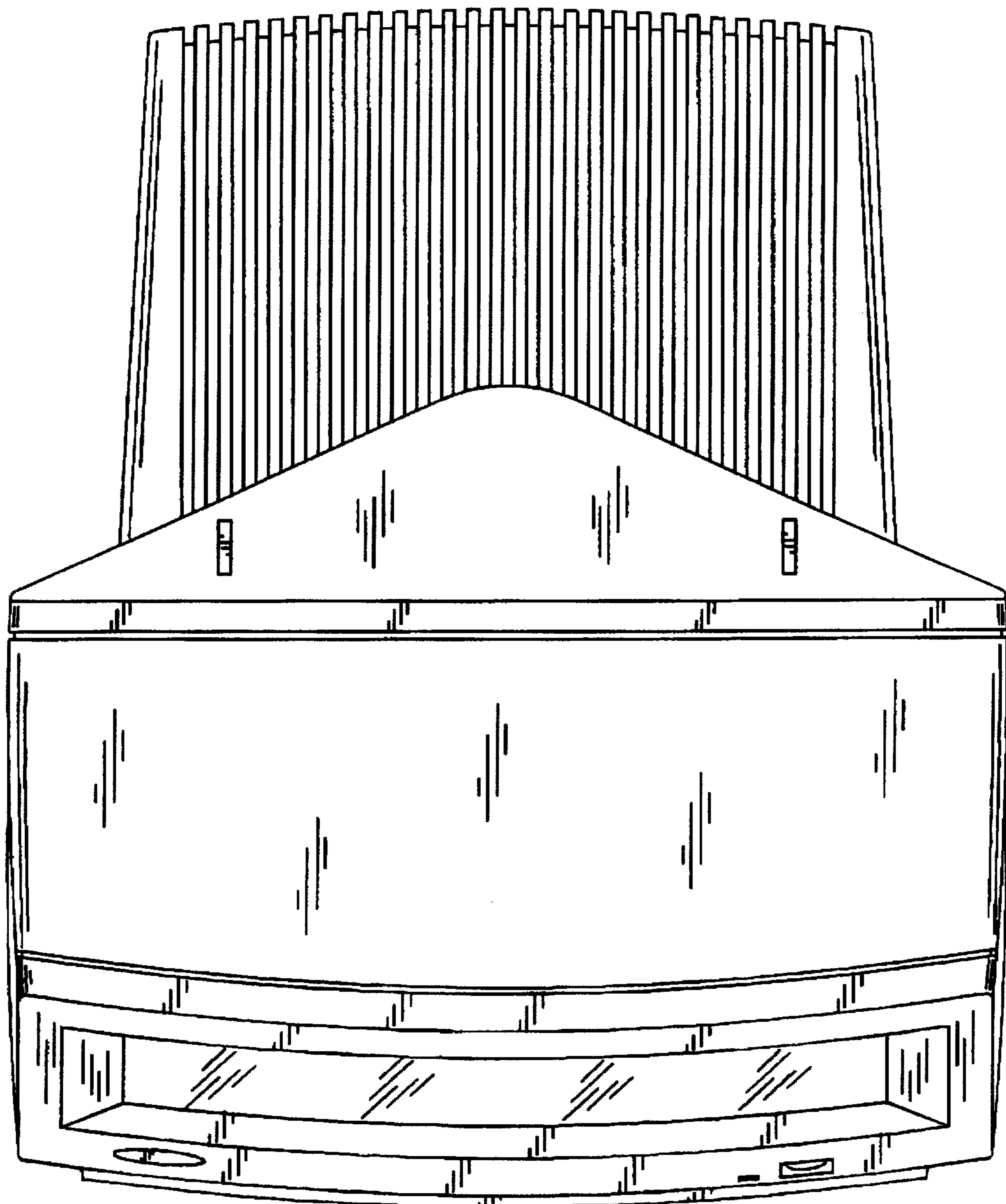


FIG. 7

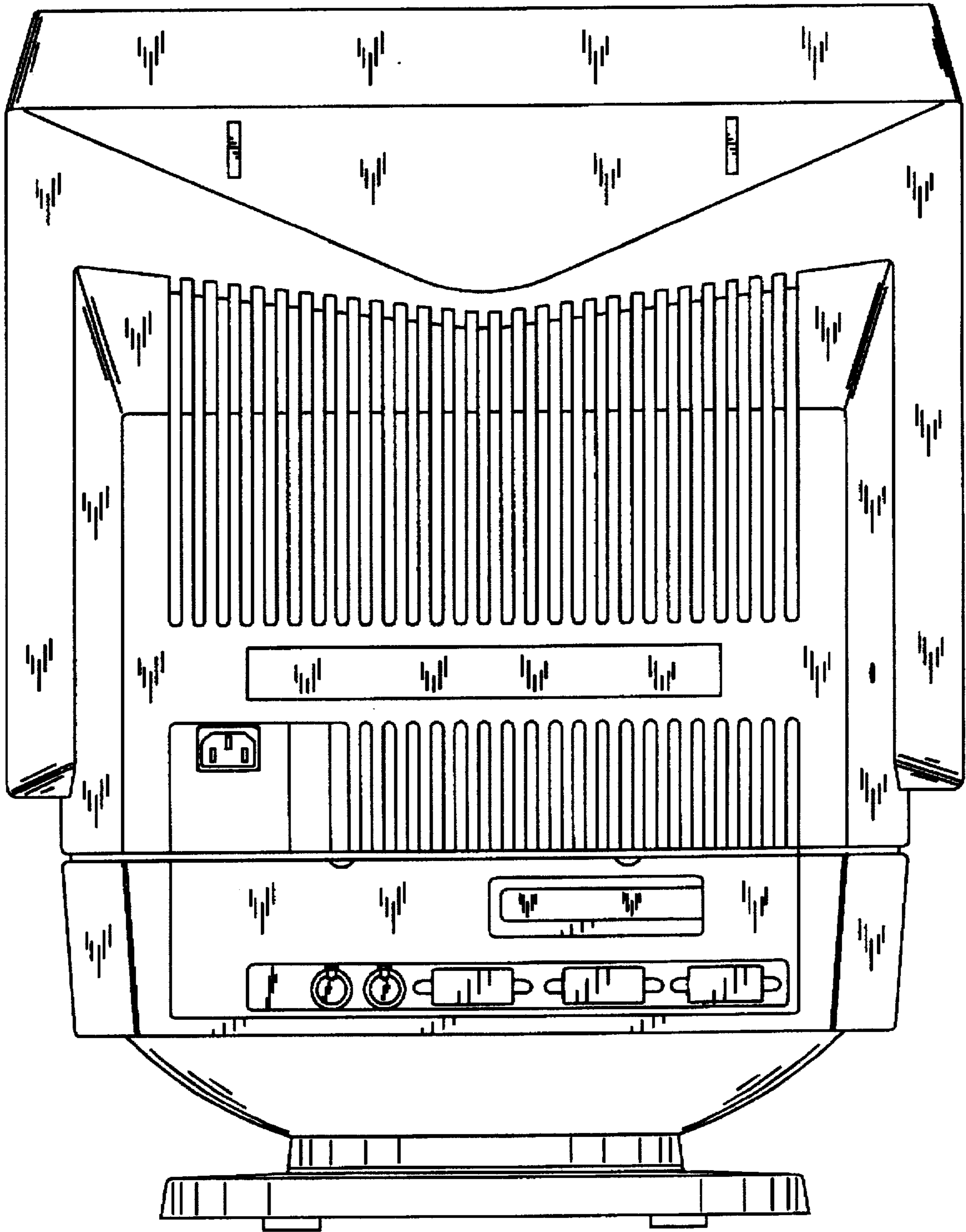


FIG. 8

