



US00D384648S

United States Patent [19]
Seiriö

[11] **Patent Number:** **Des. 384,648**
[45] **Date of Patent:** ****Oct. 7, 1997**

[54] **ENCLOSURE FOR ELECTRONIC AND ELECTRIC COMPONENTS**

[75] **Inventor:** **Jari Seiriö**, Masala, Finland

[73] **Assignee:** **Fibox oy Ab**, Jorvas, Finland

[**] **Term:** **14 Years**

[21] **Appl. No.:** **53,806**

[22] **Filed:** **Apr. 30, 1996**

[30] **Foreign Application Priority Data**

Nov. 2, 1995 [FI] Finland 740/95
Nov. 2, 1995 [FI] Finland 742/95

[51] **LOC (6) Cl.** **13-03**

[52] **U.S. Cl.** **D13/184**

[58] **Field of Search** **D13/162, 184;**
174/50, 50.52, 52.1; 220/3.8; 361/679,
686, 687, 730, 733, 752

[56] **References Cited**

U.S. PATENT DOCUMENTS

D. 283,121 3/1986 Oesterheld D13/134
D. 295,400 4/1988 Wung D13/154
D. 364,385 11/1995 Shimizu et al. D13/146 X
D. 366,457 1/1996 Pilcher D13/162
5,317,462 5/1994 Kakizaki et al. D13/184 X
5,549,487 8/1996 Nortier 439/521

FOREIGN PATENT DOCUMENTS

5458 6/1981 Finland .
439/95 6/1995 Finland .

Primary Examiner—B. J. Bullock
Assistant Examiner—Cathron B. Matta
Attorney, Agent, or Firm—Finnegan, Henderson, Farabow,
Garrett & Dunner

[57] **CLAIM**

The ornamental design for an enclosure for electronic and electric components, as shown and described.

DESCRIPTION

FIG. 1 is a perspective front view of an enclosure for electronic and electric components showing my new design; FIG. 2 is a perspective rear view thereof; FIG. 3 is a rear view thereof; FIG. 4 is a front view thereof; FIG. 5 is a side view thereof, the opposite side view being a mirror image; FIG. 6 is a top view thereof, the bottom view being a mirror image; FIG. 7 is a perspective front view of a second embodiment showing my new design; FIG. 8 is a perspective rear view thereof; FIG. 9 is a rear view thereof; FIG. 10 is a front view thereof; FIG. 11 is a side view thereof, the opposite side view being a mirror image; and, FIG. 12 is a top view thereof, the bottom view being a mirror image.

1 Claim, 5 Drawing Sheets

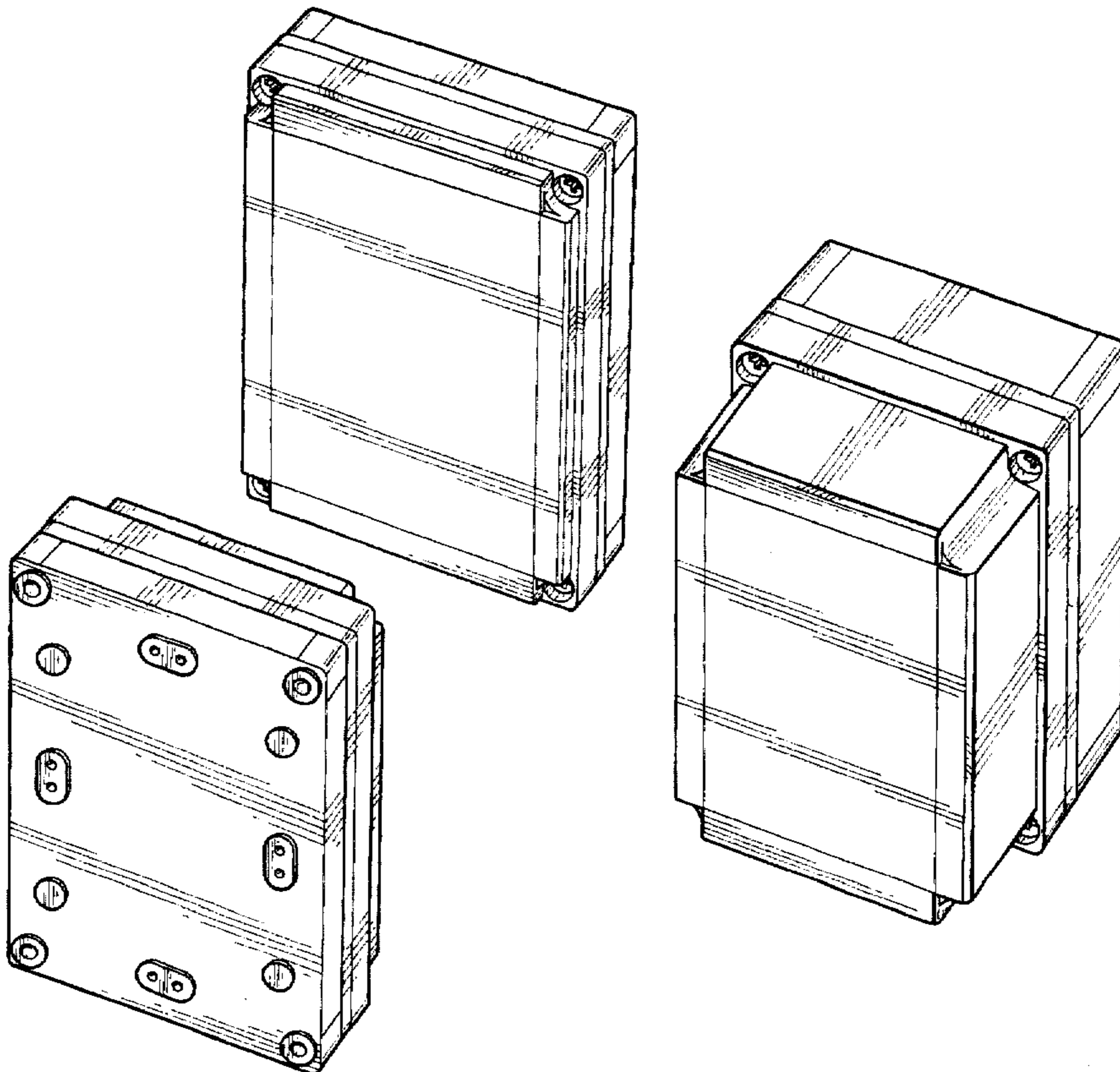


FIG. 1

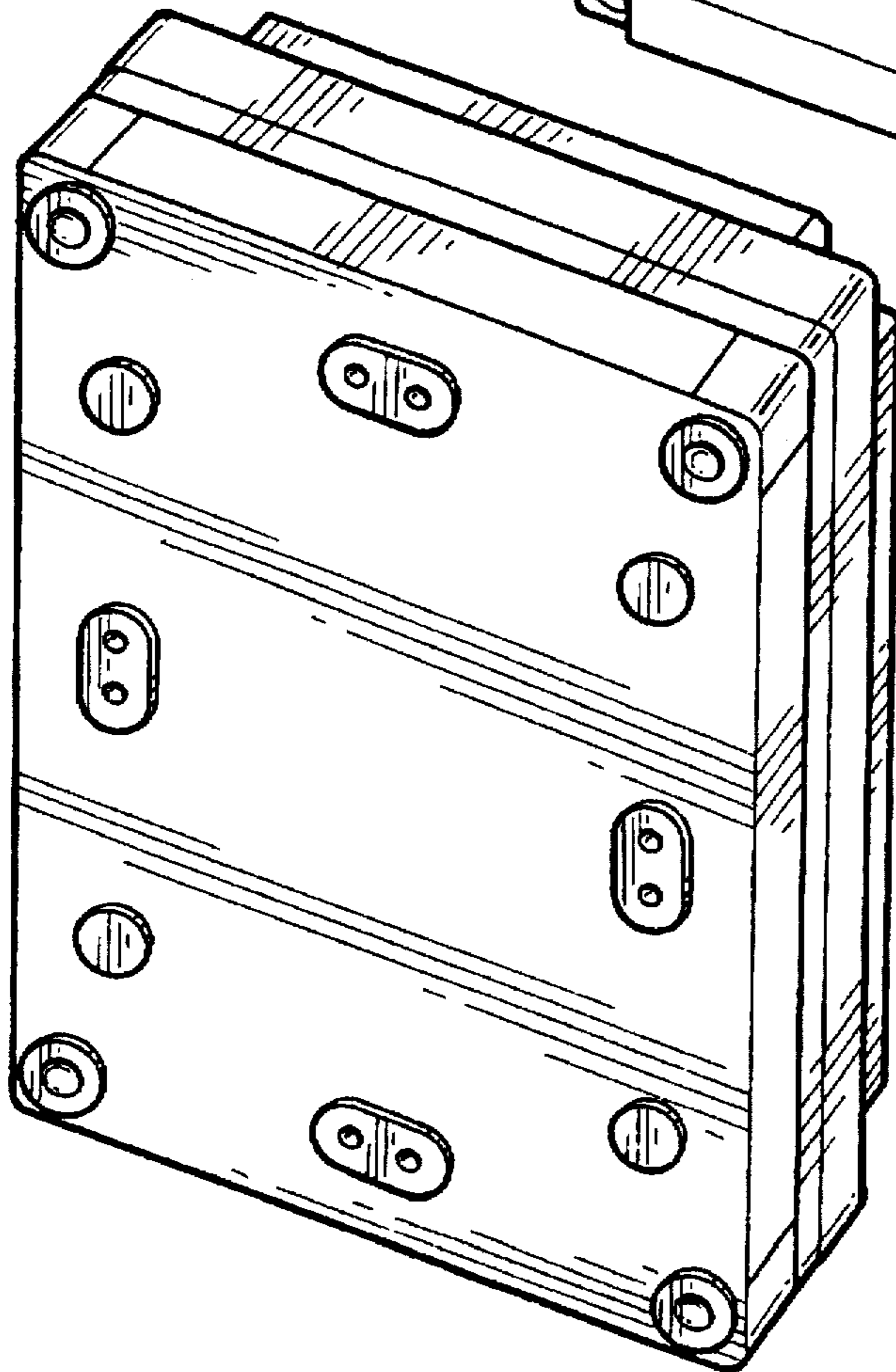
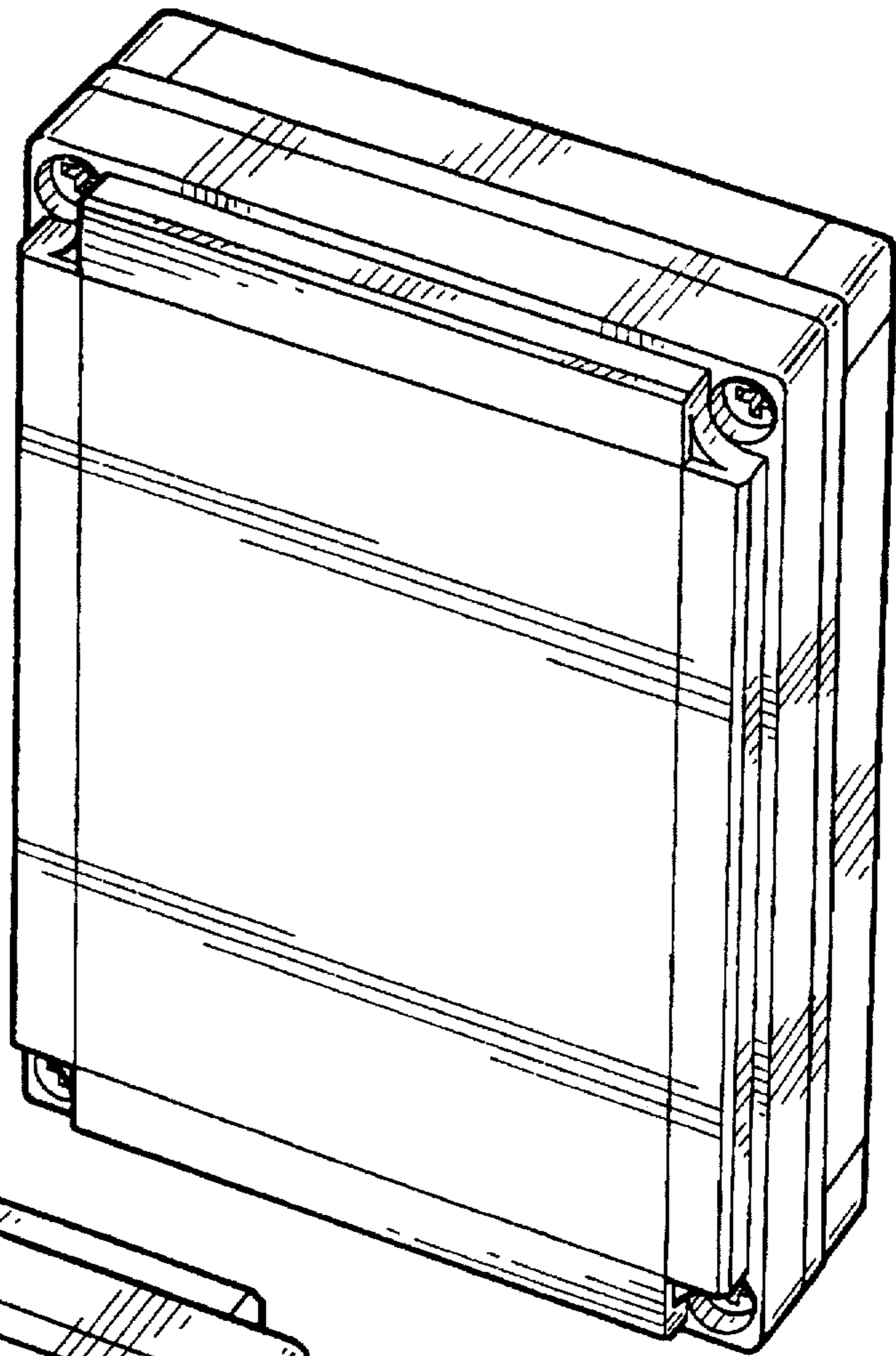


FIG. 2

FIG. 3

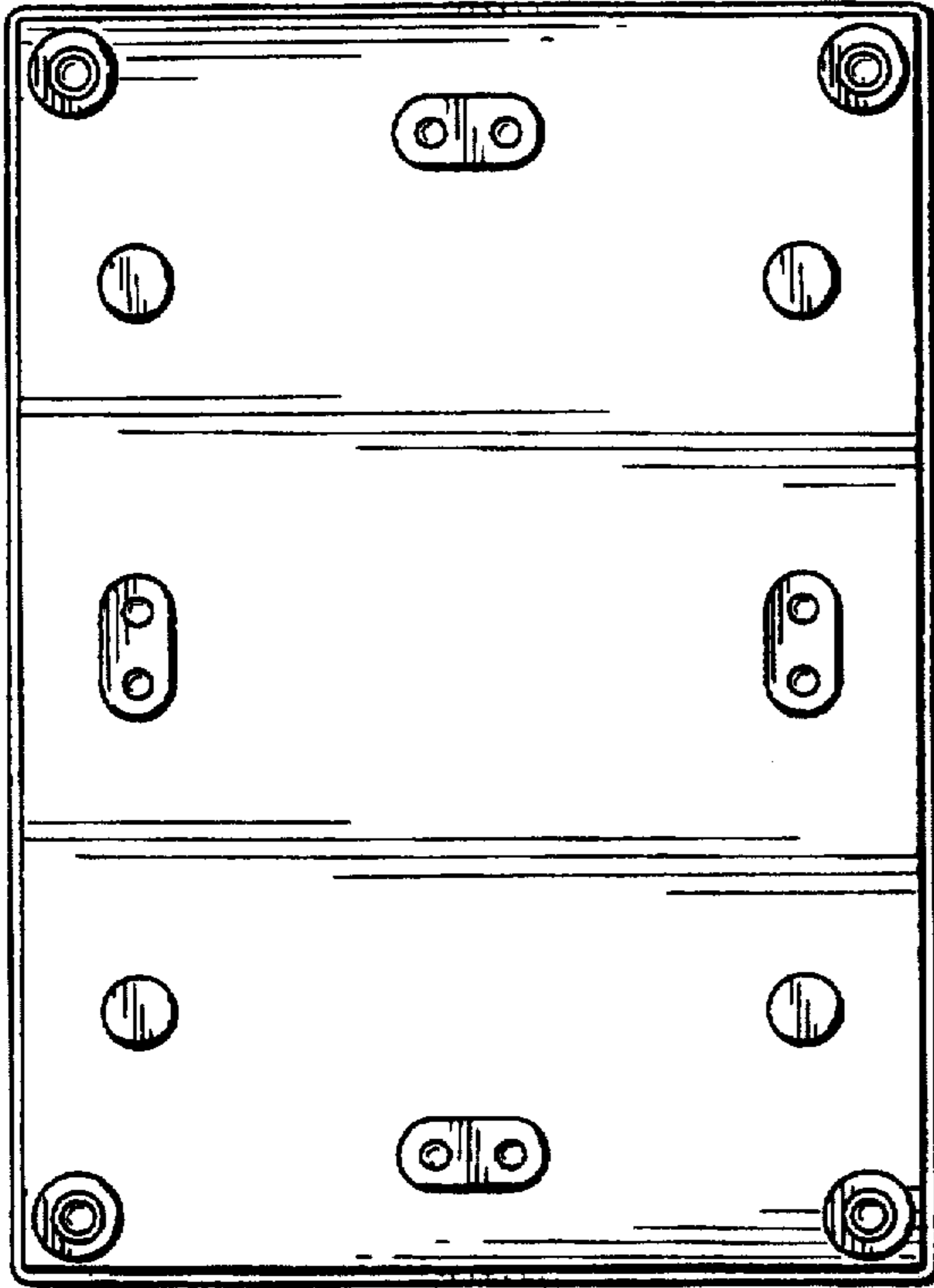


FIG. 4

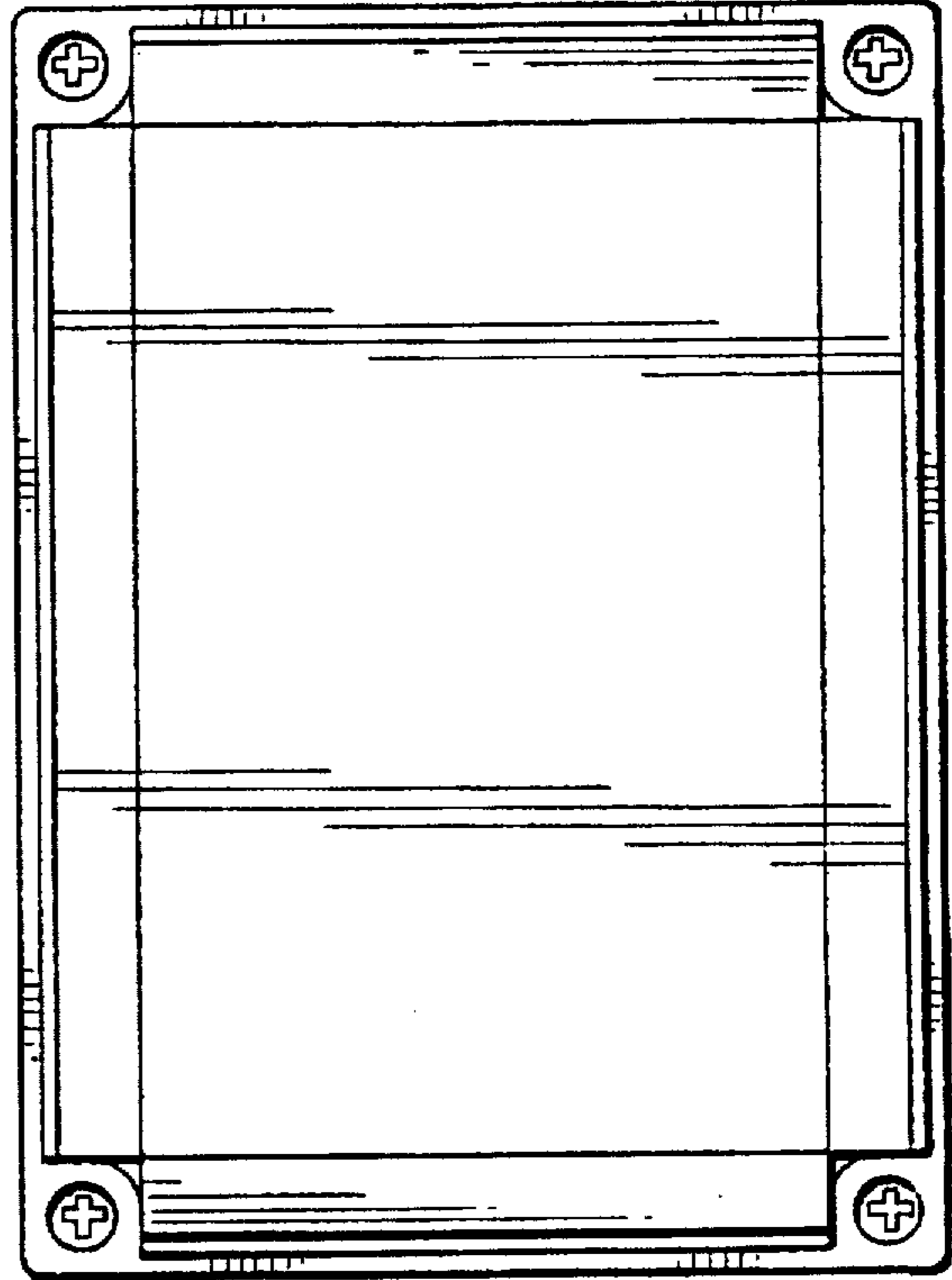


FIG. 5

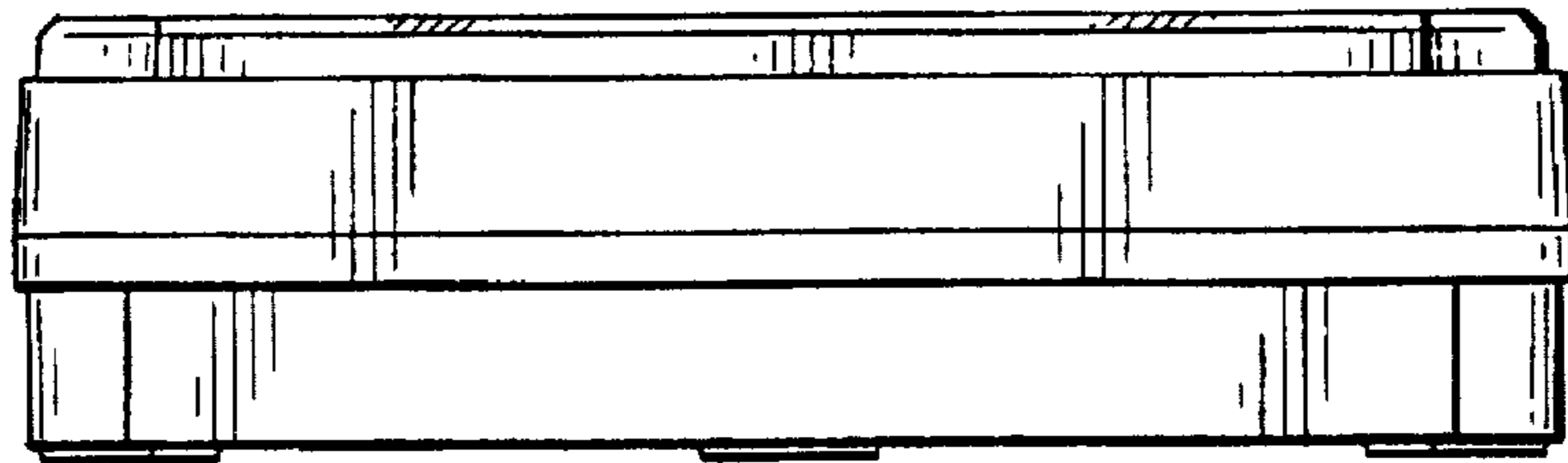
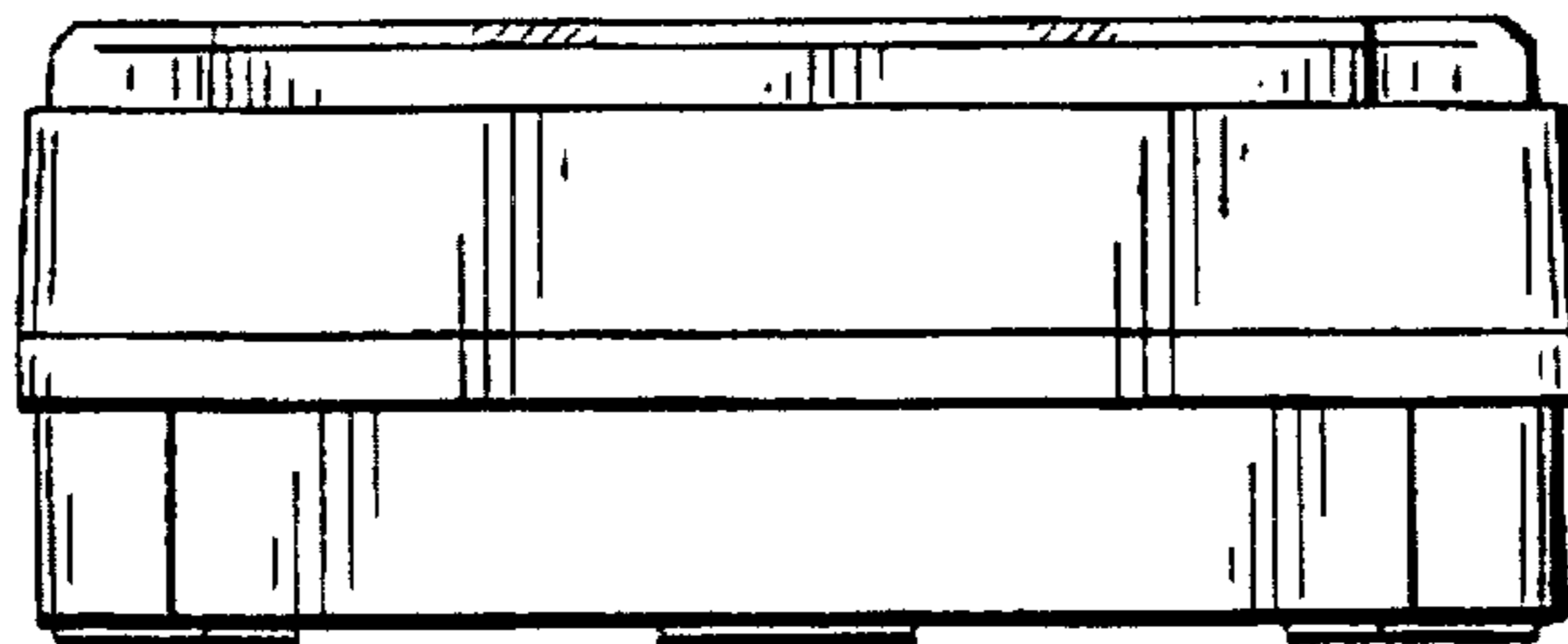


FIG. 6



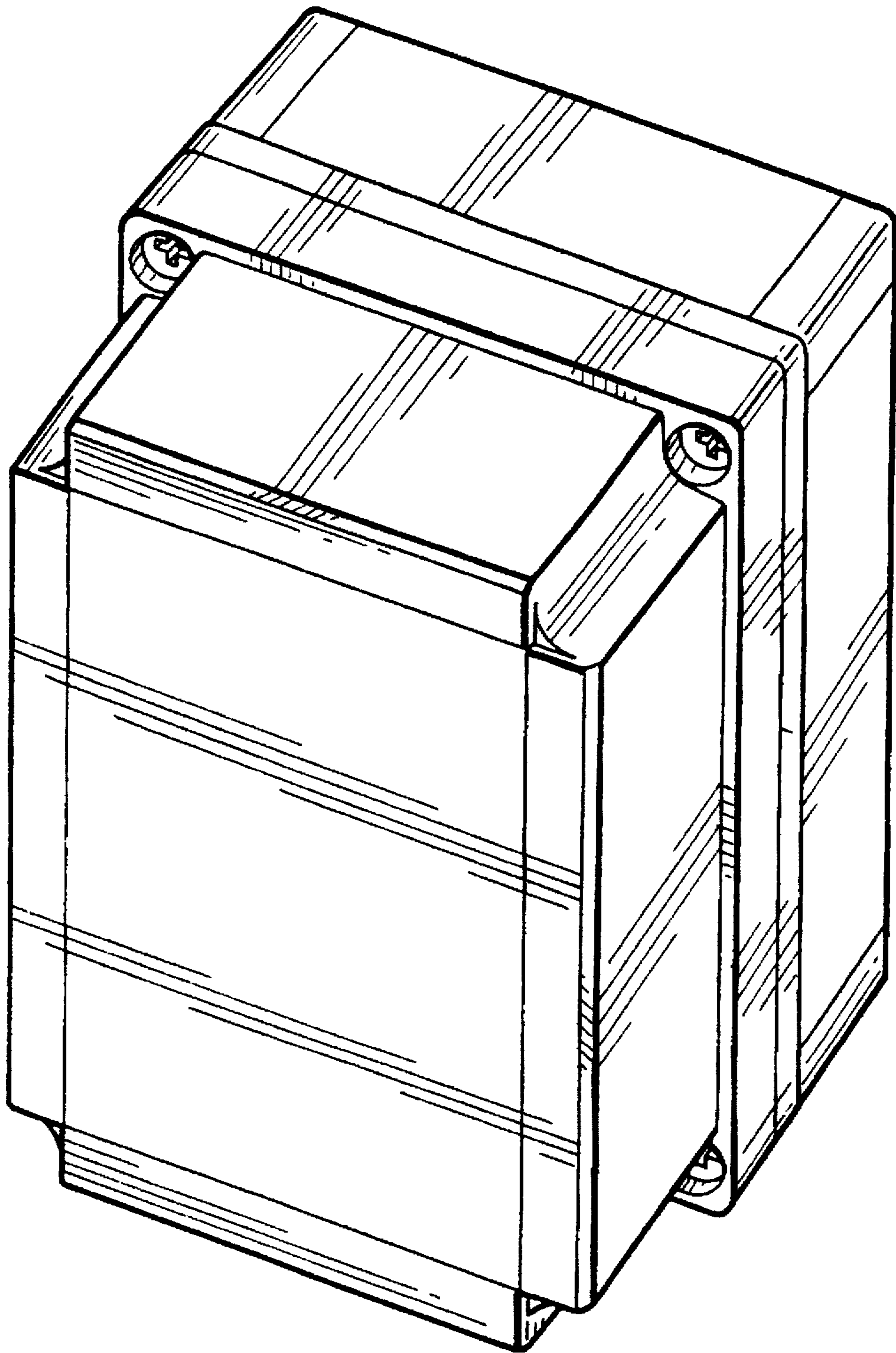


FIG. 7

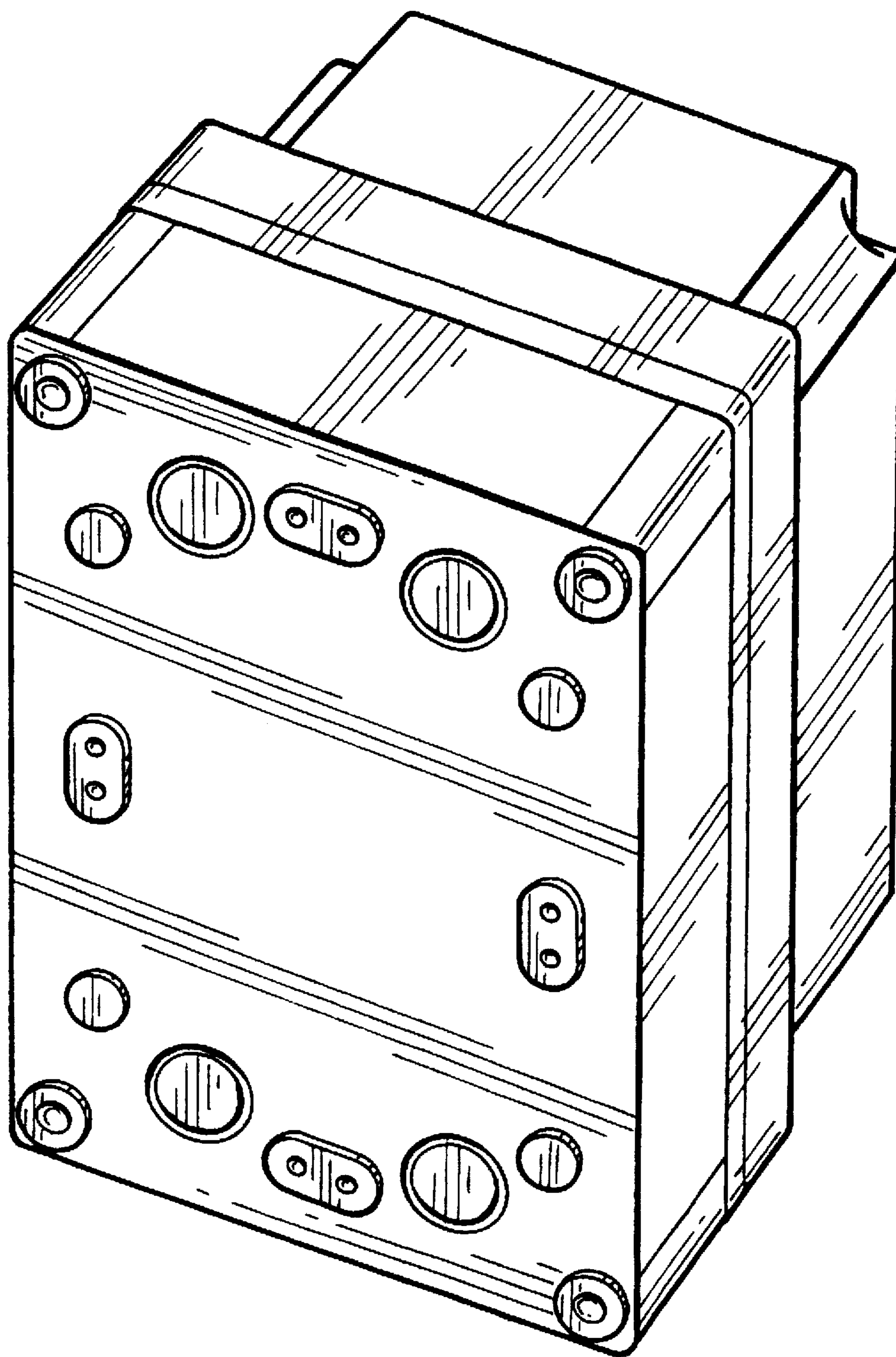


FIG. 8

FIG. 9

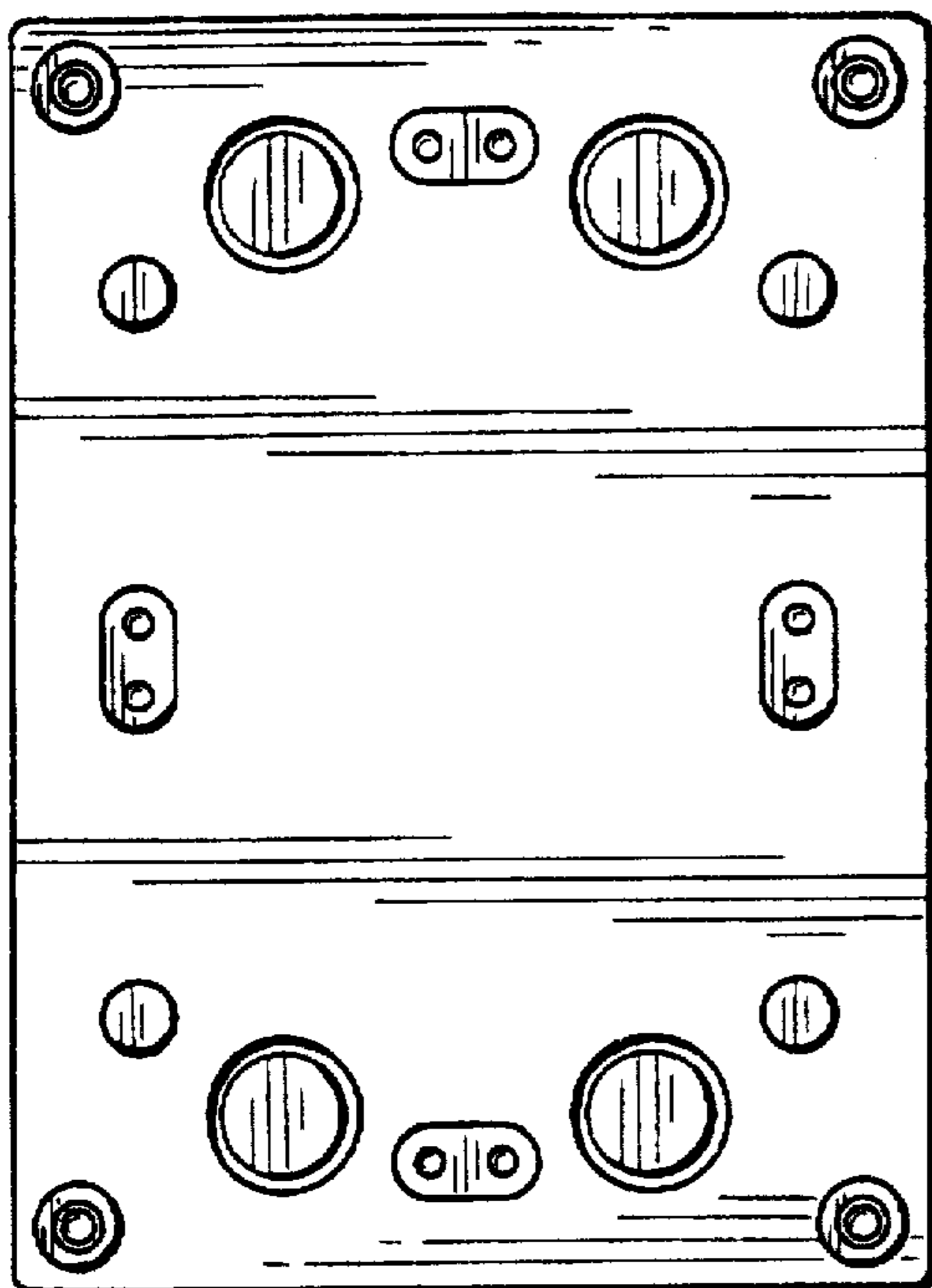


FIG. 10

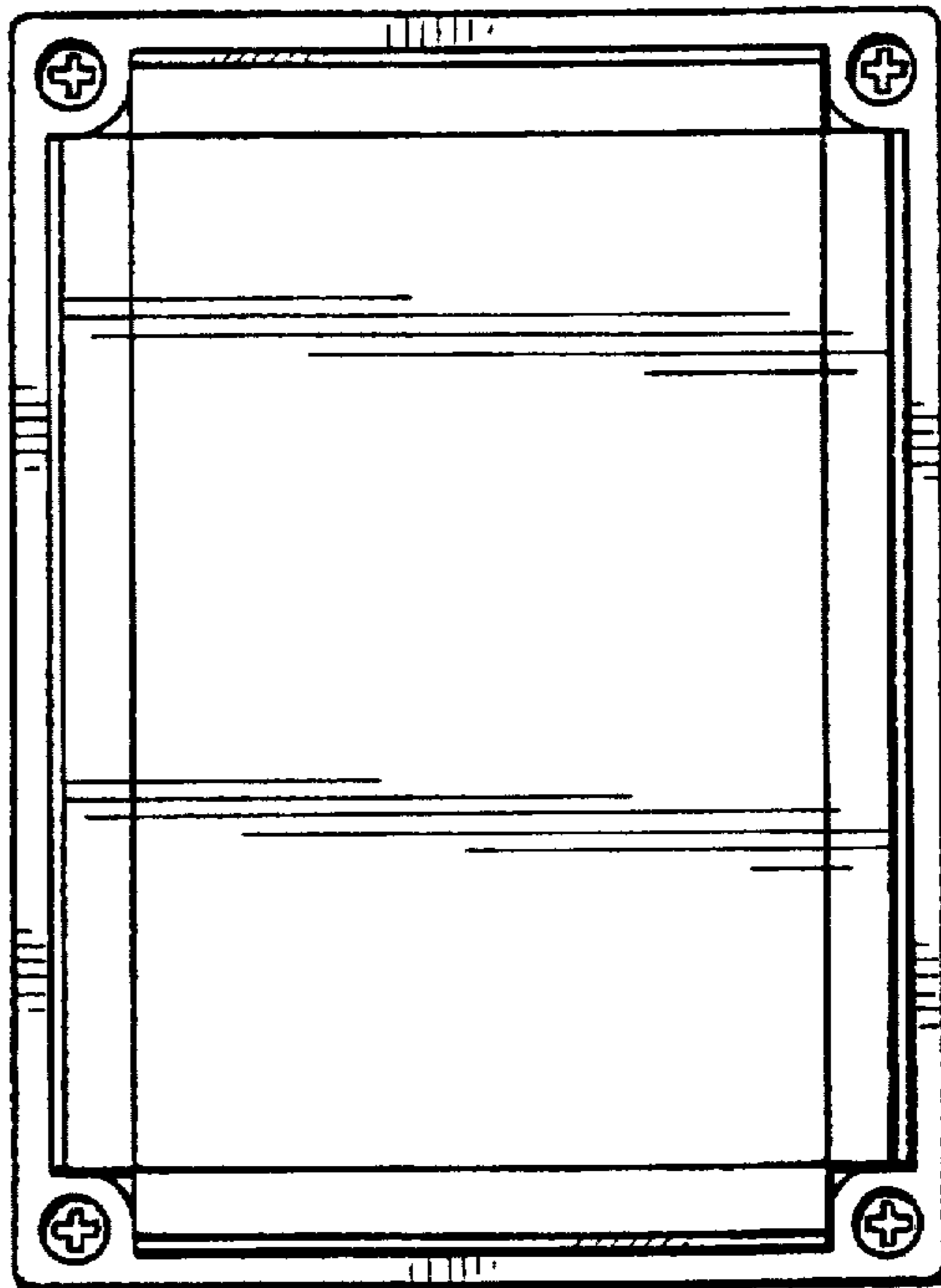


FIG. 11

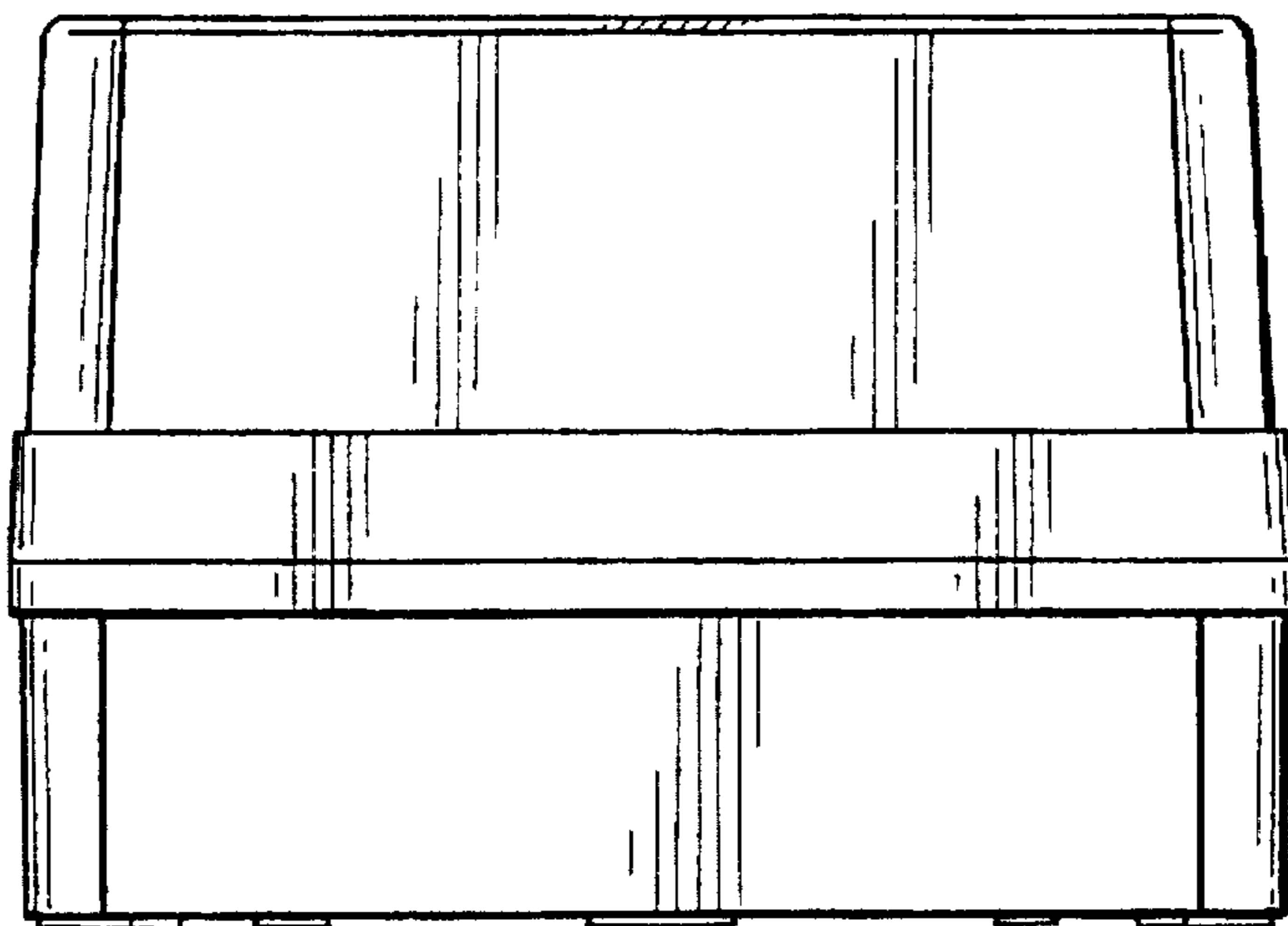


FIG. 12

