



US00D384645S

United States Patent [19]

[11] Patent Number: **Des. 384,645**

Kopser

[45] Date of Patent: ****Oct. 7, 1997**

[54] **FIVE BARREL ELECTRICAL CONTACT CARTRIDGE BOX**

1,870,304 8/1932 Wentzel 200/5 E X
2,258,763 10/1941 Hill 200/5 E X
4,743,714 5/1988 Chien 200/5 E

[76] Inventor: **Dave Kopser**, P.O. Box 146, Golden, Colo. 80402-0146

FOREIGN PATENT DOCUMENTS

244672 5/1963 Austria 200/5 R

[*] Notice: The portion of the term of this patent subsequent to Sep. 24, 2013, has been disclaimed.

Primary Examiner—Joel Sincavage
Attorney, Agent, or Firm—Davis, Graham & Stubbs LLP

[**] Term: **14 Years**

[57] CLAIM

[21] Appl. No.: **51,445**

The ornamental design for a five barrel electrical contact cartridge box, as shown and described.

[22] Filed: **Mar. 11, 1996**

Related U.S. Application Data

DESCRIPTION

[63] Continuation-in-part of Ser. No. 37,575, Apr. 17, 1995, Pat. No. Des. 373,997, which is a continuation-in-part of Ser. No. 227,558, Apr. 14, 1994, abandoned, which is a continuation of Ser. No. 876,774, May 1, 1992, abandoned.

FIG. 1 is a left side front perspective view of a five barrel electrical contact cartridge box showing my new design;

FIG. 2 is a rear perspective view;

[51] LOC (6) Cl. **13-03**

[52] U.S. Cl. **D13/164; D13/171**

FIG. 3 is a left side elevation view;

FIG. 4 is a rear elevation view;

[58] Field of Search **D13/171, 173, D13/164; 200/18, 61.62, 61.81, 187, 518**

FIG. 5 is a top plan view; and,

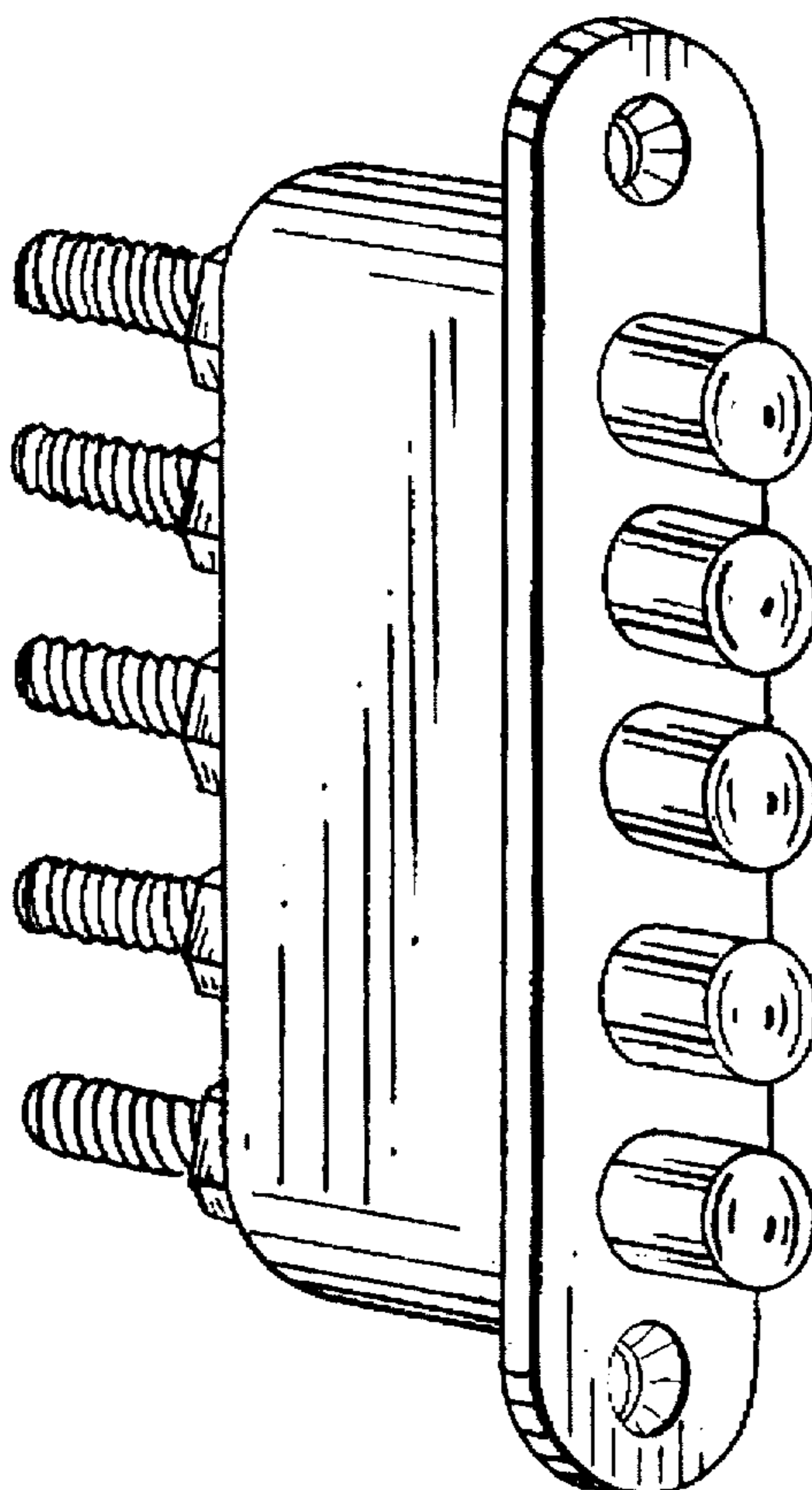
FIG. 6 is a front elevation view thereof.

[56] References Cited

U.S. PATENT DOCUMENTS

D. 307,744 5/1990 Ernest D13/171

1 Claim, 2 Drawing Sheets



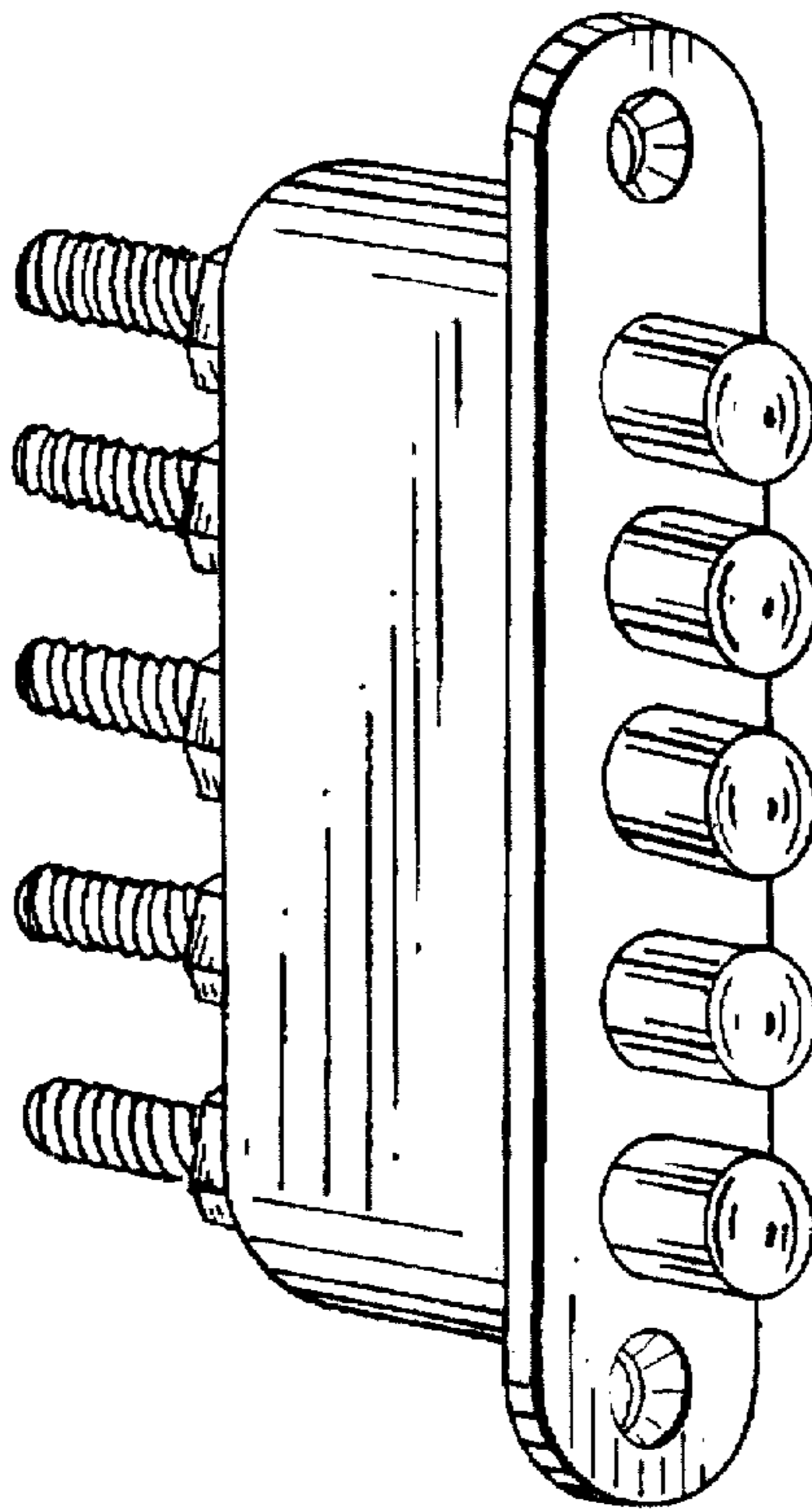


FIG. 1

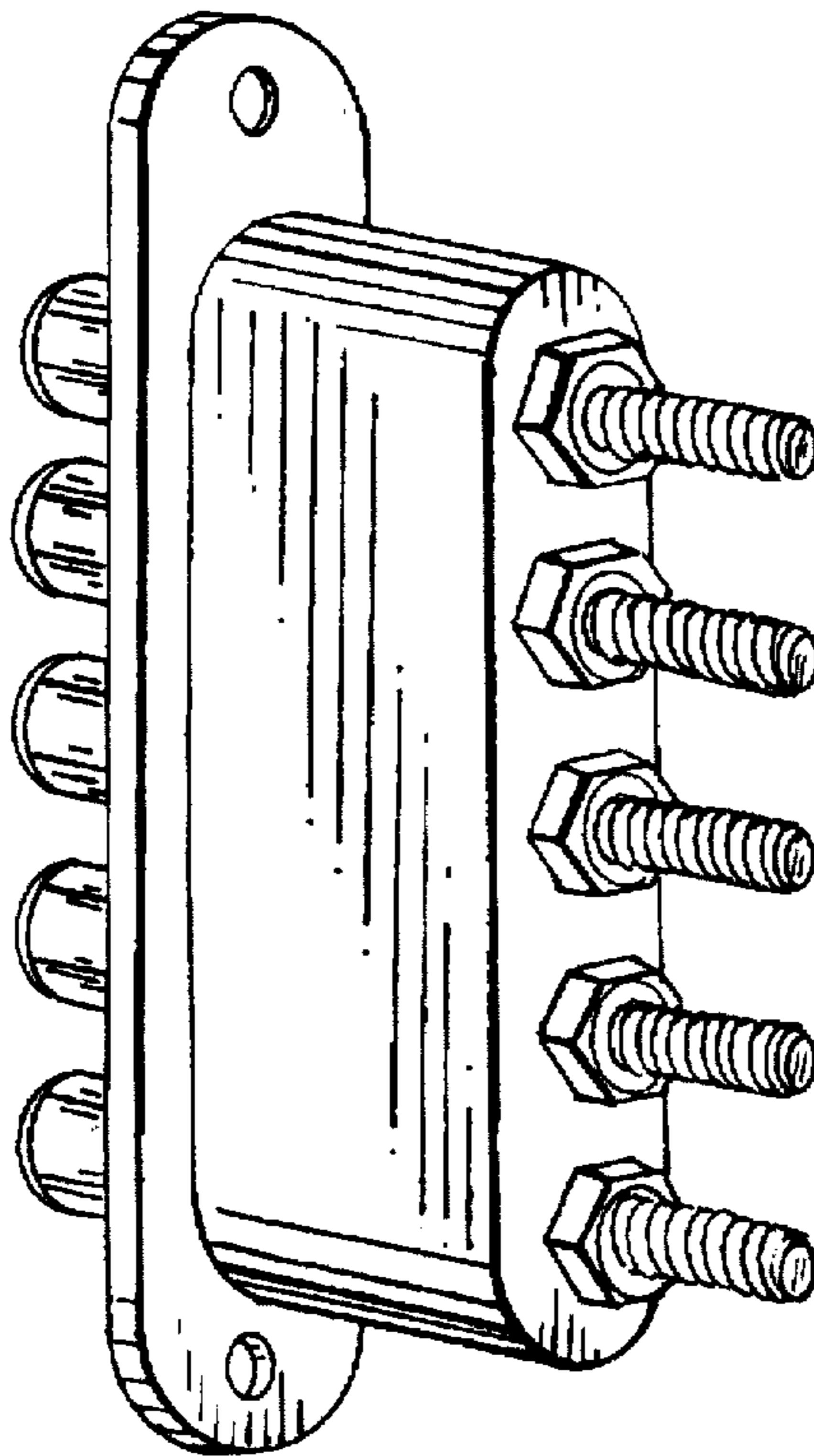


FIG. 2

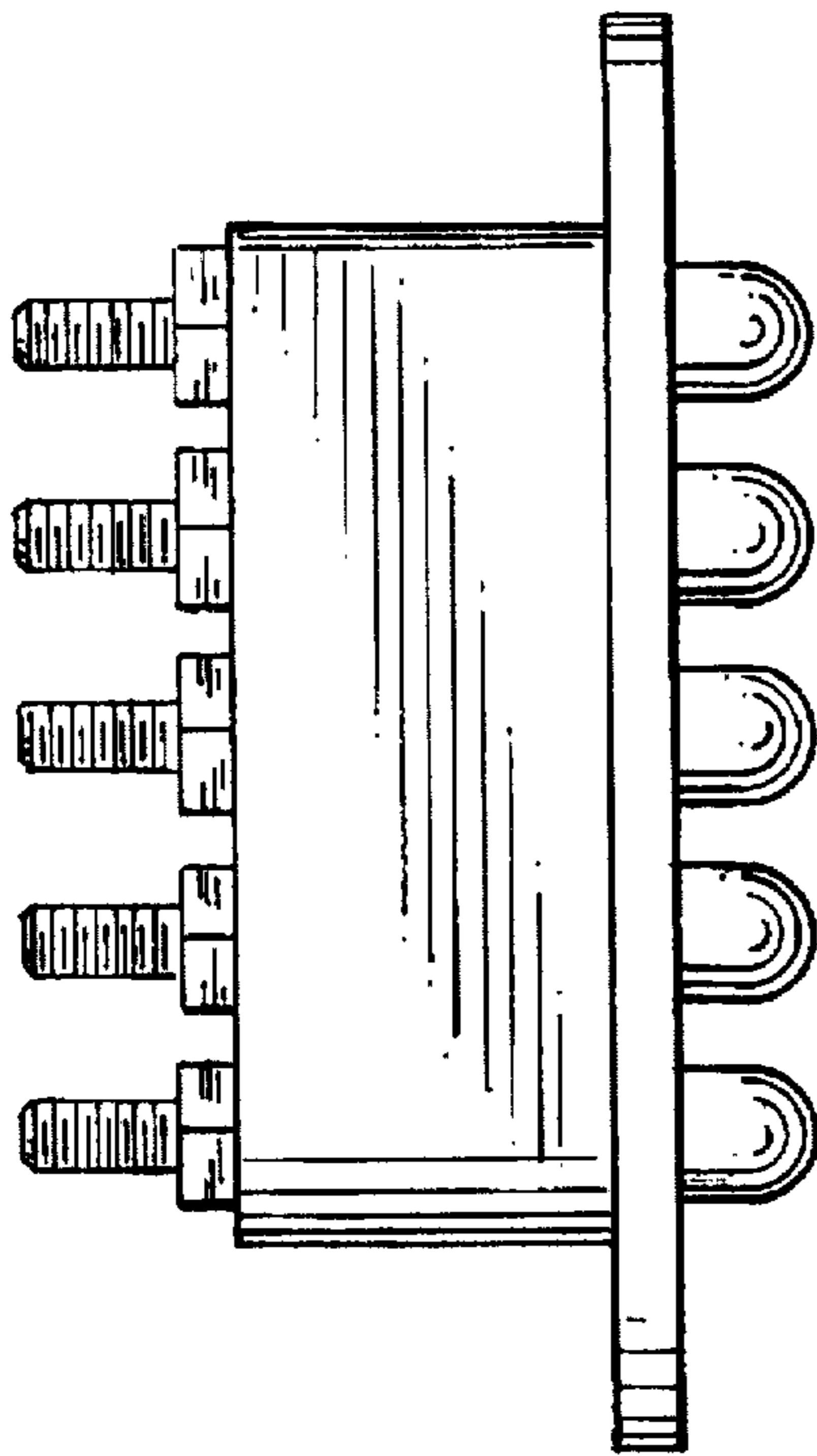


FIG. 3

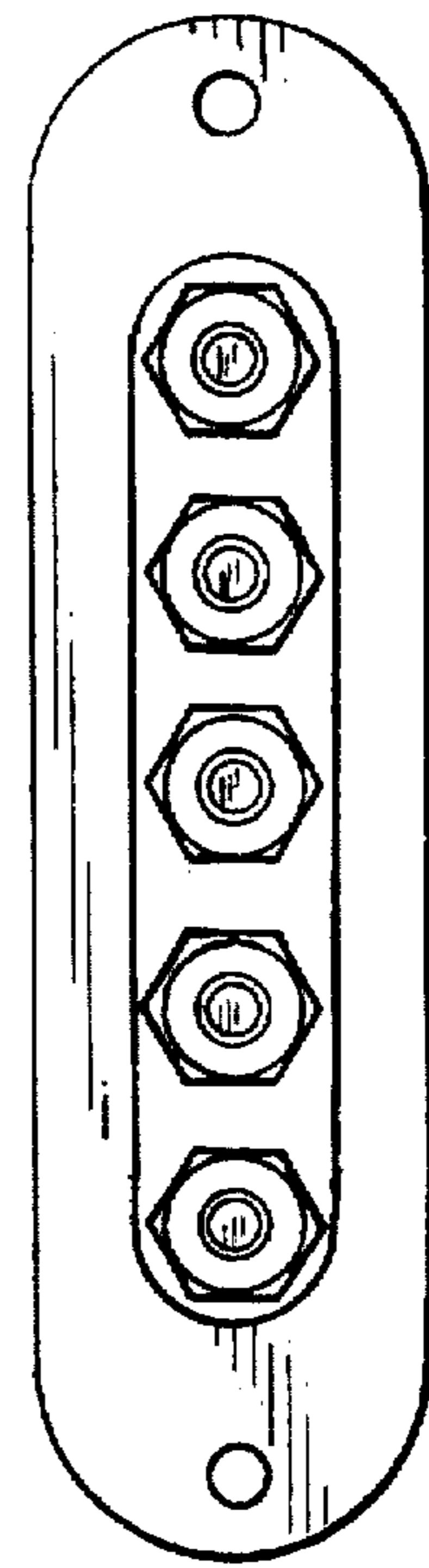


FIG. 4

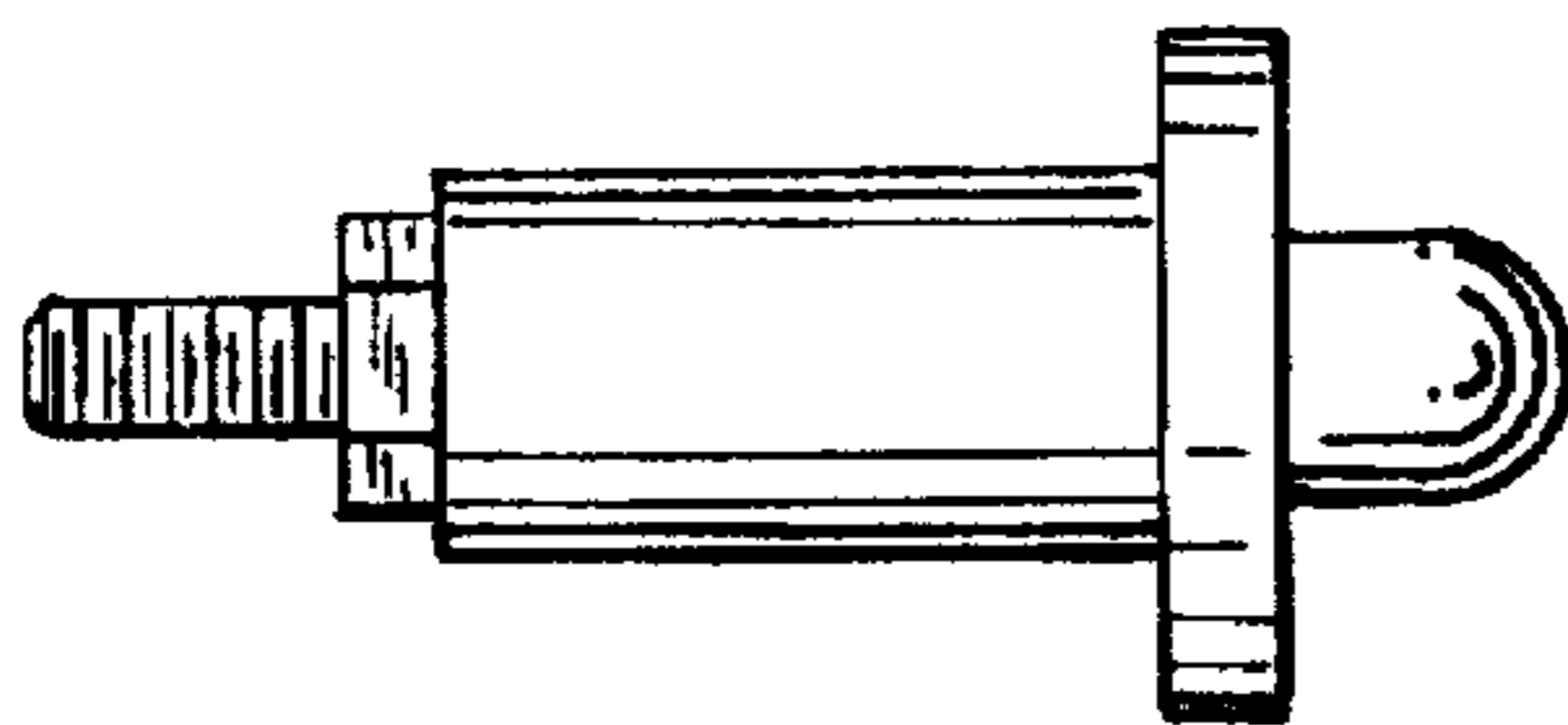


FIG. 5

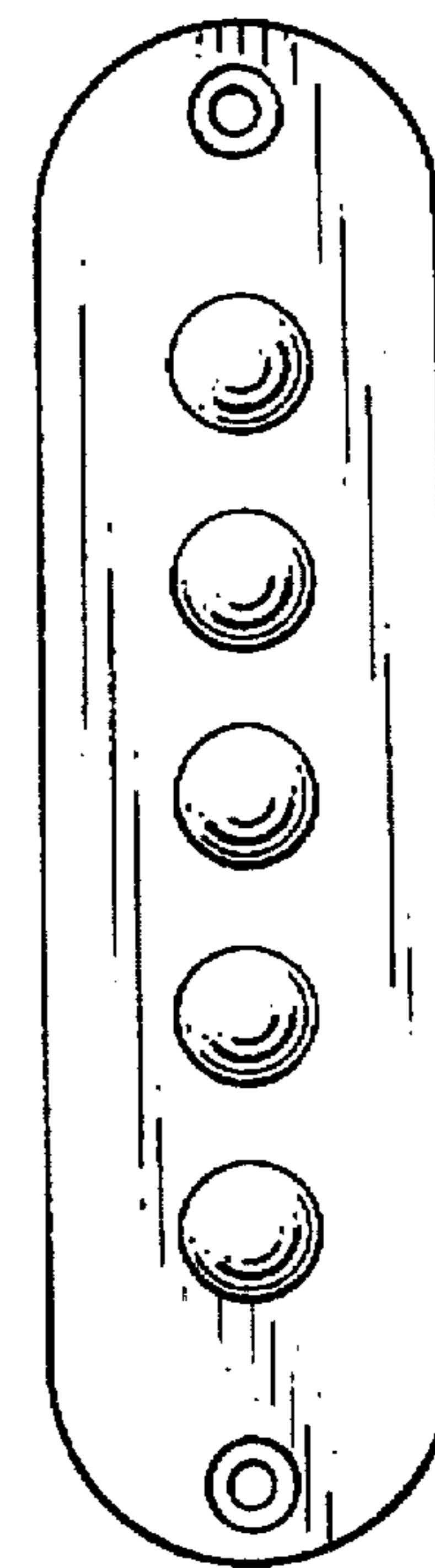


FIG. 6