



US00D384644S

United States Patent [19] Chung

[11] Patent Number: **Des. 384,644**
[45] Date of Patent: ****Oct. 7, 1997**

[54] **HUB**
[75] Inventor: **Ming-Tsai Chung**, Taipei Hsien,
Taiwan
[73] Assignee: **D-Link Corporation**, Hsinchu, Taiwan
[**] Term: **14 Years**
[21] Appl. No.: **53,858**
[22] Filed: **May 1, 1996**
[51] LOC (6) Cl. **13-03**
[52] U.S. Cl. **D13/147; D13/162**
[58] Field of Search **D13/110, 123,**
D13/142, 143, 145, 146, 160, 162, 164,
184; D14/107; 361/686, 692, 693, 722,
724

D. 337,753 7/1993 Ito et al. D13/162
D. 340,699 10/1993 Chen D13/164
D. 354,737 1/1995 Fladung D13/123 X
D. 357,456 4/1995 Nakanishi et al. D13/110
D. 371,789 7/1996 Weissberg et al. D14/107 X

Primary Examiner—B. J. Bullock
Assistant Examiner—Cathron B. Matta
Attorney, Agent, or Firm—Bacon & Thomas

[57] CLAIM

The ornamental design for a hub, as shown and described.

DESCRIPTION

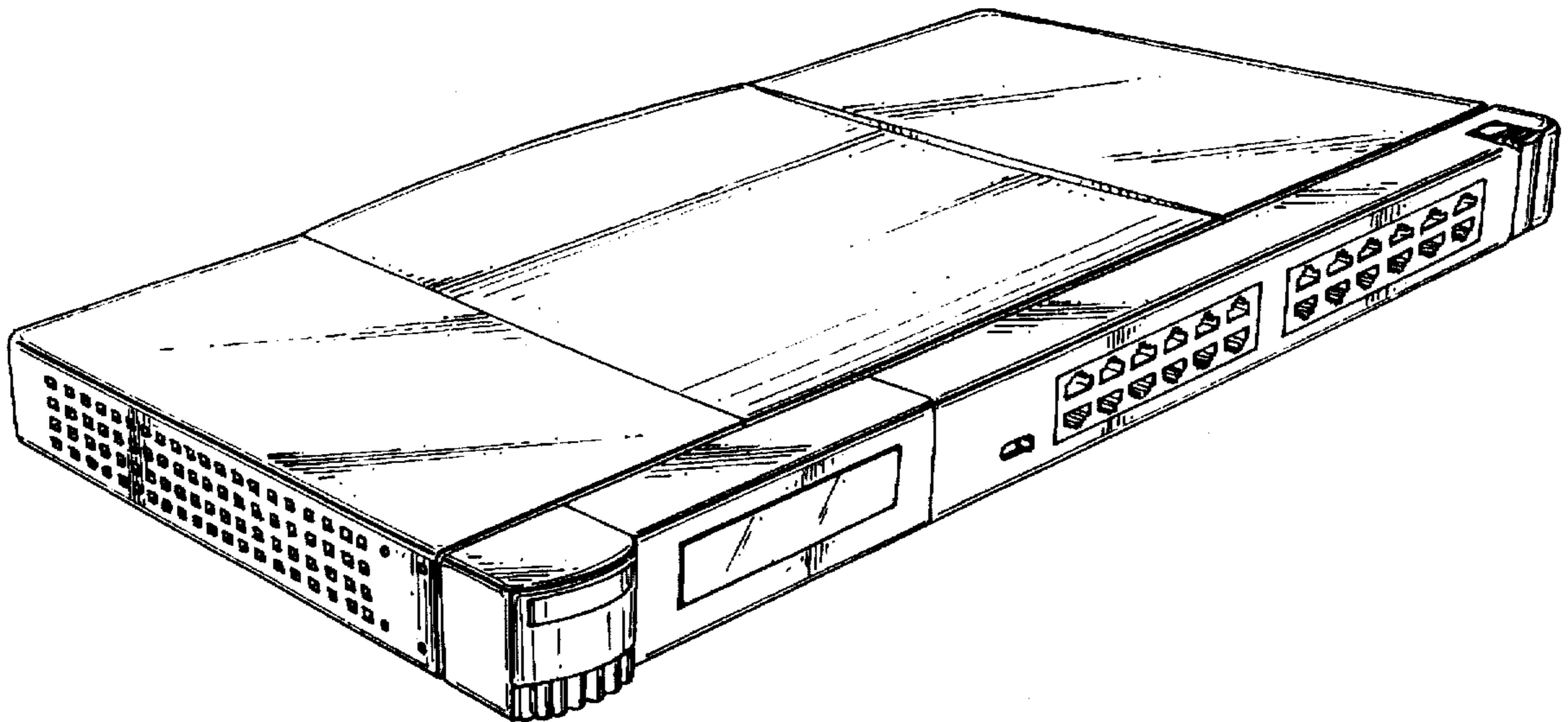
FIG. 1 is a perspective view of a hub showing my new design;
FIG. 2 is a front elevational view thereof;
FIG. 3 is a rear elevational view thereof;
FIG. 4 is a left side elevational view thereof;
FIG. 5 is a right side elevational view thereof;
FIG. 6 is a top plan view thereof; and,
FIG. 7 is a bottom plan view thereof.

[56] References Cited

U.S. PATENT DOCUMENTS

D. 314,183 1/1991 Wong D13/123 X
D. 314,369 2/1991 Sacherman D13/160

1 Claim, 5 Drawing Sheets



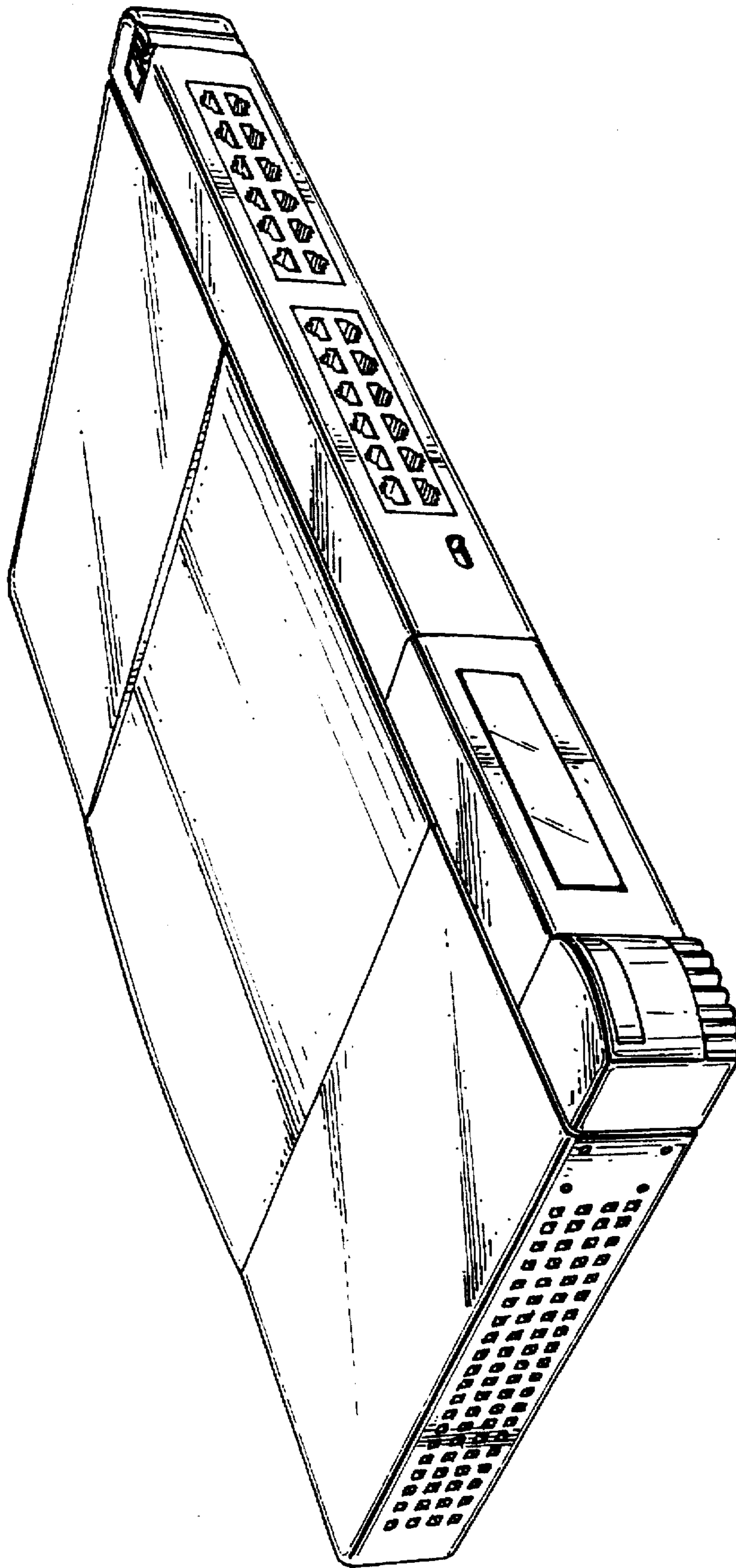


FIG. 1

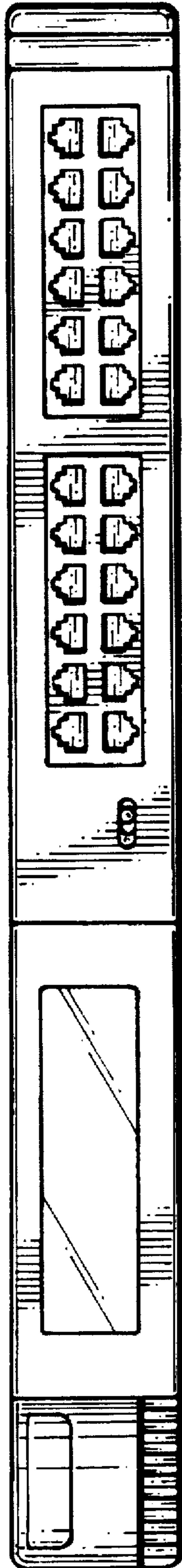


FIG. 2

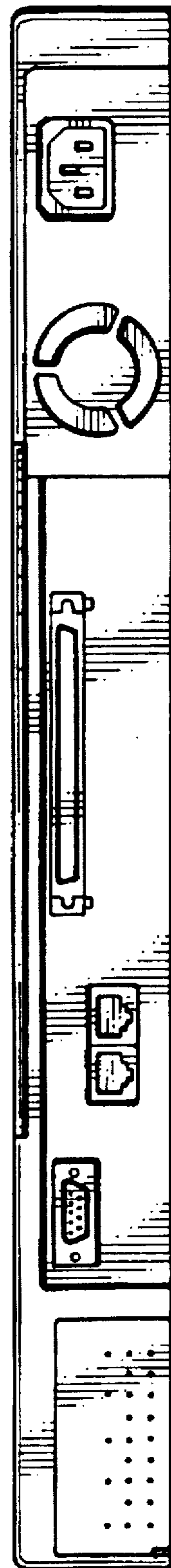


FIG. 3

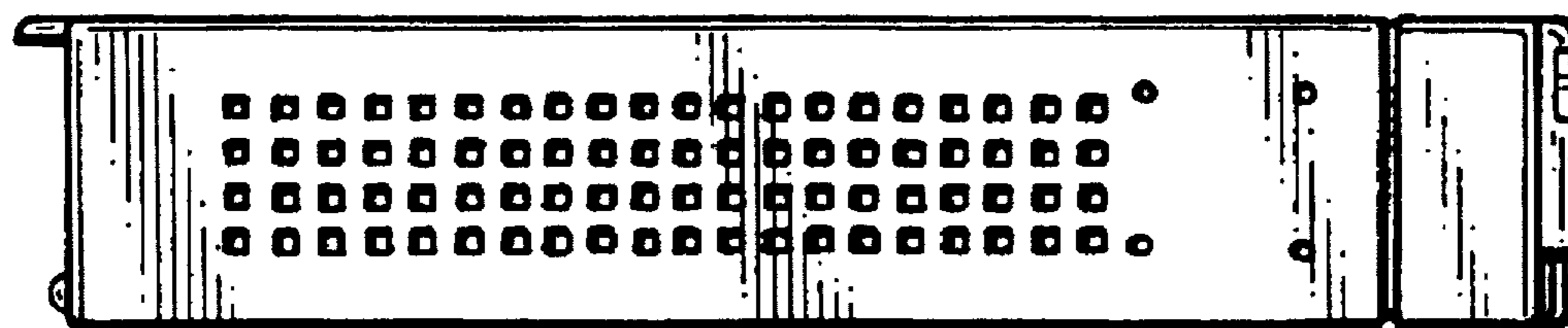


FIG. 4

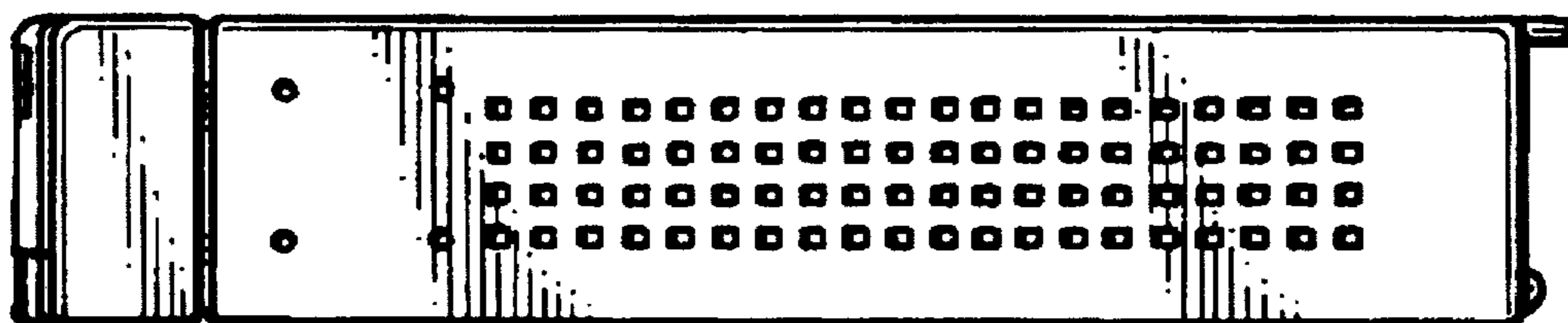


FIG. 5

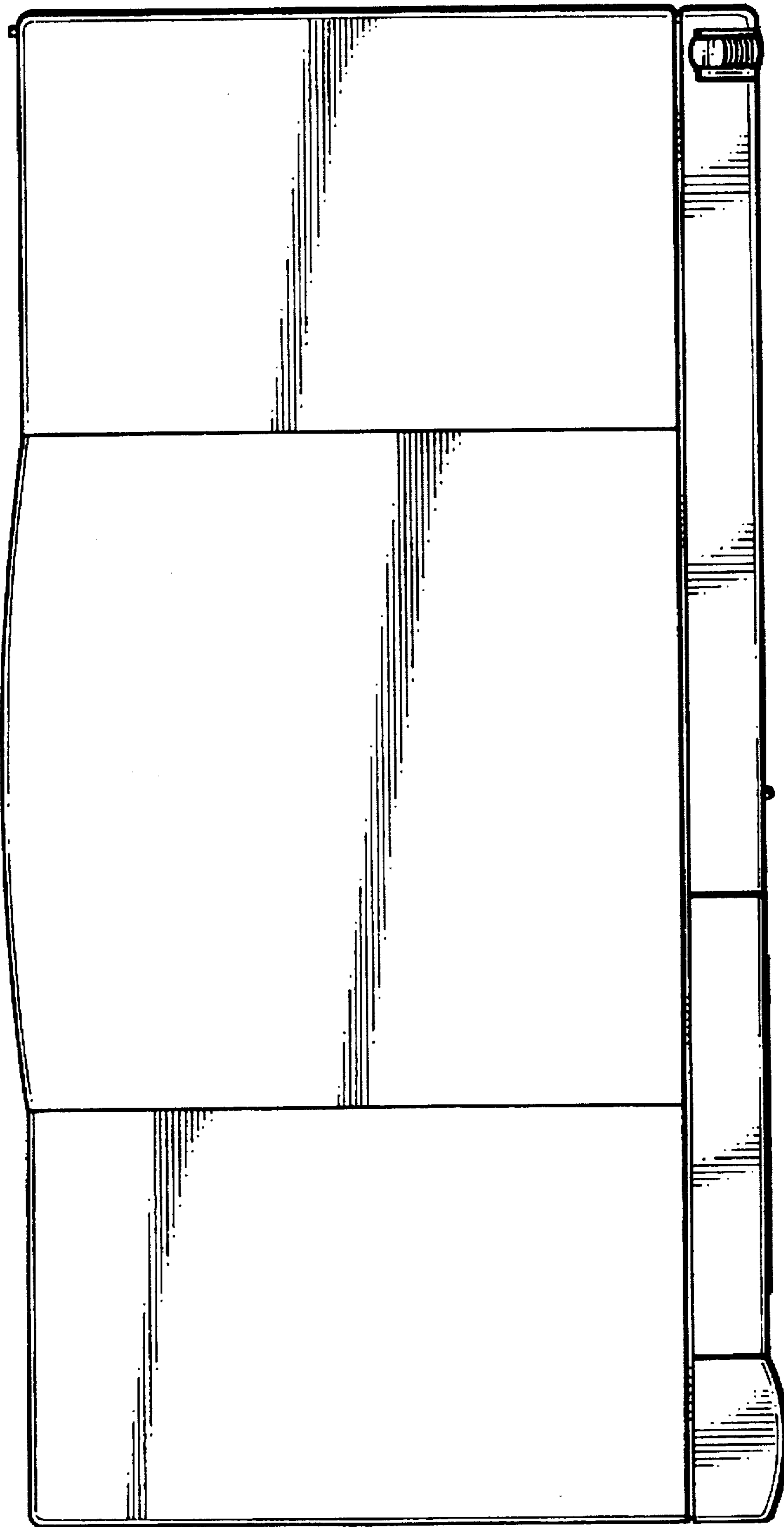


FIG. 6

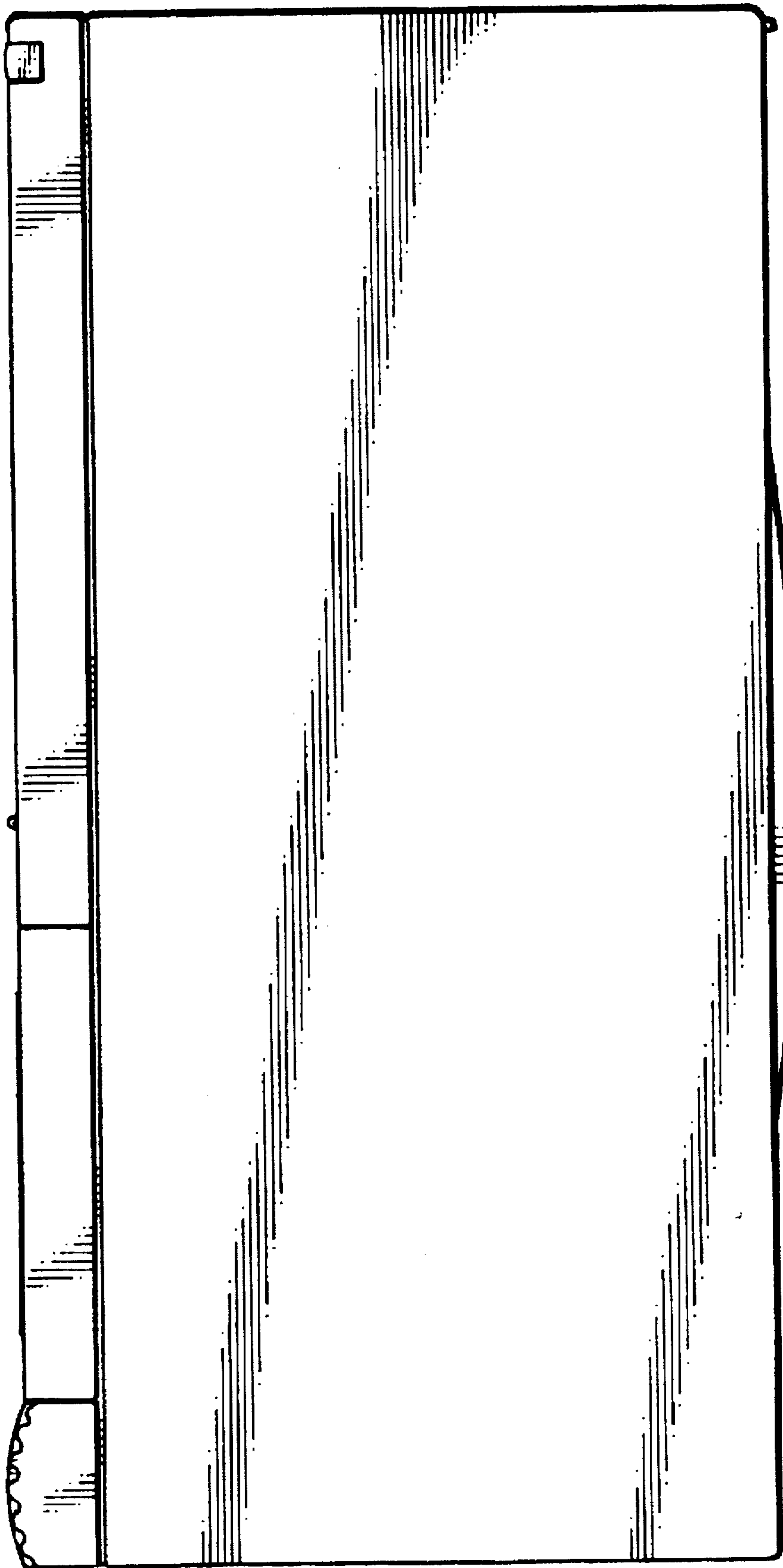


FIG. 7