



US00D384642S

United States Patent [19]

Miyahara

[11] Patent Number: **Des. 384,642**

[45] Date of Patent: ****Oct. 7, 1997**

[54] **COMPUTER CONNECTING ADAPTER FOR CAMERA**

[75] Inventor: **Kazuhiko Miyahara, Yokohama, Japan**

[73] Assignee: **Canon Kabushiki Kaisha, Tokyo, Japan**

[**] Term: **14 Years**

[21] Appl. No.: **51,514**

[22] Filed: **Mar. 12, 1996**

[30] **Foreign Application Priority Data**

Sep. 14, 1995 [JP] Japan 7-27220

[51] LOC (6) Cl. **13-03**

[52] U.S. Cl. **D13/133; D16/237**

[58] Field of Search D13/107, 133, D13/146, 147; D16/219, 237, 242; 348/372, 373, 376, 552; 396/419, 429, 504, 544

[56] **References Cited**

U.S. PATENT DOCUMENTS

D. 284,756 7/1986 Gorman et al. D13/133

D. 300,527	4/1989	Kikuta	D13/133
D. 308,389	6/1990	Horn et al.	D16/242
3,709,133	1/1973	Hess et al.	348/373 X
4,030,112	6/1977	Morse et al.	396/504
5,568,198	10/1996	Sakurai et al.	348/372
5,581,299	12/1996	Raney	348/373 X

Primary Examiner—Brian N. Vinson
Assistant Examiner—Lavone Tabor
Attorney, Agent, or Firm—Fitzpatrick, Cella, Harper & Scinto

[57] **CLAIM**

The ornamental design for a computer connecting adapter for camera, as shown and described.

DESCRIPTION

FIG. 1 is a front view of a computer connecting adapter for camera showing my new desing;
FIG. 2 is a rear view thereof;
FIG. 3 is a top plan view thereof;
FIG. 4 is a bottom plan view thereof;
FIG. 5 is a left side view thereof;
FIG. 6 is a right side view thereof; and,
FIG. 7 is a perspective view thereof.

1 Claim, 5 Drawing Sheets

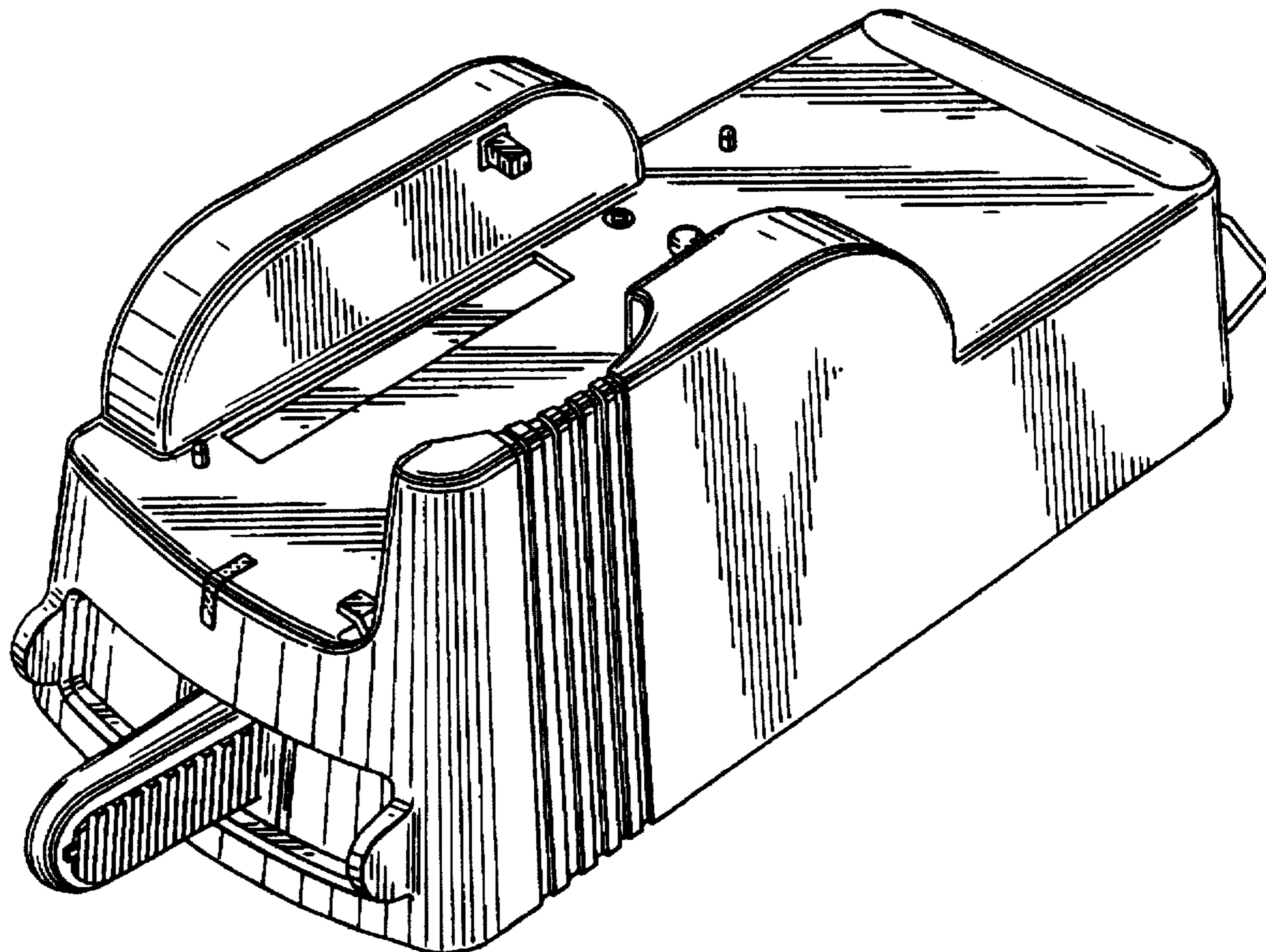


FIG. 1

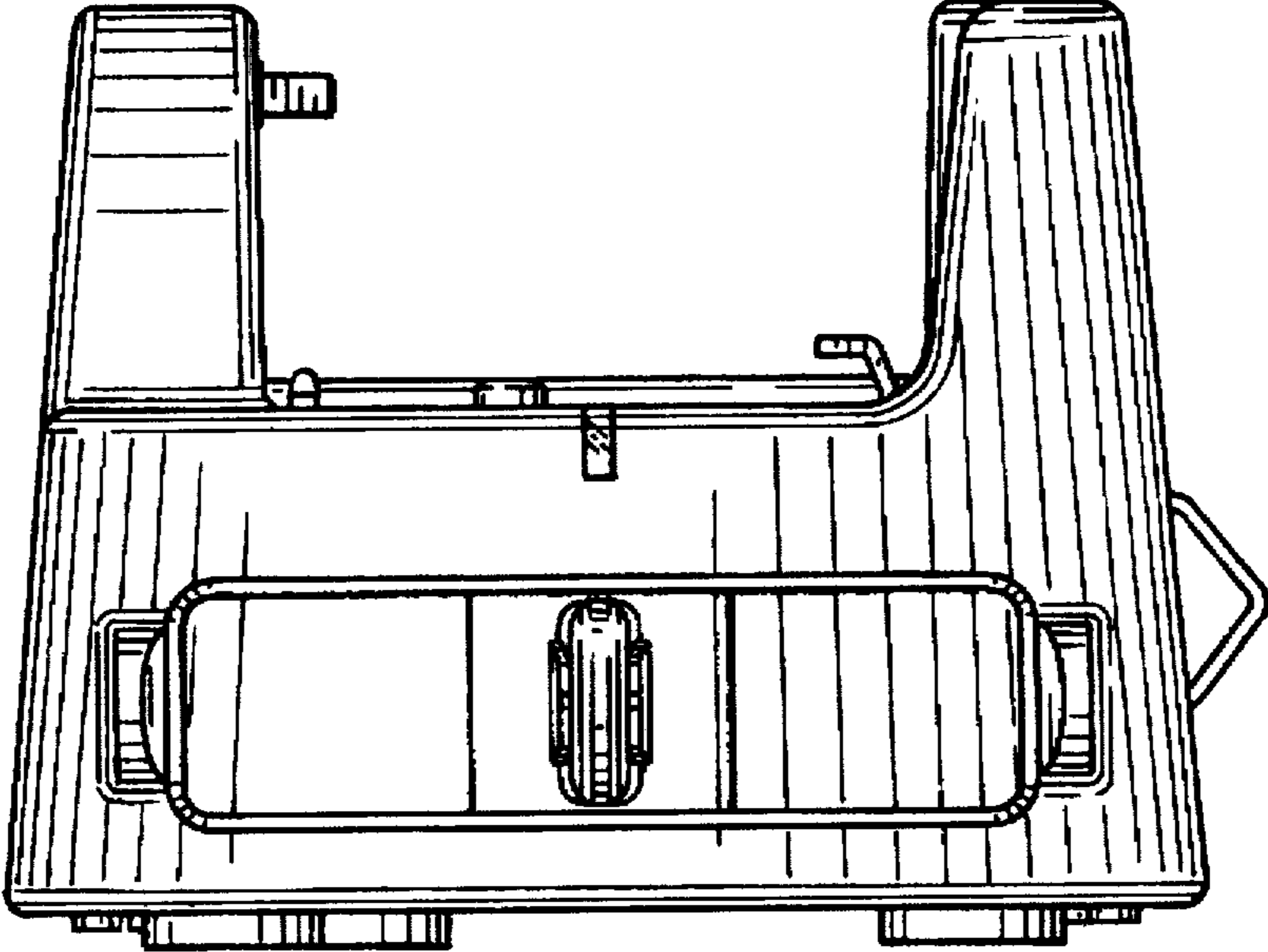


FIG. 2

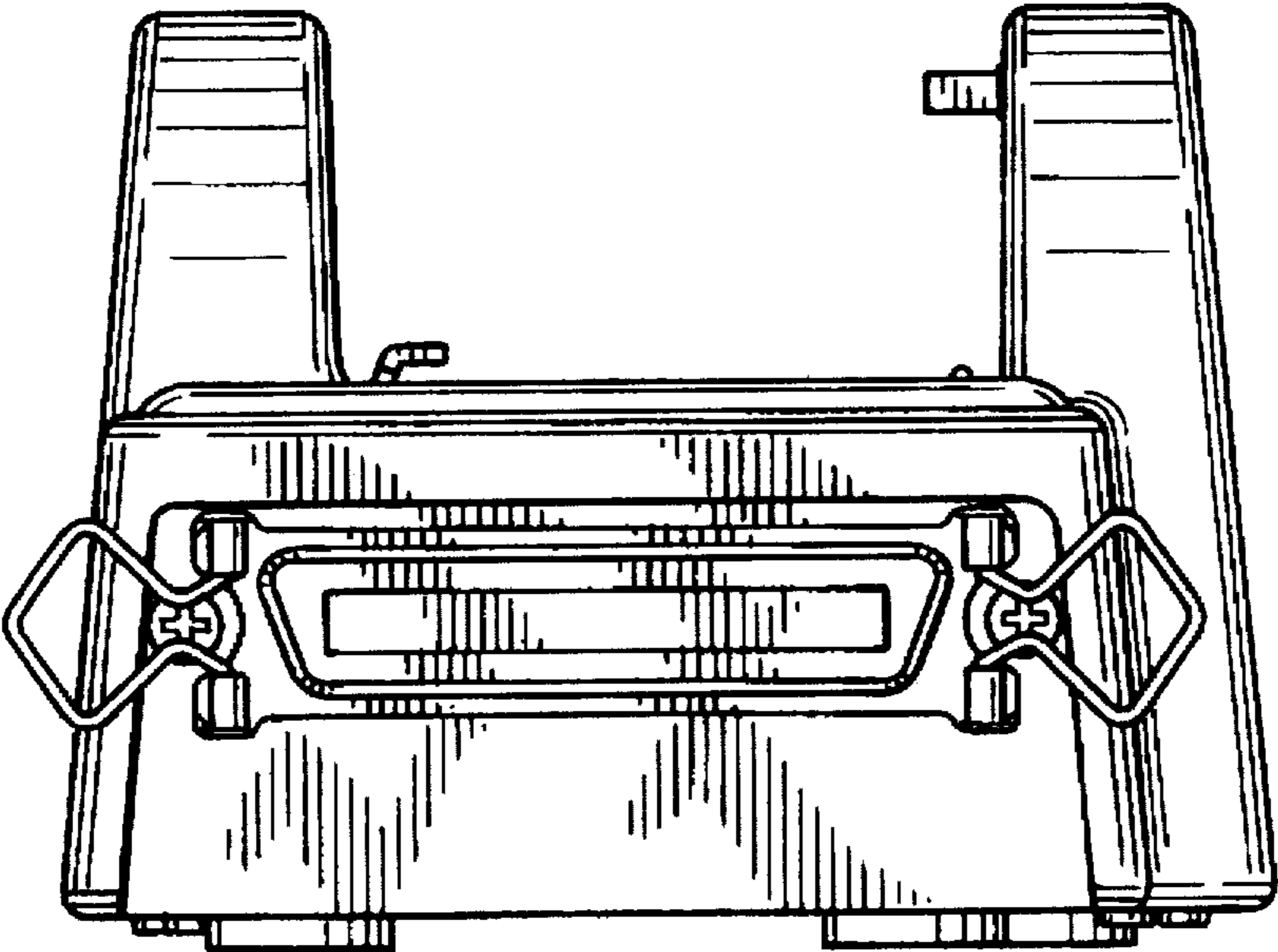


FIG. 3

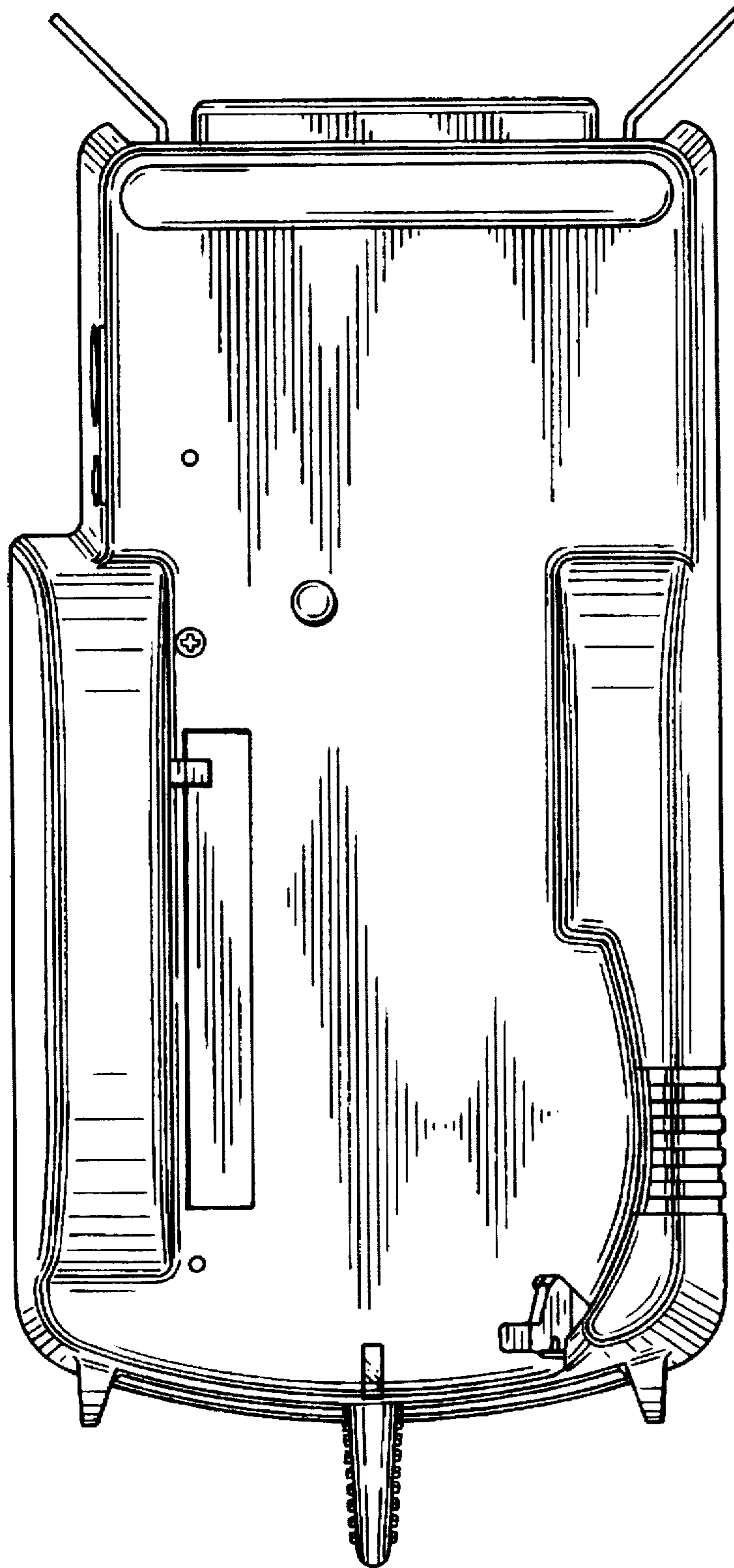
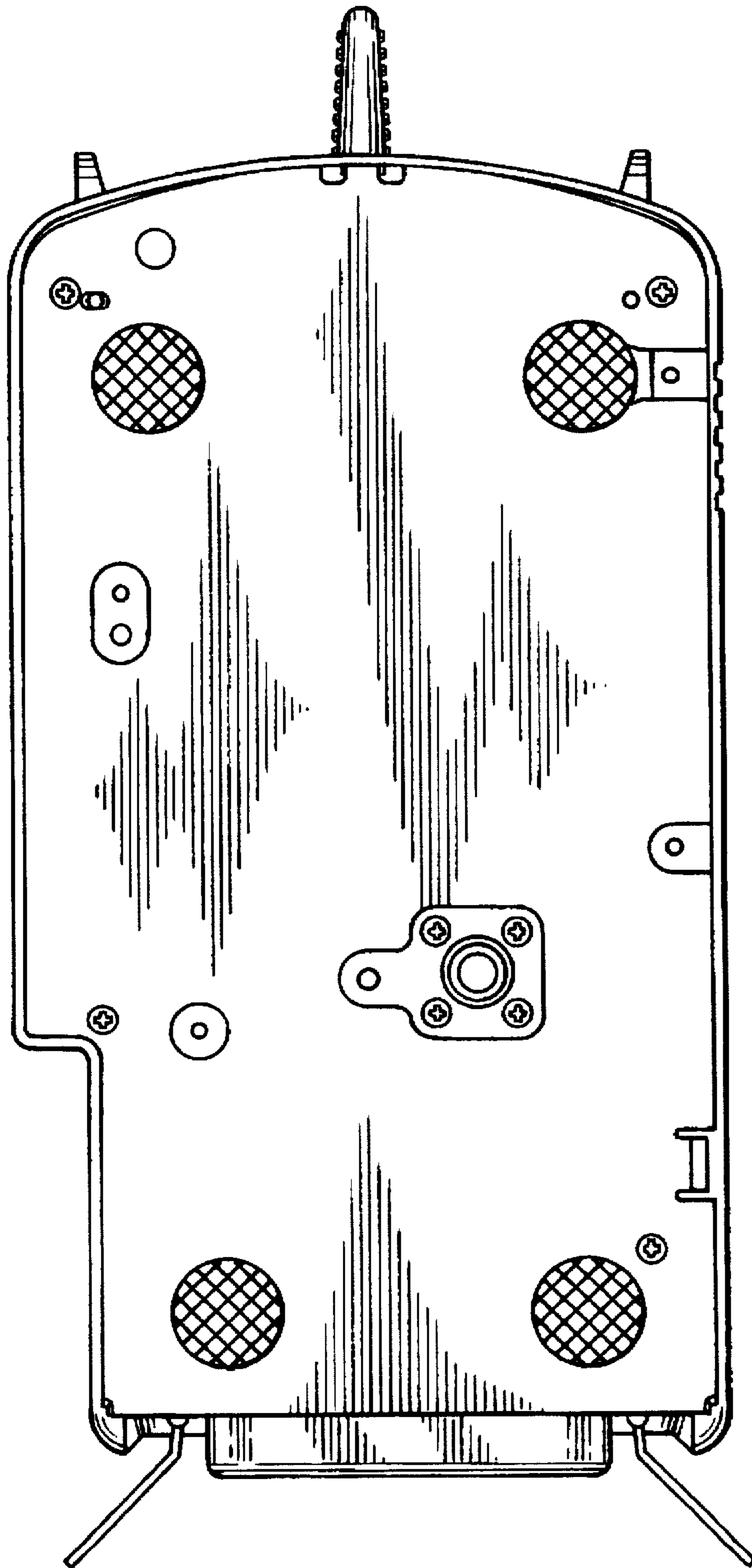


FIG. 4



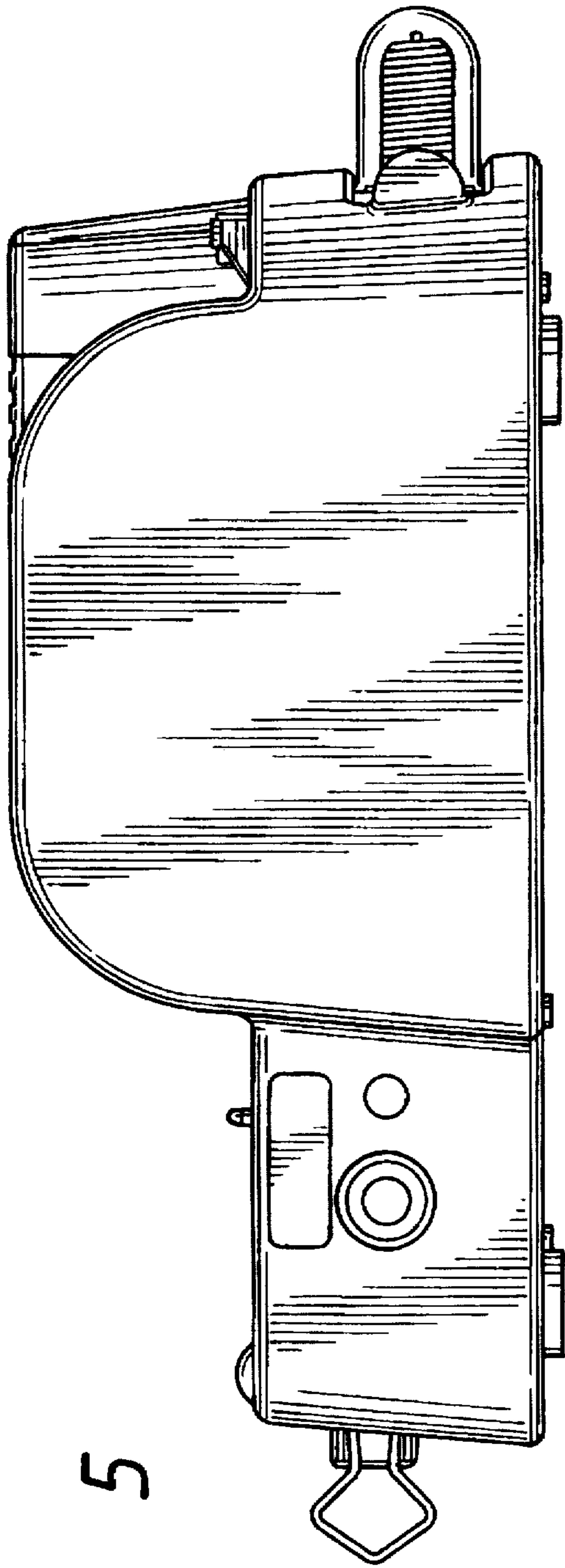


FIG. 5

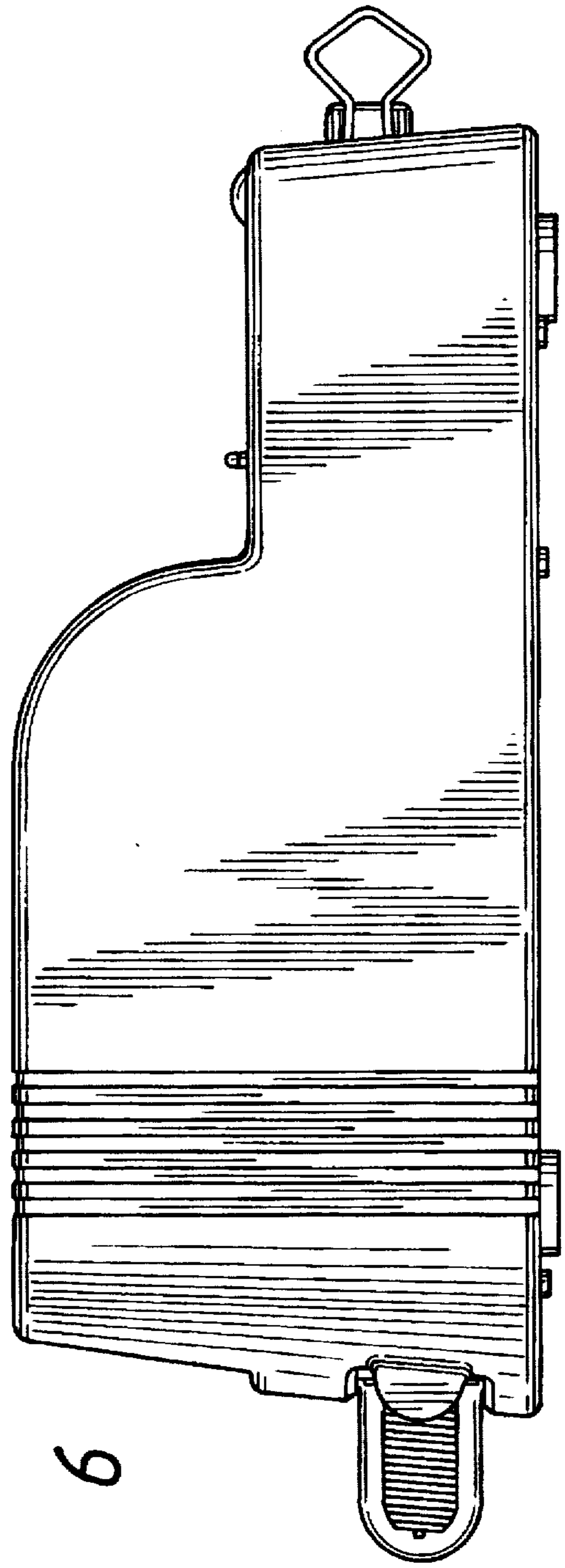
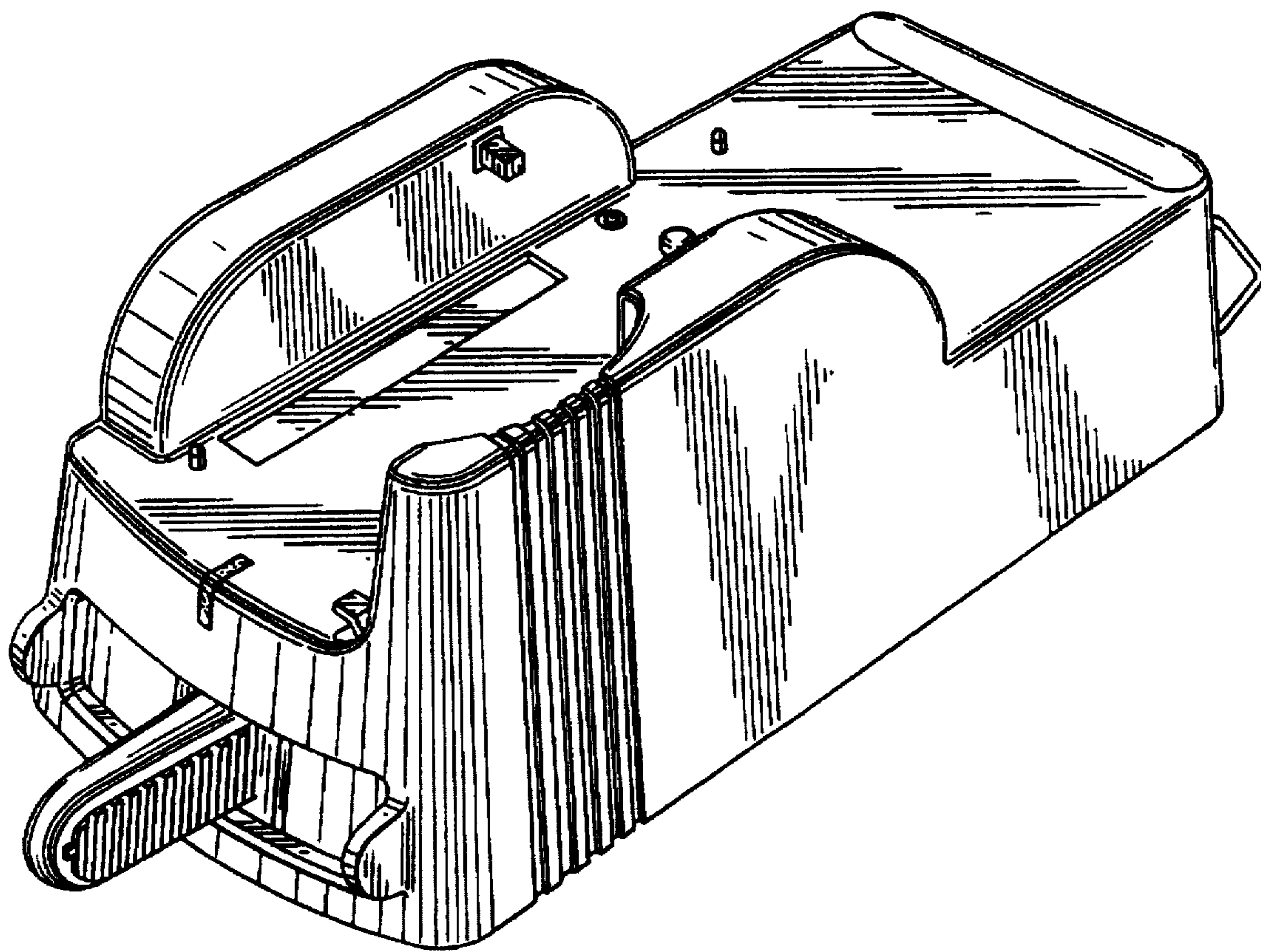


FIG. 6

FIG. 7



UNITED STATES PATENT AND TRADEMARK OFFICE
CERTIFICATE OF CORRECTION

PATENT NO. : Des. 384,642

DATED : October 7, 1997

INVENTOR(S) : KAZUHIKO MIYAHARA

It is certified that error appears in the above-identified patent and that said Letters Patent is hereby corrected as shown below:

On the title page, item

[57] DESCRIPTION

Fig. 1, "desing;" should read --design;--.

Signed and Sealed this

Twenty-third Day of December, 1997



Attest:

BRUCE LEHMAN

Attesting Officer

Commissioner of Patents and Trademarks