

US00D384636S

United States Patent [19]

[11] Patent Number: **Des. 384,636**

Beck et al.

[45] Date of Patent: ****Oct. 7, 1997**

[54] FLOAT POWER MOUNT

[76] Inventors: **Reed G. Beck**, 1898 E. Summer Park Cir., Sandy, Utah 84093; **Matt Wray**, 3810 W. Saddle Back Rd., Park City, Utah 84098

[**] Term: **14 Years**

[21] Appl. No.: **55,597**

[22] Filed: **Jun. 7, 1996**

[51] LOC (6) Cl. **12-06**

[52] U.S. Cl. **D12/316; D21/236**

[58] Field of Search **D12/300, 316; D21/236, 237; 441/130, 131, 81; 114/346, 343, 345**

[56] **References Cited**

U.S. PATENT DOCUMENTS

- 1,793,905 2/1931 Chesnut .
- 2,497,490 2/1950 Daniels .
- 3,324,488 6/1967 Schulz, Jr. .
- 3,694,835 10/1972 Casey et al. .
- 3,881,442 5/1975 Seiple .
- 4,021,873 5/1977 Francois .

- 4,371,144 2/1983 Godlewski .
- 4,596,529 6/1986 Goodman .
- 4,911,094 3/1990 Akers .
- 5,090,930 2/1992 Walden .
- 5,224,891 7/1993 Stephens .
- 5,399,111 3/1995 Kobayashi et al. .
- 5,474,481 12/1995 Ramsey .
- 5,485,981 1/1996 Lindahl .

Primary Examiner—Kay H. Chin
Attorney, Agent, or Firm—M. Reid Russell

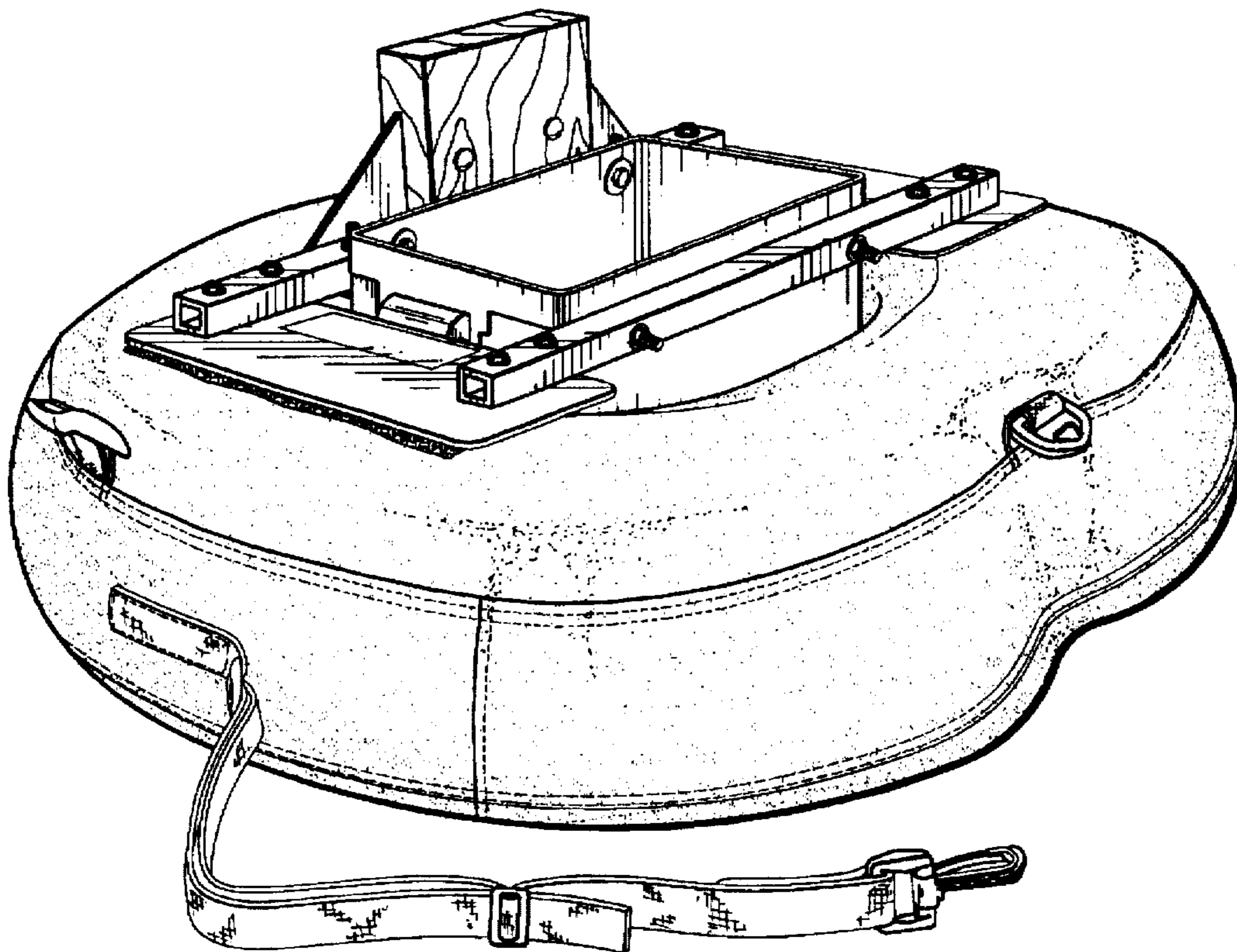
[57] **CLAIM**

The ornamental design for a float power mount, as shown and described.

DESCRIPTION

FIG. 1 is a frontal perspective view taken from the top left side of a float power mount showing our new design; FIG. 2 is a top plan view taken; FIG. 3 is a front elevation view thereof; FIG. 4 is a left side elevation view thereof with a right side elevation view thereof being the mirror image; FIG. 5 is a rear elevation view thereof; and, FIG. 6 is a bottom plan thereof.

1 Claim, 3 Drawing Sheets



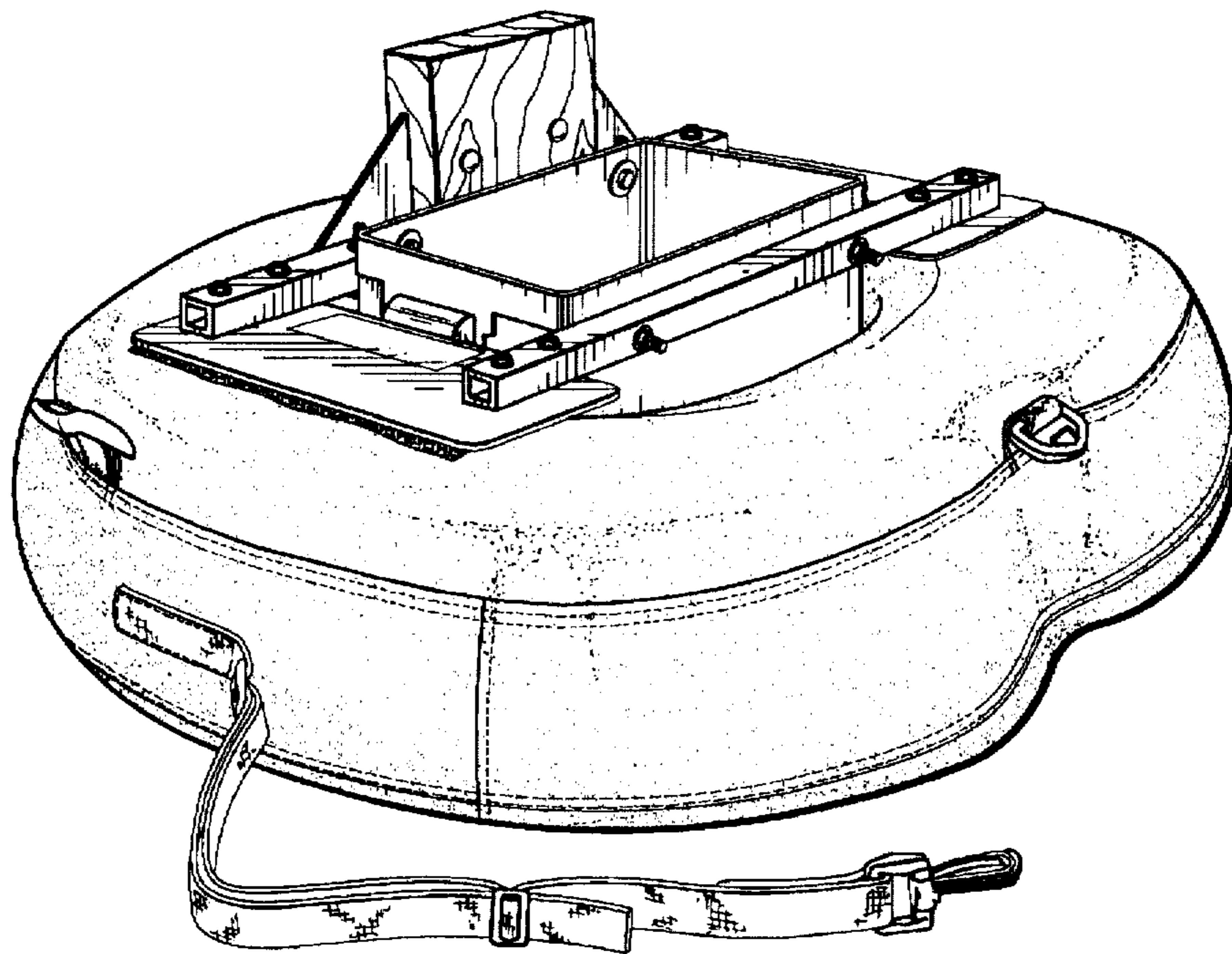


FIG. 1

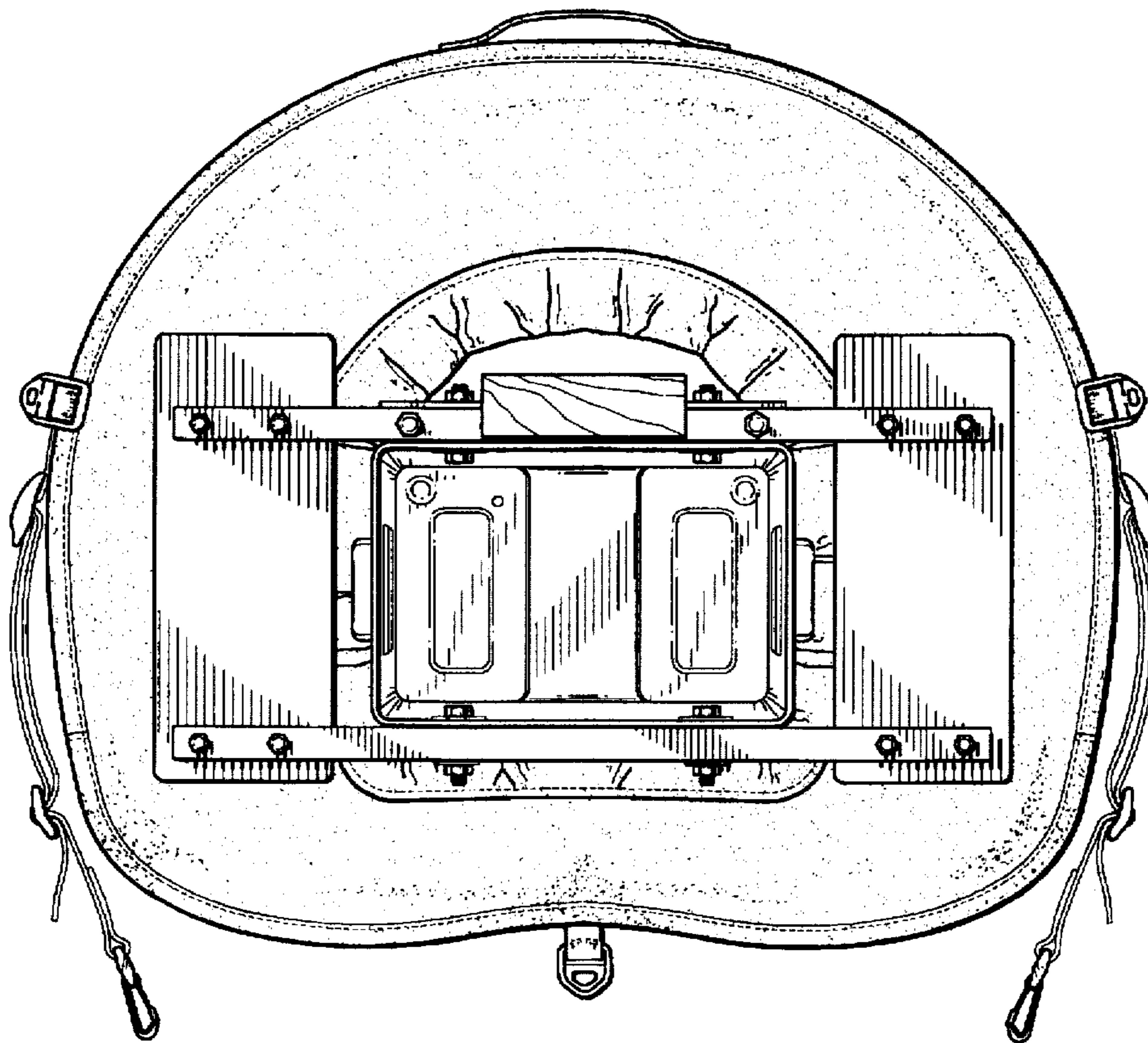


FIG. 2

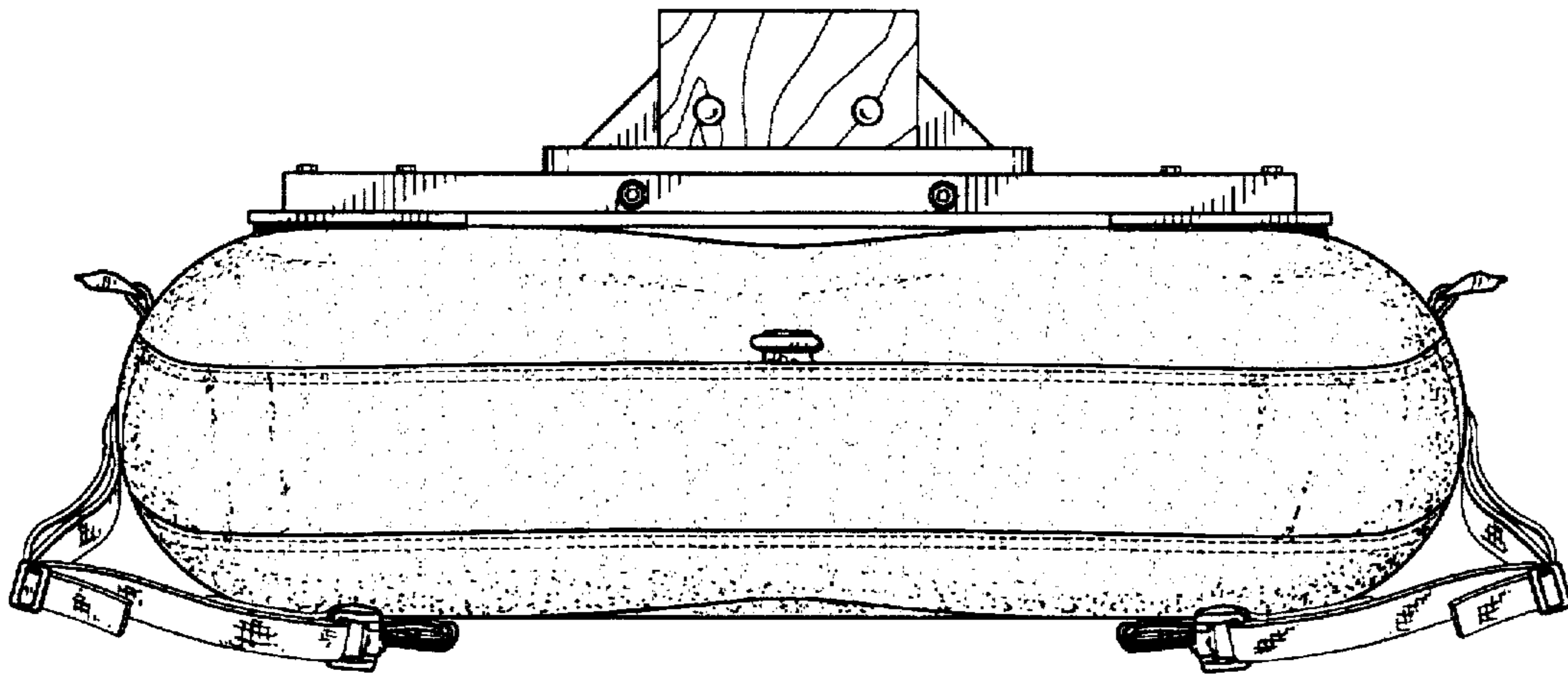


FIG. 3

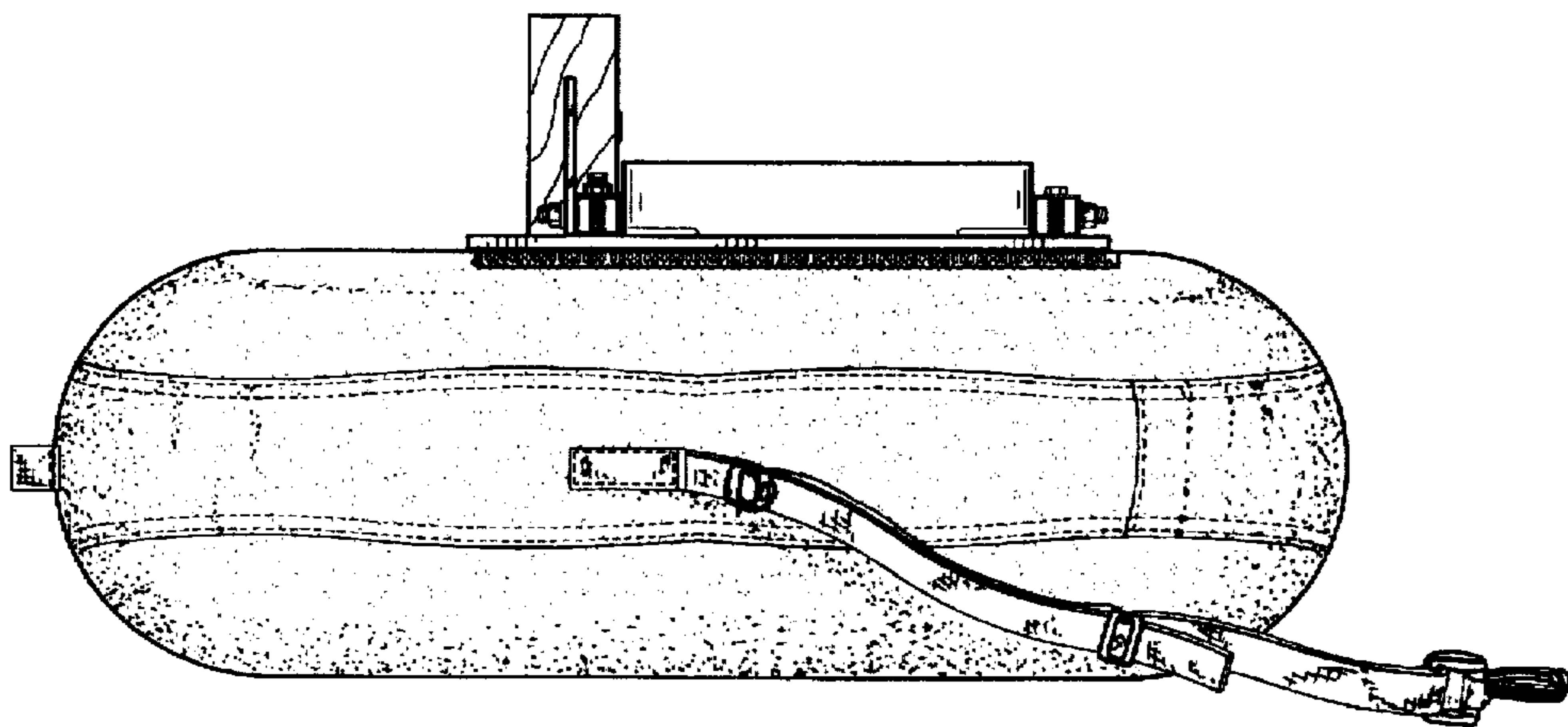


FIG. 4

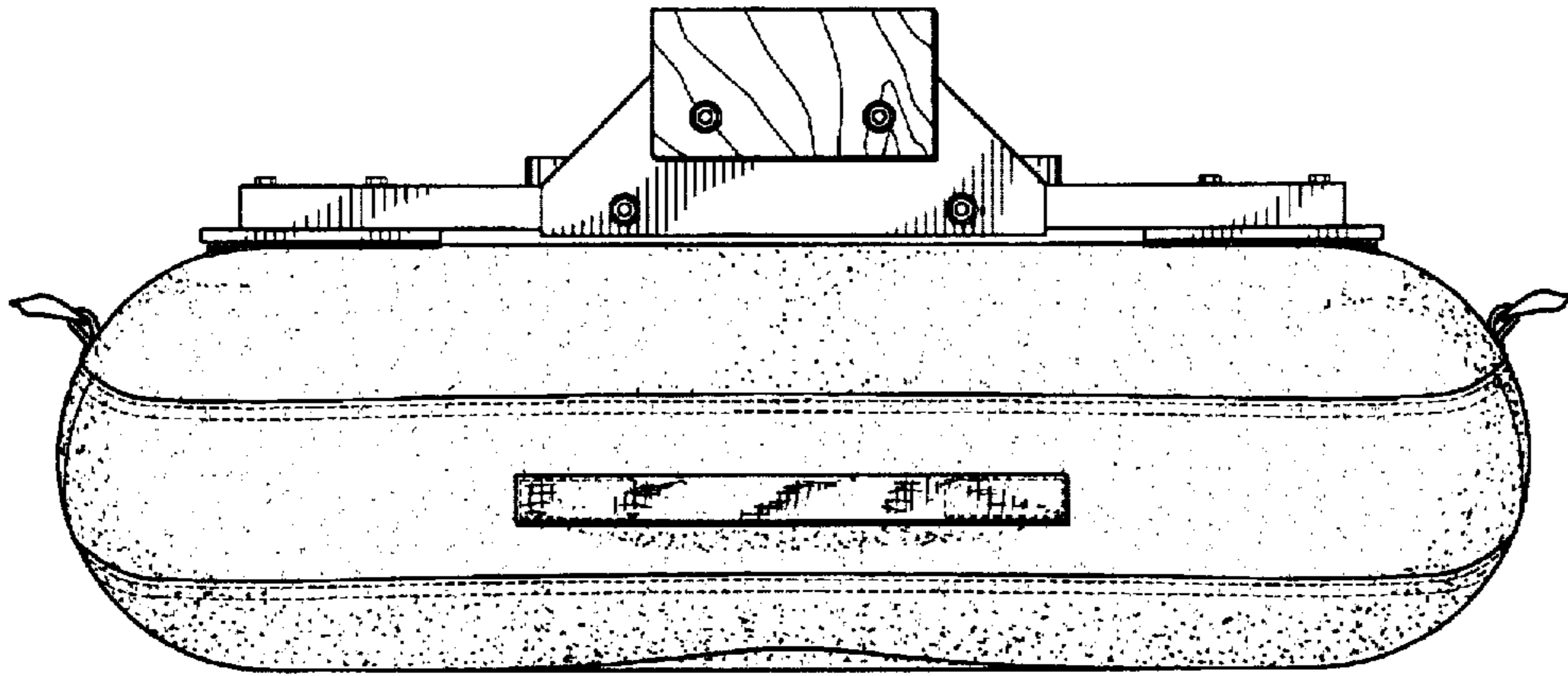


FIG. 5

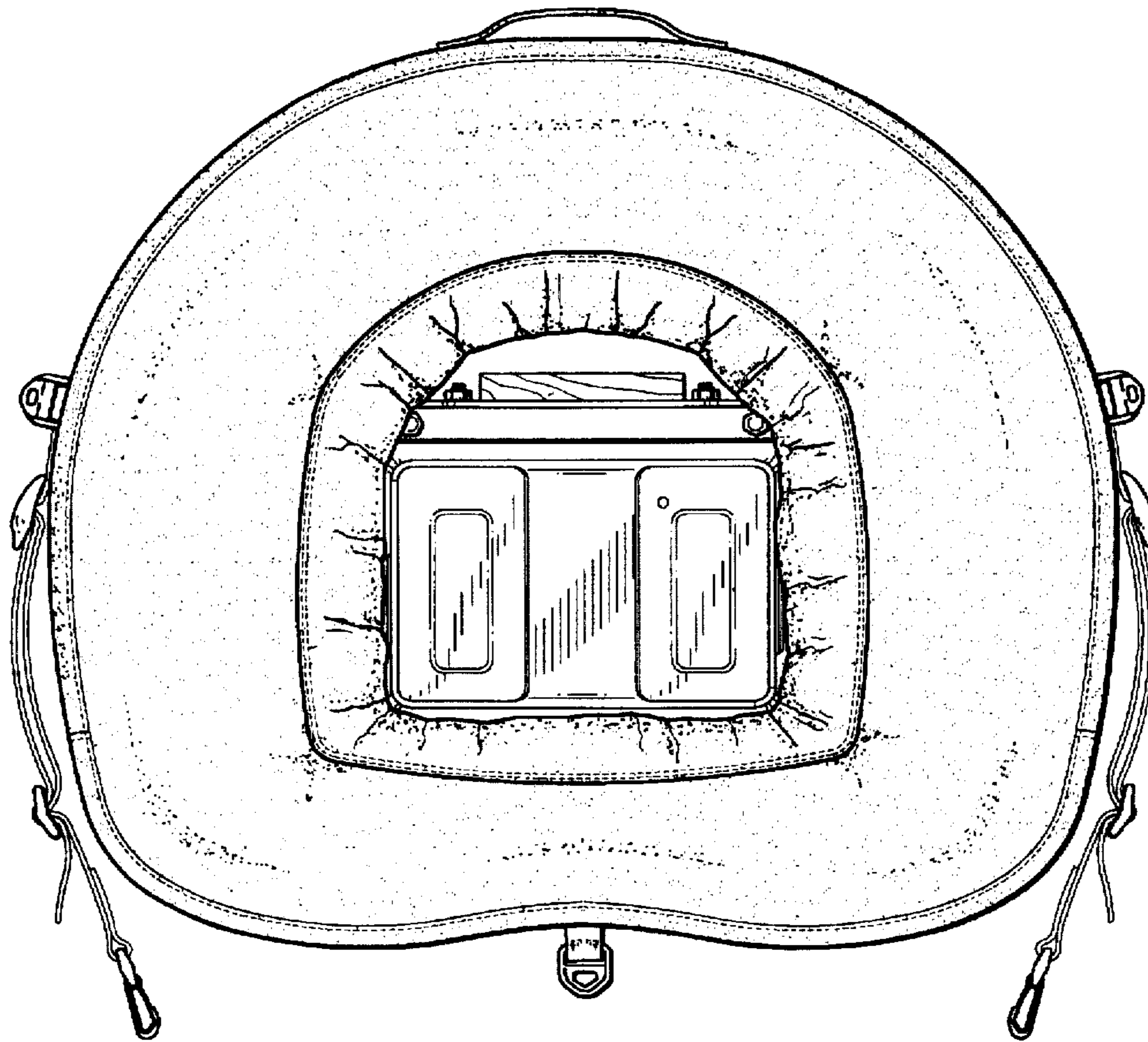


FIG. 6