

US00D384635S

United States Patent [19]

Peterson

[11] Patent Number: **Des. 384,635**

[45] Date of Patent: ****Oct. 7, 1997**

[54] PONTON BOAT

[75] Inventor: **Leroy L. Peterson**, Omaha, Nebr.

[73] Assignee: **Sportsstuff Inc.**, Omaha, Nebr.

[**] Term: **14 Years**

[21] Appl. No.: **54,998**

[22] Filed: **May 28, 1996**

[51] LOC (6) Cl. **12-06**

[52] U.S. Cl. **D12/304; D21/236; D12/316**

[58] Field of Search D12/300, 306,
D12/316; D21/236, 237; 114/345, 346,
270, 61, 357, 363, 343, 354, 39.1; 441/37,
131, 44, 130

[56] **References Cited**

U.S. PATENT DOCUMENTS

D. 362,706 9/1995 Wamsley D12/306

4,782,777	11/1988	Sussman	114/357
4,915,047	4/1990	Lord et al.	114/39.1
5,290,196	3/1994	Steel	441/130

Primary Examiner—Kay H. Chin
Attorney, Agent, or Firm—Henderson & Sturm

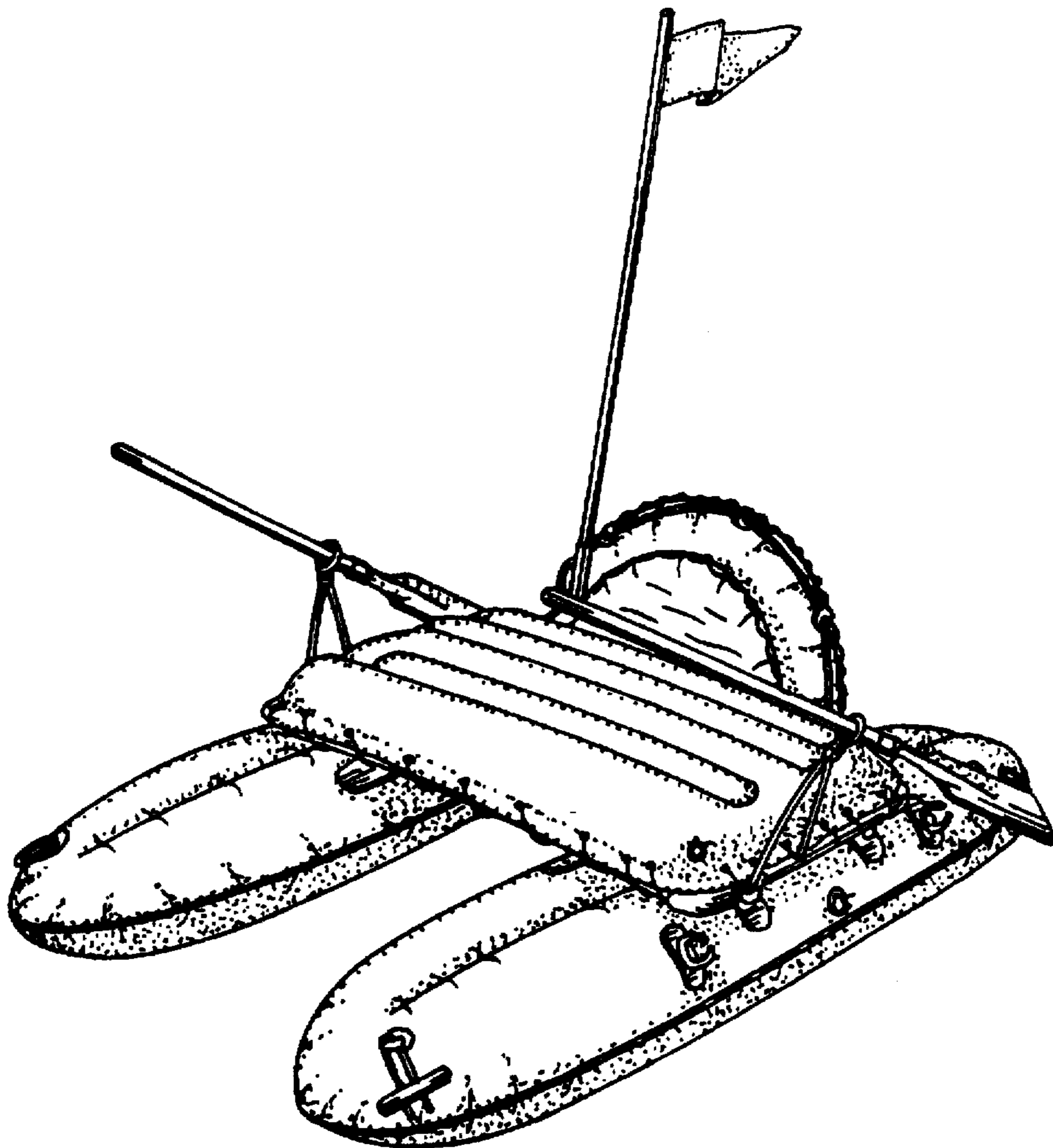
[57] **CLAIM**

The ornamental design for a pontoon boat, as shown and described.

DESCRIPTION

FIG. 1 is a front perspective view of the pontoon boat showing my new design;
FIG. 2 is a left side elevational view thereof;
FIG. 3 is a right side elevational view thereof;
FIG. 4 is a top plan view thereof;
FIG. 5 is a bottom plan view thereof;
FIG. 6 is a front elevational view thereof; and,
FIG. 7 is a rear elevational view thereof.

1 Claim, 3 Drawing Sheets



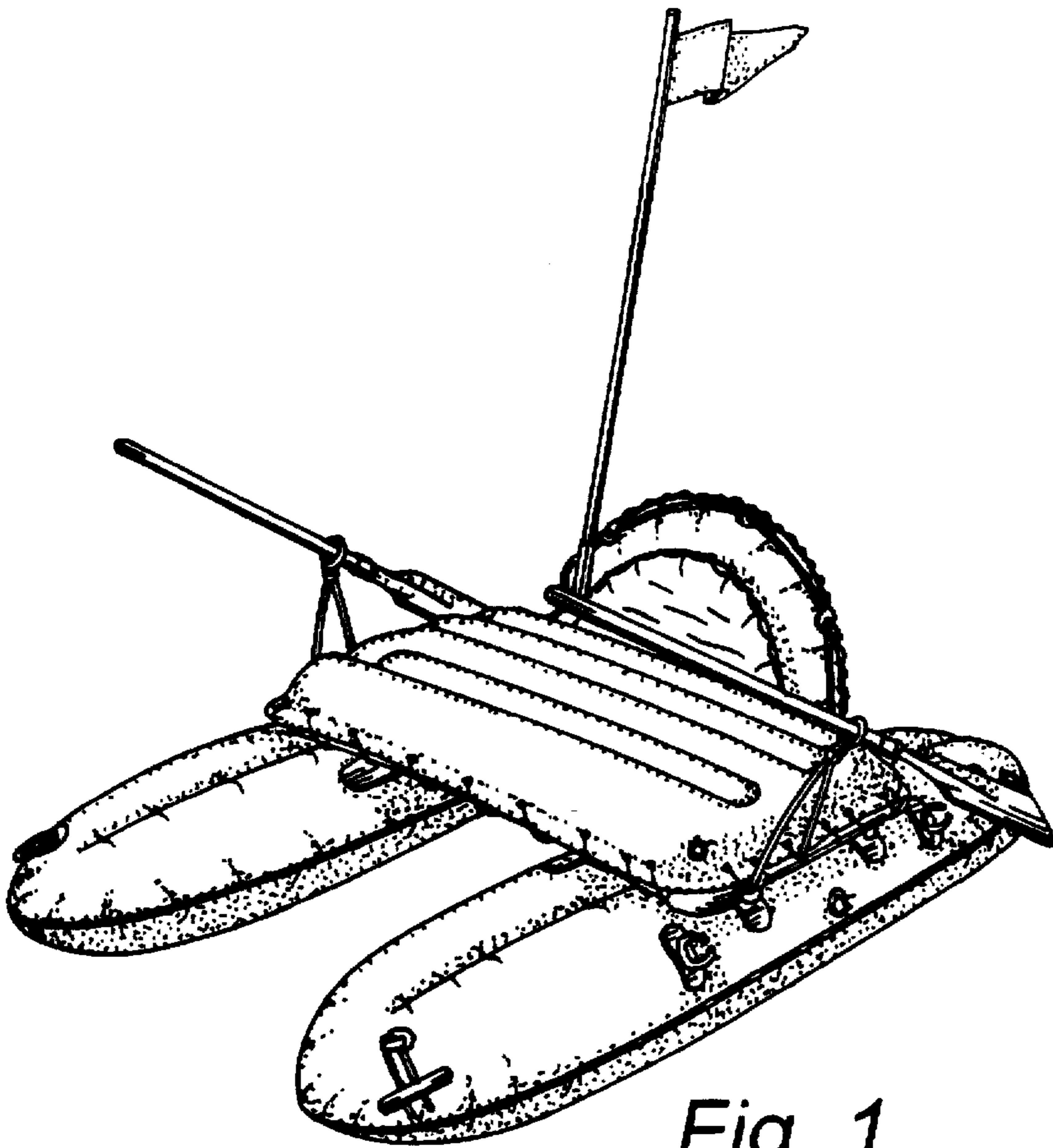


Fig. 1

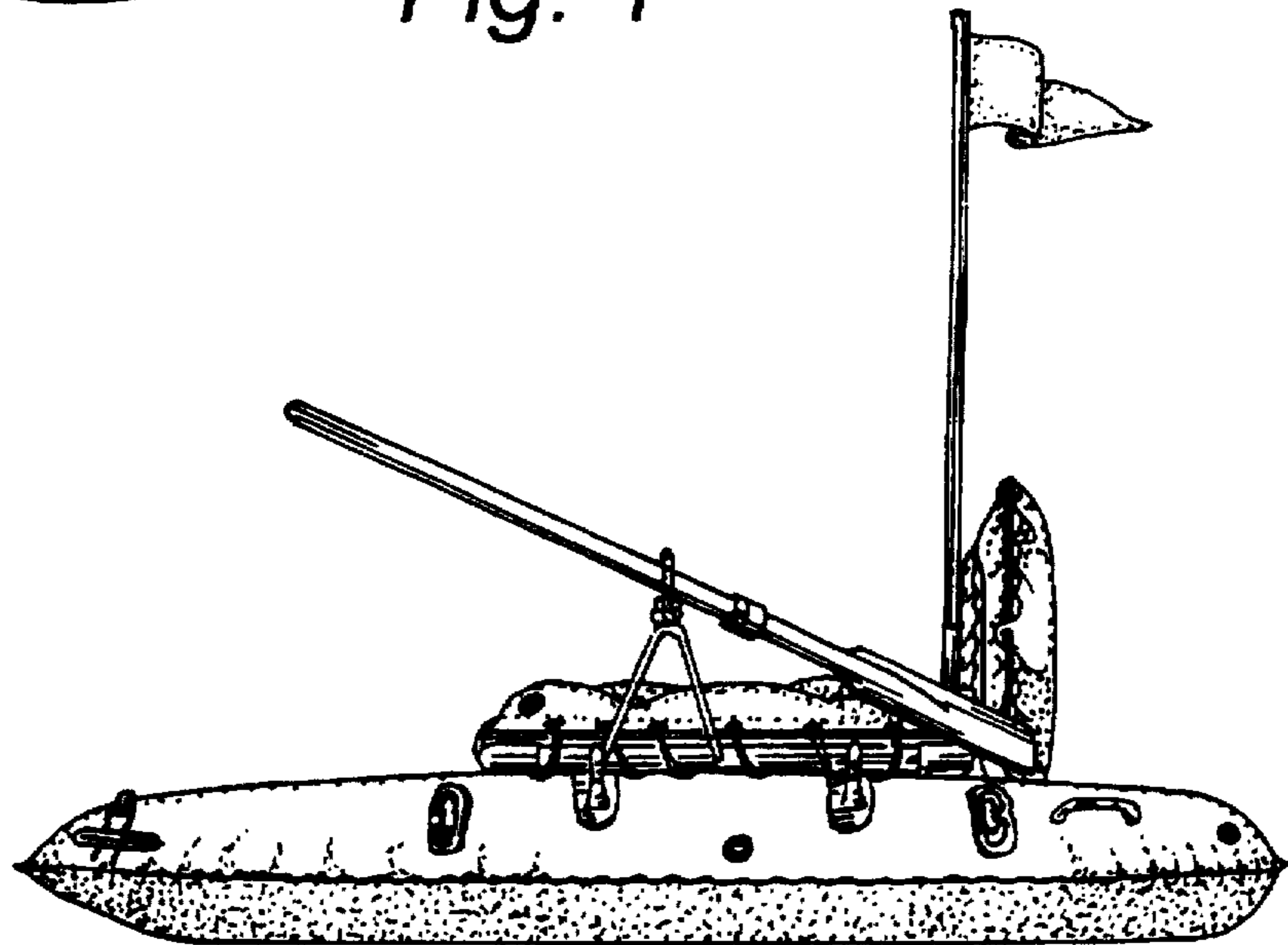


Fig. 2

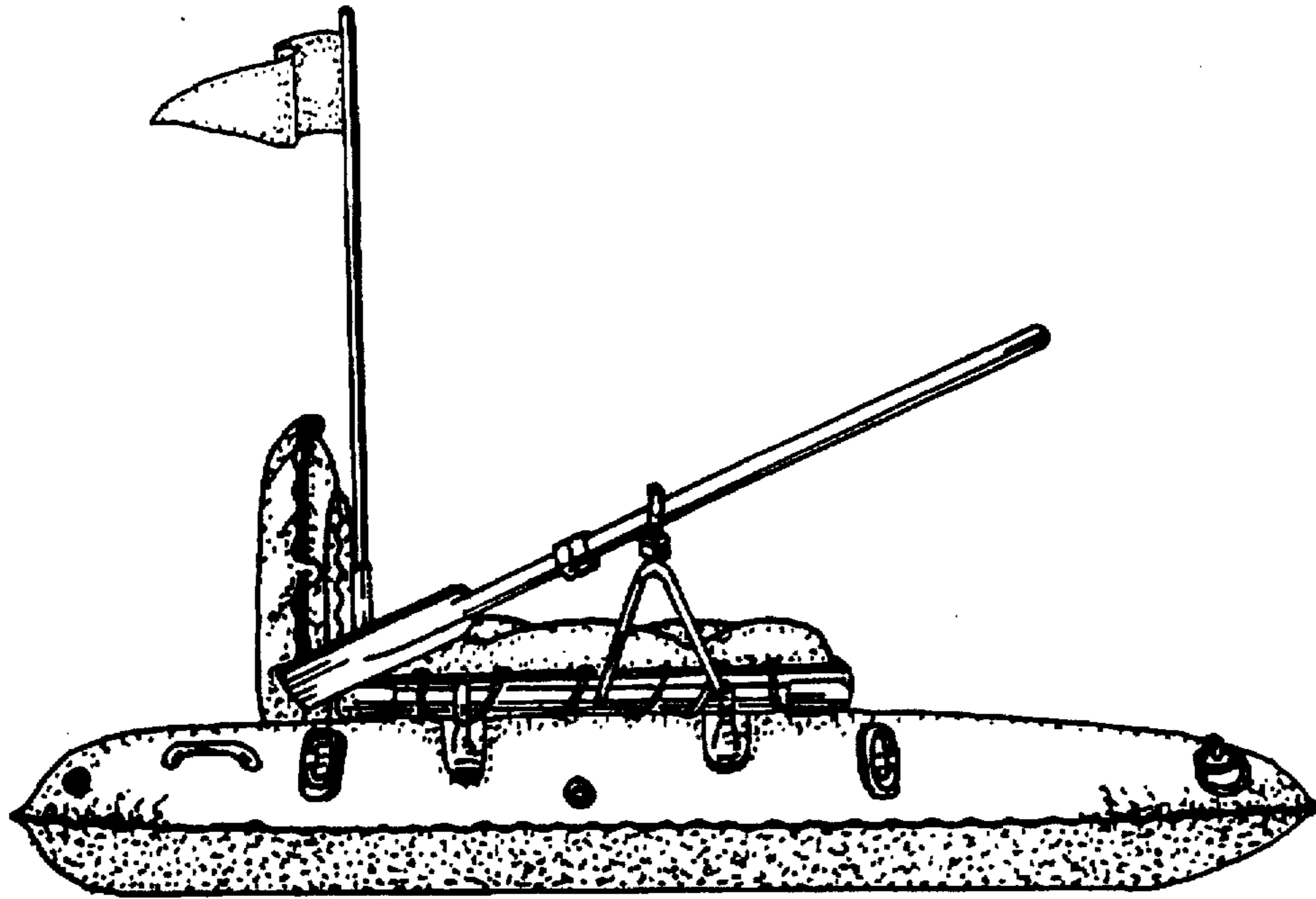


Fig. 3

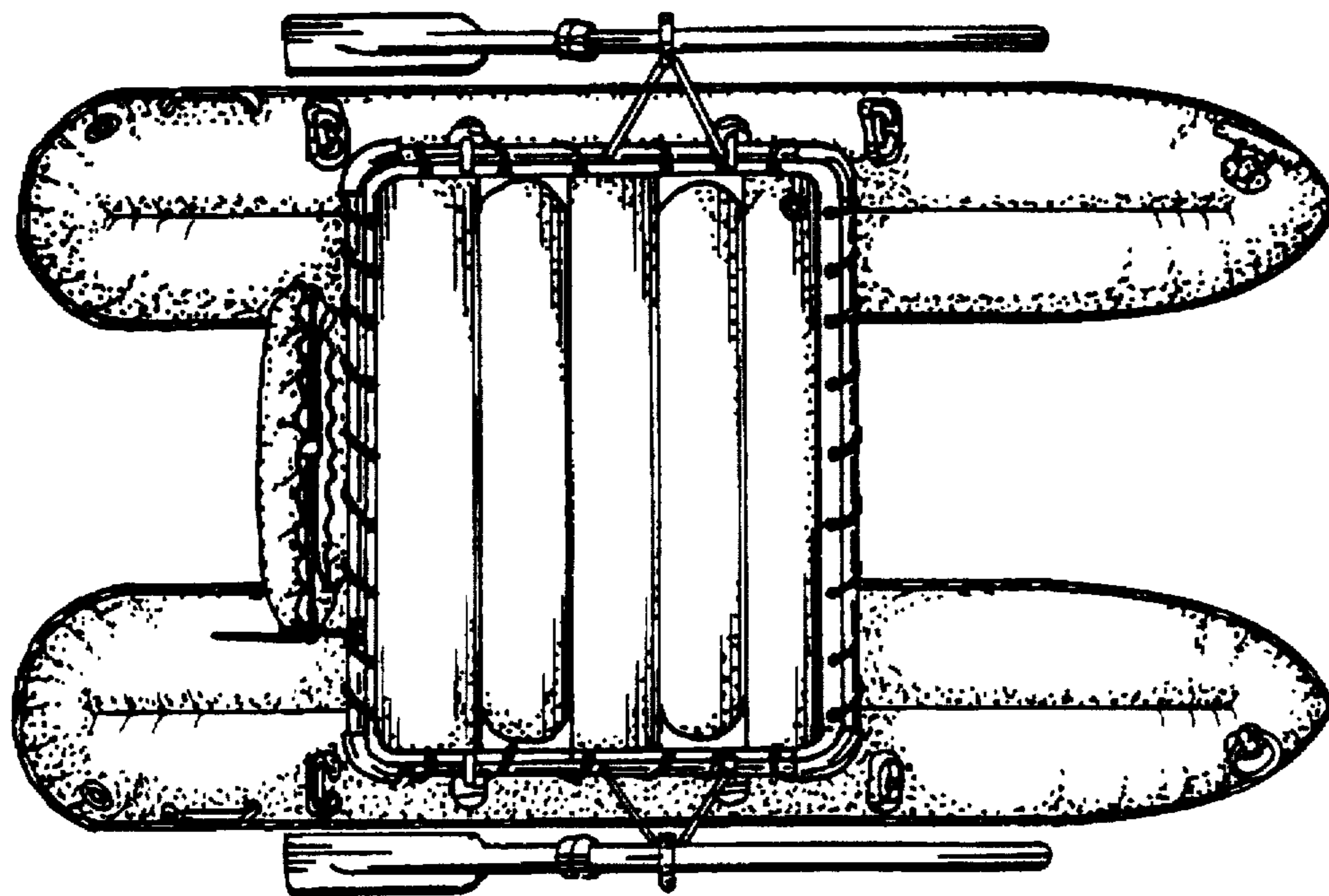


Fig. 4

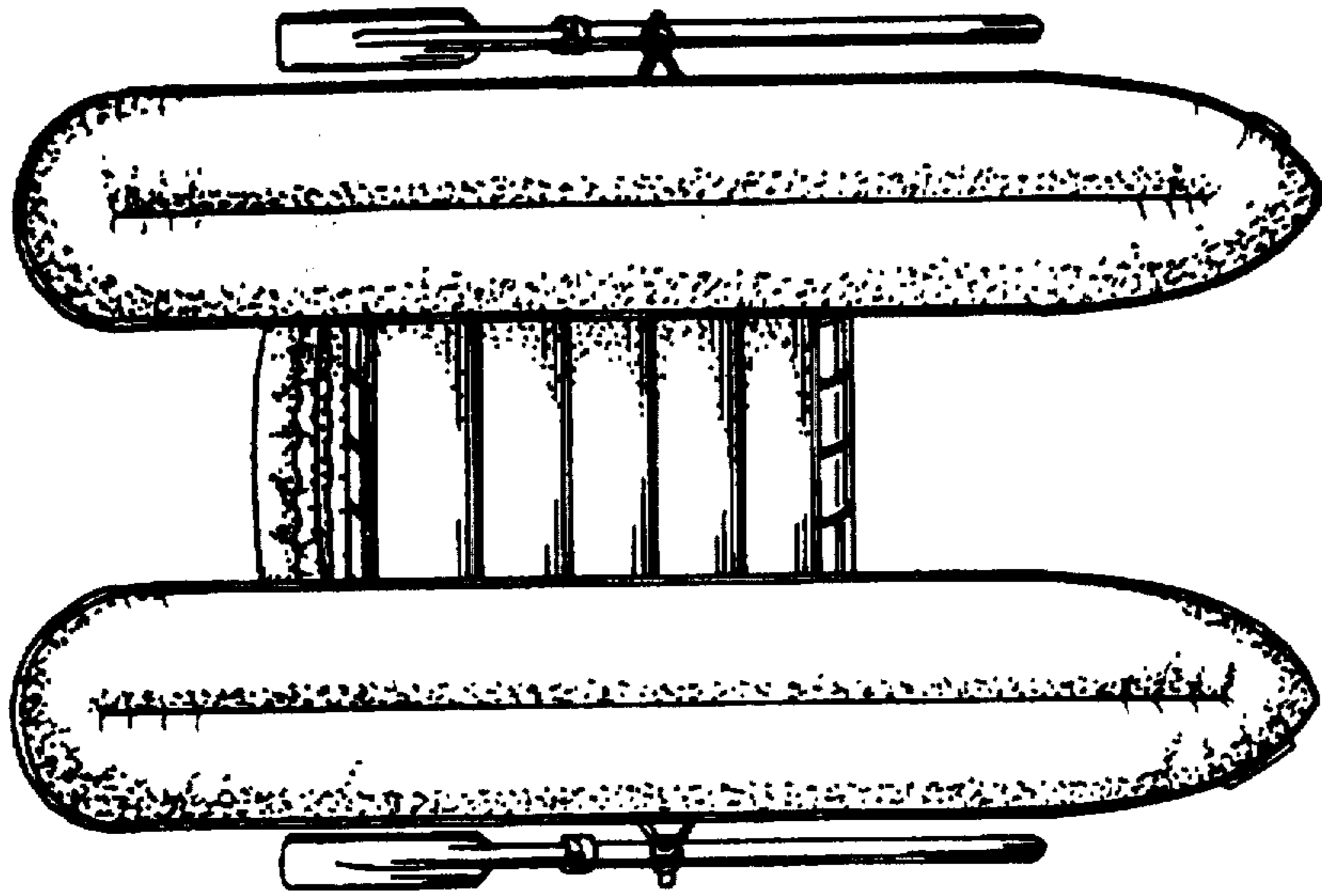


Fig. 5

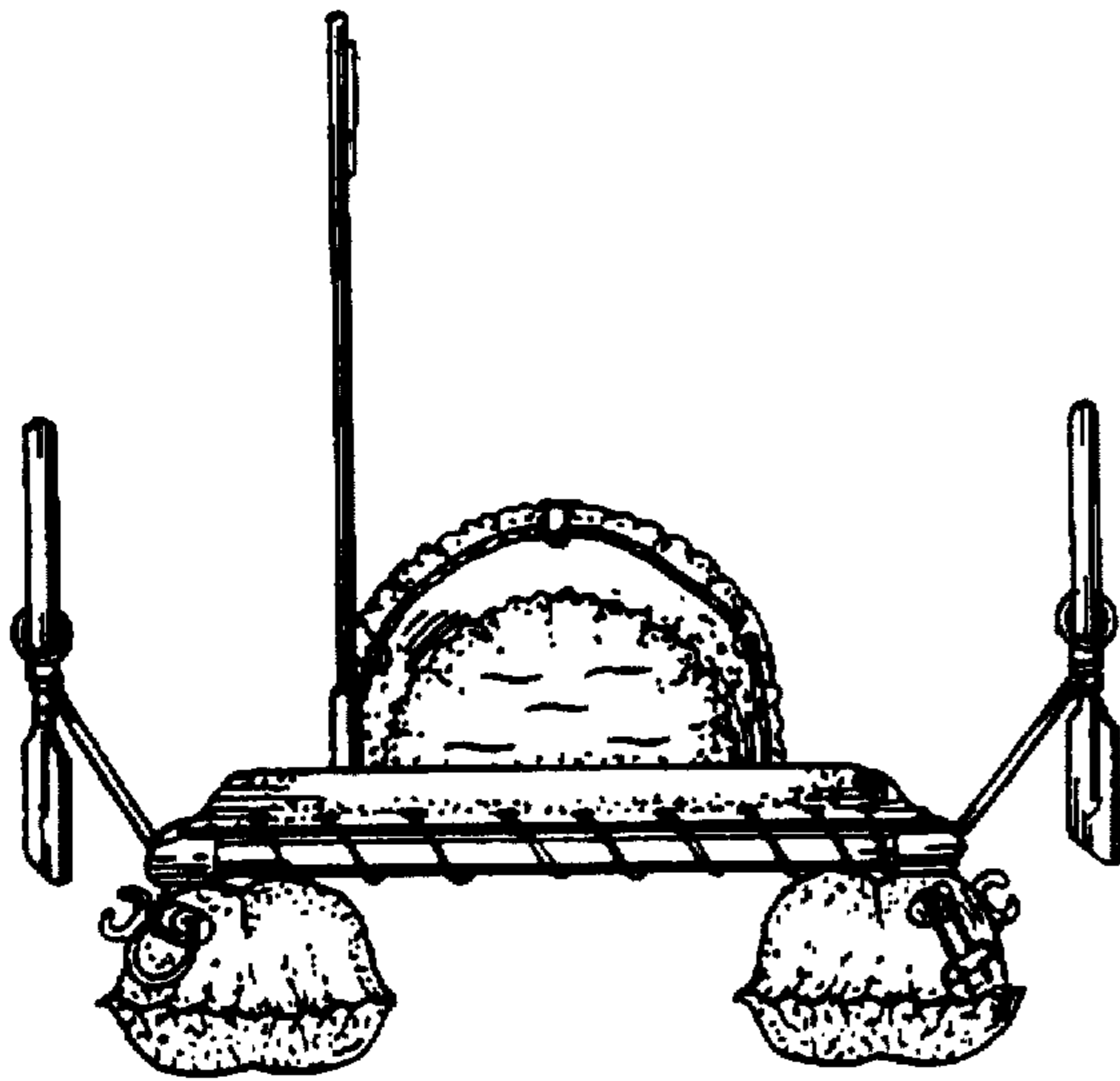


Fig. 6

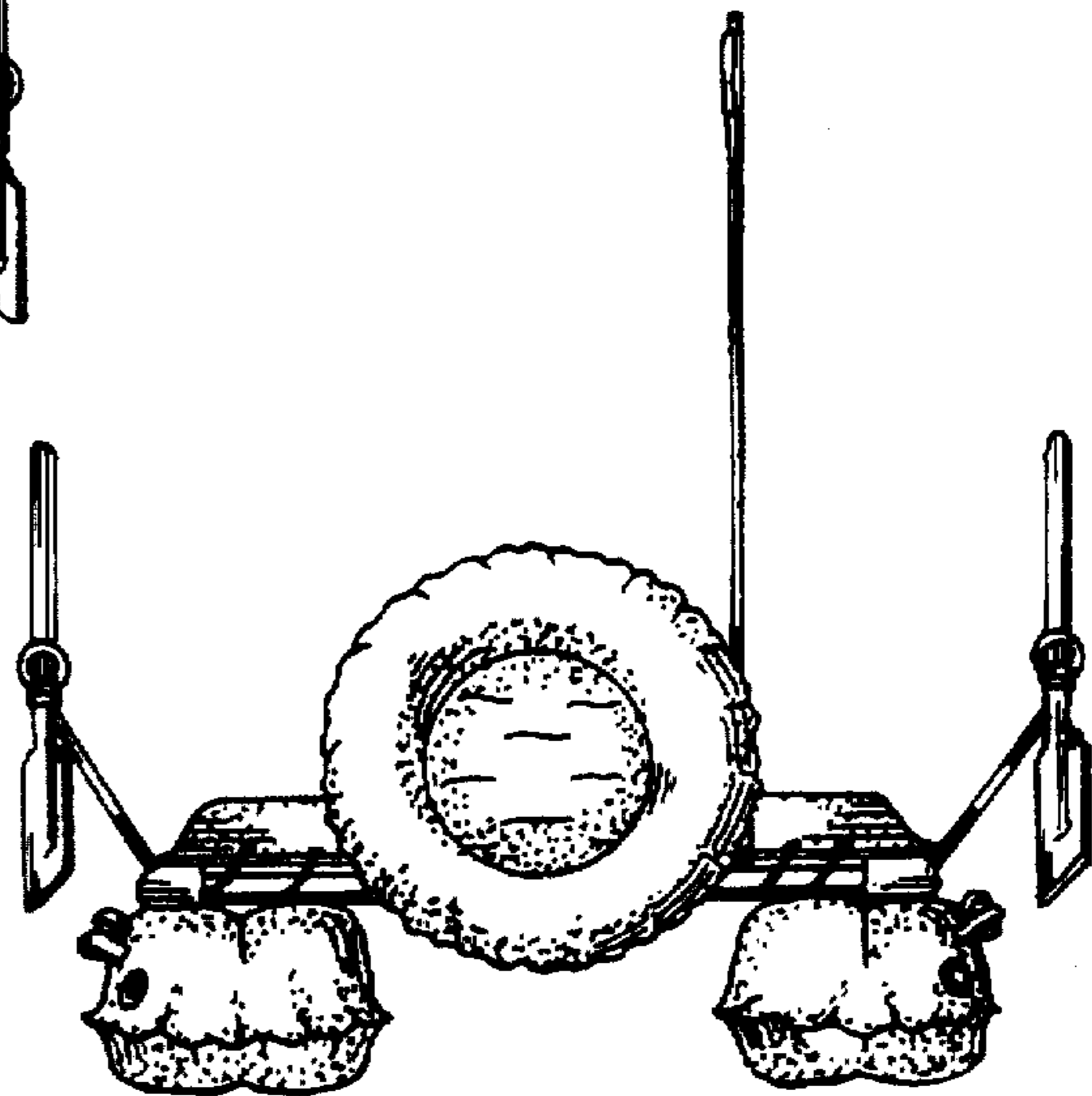


Fig. 7