

US00D384633S

United States Patent [19] Syring

[11] Patent Number: Des. 384,633

[45] Date of Patent: **Oct. 7, 1997

[54] **FRONT FACE OF A VEHICLE WHEEL**

[75] Inventor: **Marcus Syring**, Munich, Germany

[73] Assignee: **Bayerische Motoren Werke AG**,
Germany

[**] Term: **14 Years**

[21] Appl. No.: **45,652**

[22] Filed: **Oct. 25, 1995**

[30] **Foreign Application Priority Data**

Apr. 27, 1995 [DE] Germany M9503760.8

[51] LOC (6) Cl. 12-16

[52] U.S. Cl. D12/211

[58] Field of Search D12/204-212;
301/64.1, 65, 63.1

[56] **References Cited**

U.S. PATENT DOCUMENTS

D. 252,872 9/1979 Reppert D12/211

FOREIGN PATENT DOCUMENTS

92 02 061 8/1992 Germany 12/16

OTHER PUBLICATIONS

1994 Custom Wheel & Tire Style Guide, p. 23, See "EM 1
And EM 2".

Primary Examiner—B. J. Bullock

Assistant Examiner—Stacia Sinuik

Attorney, Agent, or Firm—Evenson, McKeown, Edwards &
Lenahan P.L.L.C.

[57] **CLAIM**

The ornamental design for a front face of a vehicle wheel,
as shown and described.

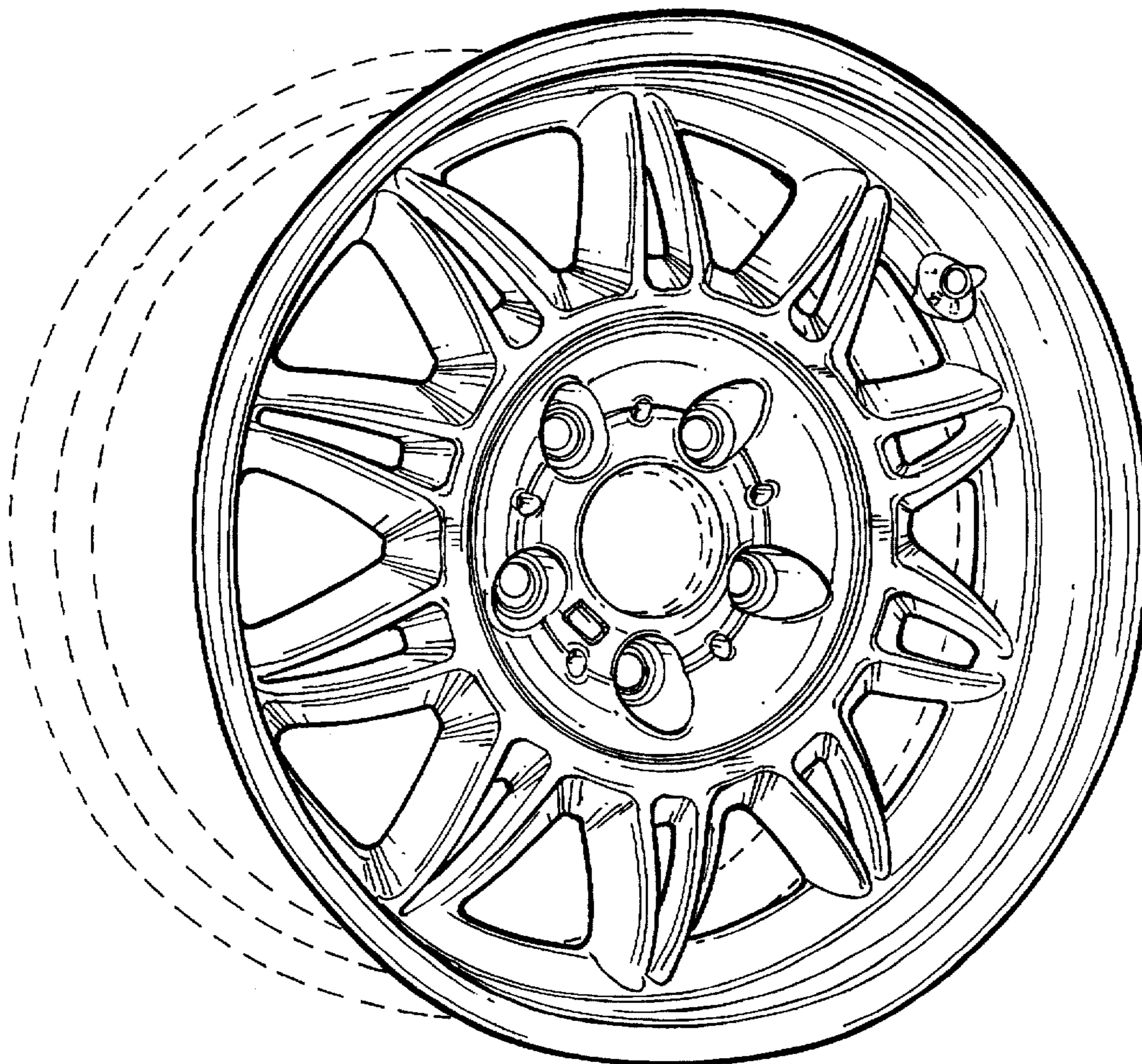
DESCRIPTION

FIG. 1 is a front perspective view of a front face of a vehicle
wheel according to my novel design; and,

FIG. 2 is a front view of a front face of a vehicle wheel
according to my novel design.

The broken line showing of environment is for illustrative
purposes only and forms no part of the claimed design.

1 Claim, 2 Drawing Sheets



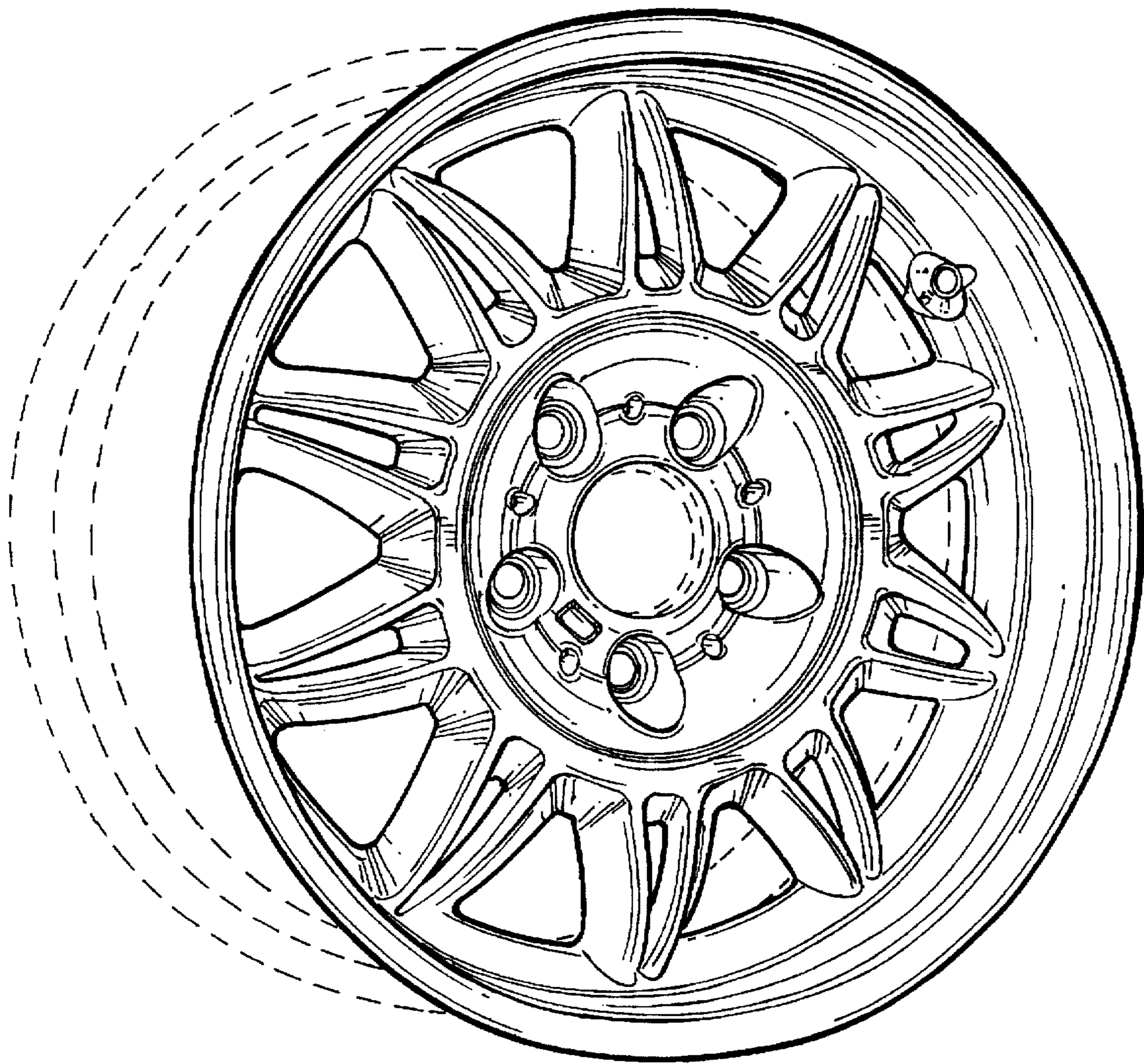


FIG. 1

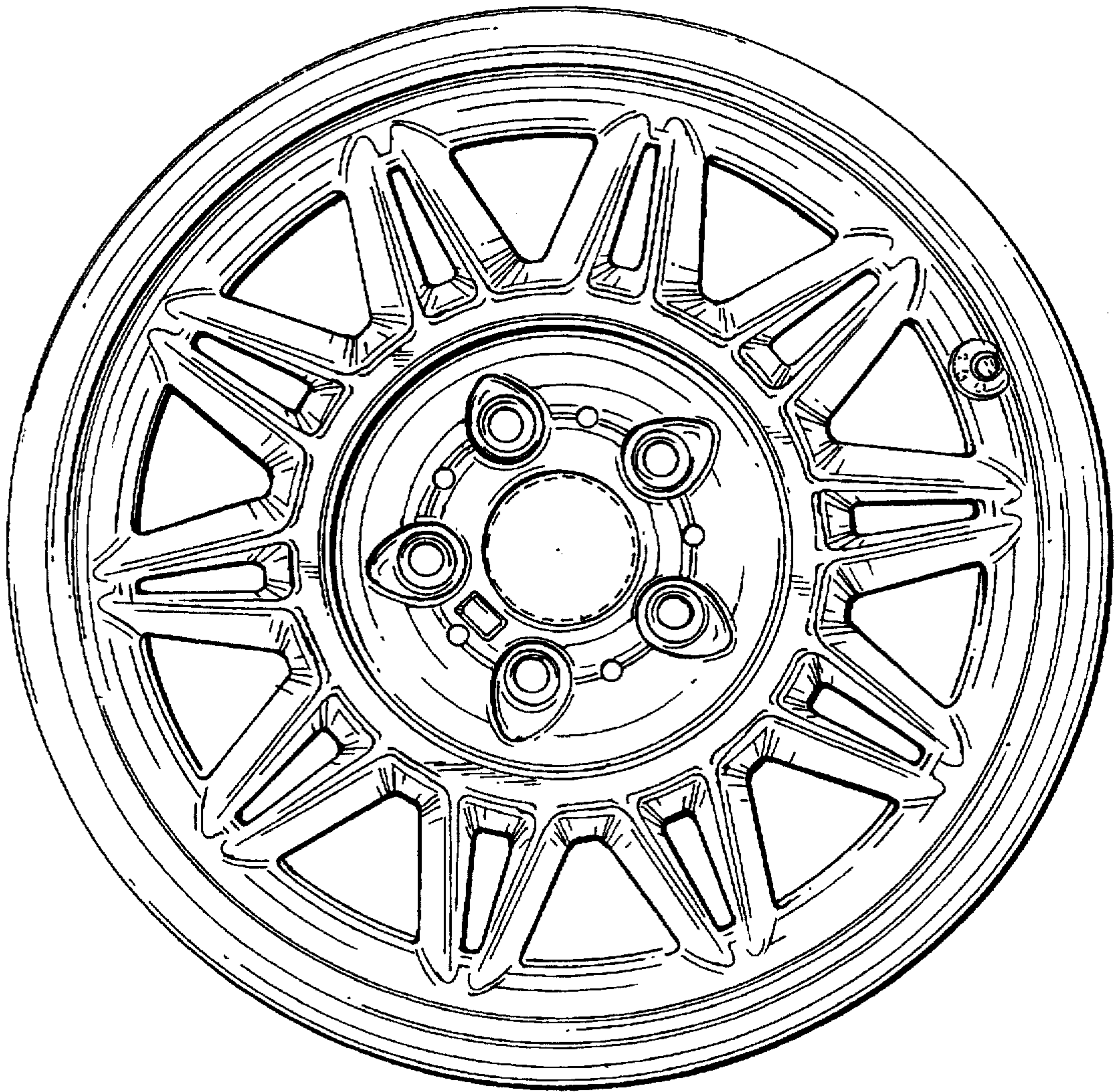


FIG. 2