



US00D384629S

United States Patent [19]
Nagashima

[11] **Patent Number:** **Des. 384,629**
[45] **Date of Patent:** ****Oct. 7, 1997**

[54] **FRONT FACE OF A VEHICLE WHEEL**

OTHER PUBLICATIONS

[75] **Inventor:** **Joji Nagashima**, München, Germany

Custom Wheel & Tire Style Guide 1993, p. 17, see item AR-24 FWD.

[73] **Assignee:** **Bayerische Motoren Werke AG**,
Germany

Primary Examiner—B. J. Bullock
Assistant Examiner—Stacia Sinuik
Attorney, Agent, or Firm—Evenson, McKeown, Edwards & Lenahan P.L.L.C.

[**] **Term:** **14 Years**

[21] **Appl. No.:** **42,139**

[22] **Filed:** **Aug. 2, 1995**

[57] **CLAIM**

[30] **Foreign Application Priority Data**

The ornamental design for a front face of a vehicle wheel, as shown and described.

Feb. 2, 1995 [DE] Germany 95 00 945.0

DESCRIPTION

[51] **LOC (6) Cl.** **12-16**

[52] **U.S. Cl.** **D12/209**

[58] **Field of Search** D12/209, 211;
301/64.1, 65, 37.1

FIG. 1 is a front perspective view of a front face of a vehicle wheel according to my novel design; and,

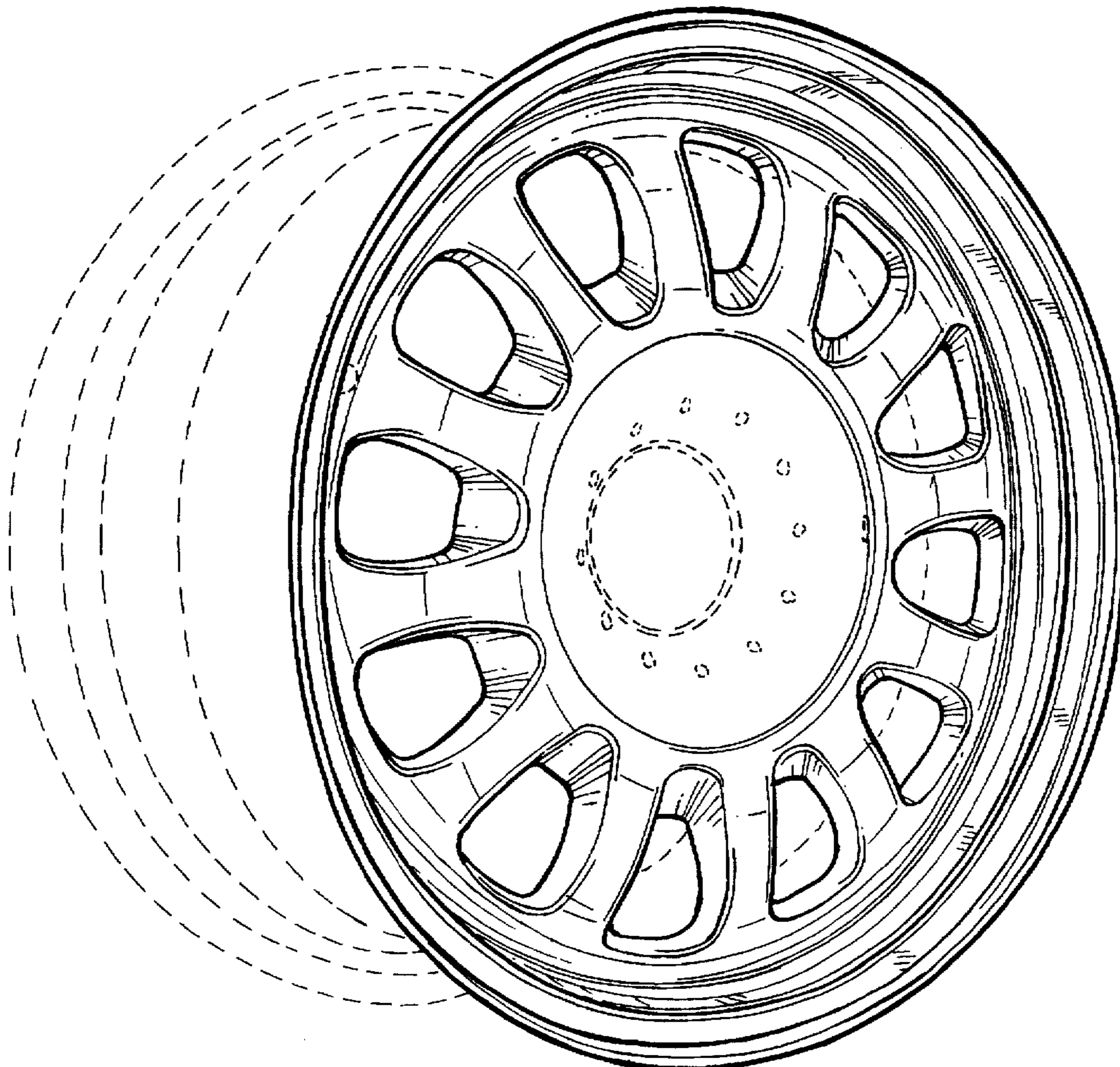
FIG. 2 is a front view of a front face of a vehicle wheel according to my novel design wherein the broken lines are for illustrative purposes only and form no part of the claimed design.

[56] **References Cited**

U.S. PATENT DOCUMENTS

D. 288,086 2/1987 Envall et al. D12/209
D. 363,457 10/1995 Coddington D12/209 X

1 Claim, 2 Drawing Sheets



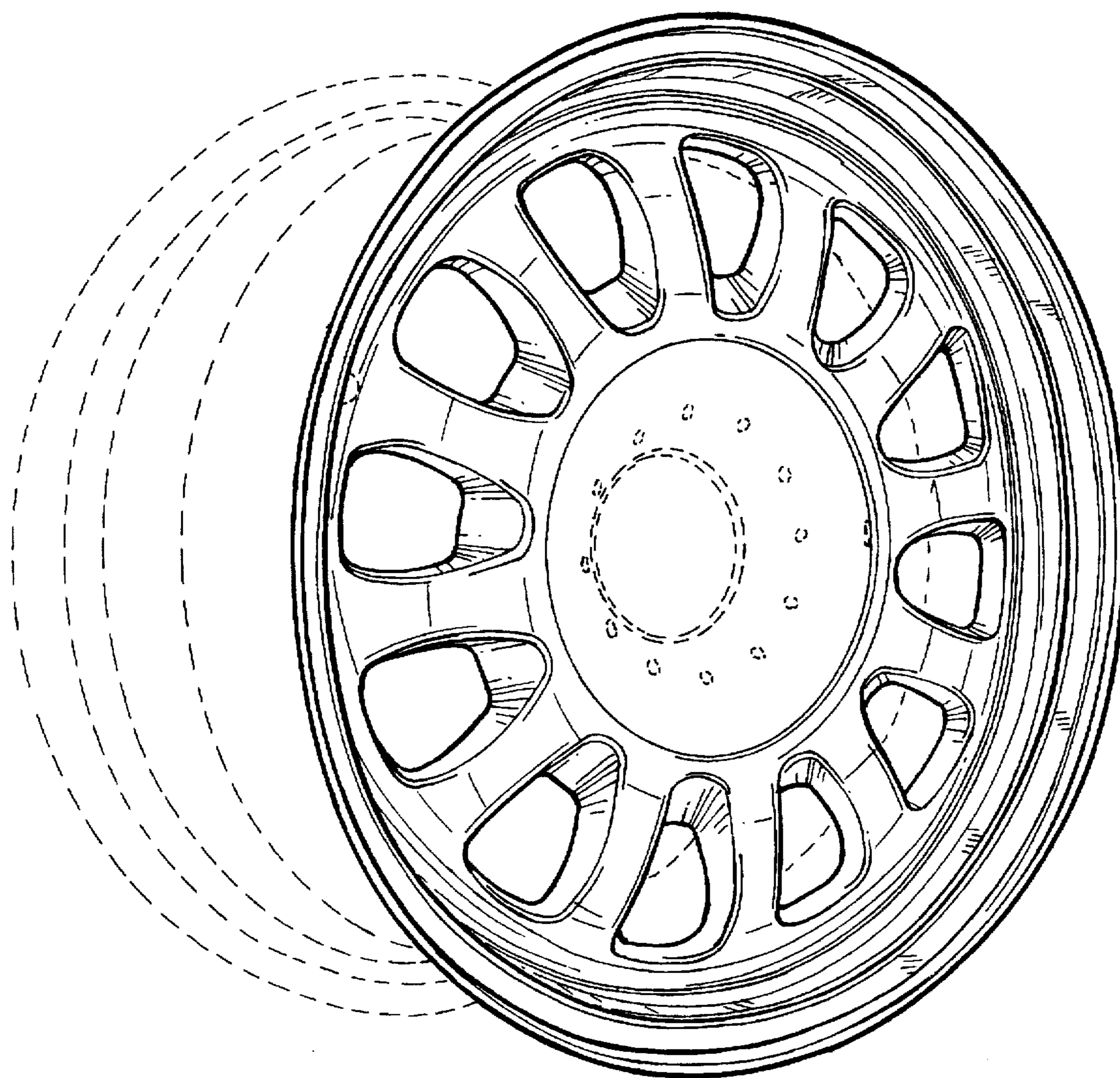


FIG. 1

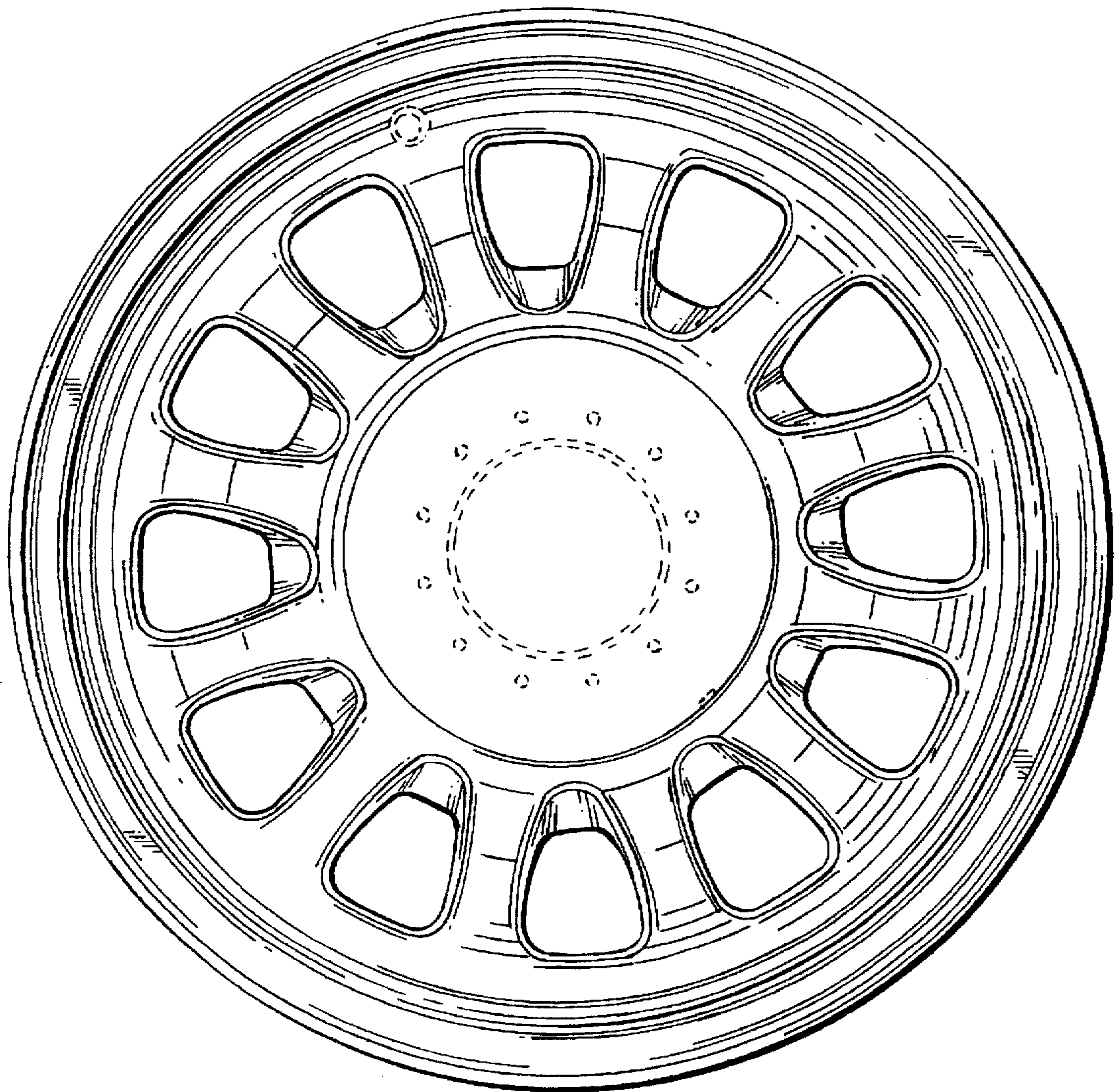


FIG. 2