



US00D384626S

United States Patent [19]

Lehman et al.

[11] Patent Number: **Des. 384,626**

[45] Date of Patent: ****Oct. 7, 1997**

[54] **REAR WHEEL ASSEMBLY FOR A MOTORCYCLE TO TRICYCLE CONVERSION KIT**

D. 263,693 4/1982 Kaiser et al. 180/215 X
4,372,416 2/1983 Igarashi 180/215

OTHER PUBLICATIONS

Dispatch Tow Model Indian Motorcycle Co. Jan. 1940.

Primary Examiner—Louis S. Zarfes

Assistant Examiner—Frank Martinez

Attorney, Agent, or Firm—Anthony R. Lambert

[75] Inventors: **John Lehman**, Westlock; **Larry David Strilchuk**, Spruce Groove, both of Canada

[73] Assignee: **Lehman Trikes, Inc.**, Westlock, Canada

[**] Term: **14 Years**

[57] CLAIM

The ornamental design for a rear wheel assembly for a motorcycle to tricycle conversion kit, as shown and described.

[21] Appl. No.: **51,140**

[22] Filed: **Mar. 4, 1996**

DESCRIPTION

[51] LOC (6) Cl. **12-16**

[52] U.S. Cl. **D12/181**

[58] Field of Search D12/181, 110;
180/210, 215, 112, 114; 280/7.15

FIG. 1 is perspective view;

FIG. 2 is a right side elevation view, the left side elevation view being a mirror image thereof;

FIG. 3 is a top plan view;

FIG. 4 is a front elevation view; and,

FIG. 5 is a rear elevation view.

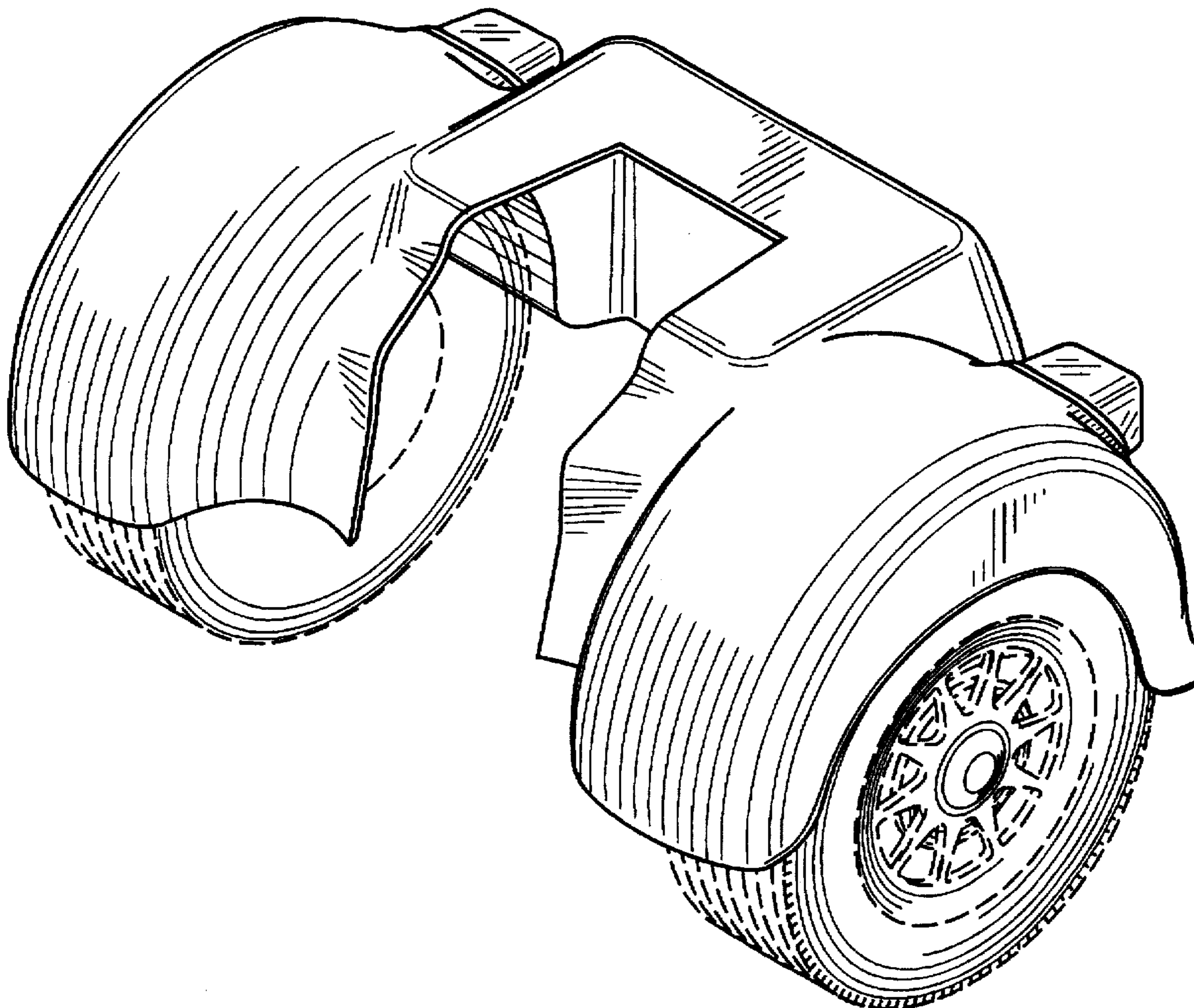
The broken line showing of a vehicle with tires is for illustrative purposes only and forms no part of the claimed design.

[56] References Cited

U.S. PATENT DOCUMENTS

D. 126,663 4/1941 Niblack D12/110
D. 229,986 1/1974 Widgren D12/110 X
D. 234,499 3/1975 Altepeter D12/110

1 Claim, 5 Drawing Sheets



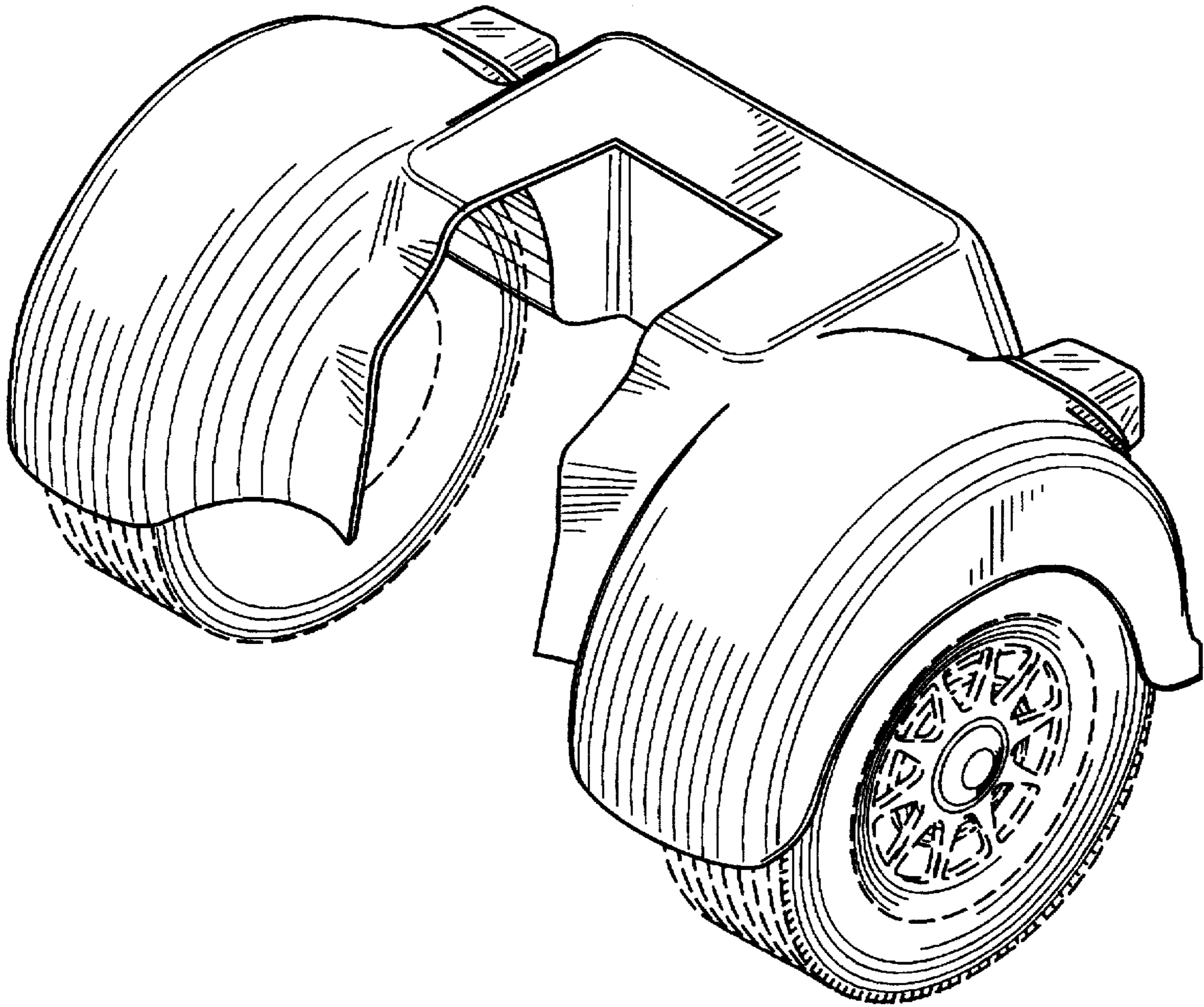


FIG. 1.

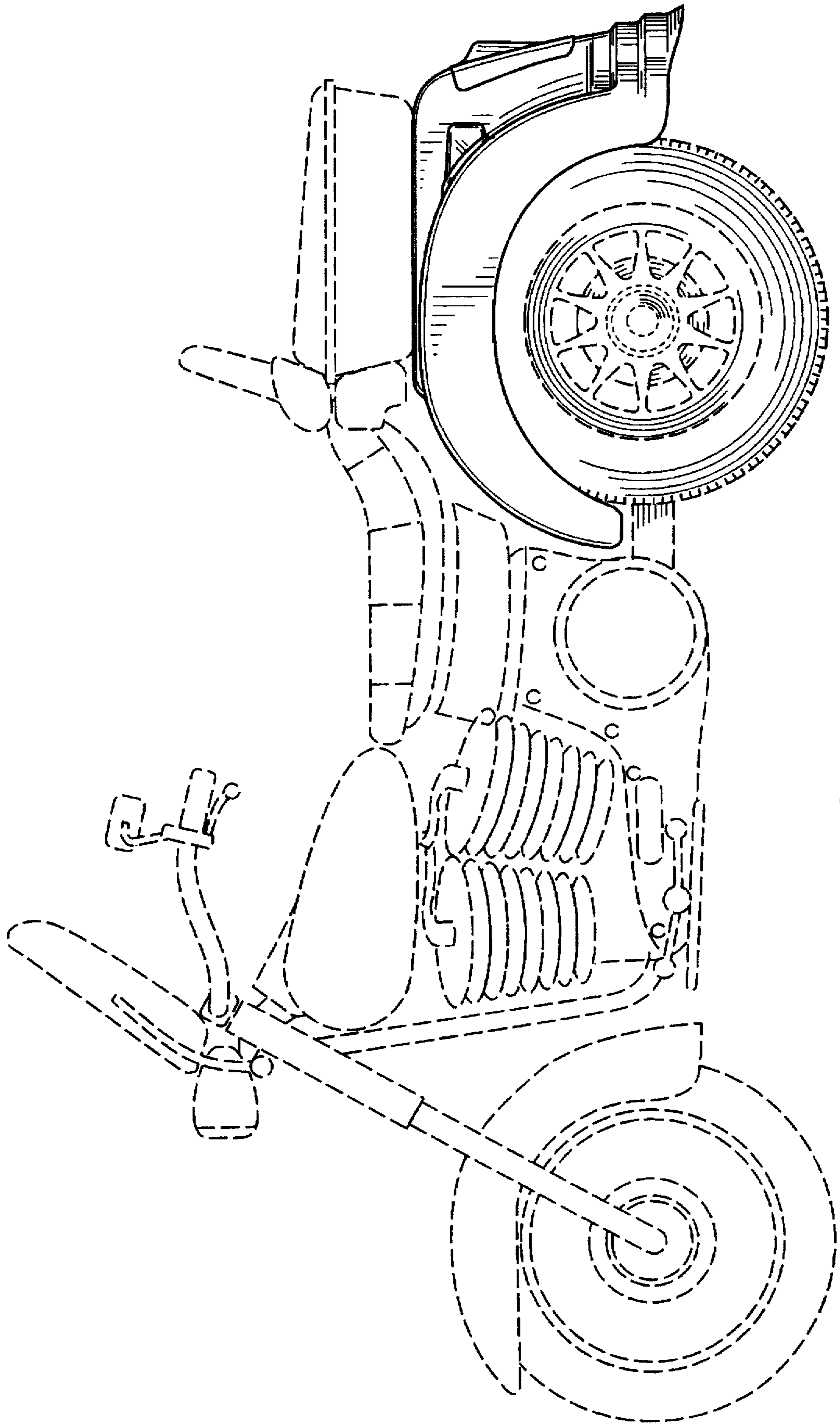


FIG. 2.

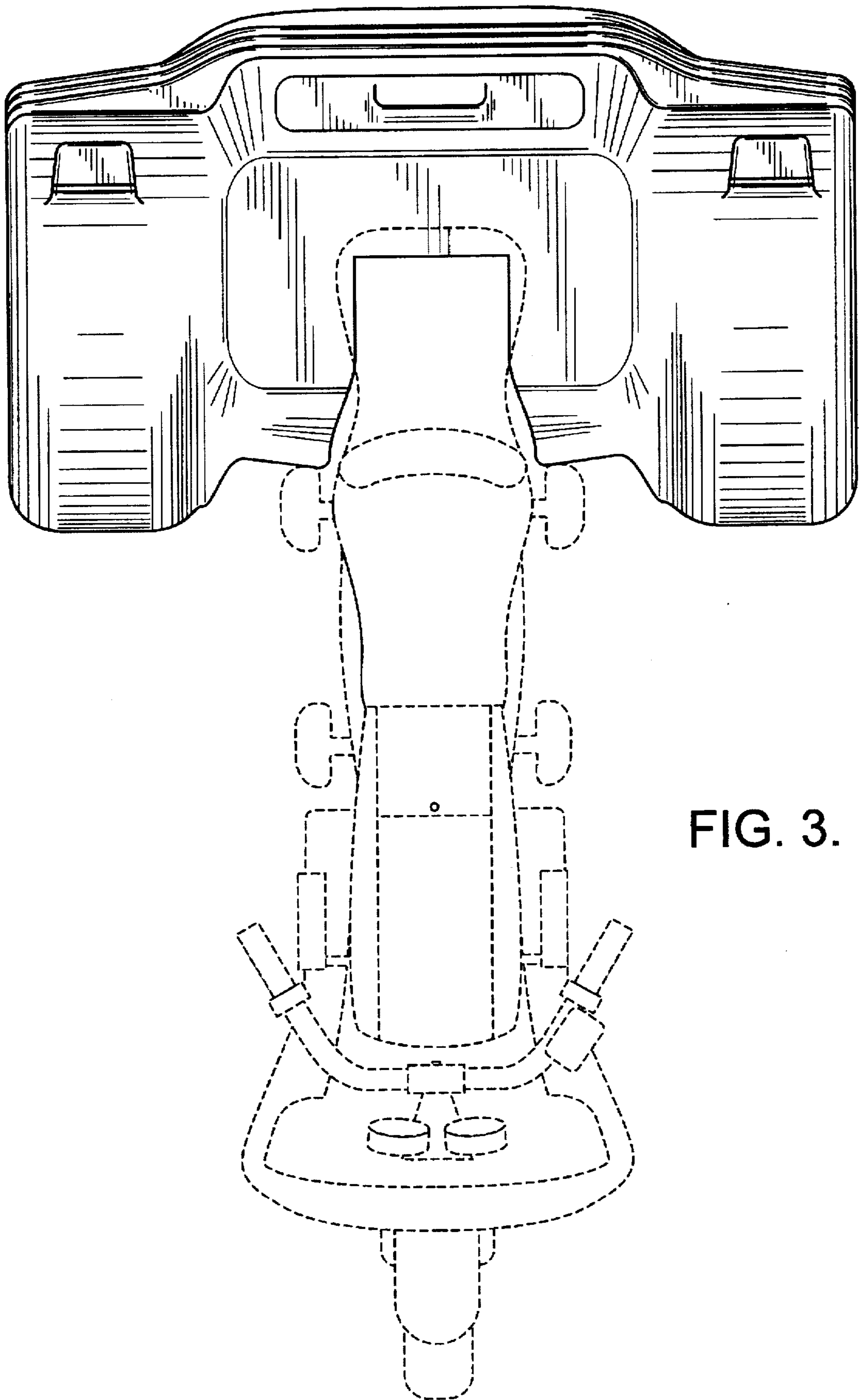


FIG. 3.

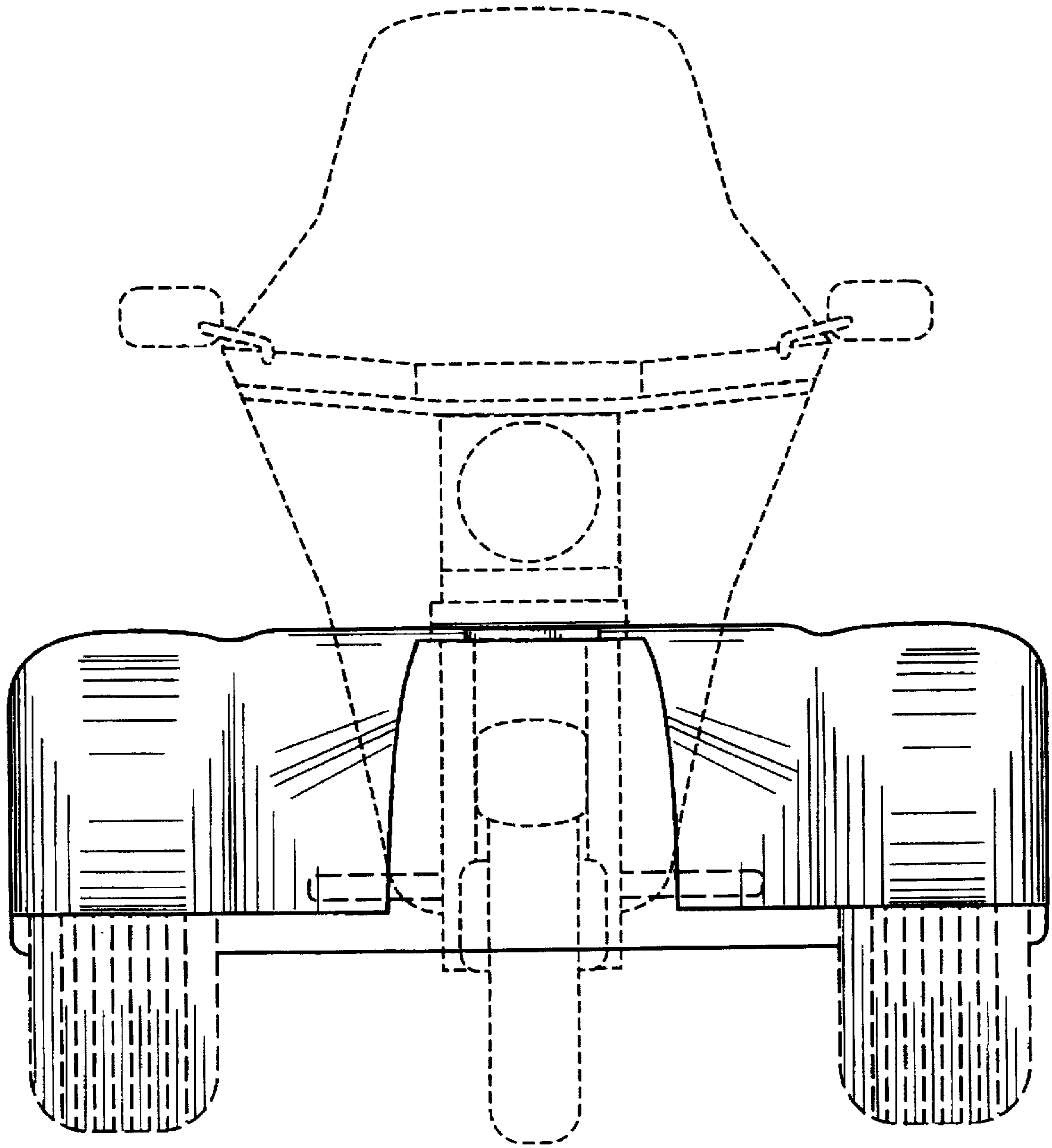


FIG. 4.

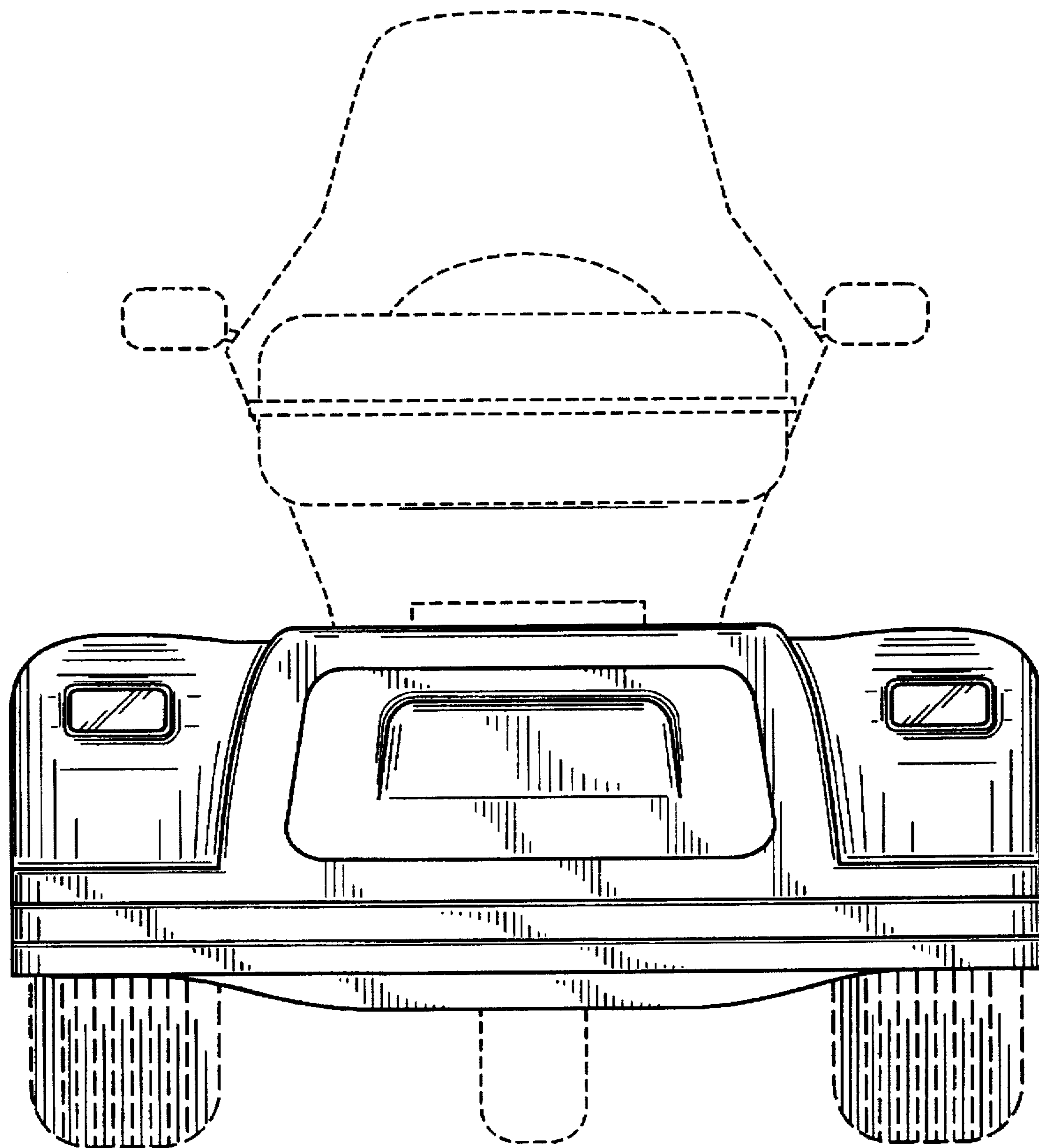


FIG. 5.