



US00D384625S

United States Patent [19]

Thorne et al.

[11] Patent Number: **Des. 384,625**

[45] Date of Patent: ****Oct. 7, 1997**

[54] **GRILLE GUARD**

[75] Inventors: **Nicholas Thorne**, Simi Valley; **Marcus Meakin**, Los Angeles, both of Calif.

[73] Assignee: **Manik Motors, Inc.**, Los Angeles, Calif.

[**] Term: **14 Years**

[21] Appl. No.: **56,655**

[22] Filed: **Jul. 5, 1996**

[51] LOC (6) Cl. **12-06**

[52] U.S. Cl. **D12/171**

[58] Field of Search D12/171; 293/102, 293/103, 115, 120, 121, 144

[56] **References Cited**

U.S. PATENT DOCUMENTS

D. 300,420 3/1989 Trinnaman D12/171

D. 333,457	2/1993	La Foe et al.	D12/171
D. 361,316	8/1995	Orth, Sr. et al.	D12/171
4,671,552	6/1987	Anderson	293/144
5,215,343	6/1993	Fortune	293/121
5,277,465	1/1994	Weis	293/144

Primary Examiner—Melody N. Brown

[57] **CLAIM**

The ornamental design for a grille guard, as shown and described.

DESCRIPTION

FIG. 1 is a perspective showing our new design; FIG. 2 is a front view of the design; FIG. 3 is top view; FIG. 4 is a rear view; FIG. 5 is a bottom view; and, FIG. 6 is a side view.

1 Claim, 2 Drawing Sheets

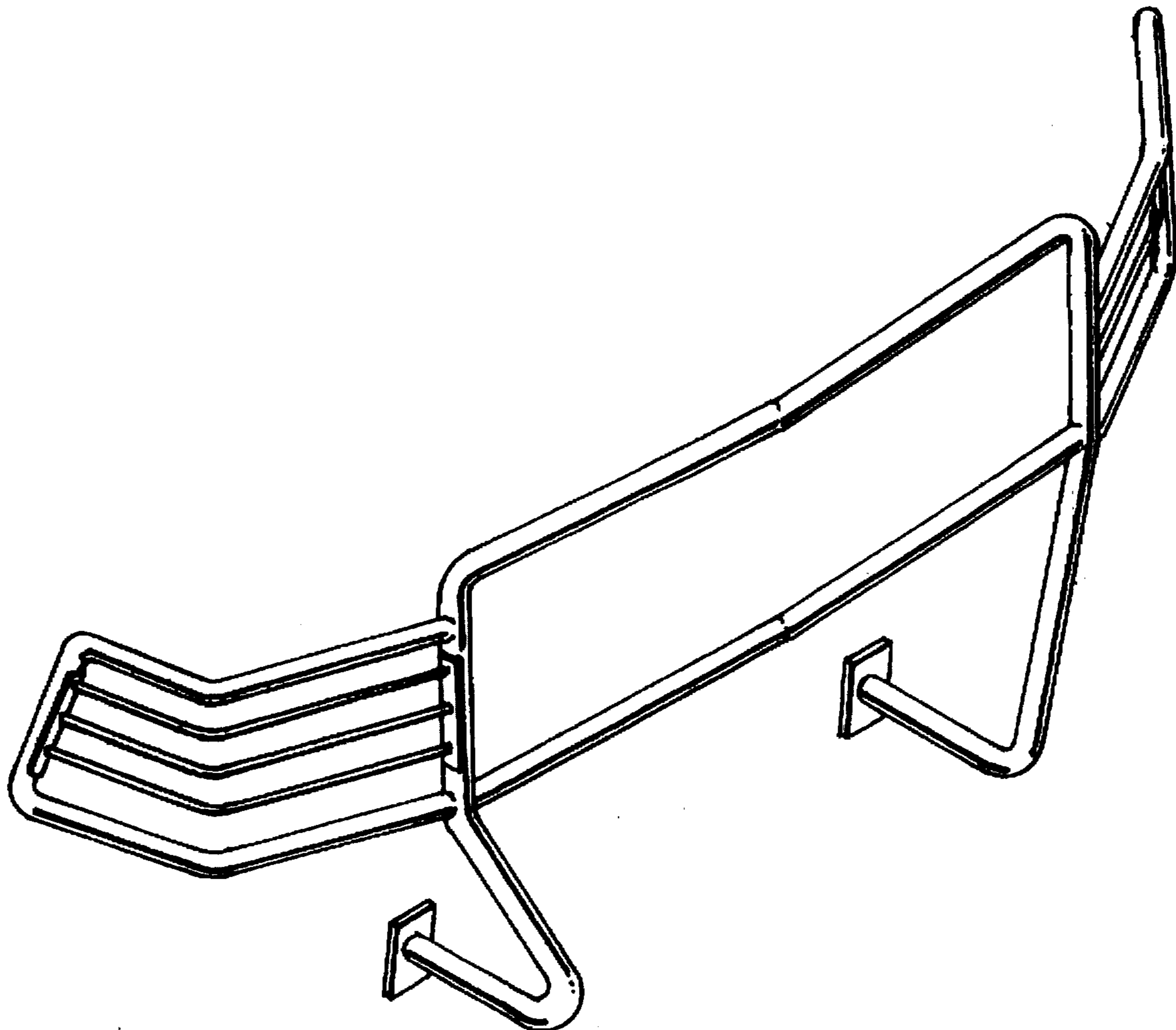


FIG. 1

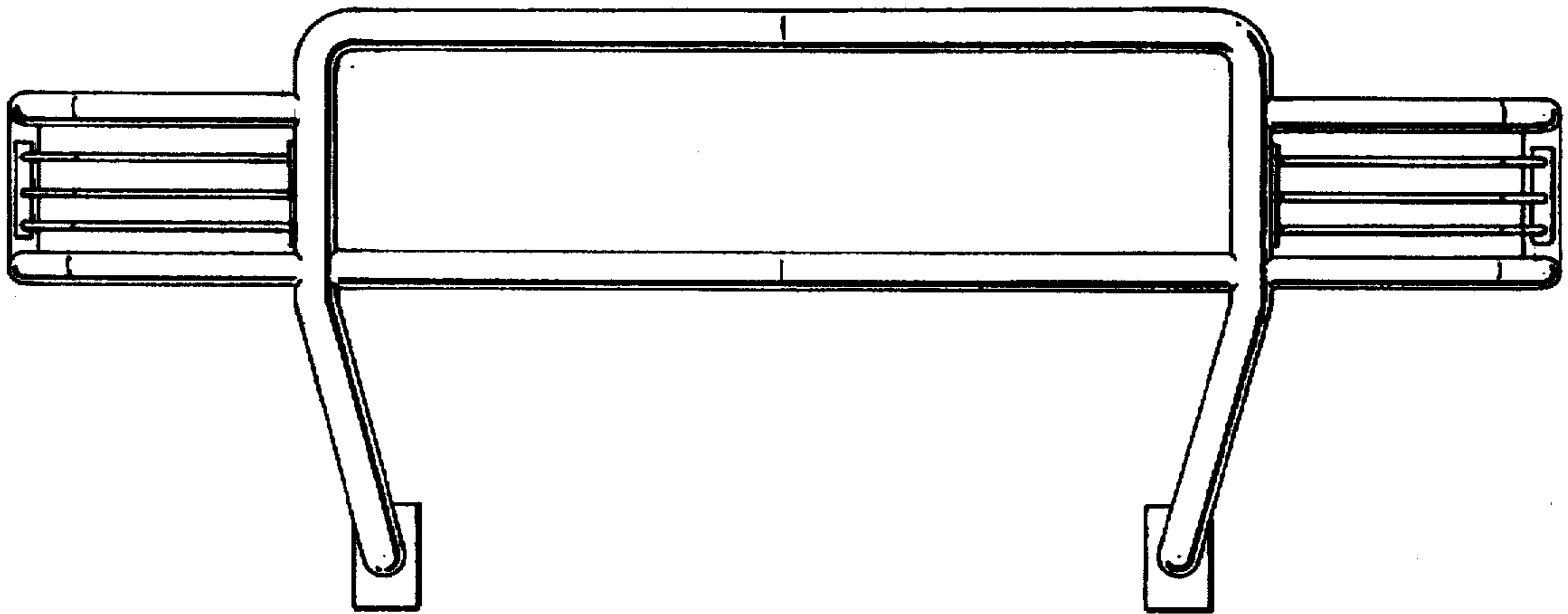
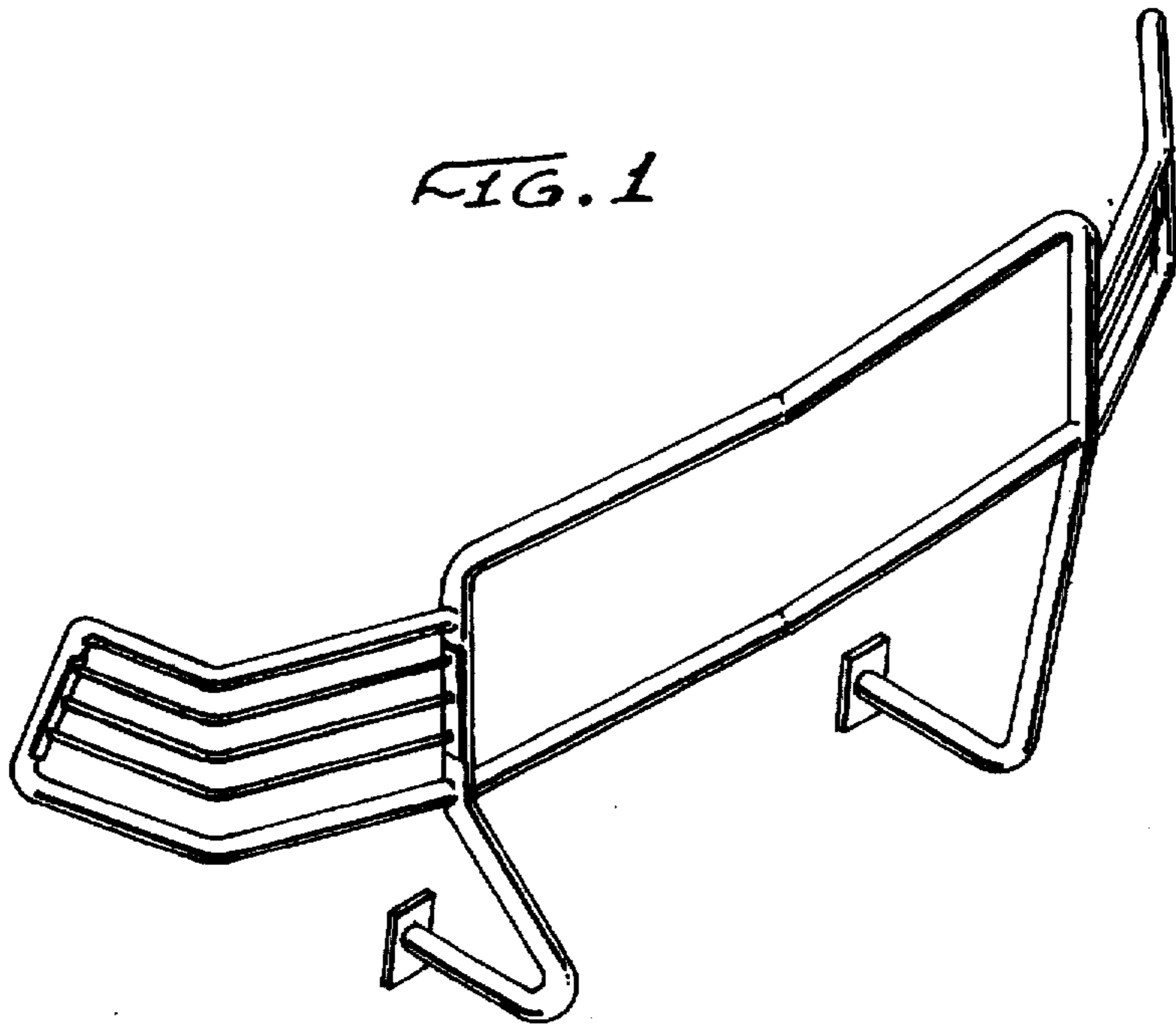


FIG. 2

FIG. 3

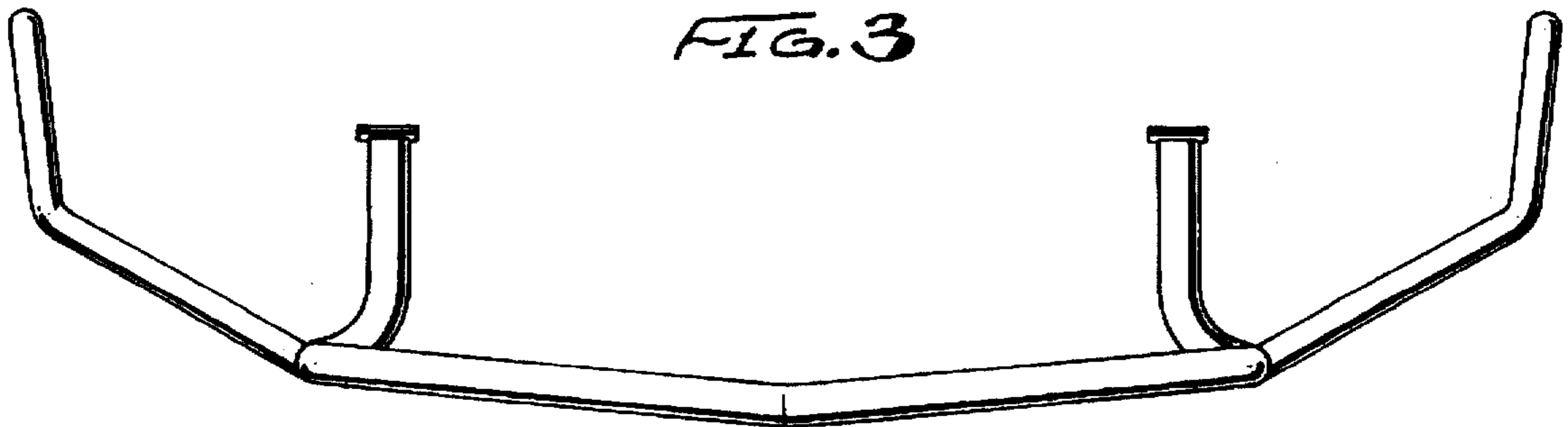


FIG. 4

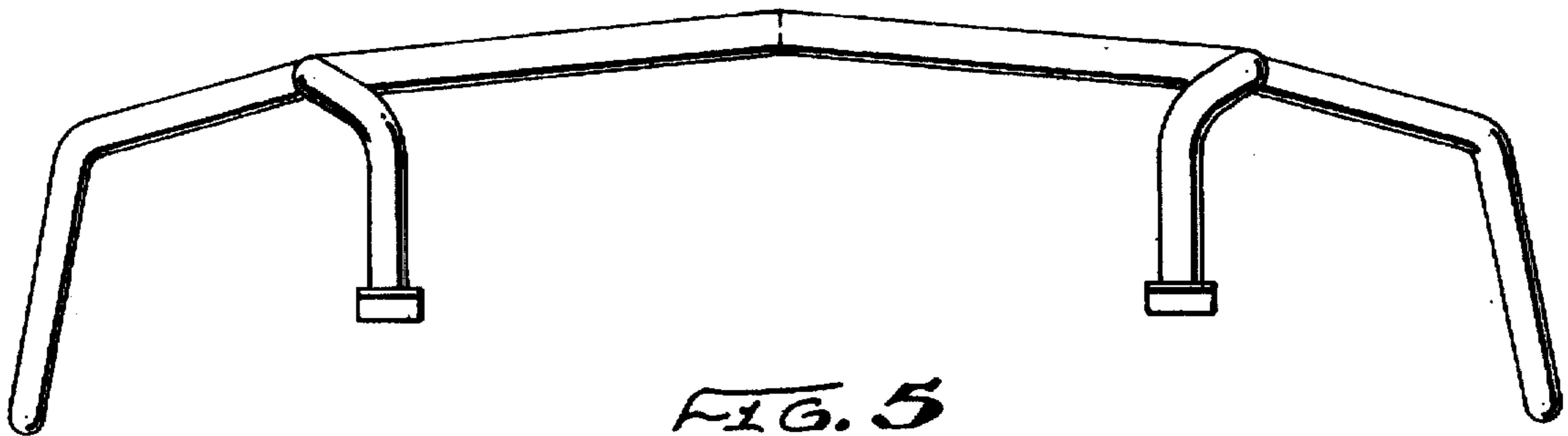
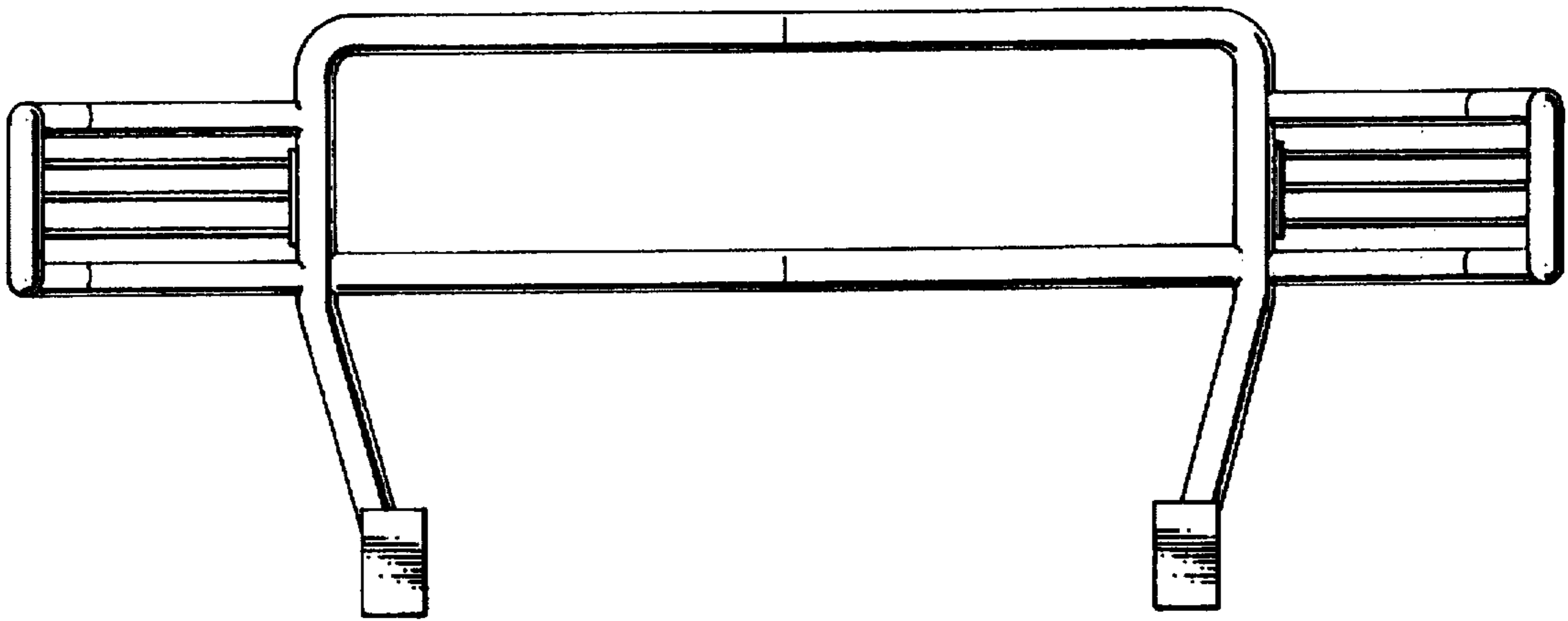


FIG. 5

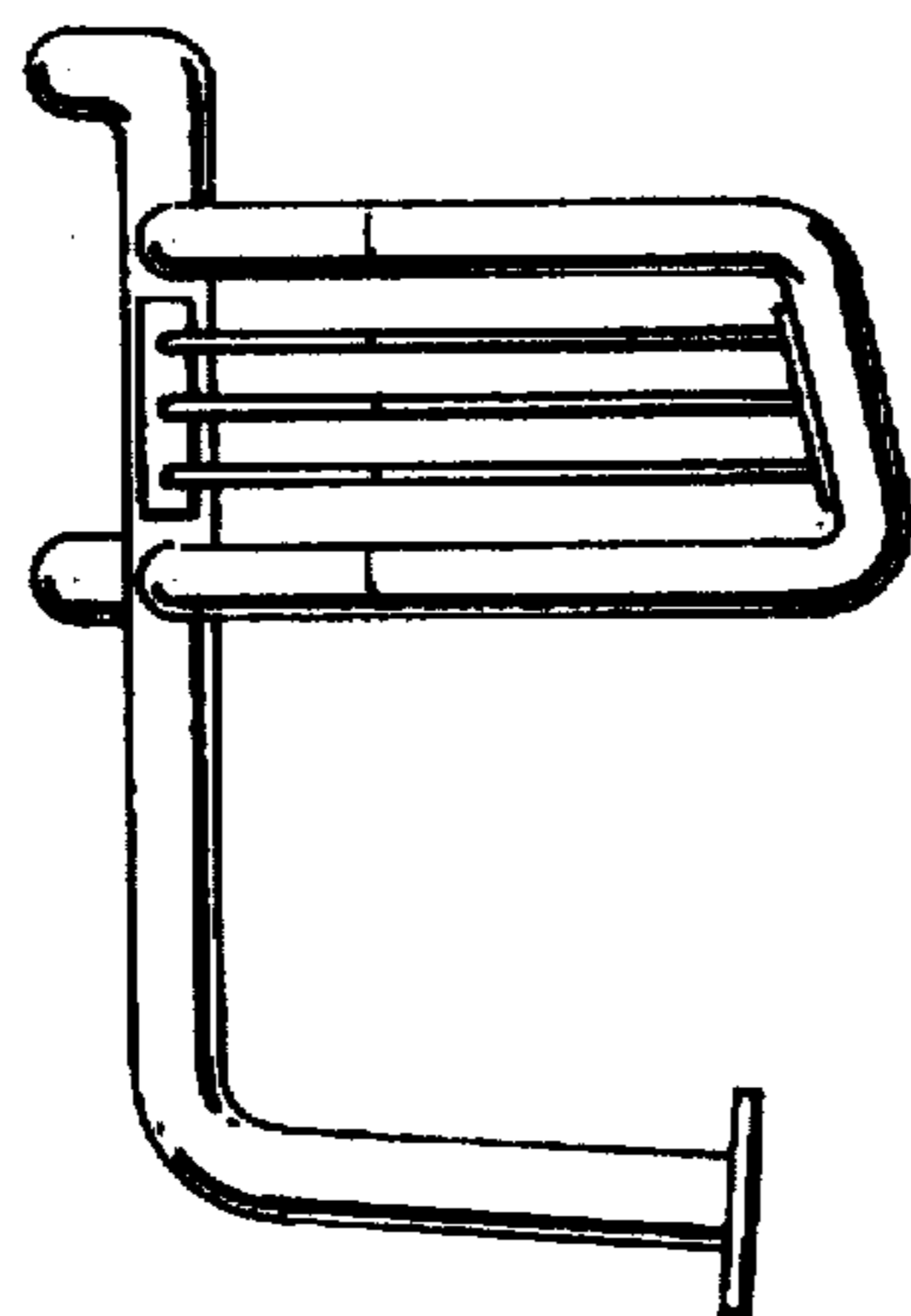


FIG. 6