



US00D384624S

**United States Patent** [19]  
**Kincart**

[11] **Patent Number:** **Des. 384,624**  
[45] **Date of Patent:** **\*\*Oct. 7, 1997**

[54] **VEHICLE BRUSHGUARD**  
[76] **Inventor:** **Mark S. Kincart**, 19511 N. 53rd Dr.,  
Glendale, Ariz. 85308  
[\*\*] **Term:** **14 Years**  
[21] **Appl. No.:** **49,305**  
[22] **Filed:** **Jan. 22, 1996**  
[51] **LOC (6) Cl.** ..... **12-16**  
[52] **U.S. Cl.** ..... **D12/171**  
[58] **Field of Search** ..... **D12/167, 172;**  
293/108, 115, 121, 130, 139, 140, 142,  
143, 144, 147, 148, 153

4,469,360 9/1984 Dury ..... 293/102  
5,215,343 6/1993 Fortune ..... 293/115 X

*Primary Examiner*—Louis S. Zarfes  
*Assistant Examiner*—Frank Martinez

[57] **CLAIM**

The ornamental design for a vehicle brushguard, as shown.

**DESCRIPTION**

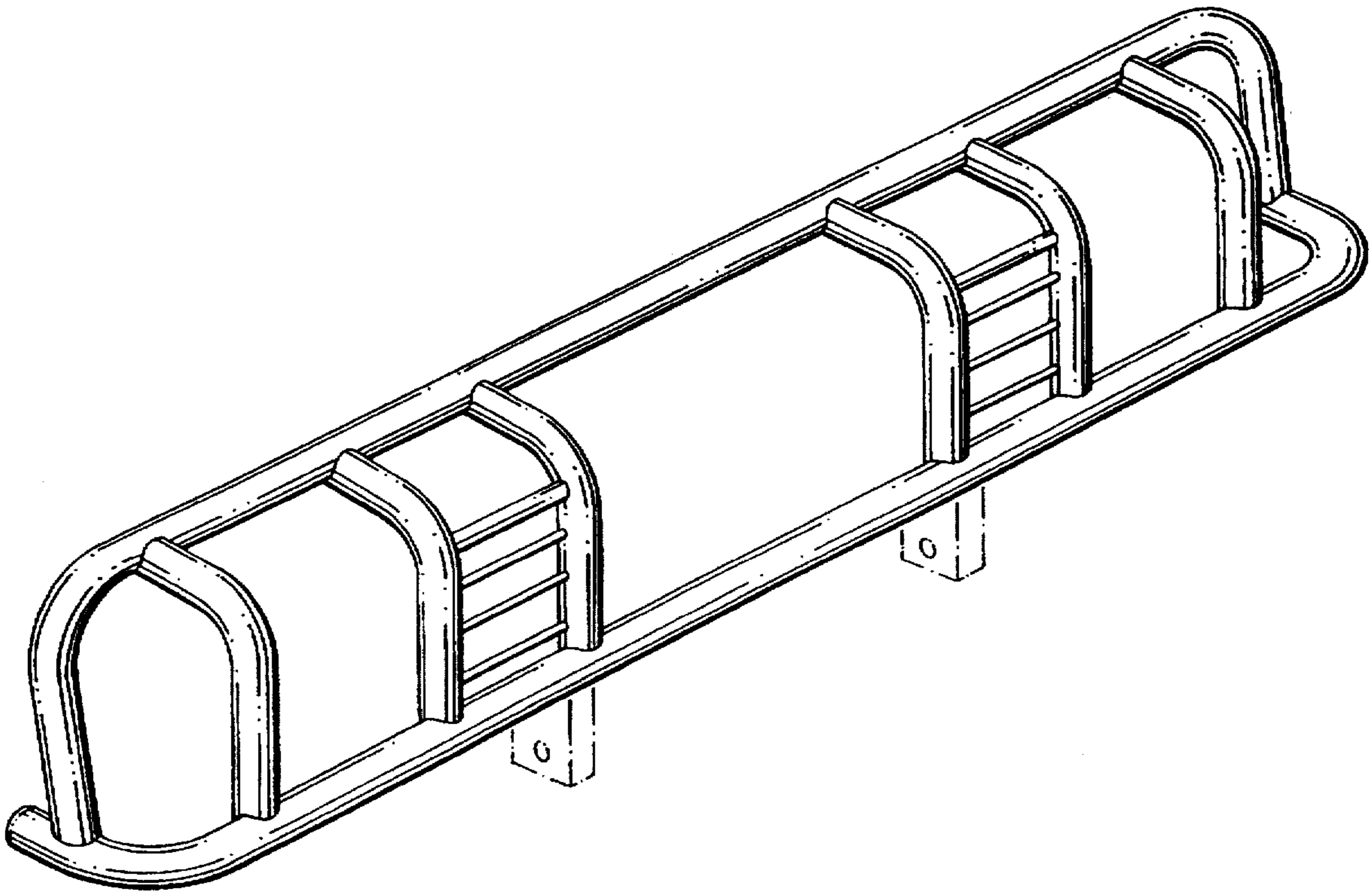
FIG. 1 is a perspective view of the vehicle brushguard showing my new design;  
FIG. 2 is a side elevational view thereof;  
FIG. 3 is a top plan view thereof;  
FIG. 4 is a front elevational view thereof;  
FIG. 5 is a bottom plan view thereof; and,  
FIG. 6 is a rear elevational view thereof.  
The broken line showing of mounting brackets are for illustrative purposes only and forms no part of the claimed design.

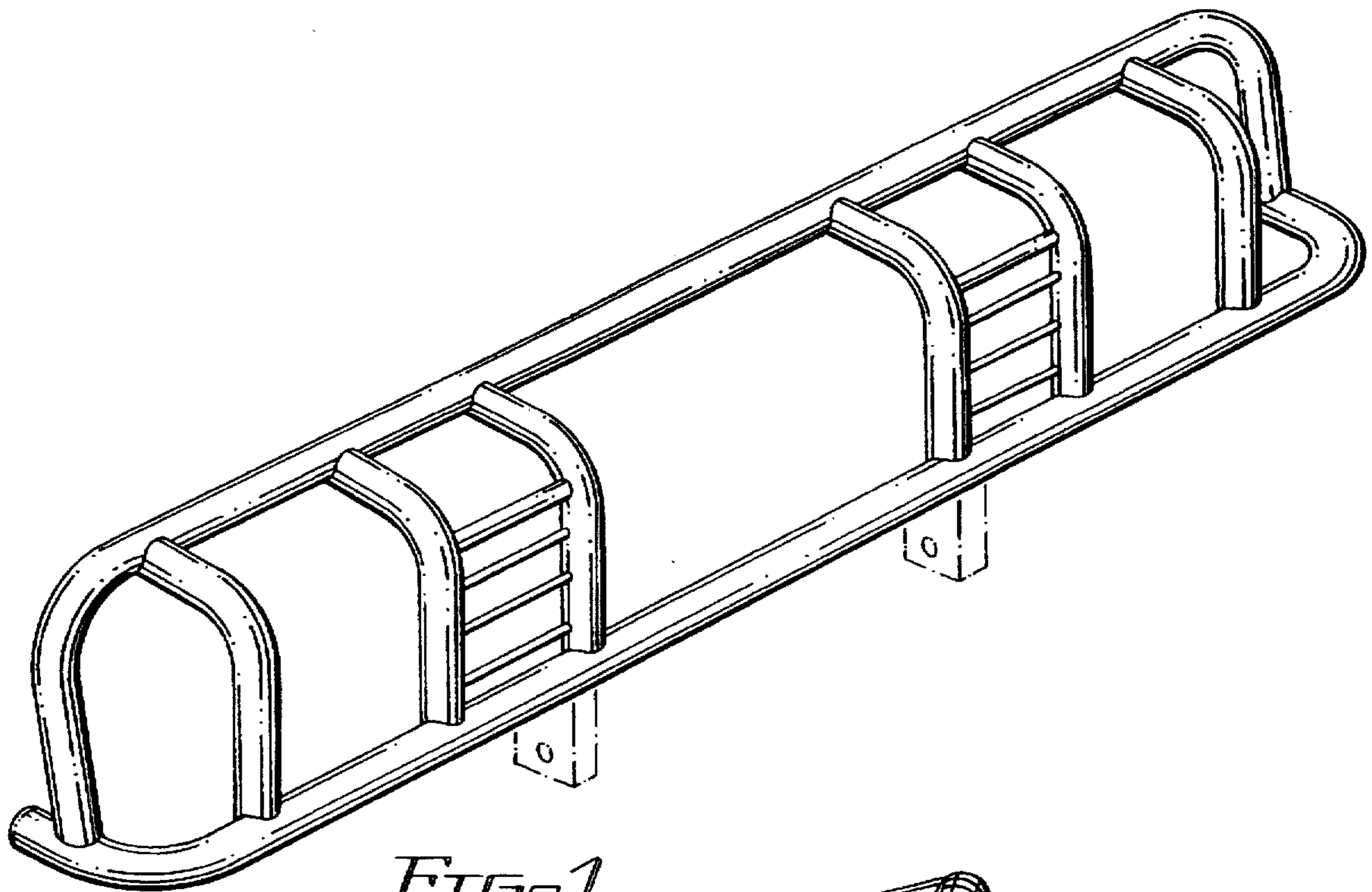
[56] **References Cited**

**U.S. PATENT DOCUMENTS**

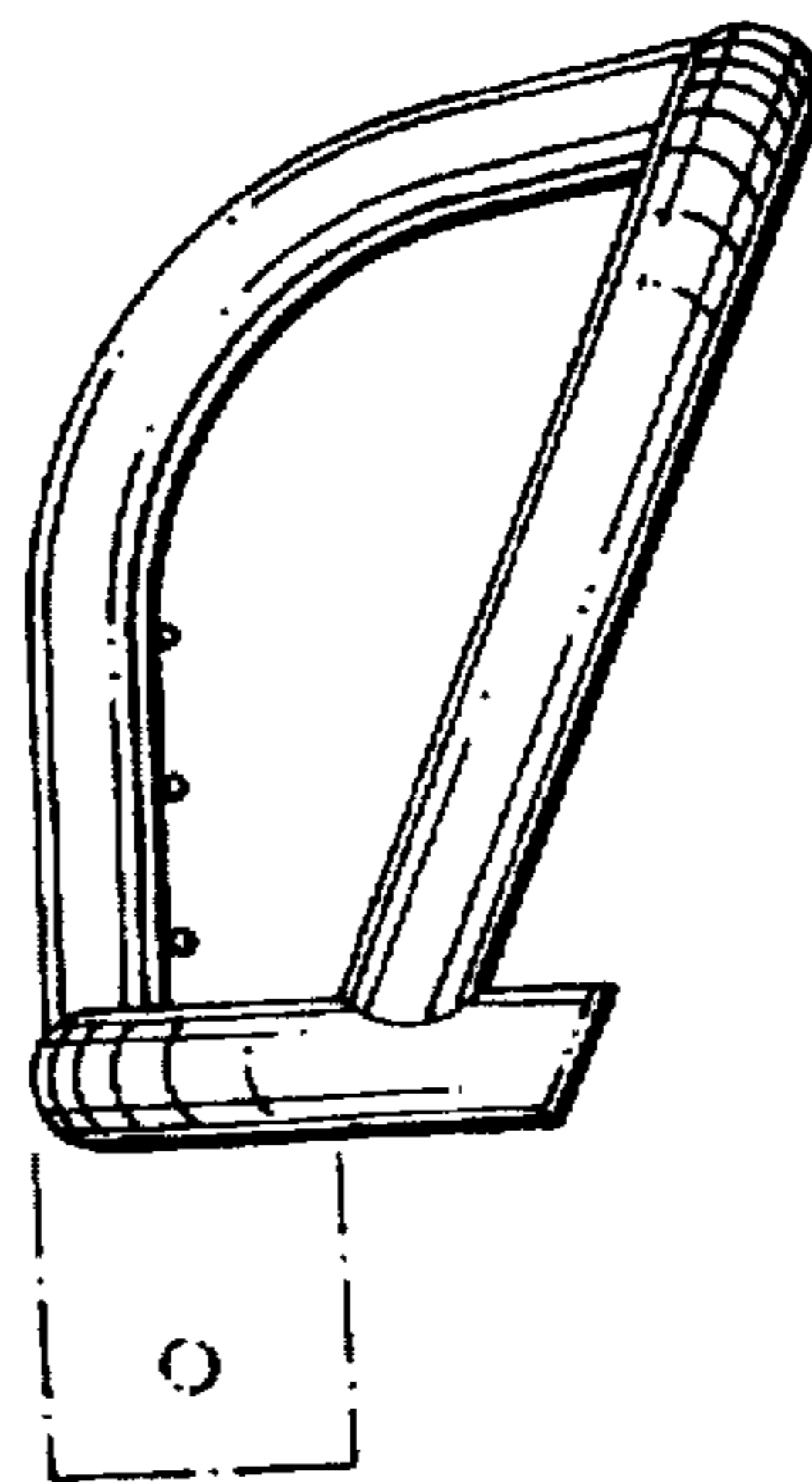
1,443,362 1/1923 Heinrich ..... 293/115 X  
4,264,093 4/1981 Long ..... 293/115  
4,322,106 3/1982 Nespor ..... 293/121

**1 Claim, 2 Drawing Sheets**

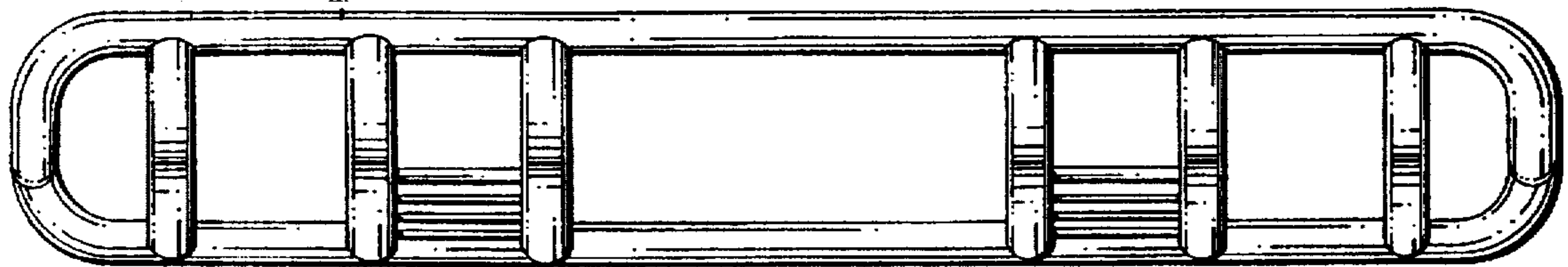




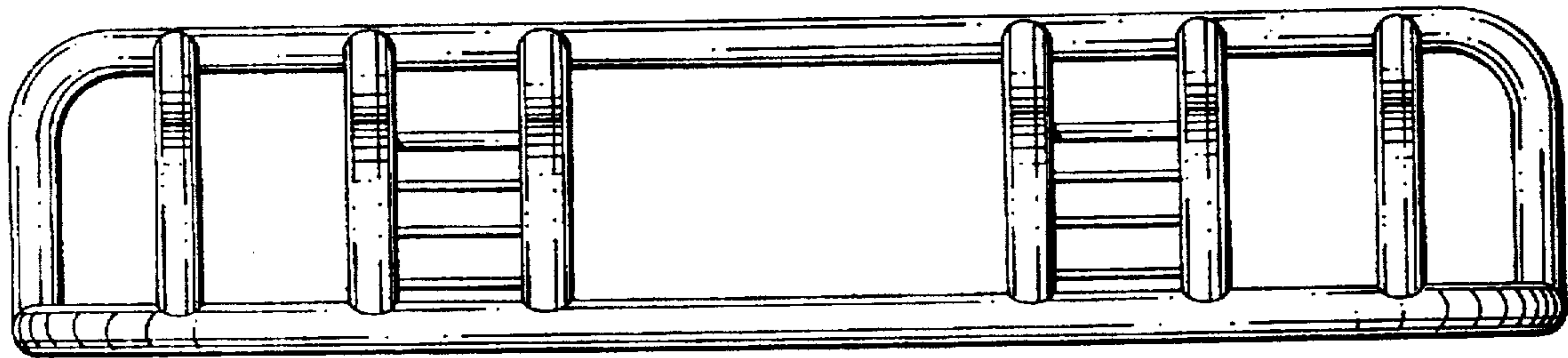
*FIG. 1*



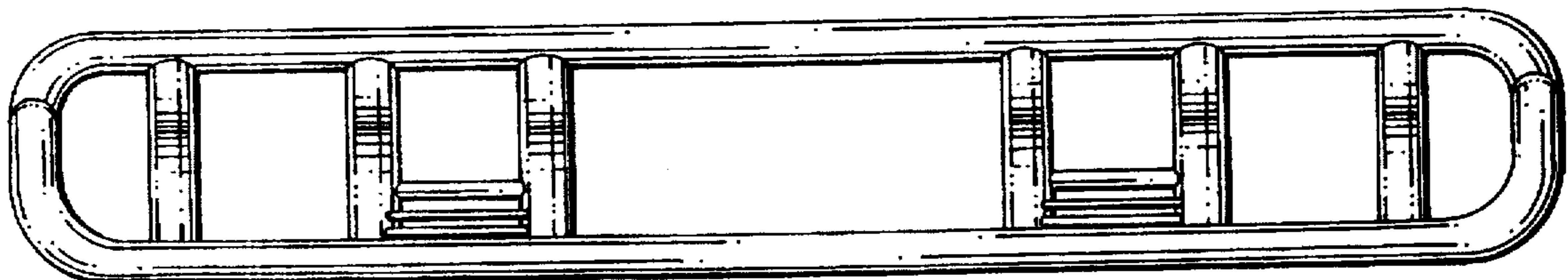
*FIG. 2*



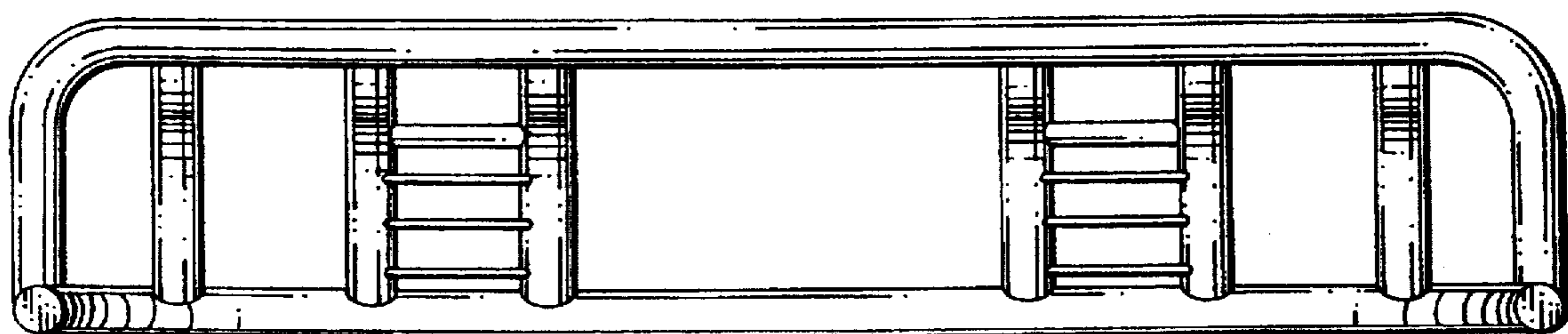
*FIG. 3*



*FIG. 4*



*FIG. 5*



*FIG. 6*