



US00D384620S

United States Patent [19]
Gillard et al.

[11] **Patent Number:** **Des. 384,620**
[45] **Date of Patent:** ****Oct. 7, 1997**

[54] **TIRE TREAD**

D. 349,080 7/1994 Loser D12/146
D. 354,027 1/1995 Grosskopf D12/146

[75] **Inventors:** **Jean-Michel Gillard, Mersch; Georges Gaston Feider, Bettborn, both of Luxembourg; Jean-Claude Alie, Bastogne, Belgium**

OTHER PUBLICATIONS

Sears Roadhandler Tire, Tread Design Guide, p. 61 Jan. 1995.
Goodyear Unisteel G362 Tire, Tread Design Guide, p. 139 Jan. 1995.

[73] **Assignee:** **The Goodyear Tire & Rubber Company, Akron, Ohio**

Primary Examiner—James Gandy
Assistant Examiner—Robert M. Spear
Attorney, Agent, or Firm—T. P. Lewandowski

[**] **Term:** **14 Years**

[21] **Appl. No.:** **55,700**

[57] **CLAIM**

[22] **Filed:** **Jun. 11, 1996**

The ornamental design for a tire tread, as shown and described.

[51] **LOC (6) Cl.** **12-15**

[52] **U.S. Cl.** **D12/147**

[58] **Field of Search** D12/136, 138-143, D12/145-151; 152/209 B, 209 D, 209 R

DESCRIPTION

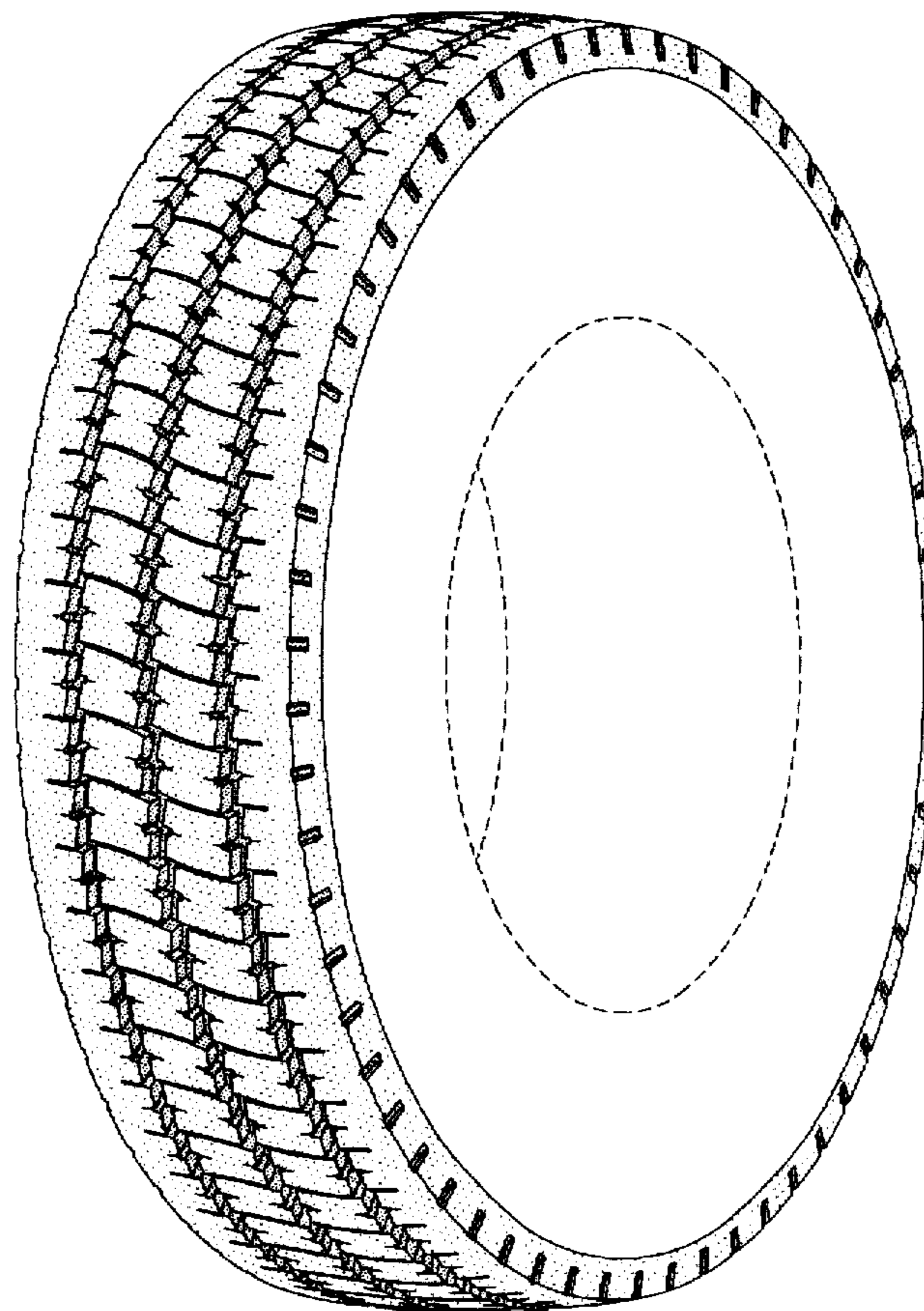
FIG. 1 is a perspective view of a tire tread, it being understood that the pattern is repeated uniformly throughout the circumference of the tread;
FIG. 2 is a front elevational view thereof;
FIG. 3 is a side elevational view thereof, the opposite side elevational view being a mirror image thereof; and,
FIG. 4 is an enlarged fragmentary front view thereof.
The broken line showing of the tire sidewall in the drawings is for illustrative purposes only and forms no part of the claimed design.

[56] **References Cited**

U.S. PATENT DOCUMENTS

D. 287,953	1/1987	Takeuchi	D12/146
D. 288,081	2/1987	Tsukagoshi et al.	D12/147
D. 304,918	12/1989	Hinrichsen	D12/146
D. 308,189	5/1990	Hinrichsen et al.	D12/147
D. 311,887	11/1990	Adam	D12/147
D. 314,363	2/1991	Adam	D12/147
D. 317,738	6/1991	Fukumoto	D12/143
D. 323,801	2/1992	Kajita	D12/147

1 Claim, 4 Drawing Sheets



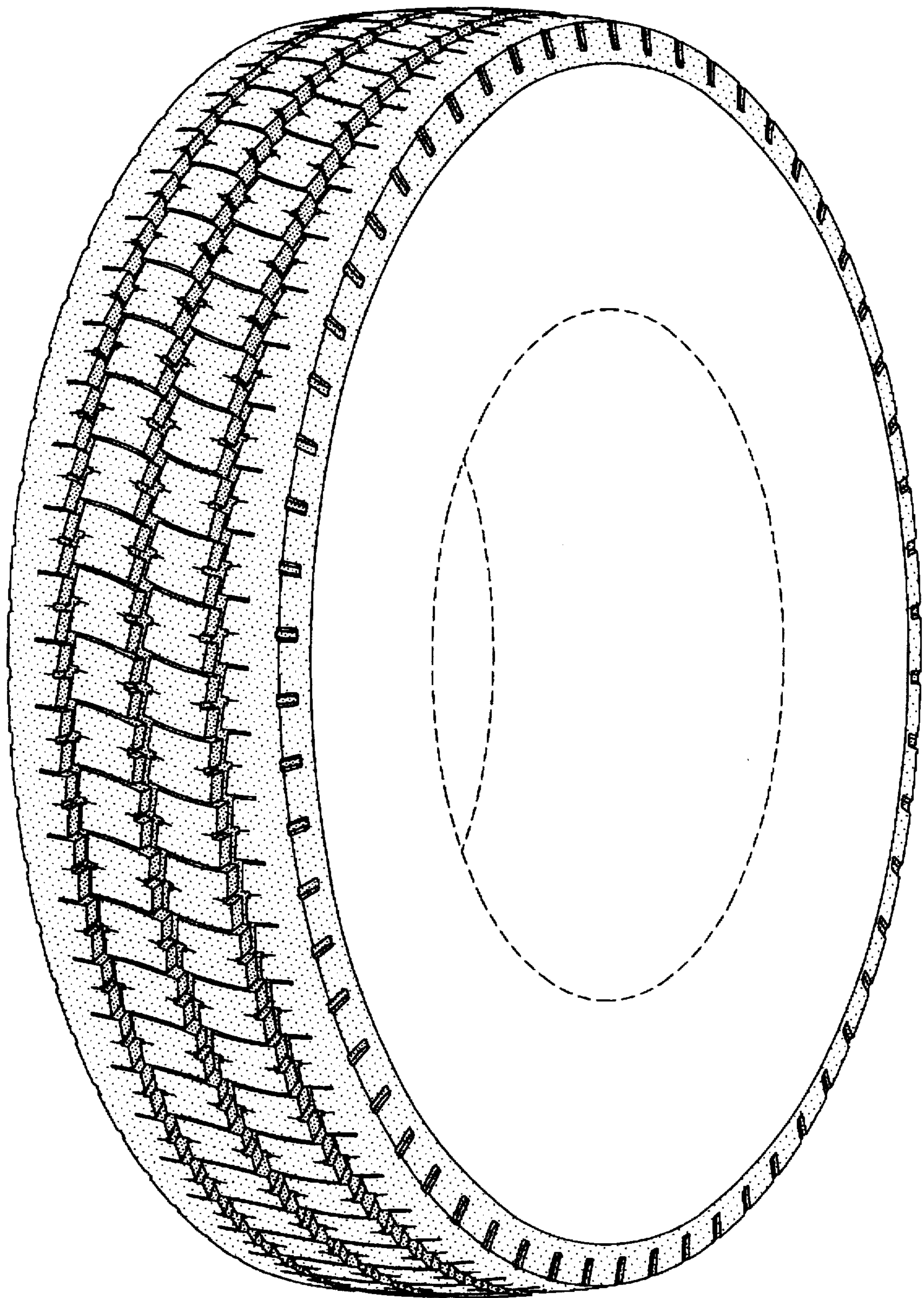


FIG-1

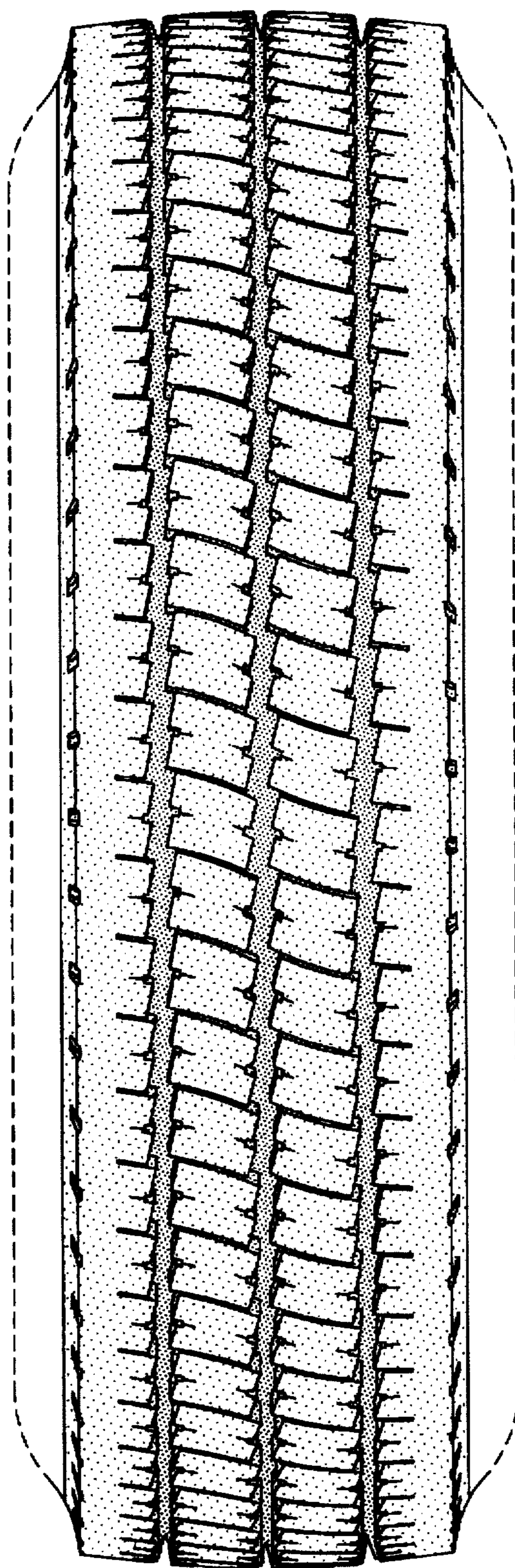


FIG-2

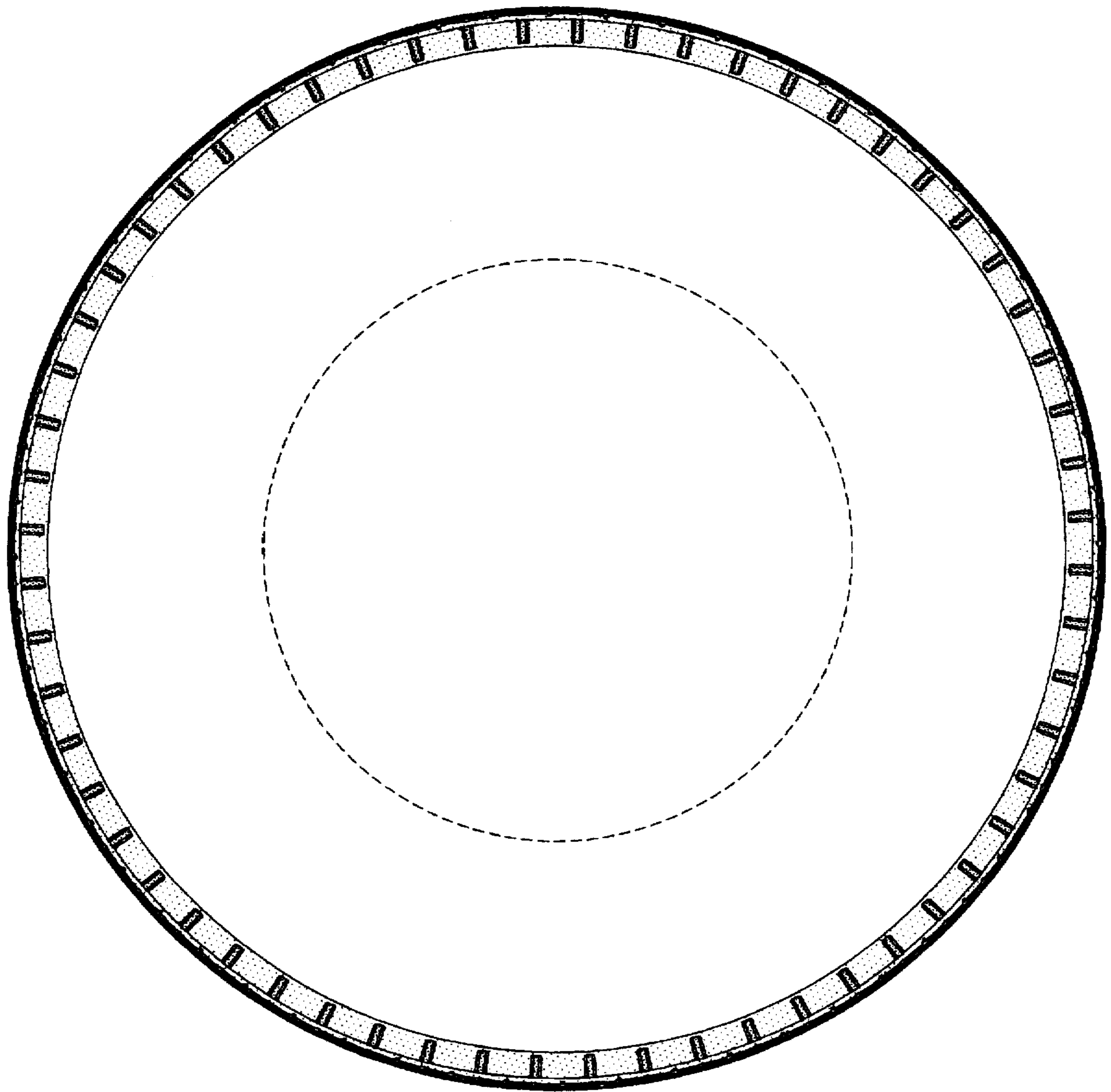


FIG-3

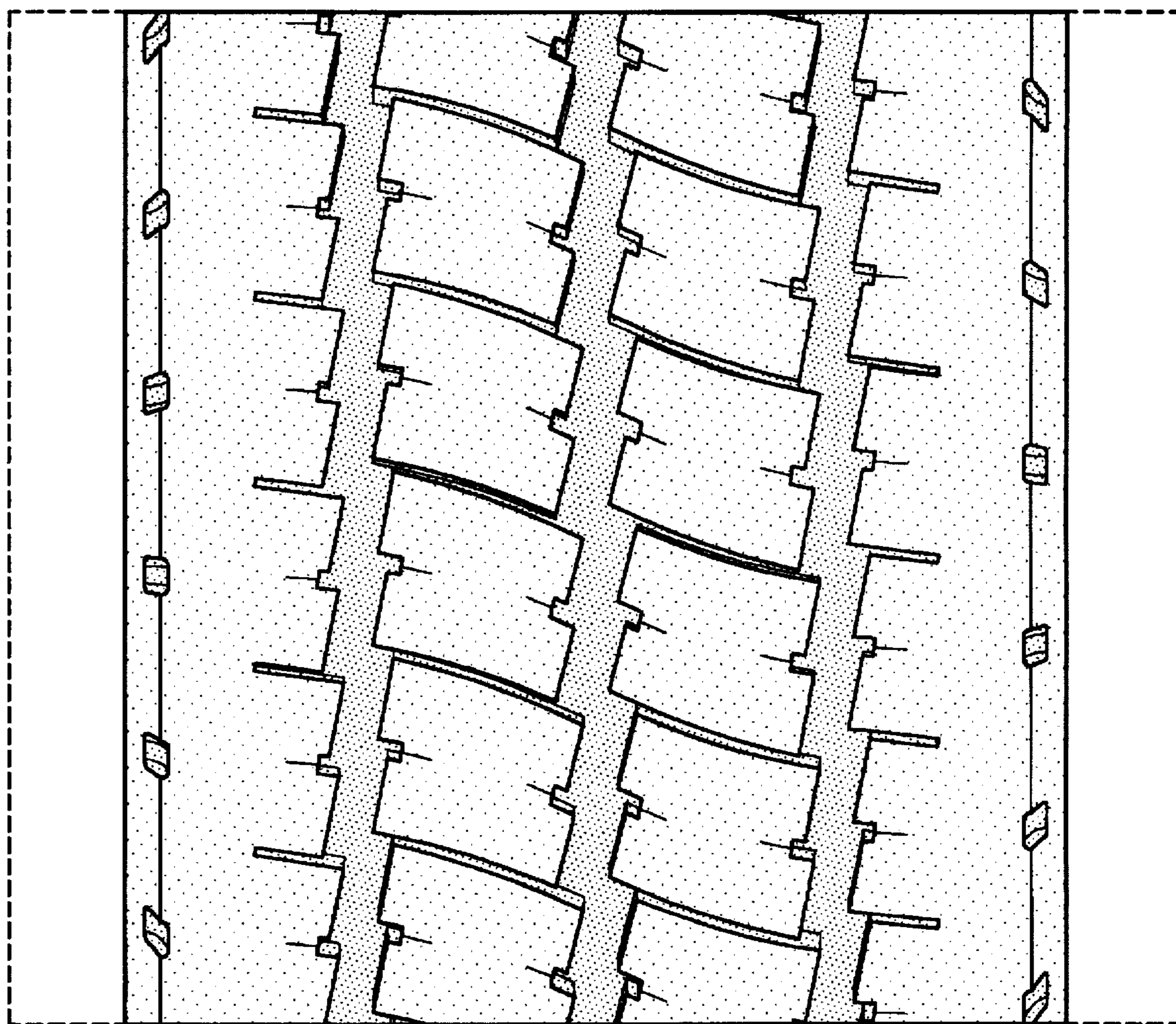


FIG-4