



US00D384618S

United States Patent [19]

Guspodin et al.

[11] Patent Number: **Des. 384,618**

[45] Date of Patent: ****Oct. 7, 1997**

[54] **TIRE TREAD**

5,365,987 11/1994 Ishii et al. 152/209 R
5,407,005 4/1995 Consolacion et al. 152/209 R

[75] Inventors: **James G. Guspodin; John J. Regallis,**
both of Akron; **Leonard F. Blankenship, Sterling; Elizabeth M. Beutler,** Munroe Falls, all of Ohio

OTHER PUBLICATIONS

Academy Champion Sport GTS Tire, Tread Design Guide, p. 8 Jan. 1995.

[73] Assignee: **Bridgestone/Firestone, Inc.,** Akron, Ohio

Primary Examiner—James Gandy
Assistant Examiner—Robert M. Spear
Attorney, Agent, or Firm—Carmen S. Santa Maria

[**] Term: **14 Years**

[57] **CLAIM**

[21] Appl. No.: **53,698**

The ornamental design for a tire tread, as shown and described.

[22] Filed: **Apr. 26, 1996**

DESCRIPTION

[51] **LOC (6) Cl.** **12-15**

[52] **U.S. Cl.** **D12/147**

[58] **Field of Search** D12/136, 138,
D12/141-143, 145-151; 152/209 A, 209 D,
209 R

FIG. 1 is a right side perspective view of a tire tread showing our new design, it being understood that the tread pattern is repeated throughout the circumference of the tire, the opposite side being substantially the same as that shown; FIG. 2 is a front elevational view thereof; FIG. 3 is a right side elevational view of the right side thereof, the opposite side being a mirror image thereof; and, FIG. 4 is an enlarged fragmentary front elevational view thereof.

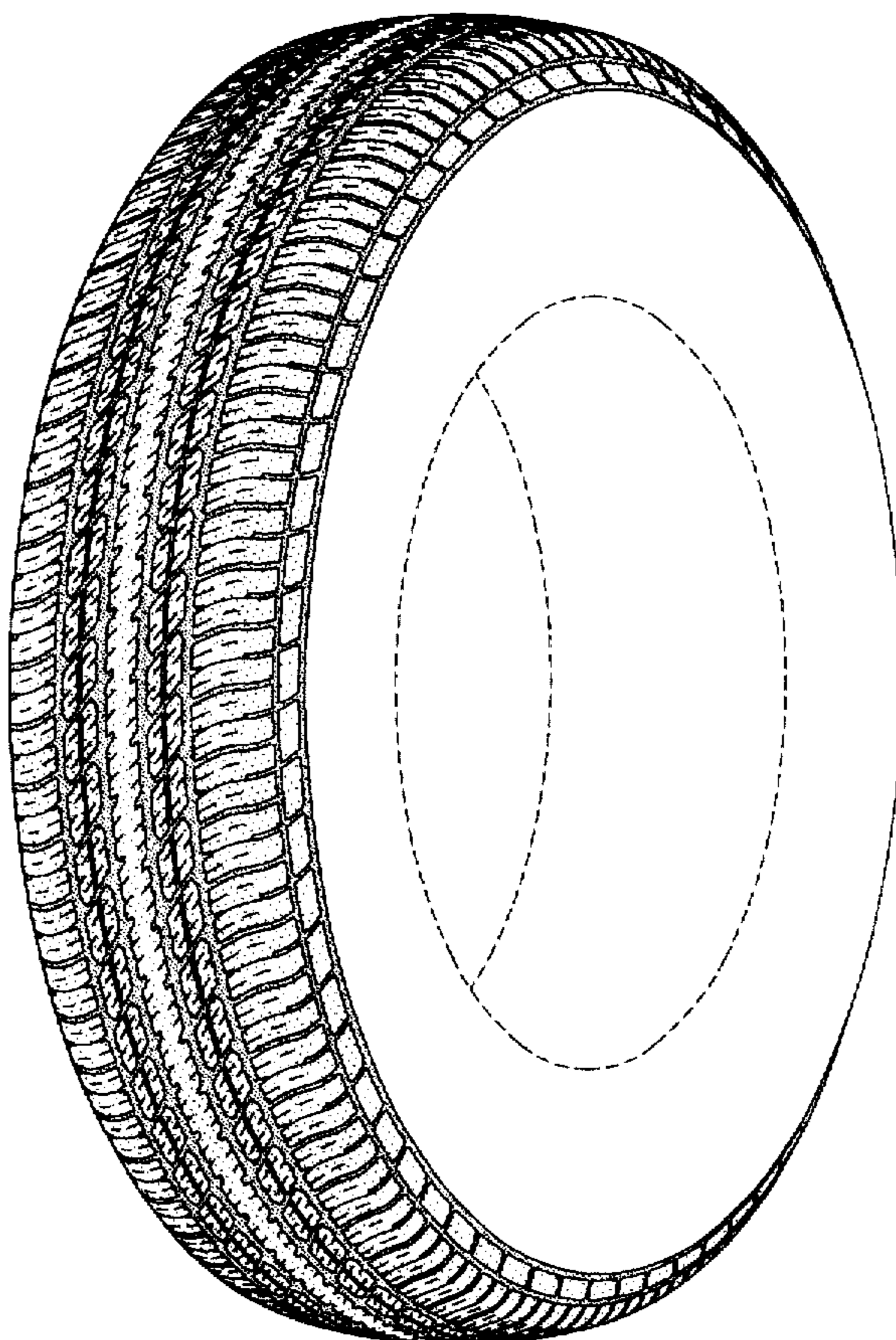
[56] **References Cited**

U.S. PATENT DOCUMENTS

D. 301,855	6/1989	Ono	D12/147
D. 315,127	3/1991	White et al.	D12/147
D. 338,179	8/1993	Miller et al.	D12/147
D. 349,672	8/1994	Seimiya et al.	D12/147
D. 349,673	8/1994	Seimiya et al.	D12/147
D. 364,594	11/1995	Krupa et al.	D12/147
5,269,357	12/1993	Killian	152/209 R

The broken line showing of a tire sidewall and inner bead is for illustrative purposes only and forms no part of the claimed design.

1 Claim, 4 Drawing Sheets



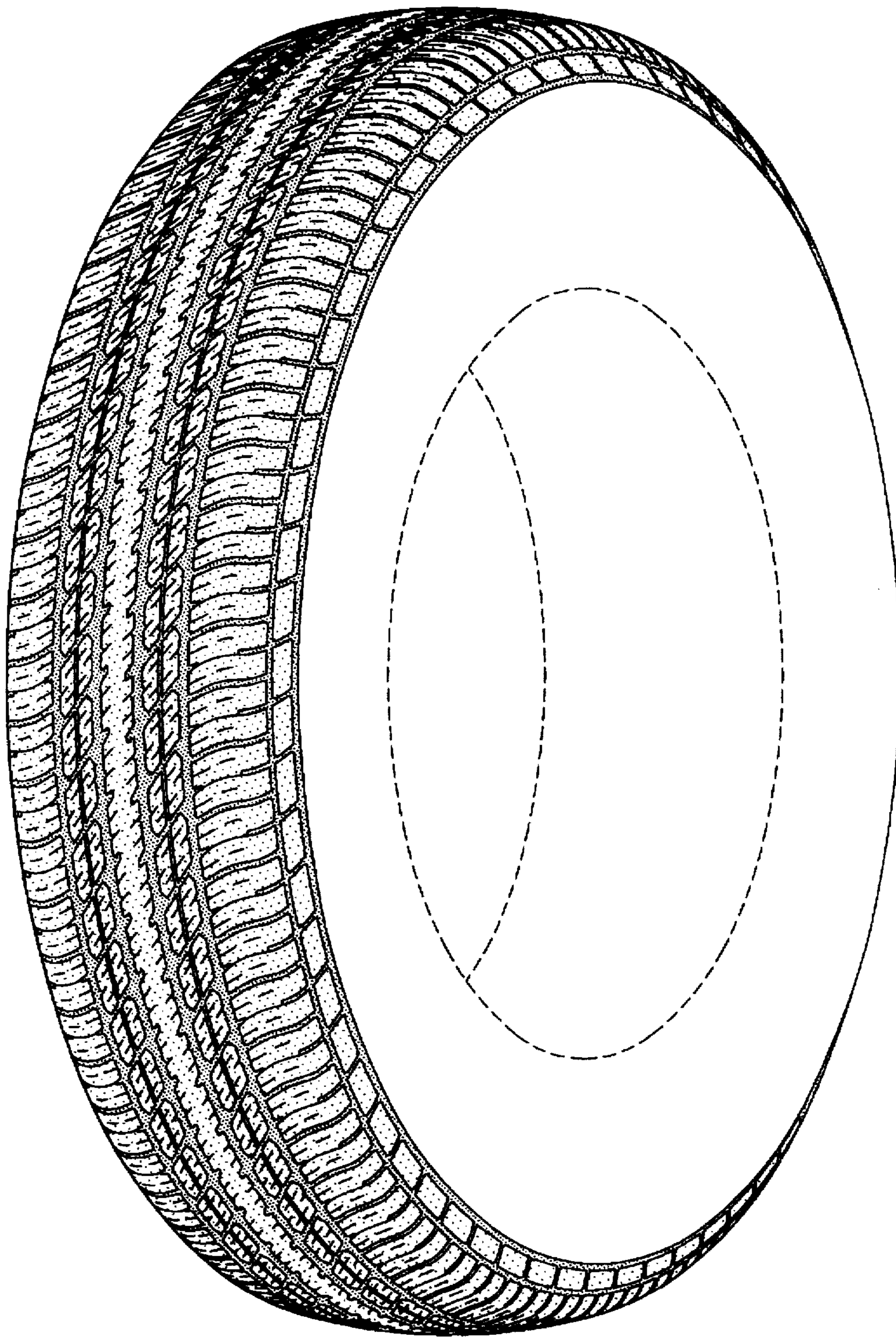


FIG-1

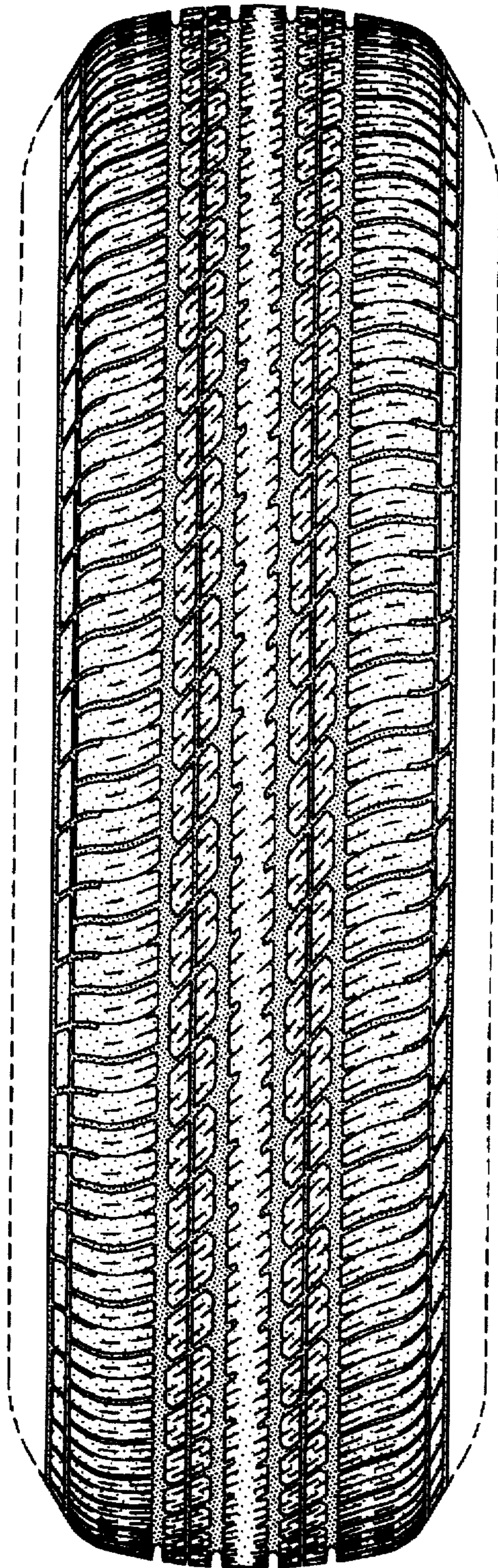


FIG-2

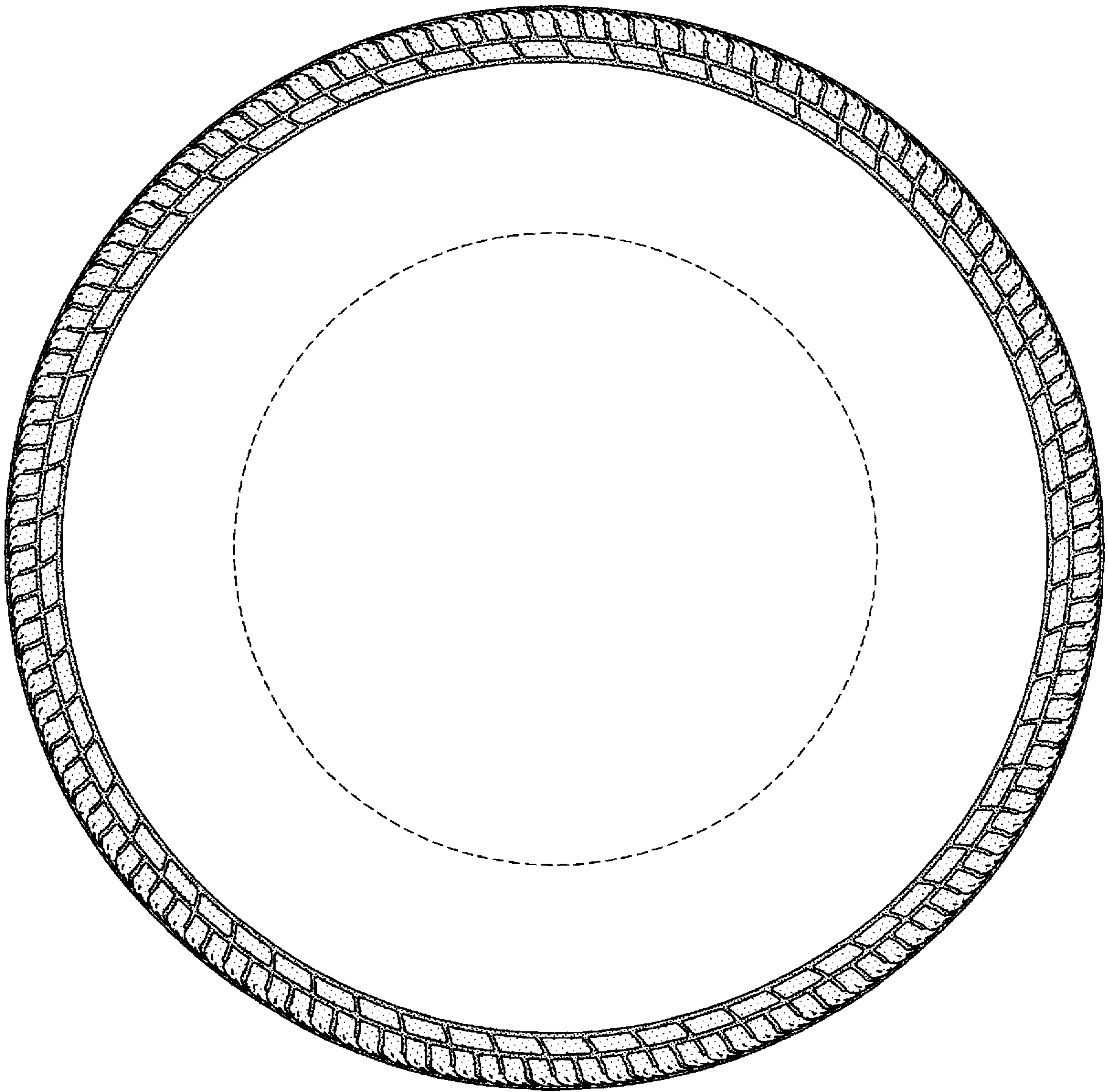


FIG-3

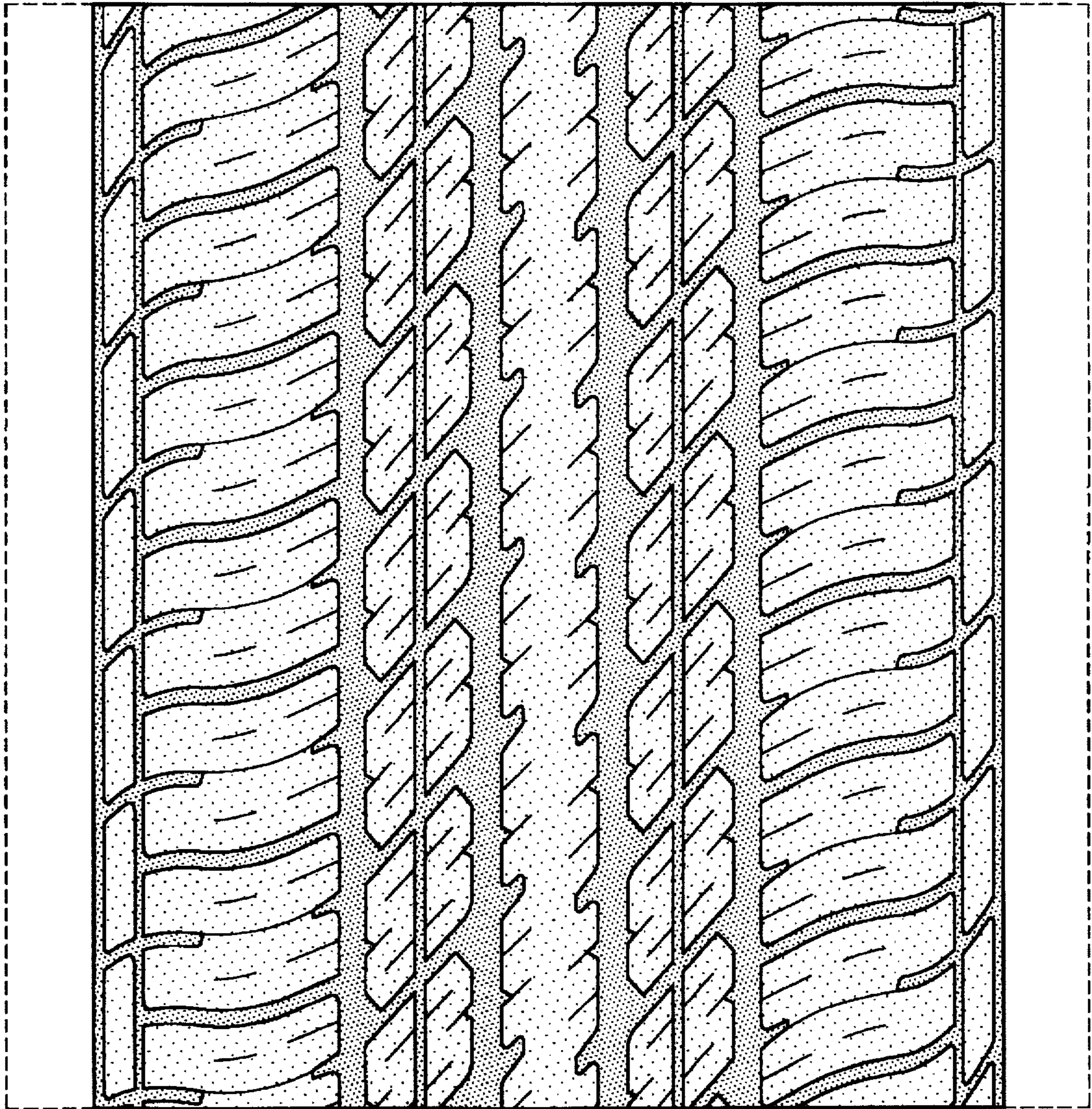


FIG-4