



US00D384612S

United States Patent [19]

Young et al.

[11] Patent Number: **Des. 384,612**

[45] Date of Patent: ****Oct. 7, 1997**

[54] TIRE TREAD

[75] Inventors: **Deborah Lynn Young**, Copley; **Jeffrey Leon Severt**, Broadview Heights, both of Ohio

[73] Assignee: **The Goodyear Tire & Rubber Company**, Akron, Ohio

[**] Term: **14 Years**

[21] Appl. No.: **58,223**

[22] Filed: **Aug. 9, 1996**

[51] LOC (6) Cl. **12-15**

[52] U.S. Cl. **D12/146**

[58] Field of Search D12/136, 138, D12/140-151; 152/209 D, 209 R

[56] References Cited

U.S. PATENT DOCUMENTS

D. 260,142	8/1981	Takigawa et al.	D12/146
D. 287,236	12/1986	Yonekura et al.	D12/140
D. 287,349	12/1986	Yonekura et al.	D12/140
D. 293,664	1/1988	Hayakawa et al.	D12/146
D. 304,919	12/1989	Hinrichsen	D12/147
D. 334,362	3/1993	Stone et al.	D12/147
D. 341,345	11/1993	Killian	D12/146
D. 366,233	1/1996	Lassan et al.	D12/147

OTHER PUBLICATIONS

Star Centurion Touring GT Tire, Tread Design Guide, p. 58 Jan. 1994.

Centennial Interceptor Touring Tire, Tread Design Guide, p. 15 Jan. 1995.

Remington XT120 Touring Tire, Tread Design Guide, p. 58 Jan. 1995.

Primary Examiner—James Gandy

Assistant Examiner—Robert Spear

Attorney, Agent, or Firm—T. P. Lewandowski

[57] CLAIM

The ornamental design for a tire tread, as shown and described.

DESCRIPTION

FIG. 1 is a perspective view of a tire tread, it being understood that the pattern is repeated uniformly throughout the circumference of the tread;

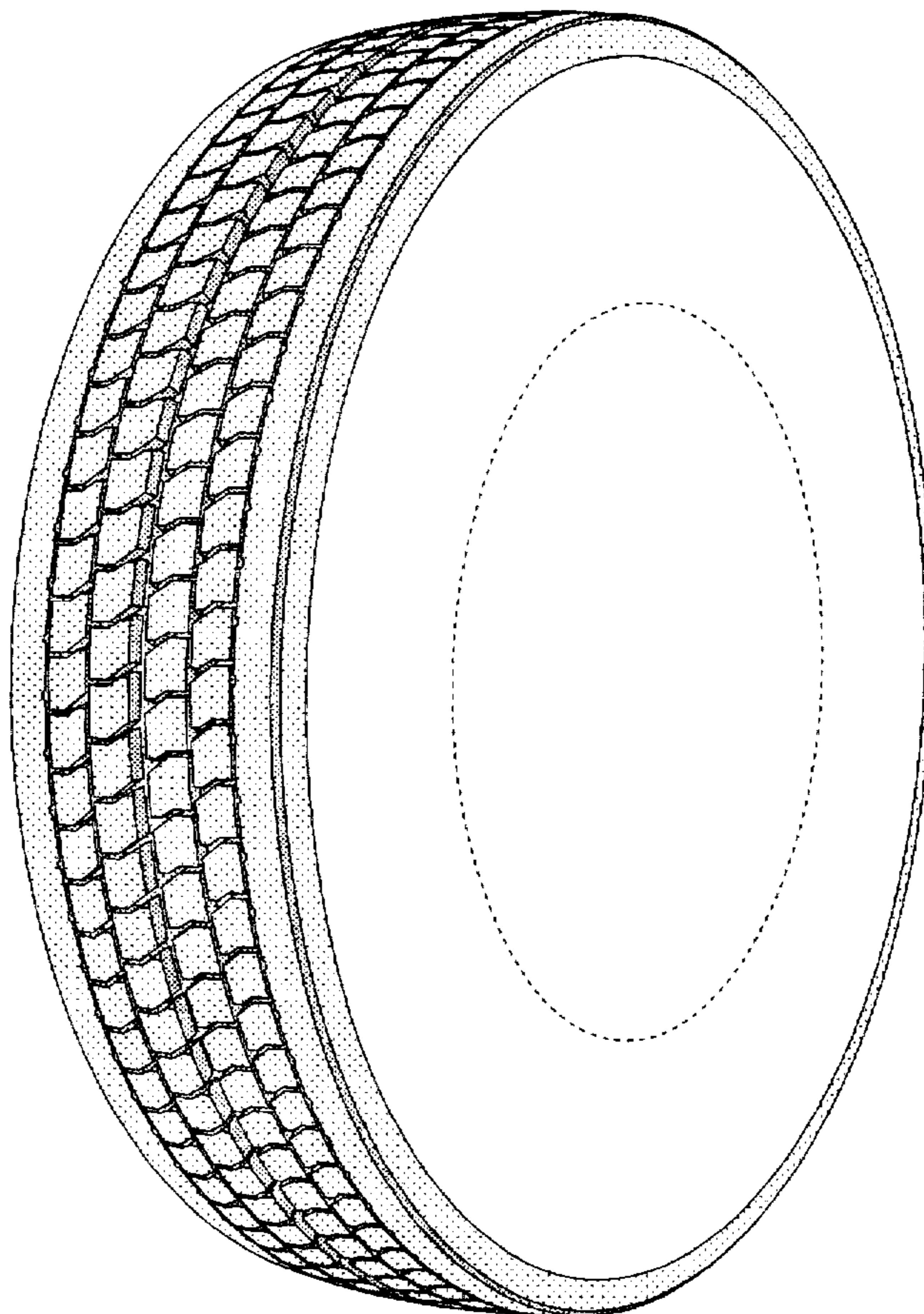
FIG. 2 is a front elevational view thereof;

FIG. 3 is a side elevational view thereof, the opposite side elevational view being a mirror image thereof; and,

FIG. 4 is an enlarged fragmentary front view thereof.

The broken line showing of the tire sidewall in the drawings is for illustrative purposes only and forms no part of the claimed design.

1 Claim, 4 Drawing Sheets



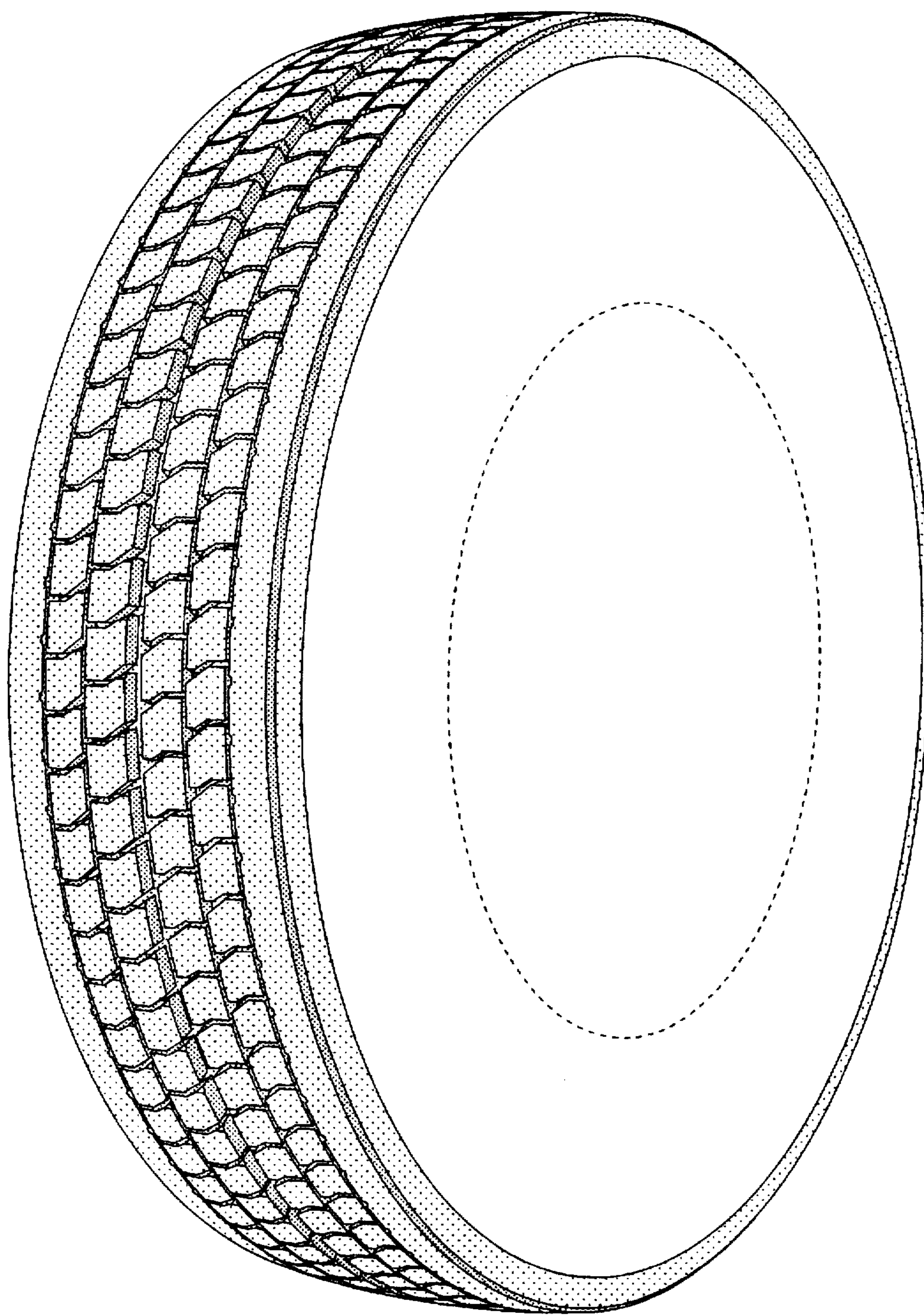


FIG-1

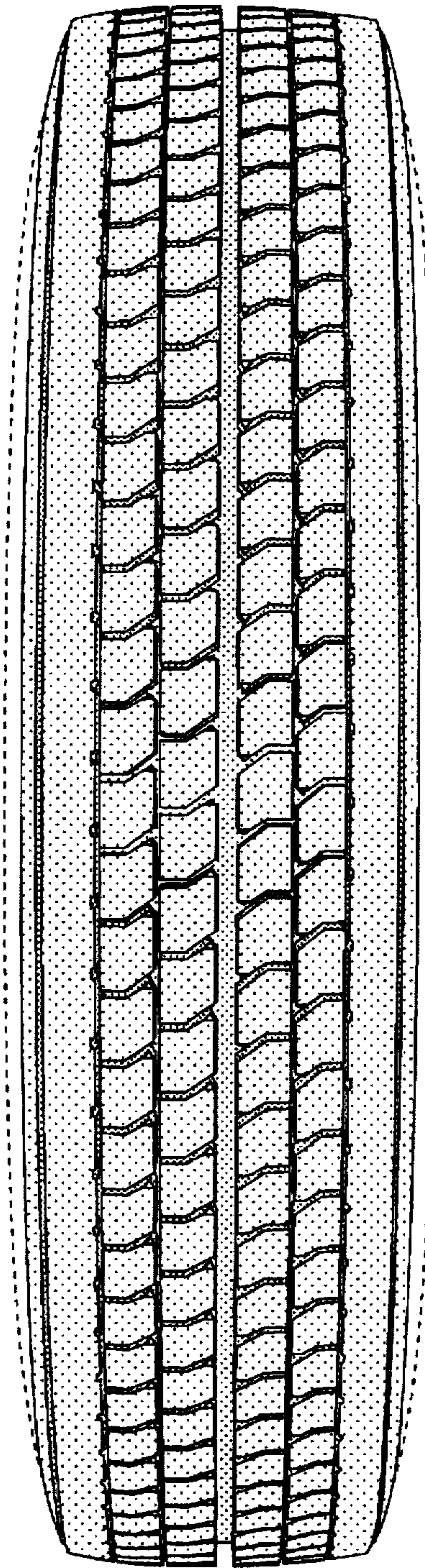


FIG-2

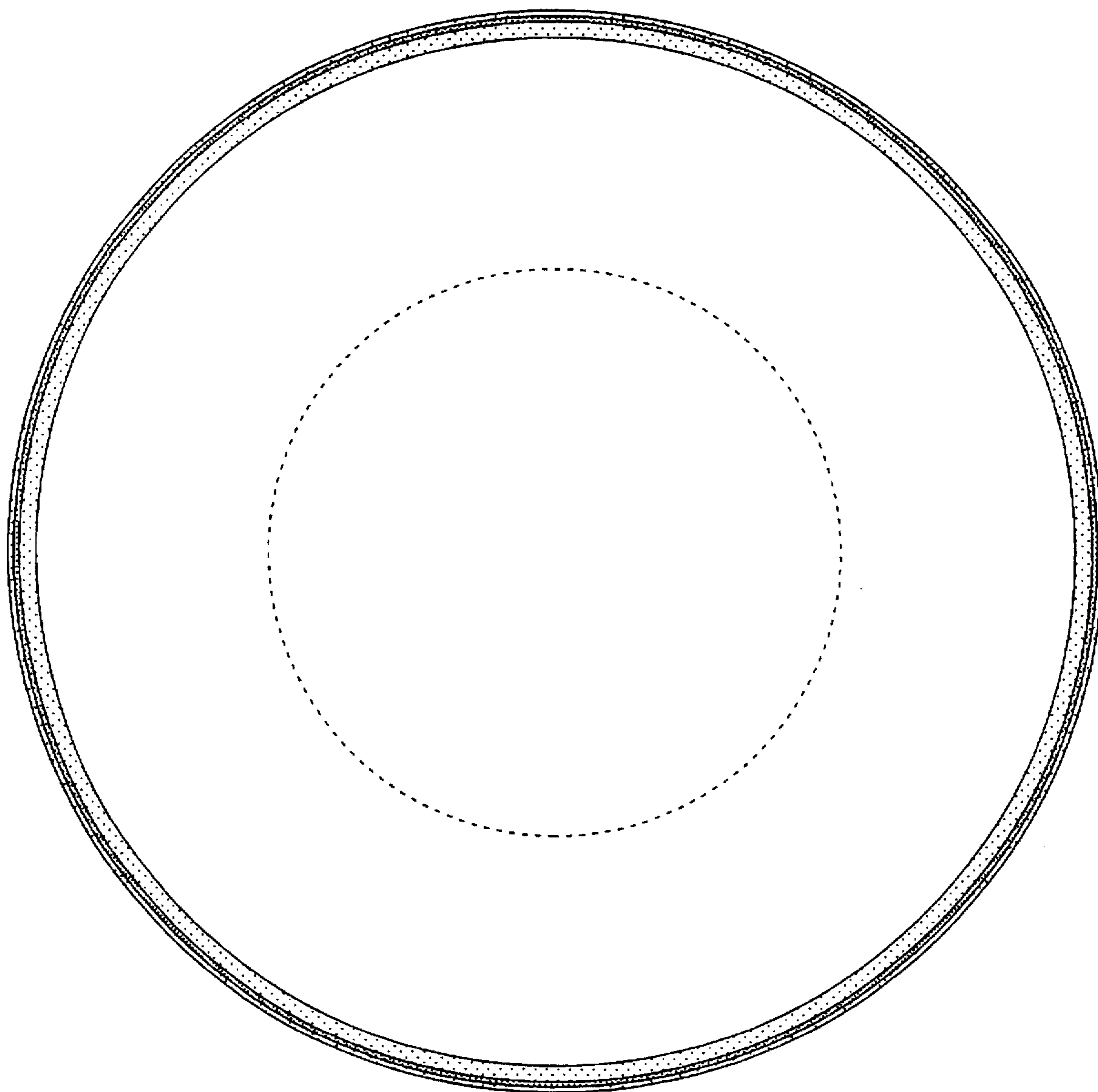


FIG-3

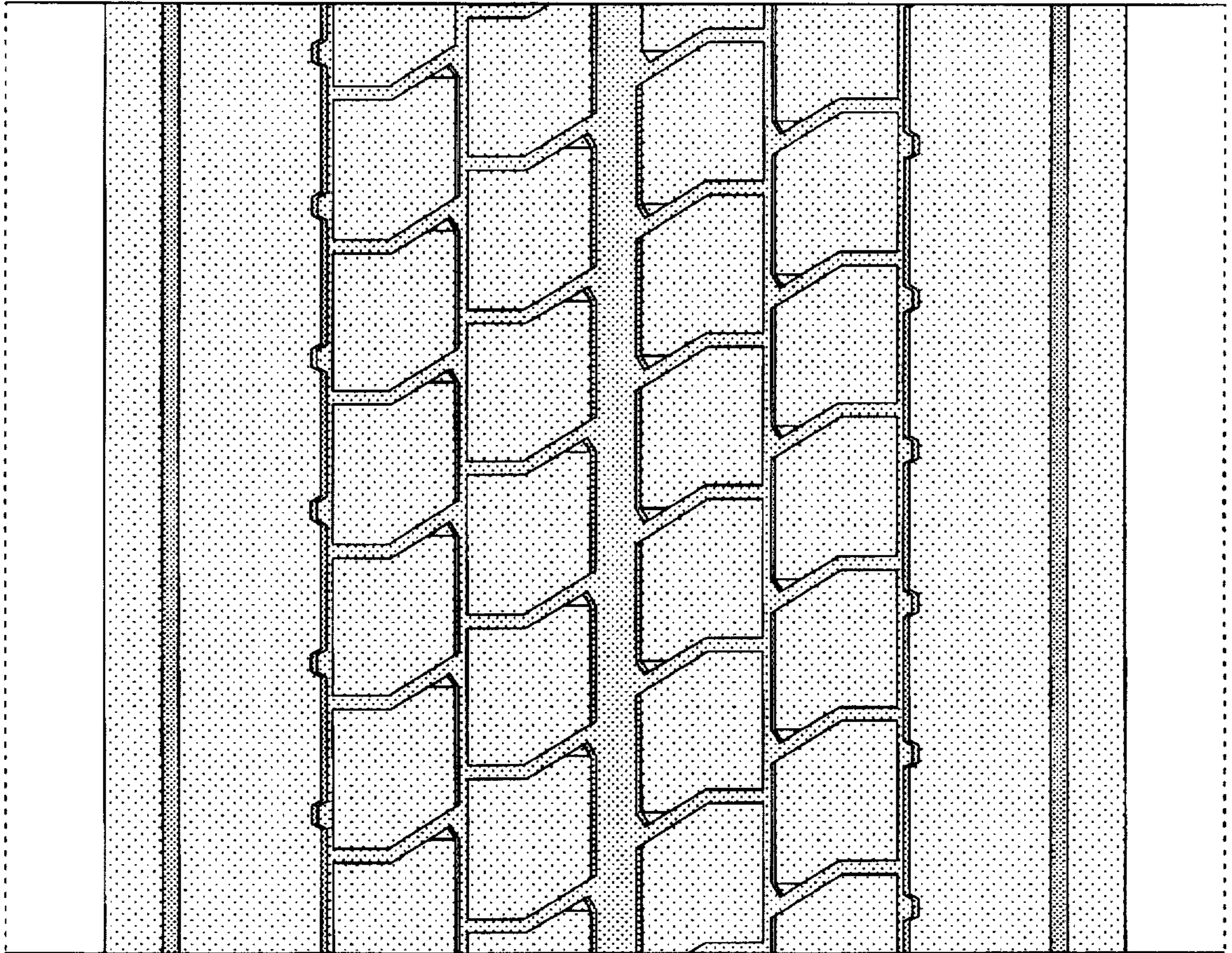


FIG-4