

US00D384602S

United States Patent [19] Anderberg

[11] Patent Number: **Des. 384,602**
[45] Date of Patent: ****Oct. 7, 1997**

[54] **BICYCLE TRAINING UNIT**
[76] Inventor: **Donald P. Anderberg**, 12200 Marion
La., Apt. 5124, Minnetonka, Minn.
55343
[**] Term: **14 Years**
[21] Appl. No.: **37,117**
[22] Filed: **Apr. 4, 1995**
[51] LOC (6) Cl. **12-11**
[52] U.S. Cl. **D12/114**
[58] Field of Search D12/111, 112,
D12/114; 280/202, 204, 282, 288.4, 292,
293

5,306,030 4/1994 Becka 280/282
5,338,204 8/1994 Herndon 280/293

Primary Examiner—Melody N. Brown
Attorney, Agent, or Firm—Nawrocki, Rooney & Sivertson,
P.A.

[57] CLAIM

The ornamental design for a bicycle training unit, as shown and described.

DESCRIPTION

FIG. 1 is a perspective view of a bicycle training unit showing my new design, the bicycle shown in broken lines is for illustrative purposes only and forms no part of the claimed design;

FIG. 2 is a right side view thereof;

FIG. 3 is a top view thereof;

FIG. 4 is a bottom view thereof;

FIG. 5 is a left side view thereof;

FIG. 6 is a front view thereof; and,

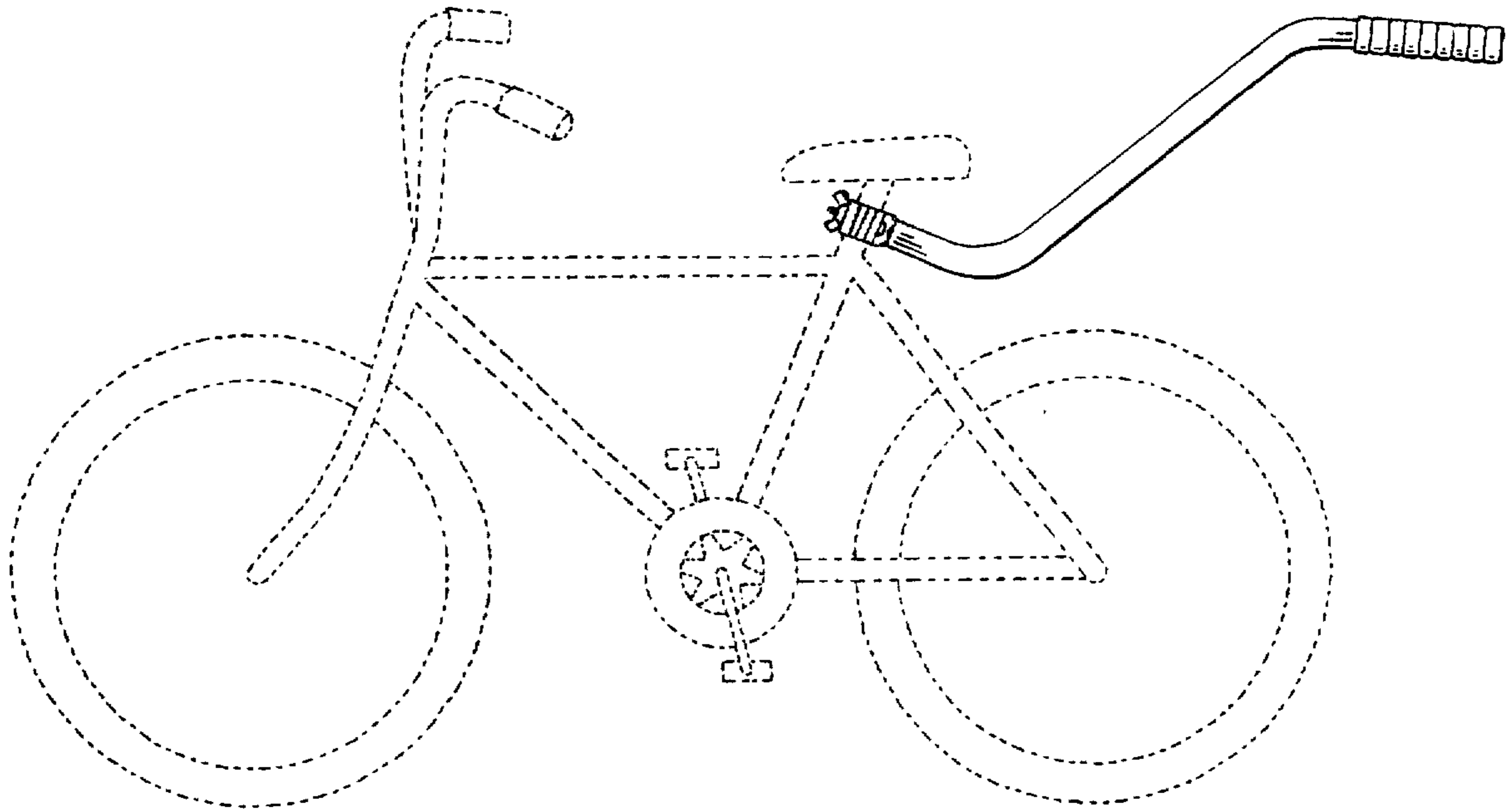
FIG. 7 is a back view thereof.

[56] References Cited

U.S. PATENT DOCUMENTS

D. 327,831 7/1992 Chambless D12/114
D. 339,090 9/1993 Gardenhour, Jr. et al. D12/114
D. 355,870 2/1995 Dieudonne D12/112
4,917,398 4/1990 de Meranda Pinto 280/299
5,028,066 7/1991 Garth 280/293

1 Claim, 3 Drawing Sheets



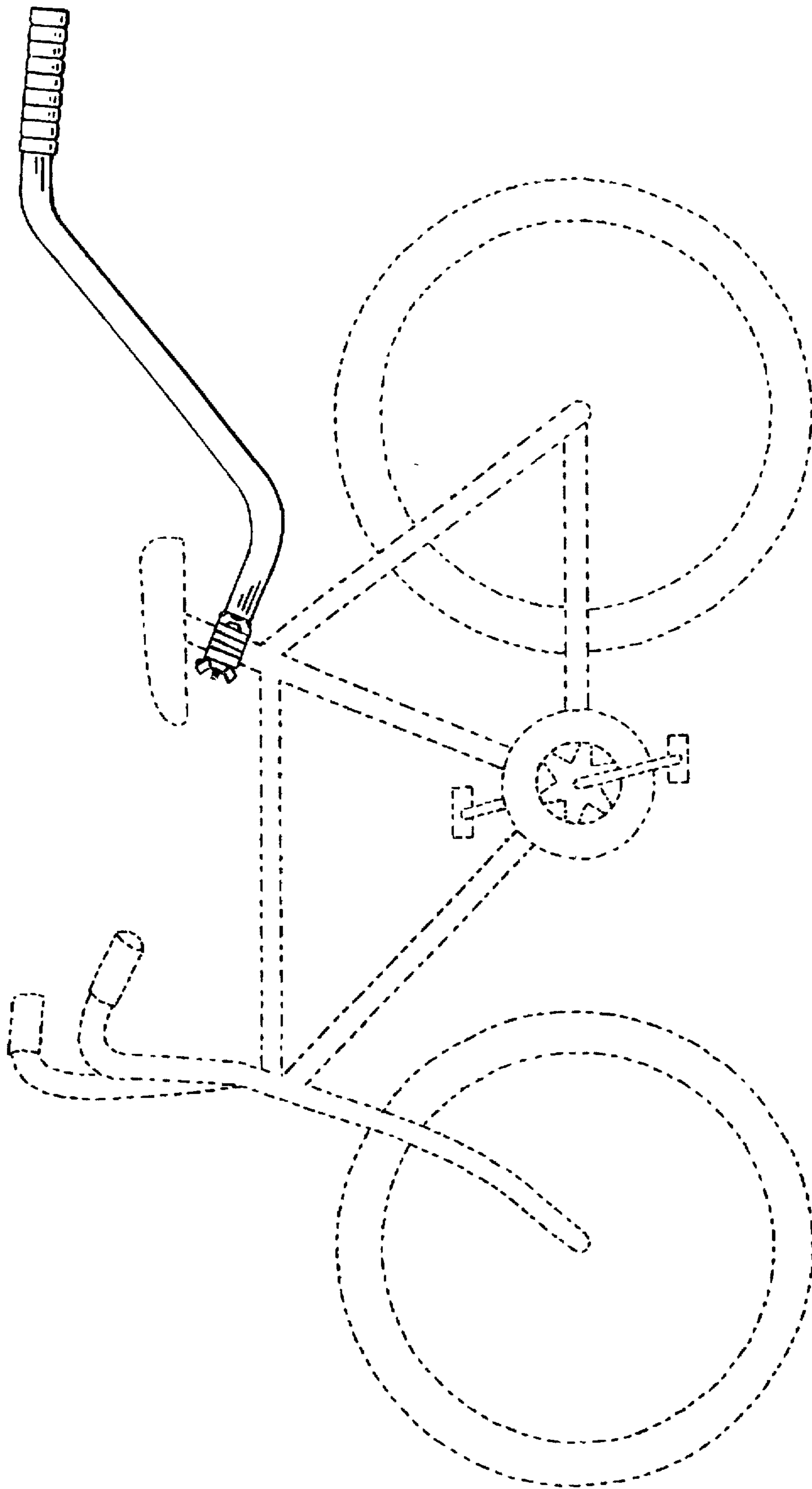


FIG. 1

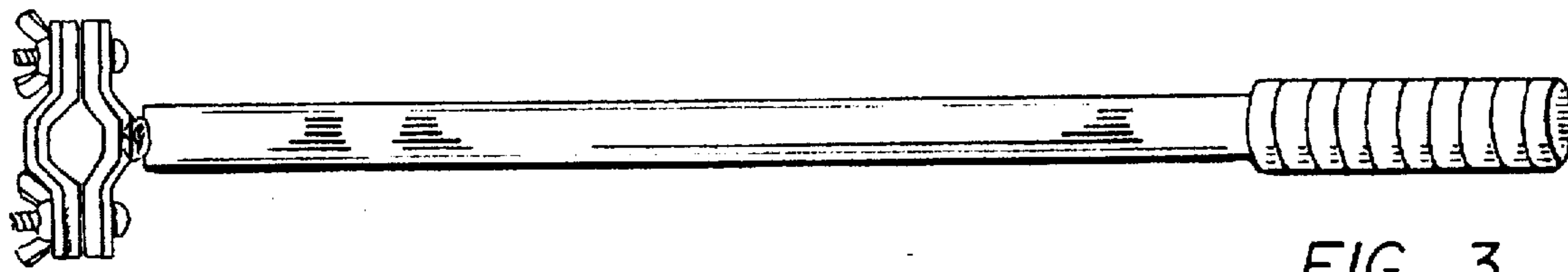


FIG. 3

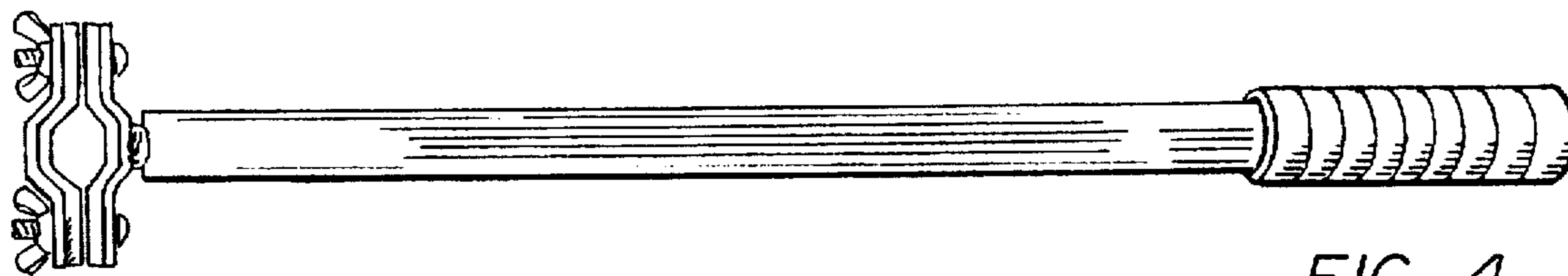


FIG. 4

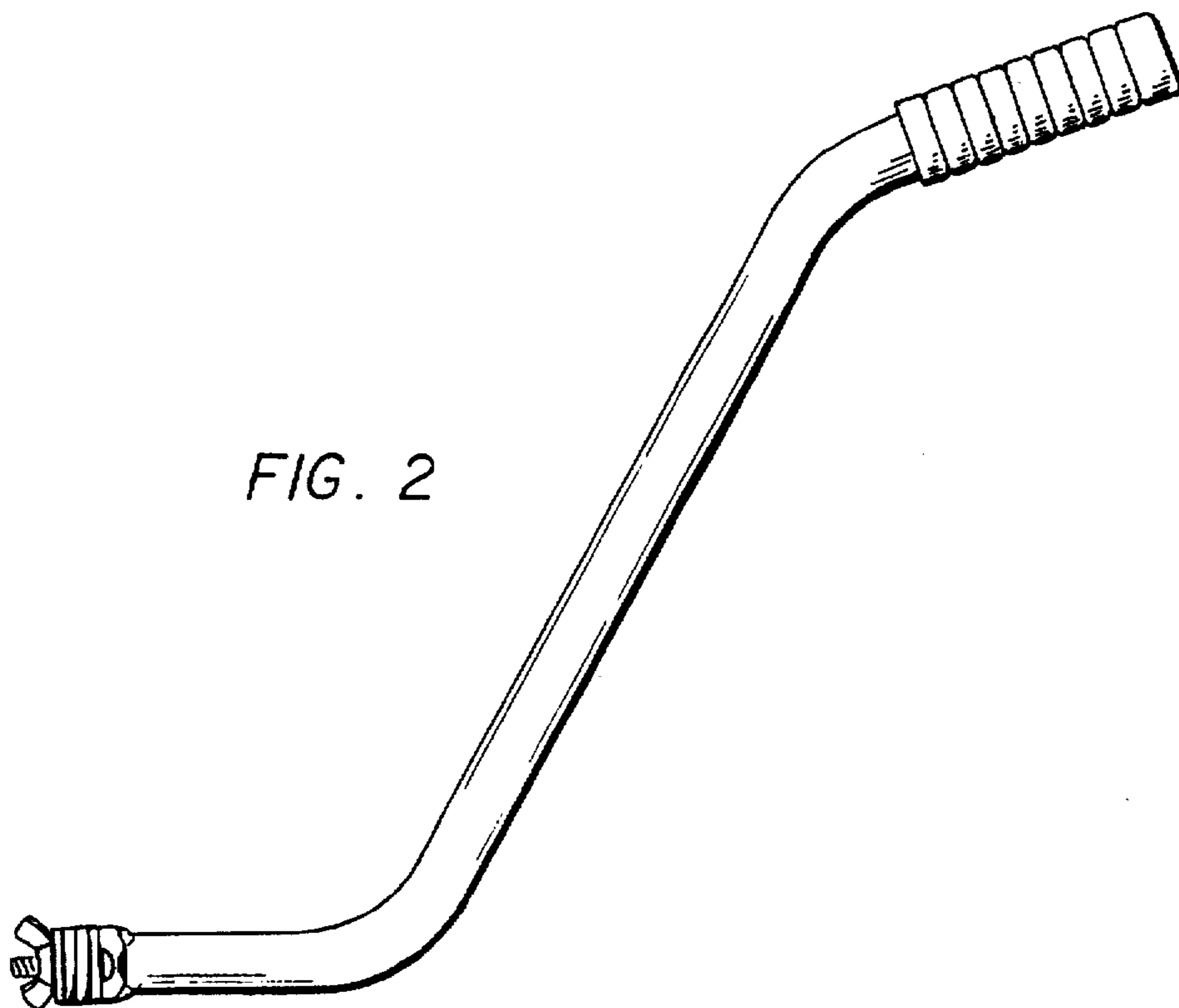


FIG. 2

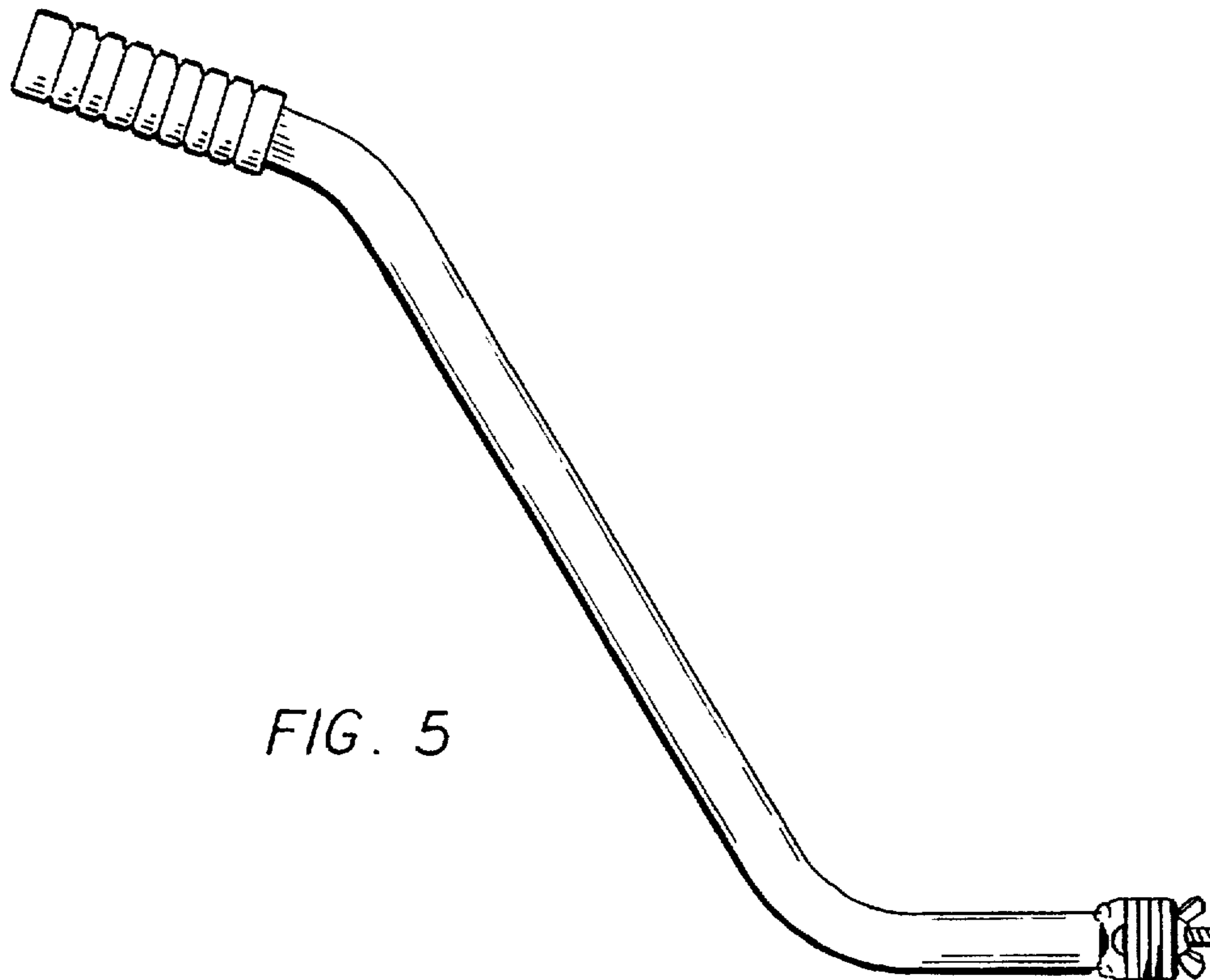


FIG. 5

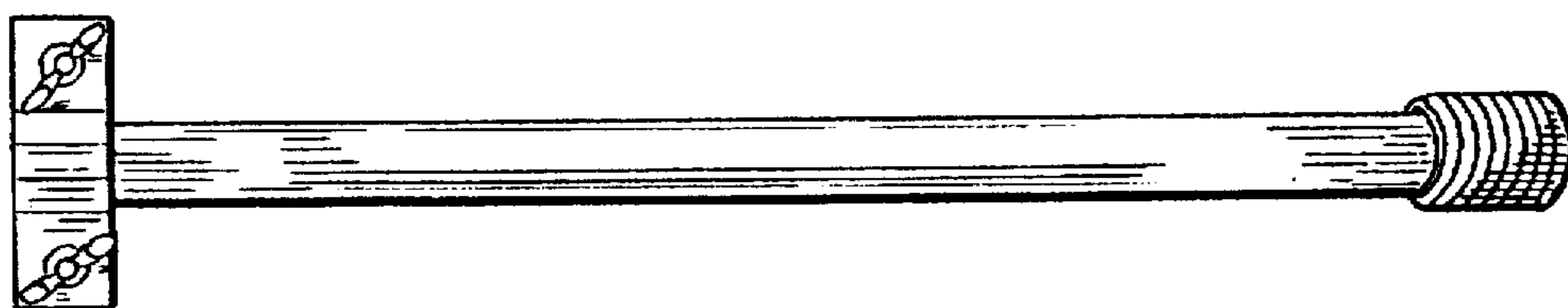


FIG. 6

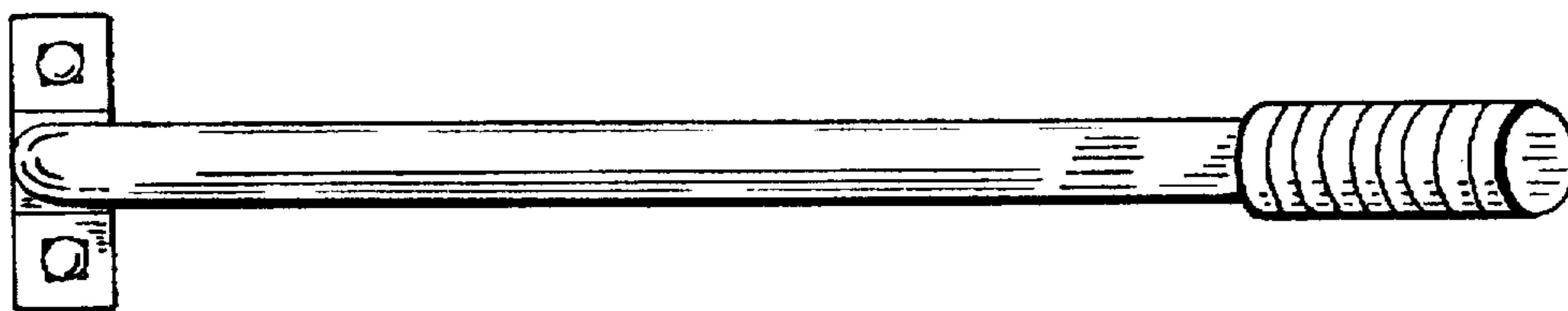


FIG. 7