



US00D384595S

**United States Patent** [19]  
**Hartwell-Ruland**

[11] **Patent Number:** **Des. 384,595**  
[45] **Date of Patent:** **\*\*Oct. 7, 1997**

- [54] **SNOWMAN DECORATING KIT**
- [76] **Inventor:** **Casie Lee Hartwell-Ruland**, P.O. Box 901, Lincoln, Ark. 72744
- [\*\*] **Term:** **14 Years**
- [21] **Appl. No.:** **51,192**
- [22] **Filed:** **Mar. 5, 1996**
- [51] **LOC (6) Cl.** ..... **11-02**
- [52] **U.S. Cl.** ..... **D11/121; D11/125; D11/128; D9/307; D9/312; D9/316**
- [58] **Field of Search** ..... **D11/121, 125, D11/128; D9/307, 311, 312, 316; D19/97; 206/223, 575**

*Primary Examiner*—Dominic Simone  
*Attorney, Agent, or Firm*—Harold H. Dutton, Jr.; Diane F. Liebman

[57] **CLAIM**

The ornamental design for a snowman decorating kit, as shown, and described.

**DESCRIPTION**

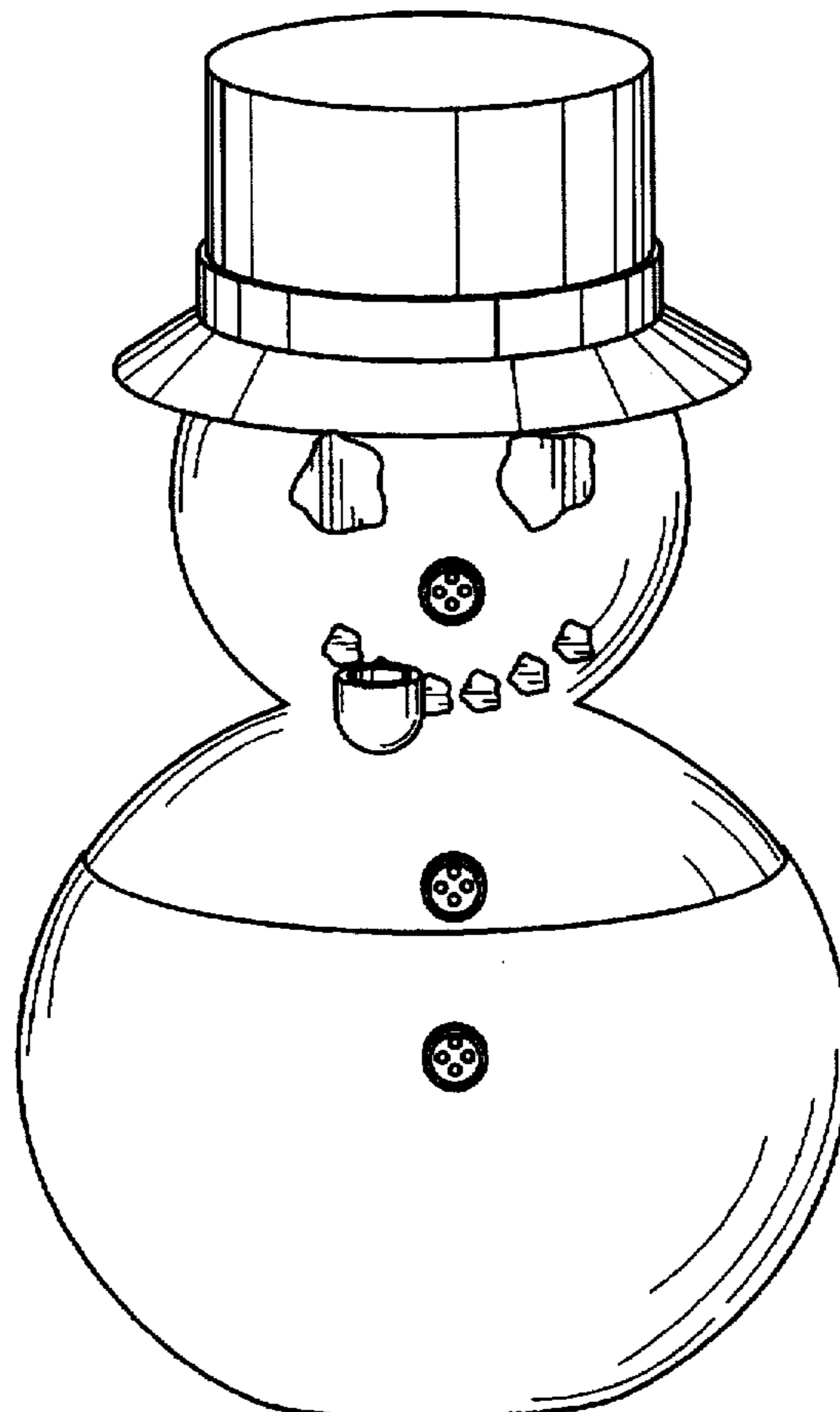
FIG. 1 is a perspective view of a snowman decorating kit showing my new design;  
 FIG. 2 is an exploded perspective view thereof;  
 FIG. 3 is a rear elevational exploded view thereof;  
 FIG. 4 is a left side elevational exploded view thereof, the right side being a mirror image;  
 FIG. 5 is a top plan view thereof;  
 FIG. 6 is a bottom plan view thereof;  
 FIG. 7 is an enlarged right, front, perspective view of the hat portion thereof, shown separately for clarity of illustration;  
 FIG. 8 is an enlarged perspective view of the button portion thereof, shown separately for clarity of illustration;  
 FIG. 9 is an enlarged perspective view of the eye portion thereof, shown separately for clarity of illustration; and,  
 FIG. 10 is an enlarged left, front, perspective view of the pipe portion thereof, the right side being a mirror image, shown separately for clarity of illustration.

[56] **References Cited**

**U.S. PATENT DOCUMENTS**

D. 155,005	8/1949	Graham	.....	D9/312
D. 157,235	2/1950	Brown	.....	D11/128 X
D. 230,321	2/1974	Laser	.....	D19/97
D. 249,027	8/1978	Dibble	.....	D11/125
D. 333,261	2/1993	Van Erkel	.....	D9/312
D. 351,340	10/1994	Drummond	.....	D9/312 X
2,484,776	10/1949	Zent et al.	.....	D11/121
3,035,689	5/1962	Ainheiter	.....	206/575
3,176,836	4/1965	Gunn	.....	206/575
5,522,507	6/1996	Cruz	.....	206/575

**1 Claim, 4 Drawing Sheets**



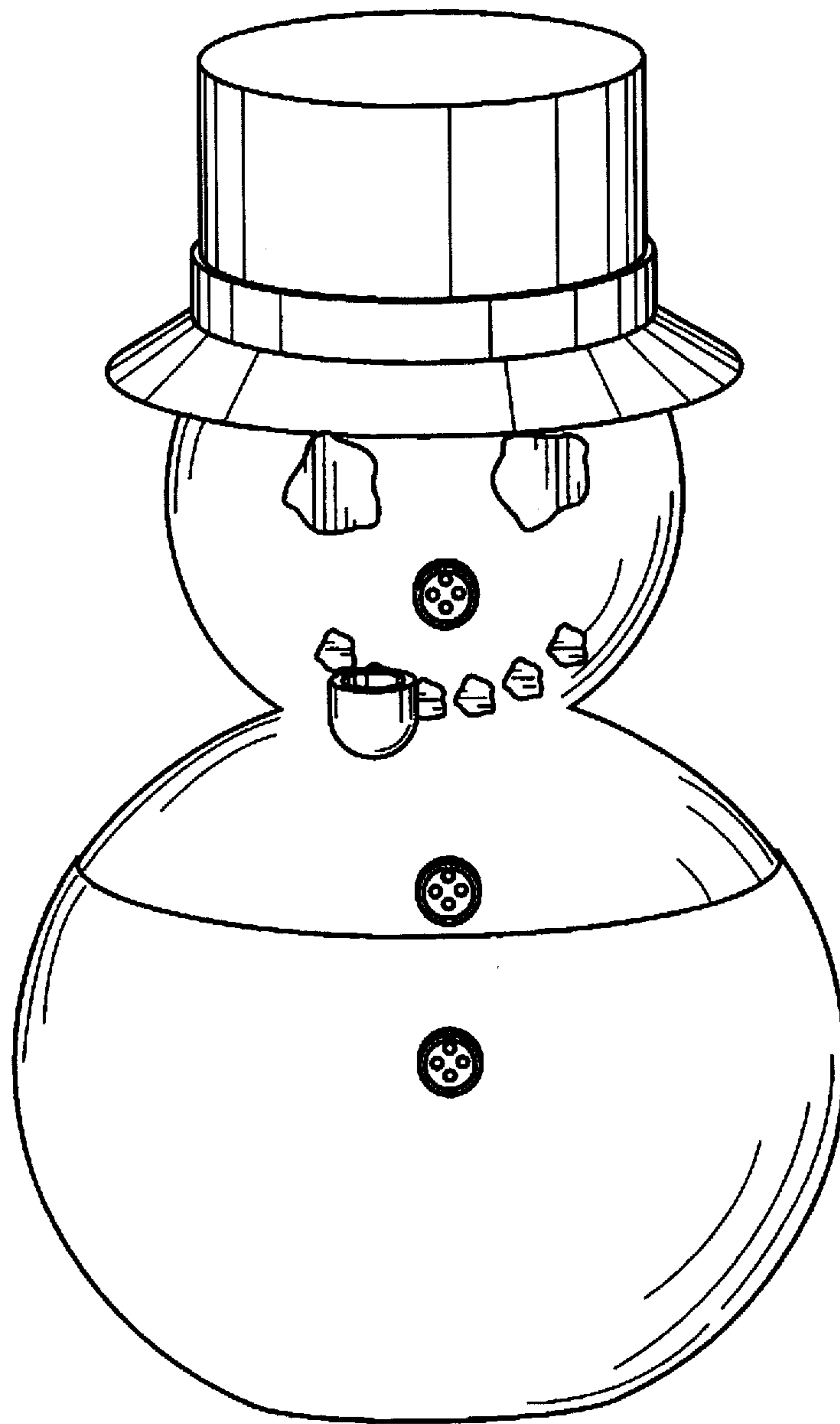


FIG. 1

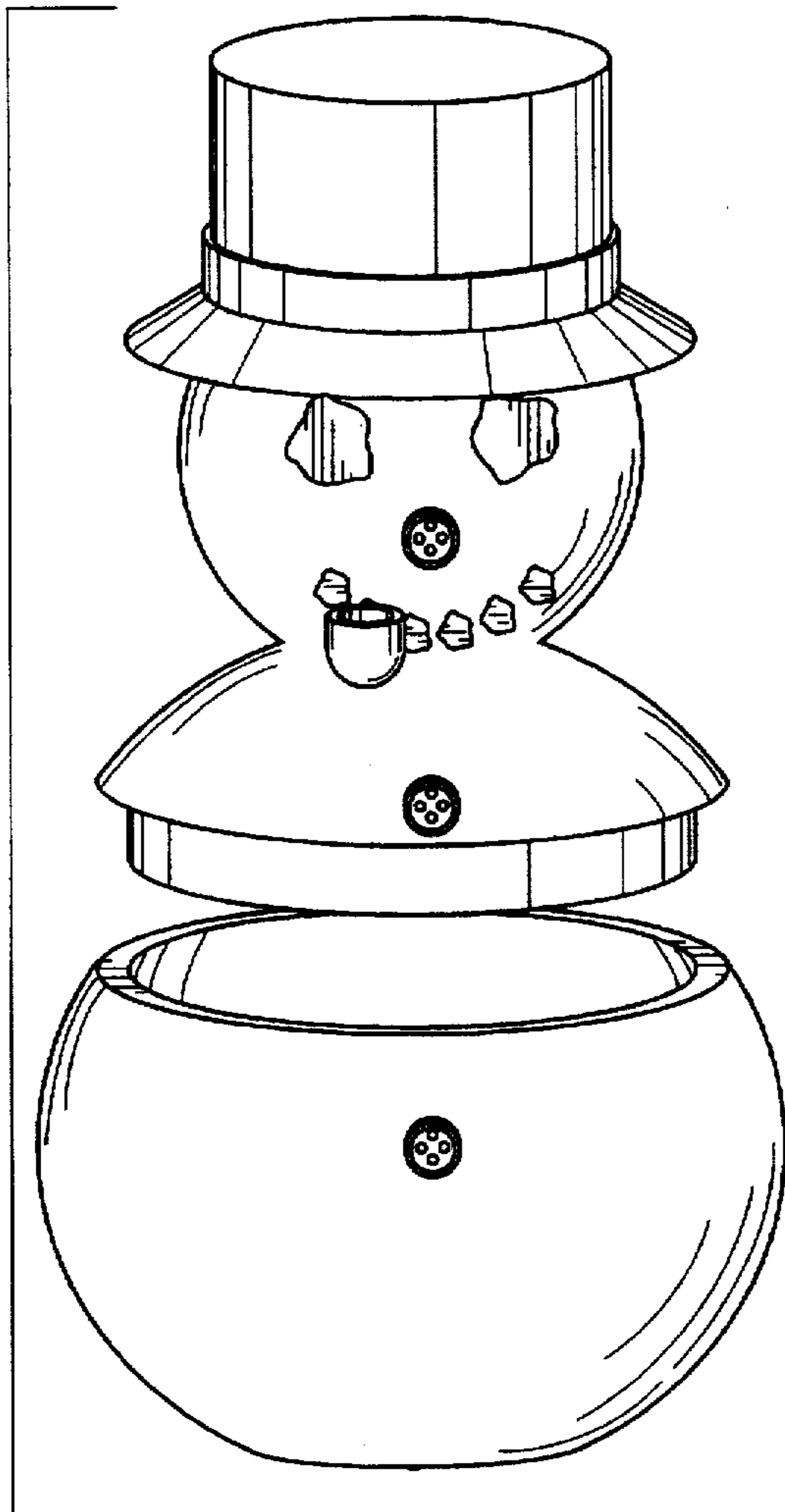


FIG. 2

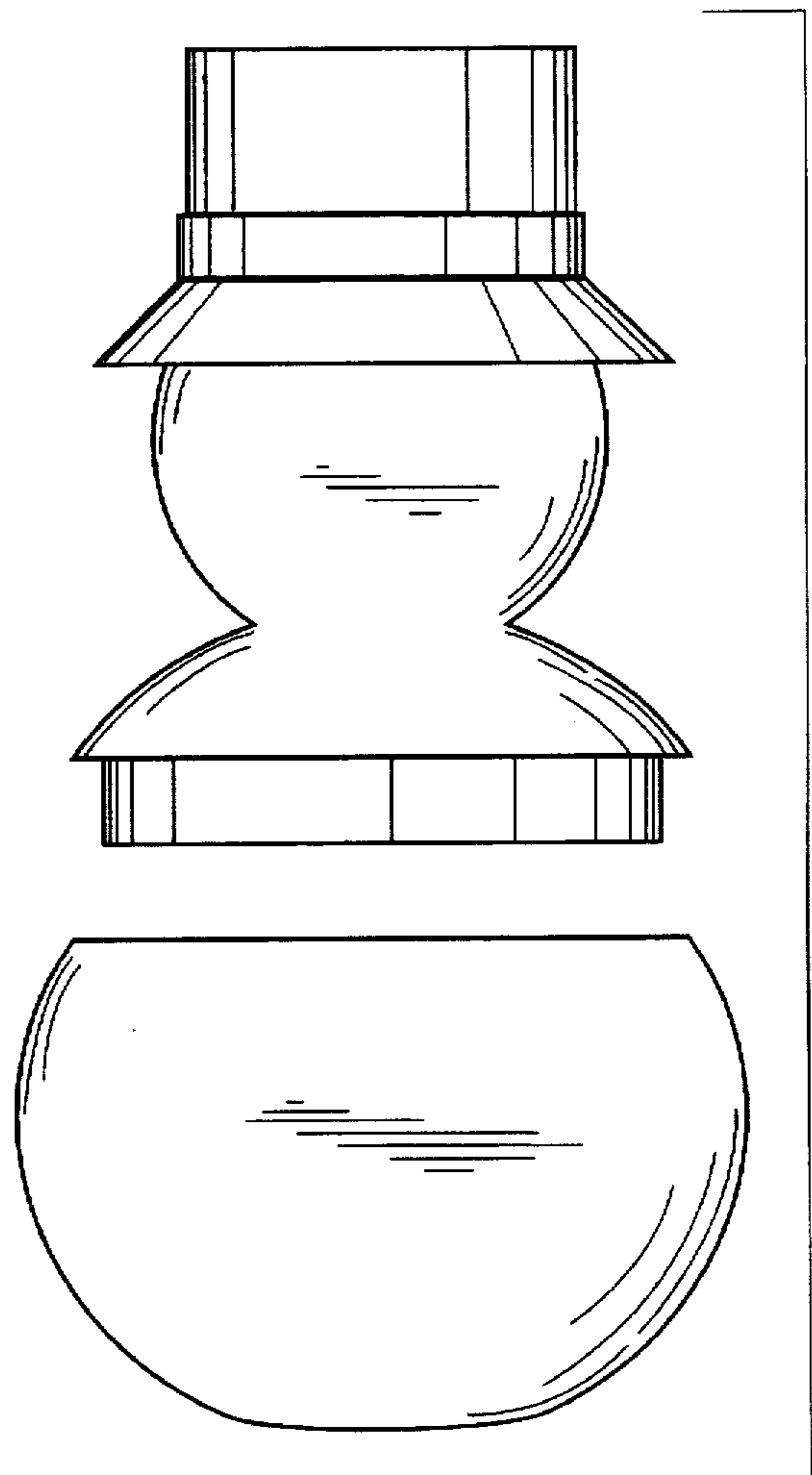


FIG. 3

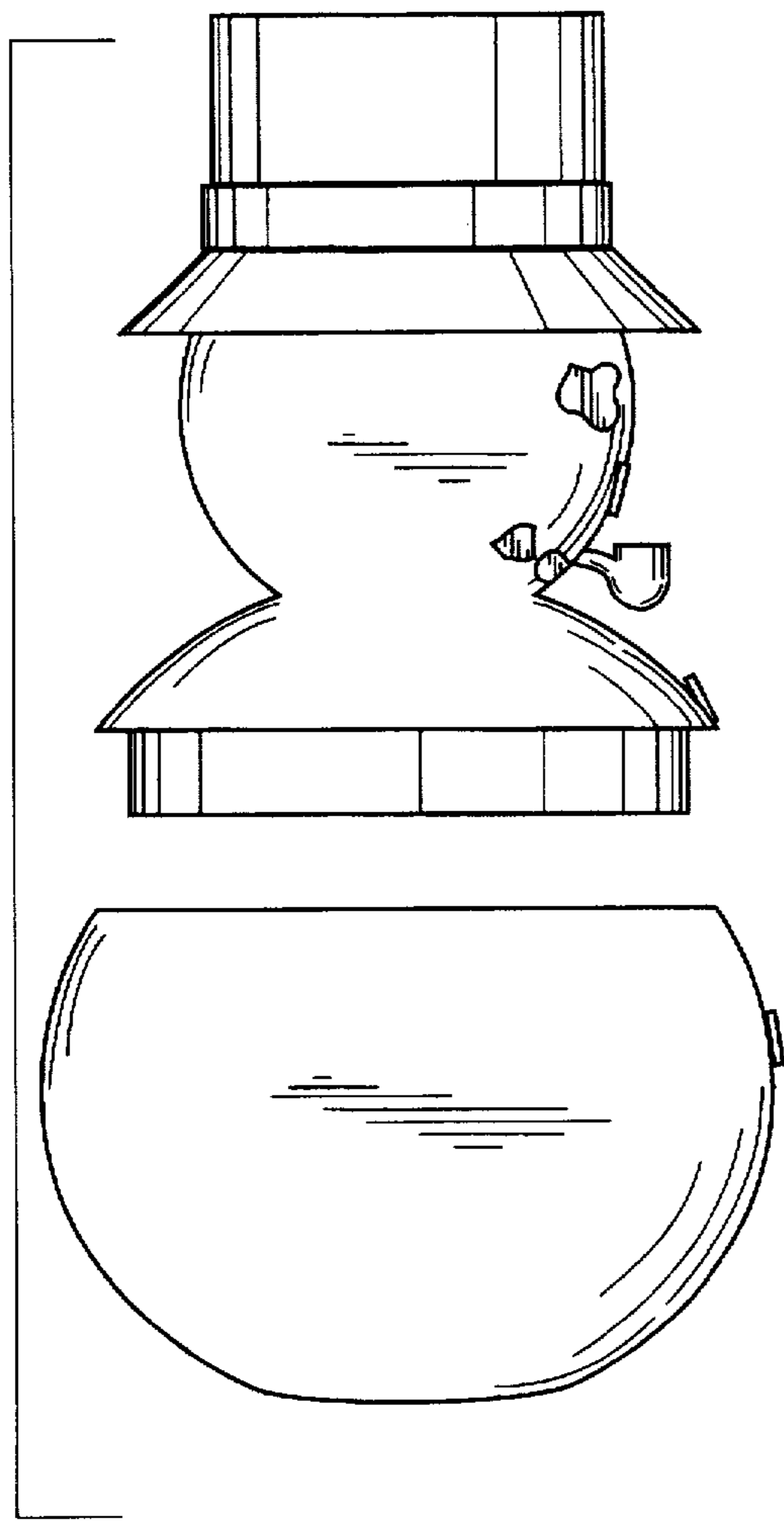


FIG. 4

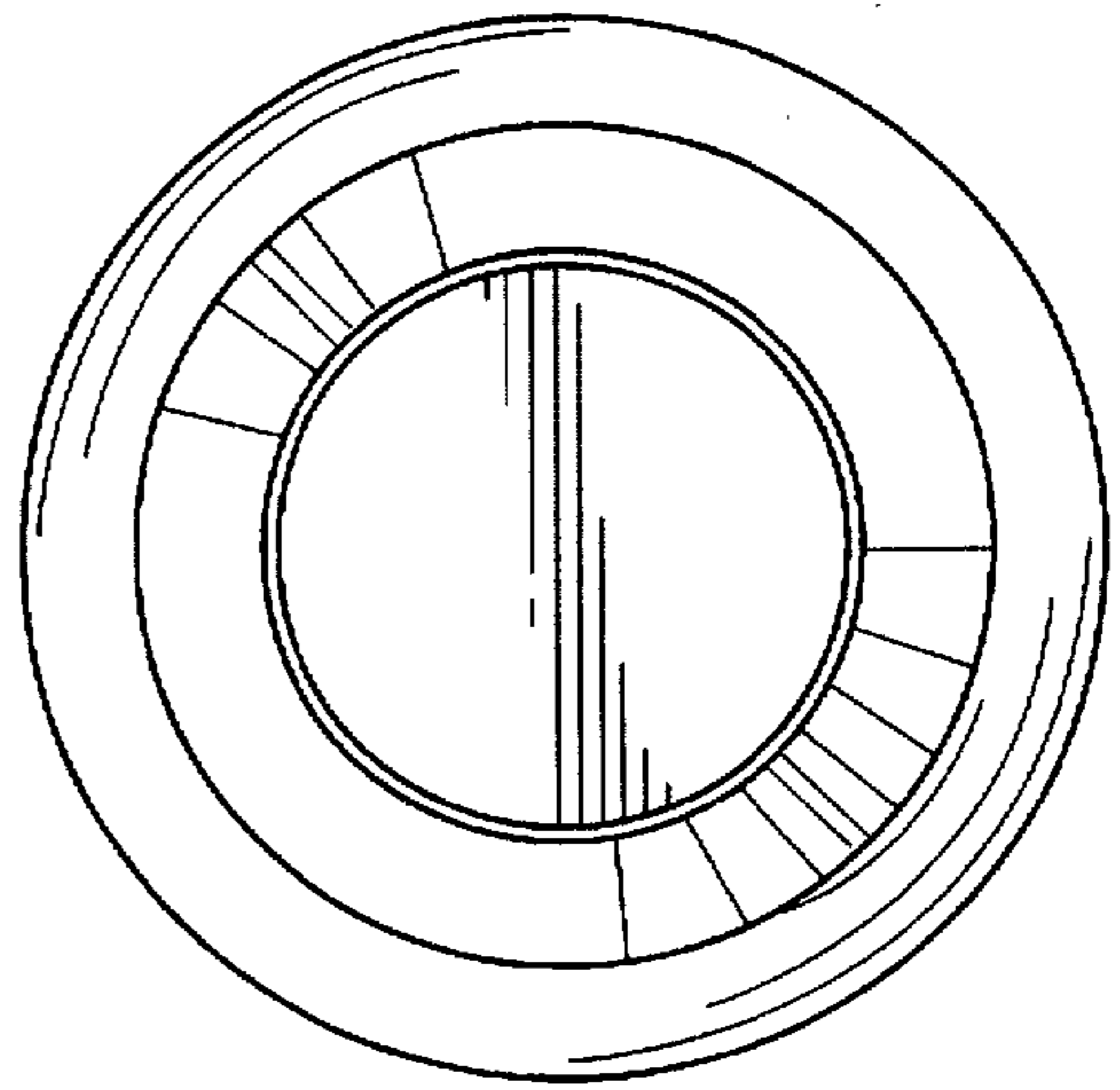


FIG. 5

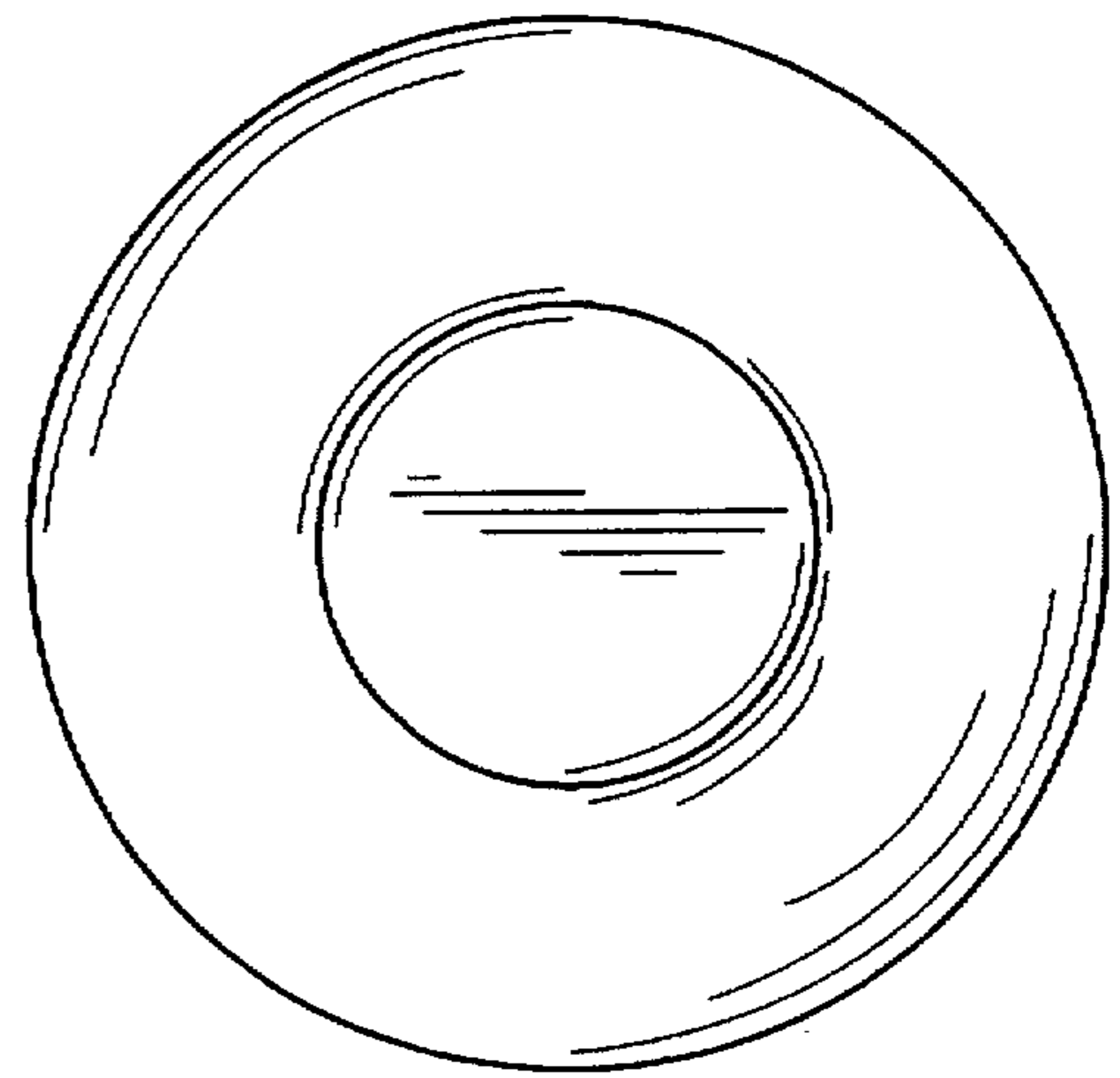


FIG. 6

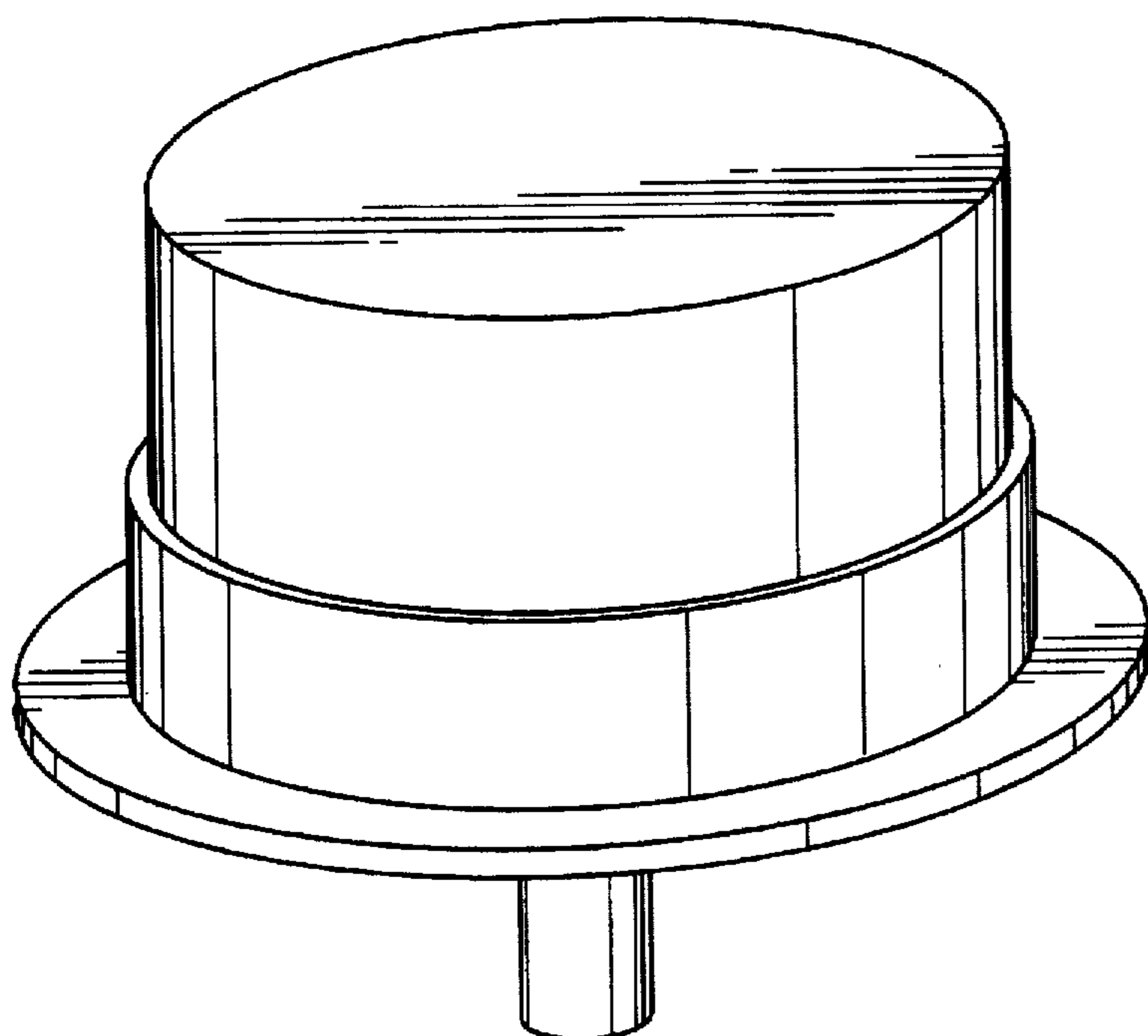


FIG. 7

FIG. 8

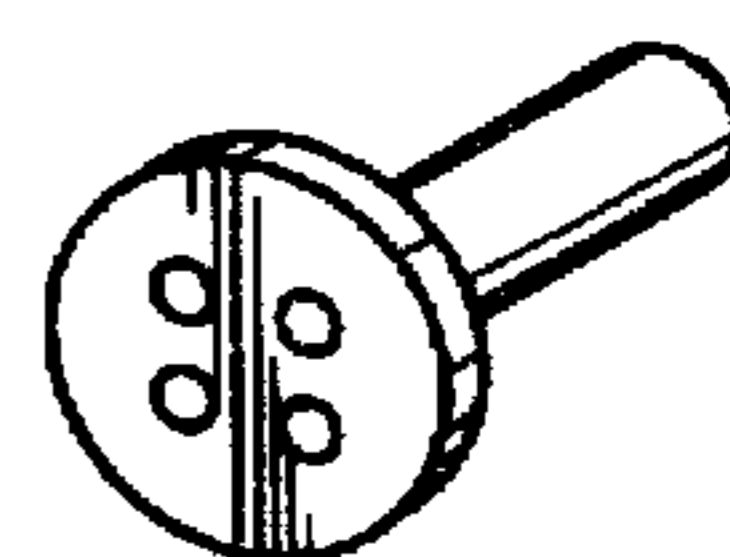


FIG. 9

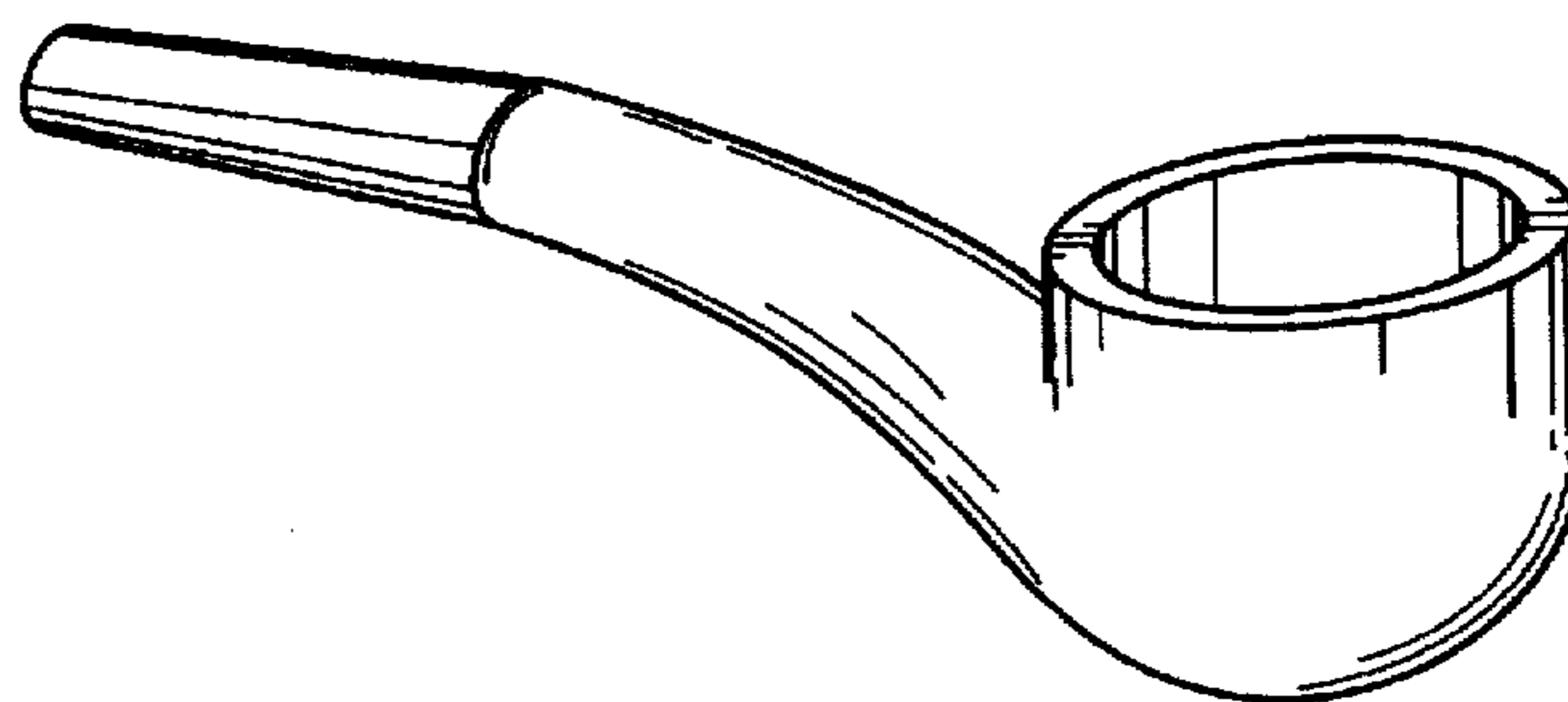
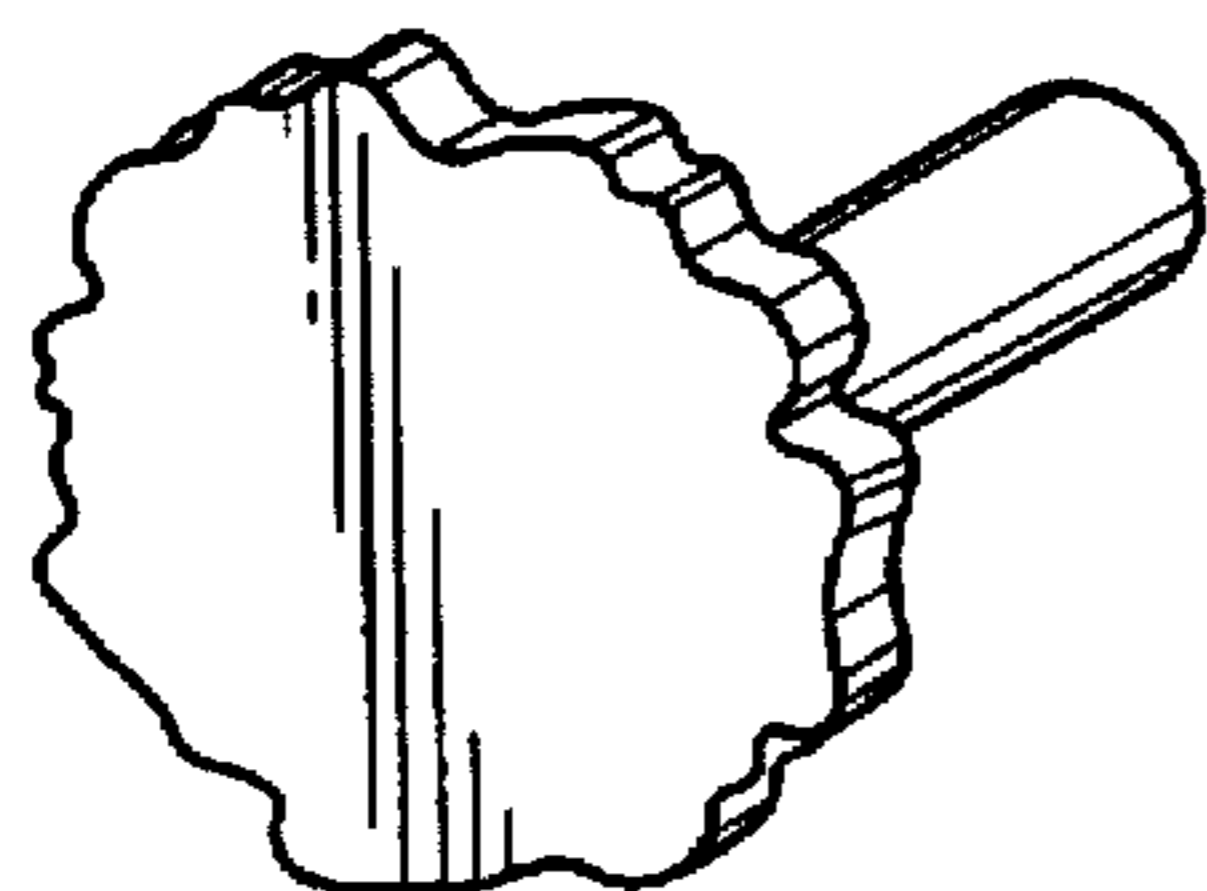


FIG. 10