



US00D384584S

# United States Patent [19] Kong

[11] Patent Number: **Des. 384,584**  
[45] Date of Patent: **\*\*Oct. 7, 1997**

[54] CONTAINER LID

[75] Inventor: **Yick Ming Kong, Tsuen Wan, Hong Kong**

[73] Assignee: **Magician Industrial Co., Ltd., Hong Kong**

[\*\*] Term: **14 Years**

[21] Appl. No.: **40,759**

[22] Filed: **Jun. 26, 1995**

[51] LOC (6) Cl. .... **09-07**

[52] U.S. Cl. .... **D9/447**

[58] Field of Search ..... D9/434, 435, 436, D9/447, 449; D7/392, 510, 511; 215/388, 389; 220/705, 707, 708, 711; 222/533-6

### [56] References Cited

#### U.S. PATENT DOCUMENTS

D. 112,150	11/1938	Pershall .....	D7/392
D. 234,344	2/1975	Schlick .....	D9/436
D. 238,935	2/1976	Fahnrich .....	D9/436
D. 351,761	10/1994	Feer .....	D9/447 X
D. 358,301	5/1995	Brown et al. ....	D7/510 X
2,755,972	7/1956	Nave et al. ....	222/568
3,568,895	3/1971	Porter .....	222/534
3,907,179	9/1975	Pehr et al. ....	D7/392 X
4,407,425	10/1983	Combs .	
4,485,963	12/1984	Panicci .	
4,732,303	3/1988	Wang .....	222/534 X
4,892,234	1/1990	Bennett .....	222/534 X
5,065,909	11/1991	Pino et al. .	
5,085,335	2/1992	Carbaugh .	

5,188,283	2/1993	Gu .
5,242,079	9/1993	Stephens et al. .
5,273,172	12/1993	Rossbach et al. .
5,337,918	8/1994	Wang .

*Primary Examiner*—James Gandy  
*Assistant Examiner*—Cathron B. Matta  
*Attorney, Agent, or Firm*—Majestic, Parsons, Siebert & Hsue

### [57] CLAIM

The ornamental design for a container lid, as shown and described.

### DESCRIPTION

FIG. 1 is a front elevational view of the container lid showing my new design wherein the broken lines of the container and the straw are for illustrative purposes only and form no part of the claimed design;

FIG. 2 is a top plan view thereof wherein the rearmost portion of the lid, as defined by FIG. 1, appears at the lowermost portion of FIG. 2, showing a pop-up portion in an unextended position;

FIG. 3 is a top plan view thereof wherein the rearmost portion of the lid, as defined by FIG. 1, appears at the lowermost portion of FIG. 3, showing the pop-up portion in an extended position;

FIG. 4 is a rear elevational view thereof;

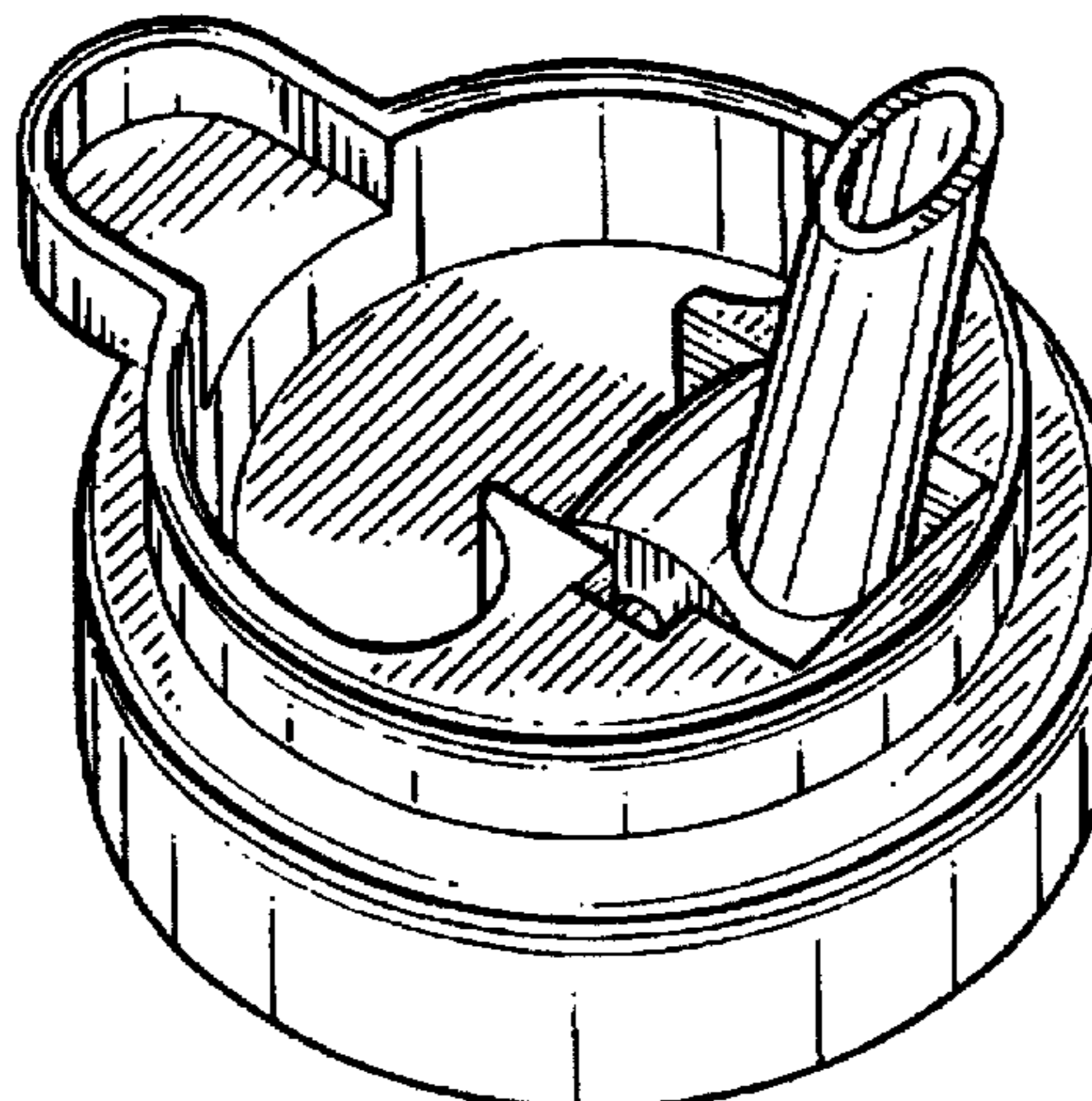
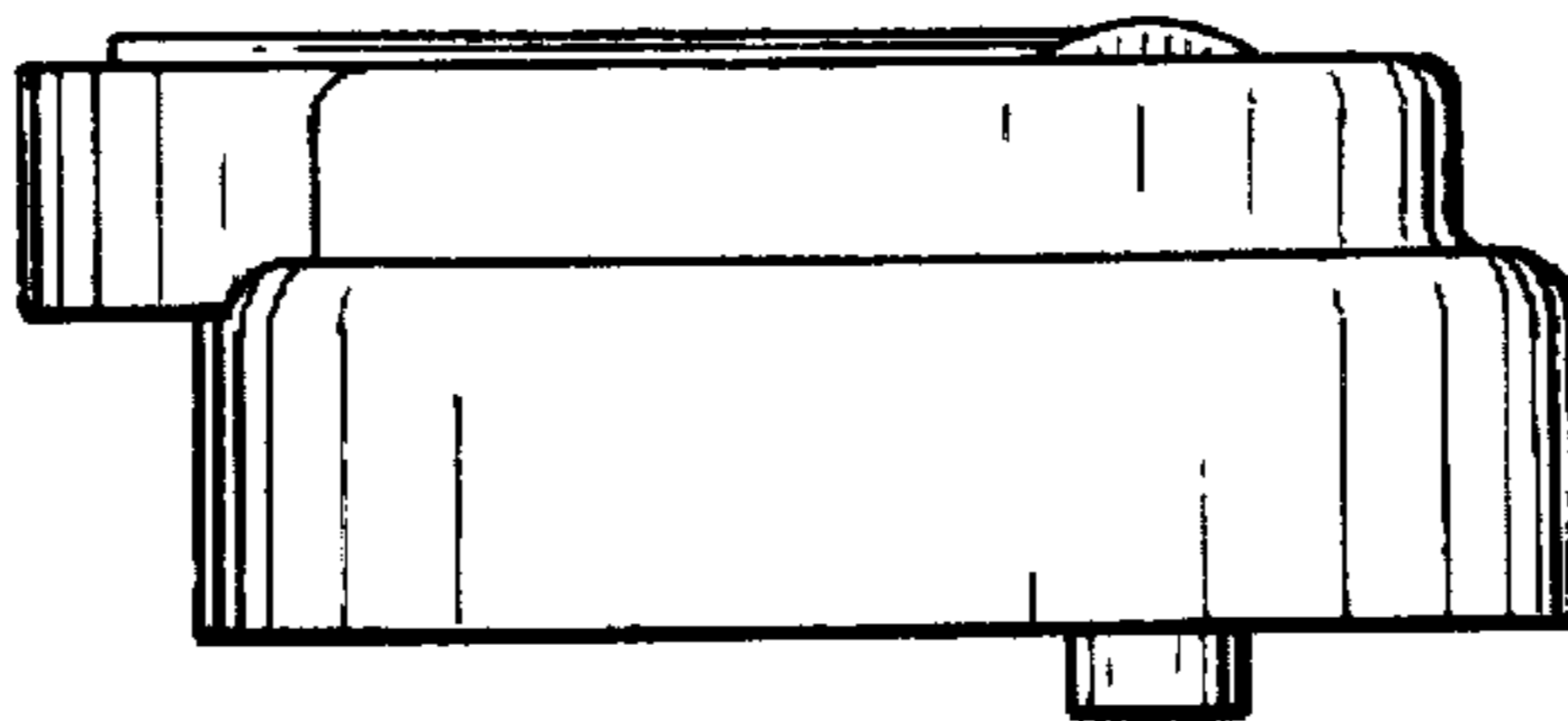
FIG. 5 is a front elevational view thereof, absent the merely illustrative broken lines of FIG. 1;

FIG. 6 is a left side elevational view thereof;

FIG. 7 is a right side elevational view thereof; and,

FIG. 8 is a top perspective view thereof.

1 Claim, 4 Drawing Sheets



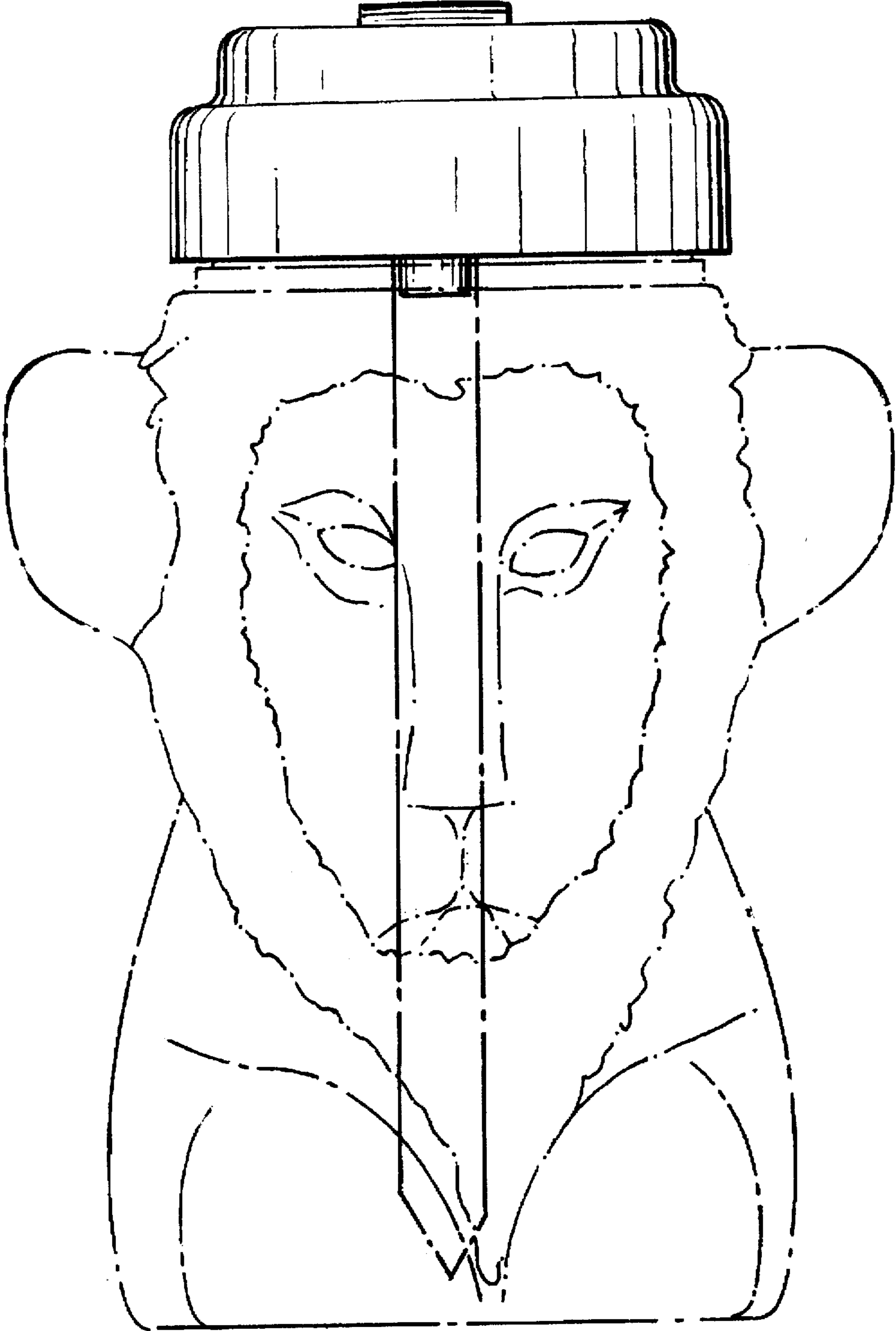


FIG. 1

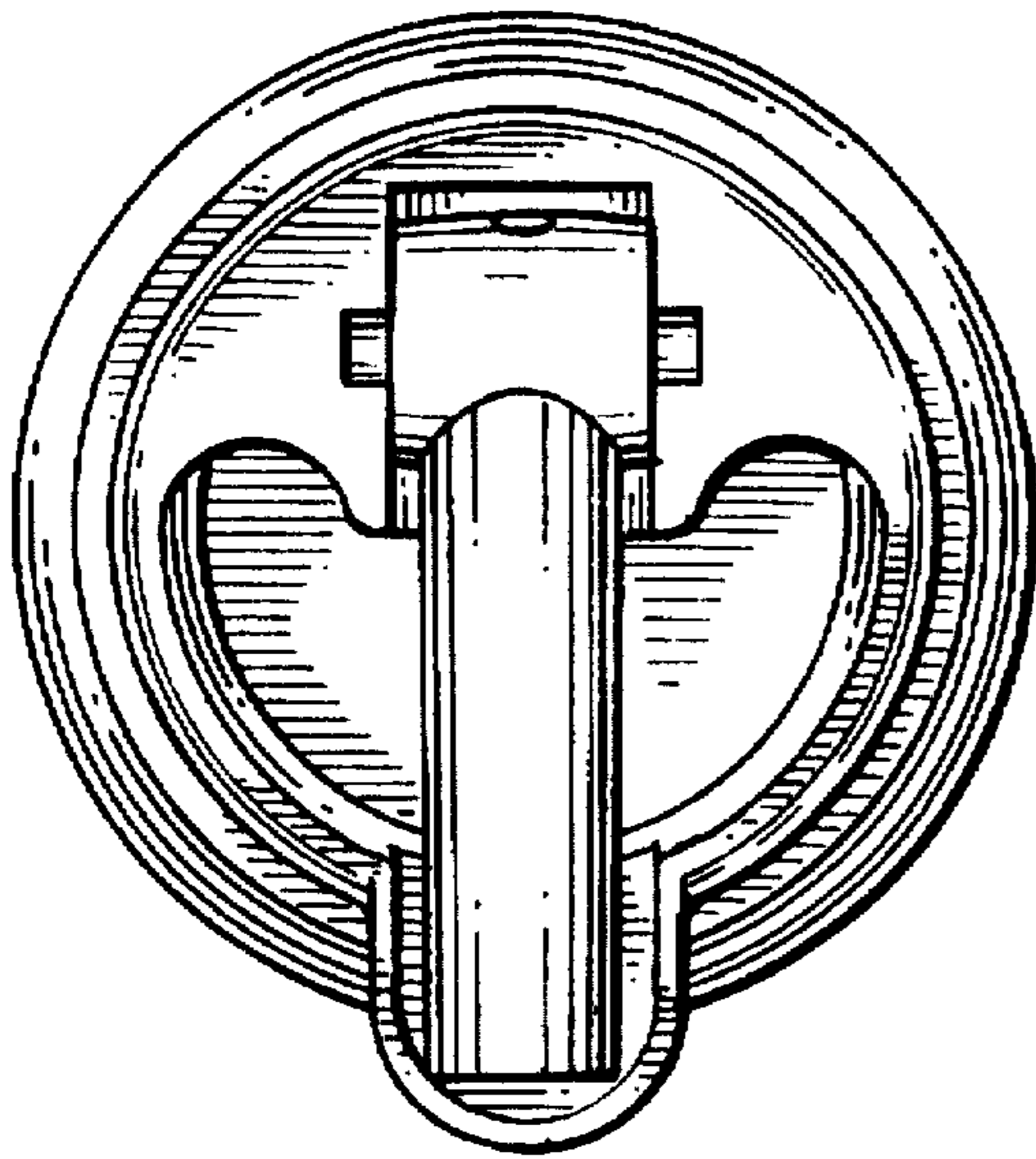


FIG. 2

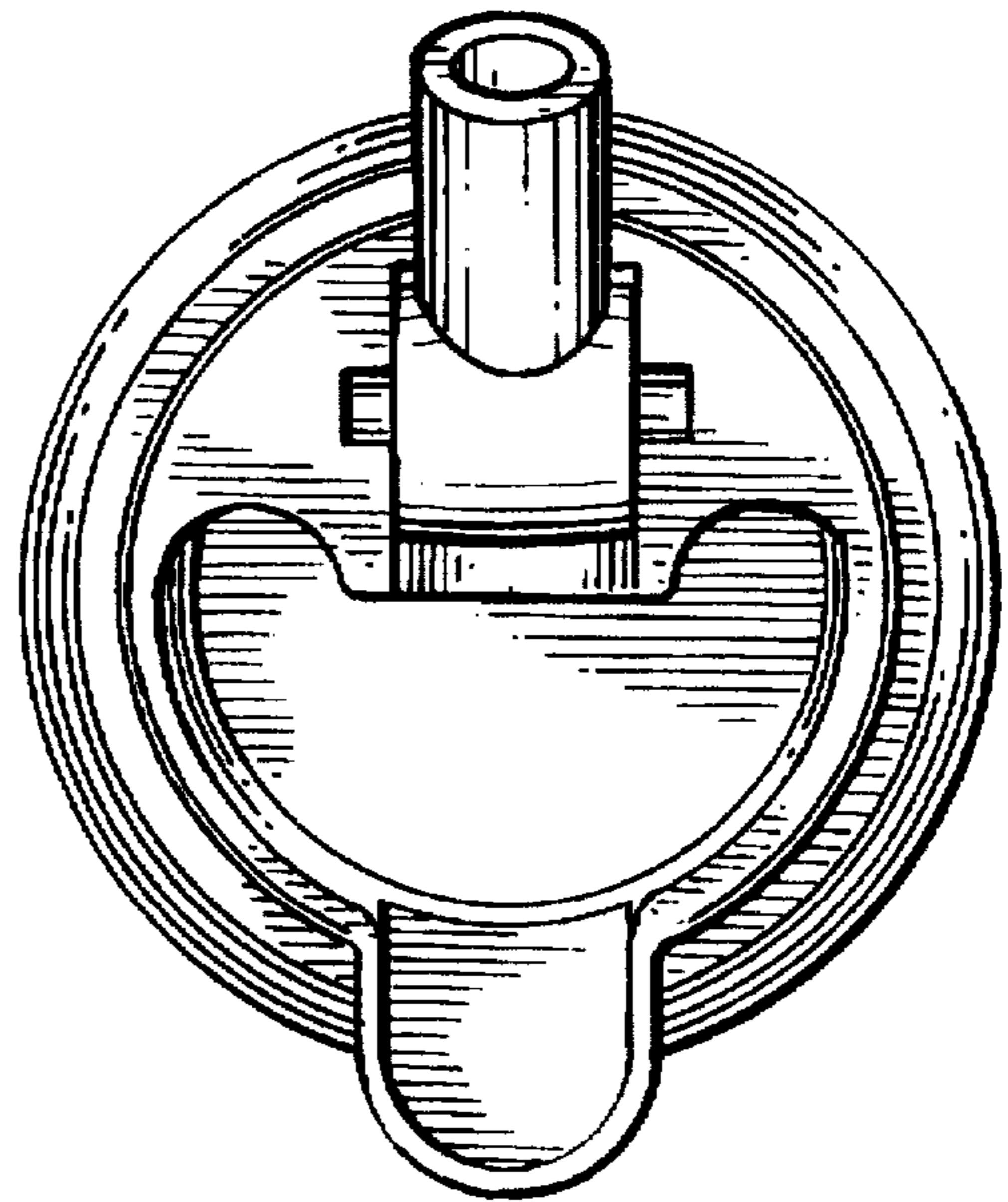


FIG. 3

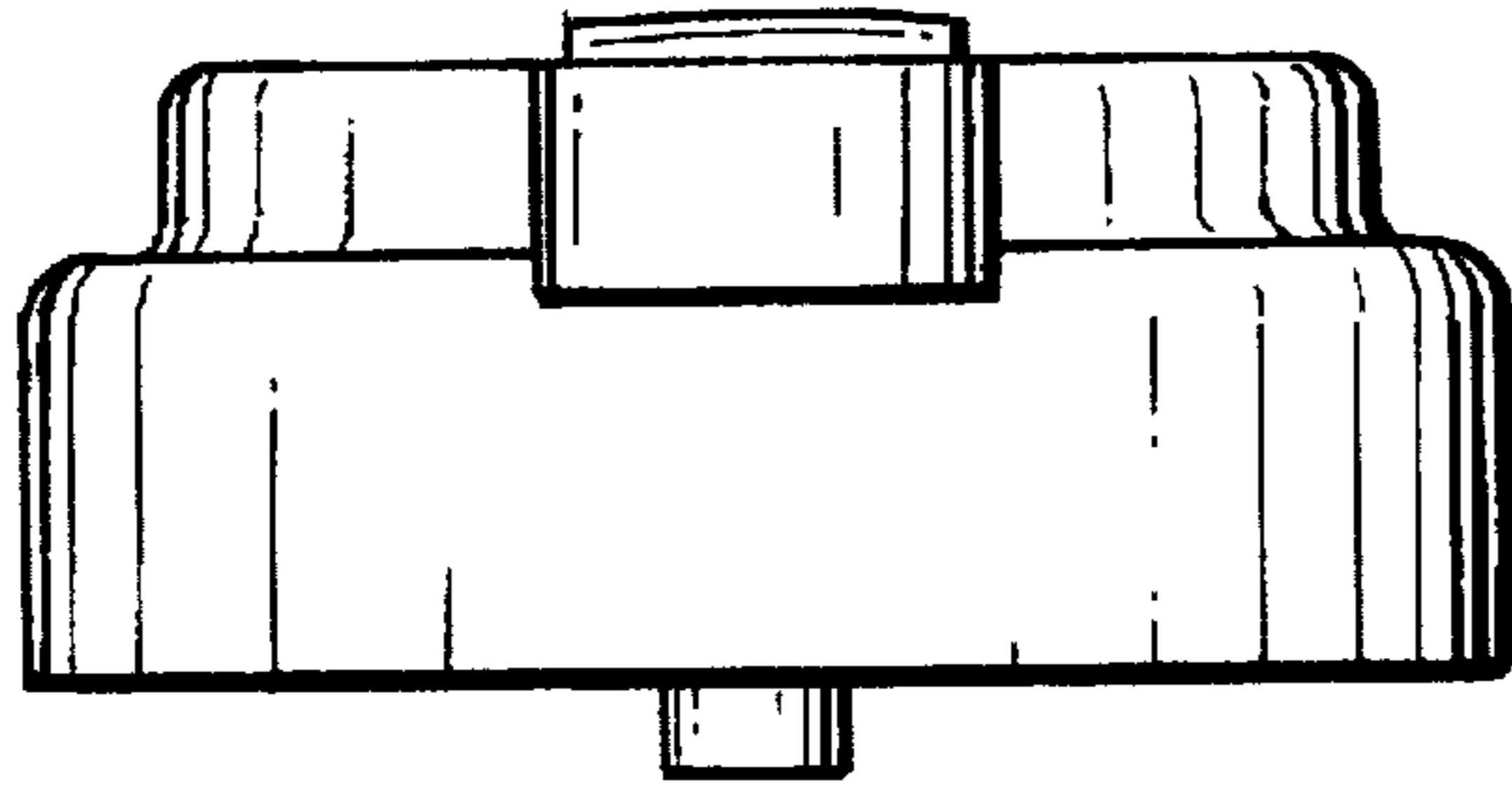


FIG. 4

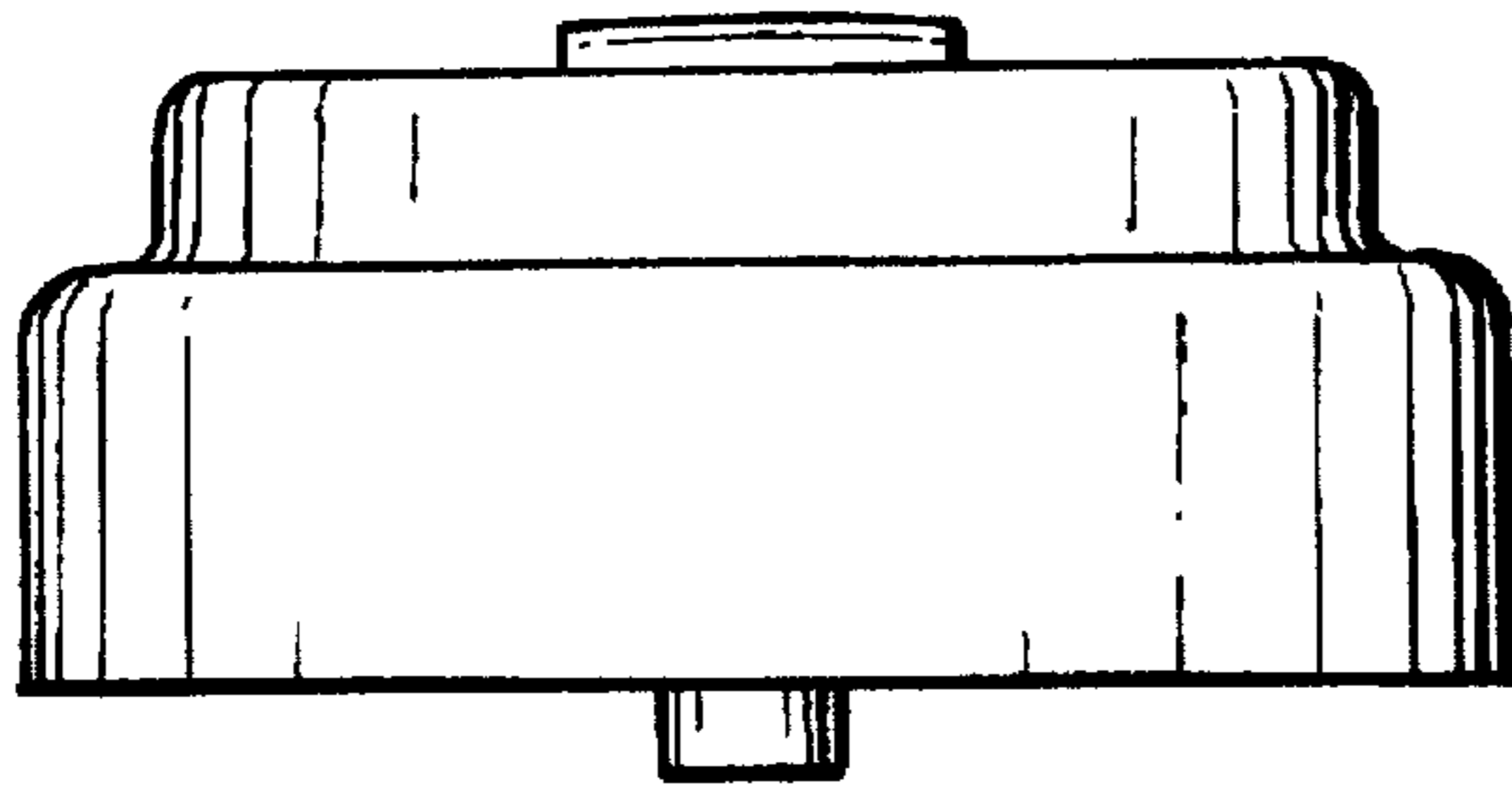


FIG. 5

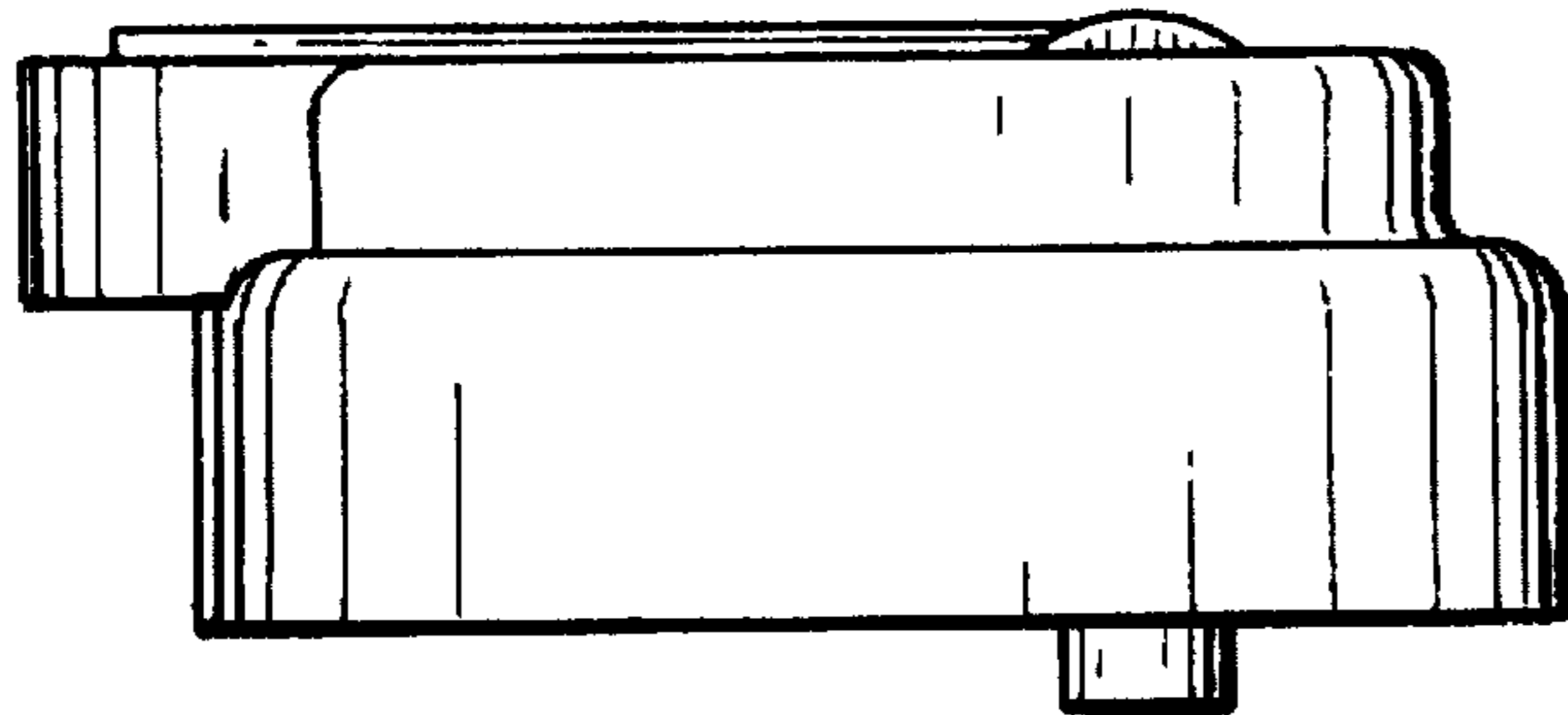


FIG. 6

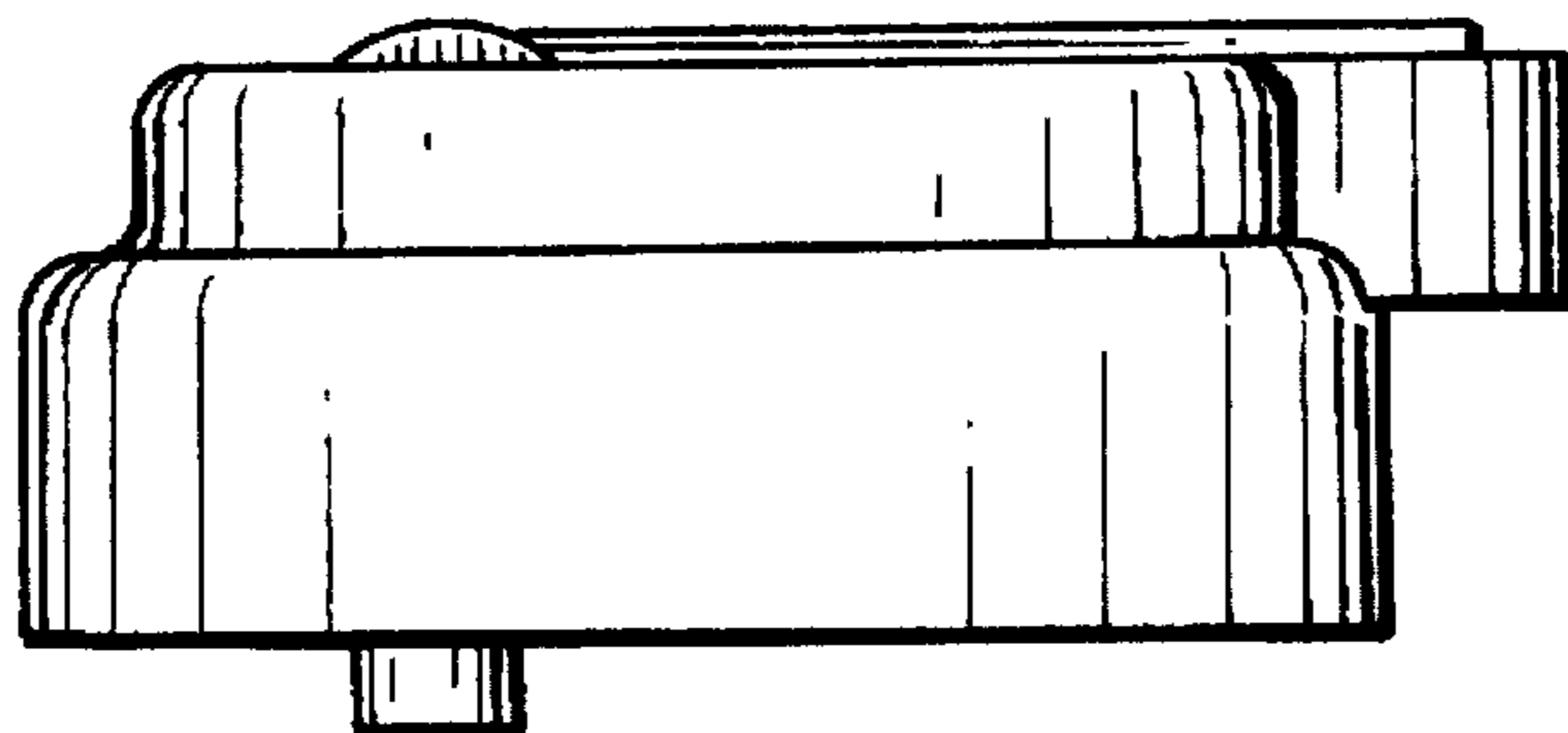


FIG. 7



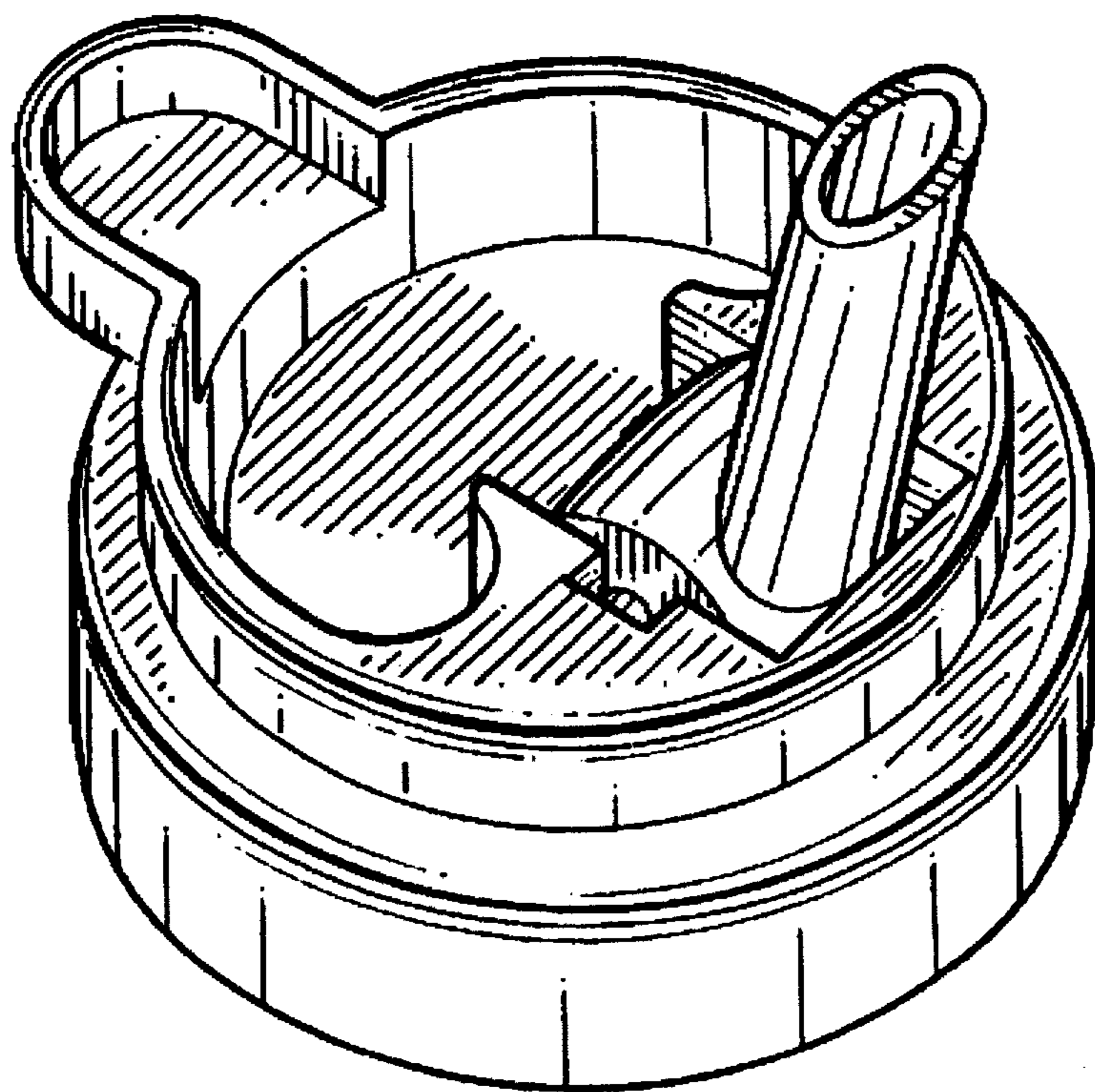


FIG. 8