



US00D384581S

United States Patent [19]
Bethea

[11] **Patent Number: Des. 384,581**
[45] **Date of Patent: **Oct. 7, 1997**

[54] **THERMAL SERVING TRAY**
[76] **Inventor: Wilhelmina Bethea, 468 Warren St.,
Apt. 2, Brooklyn, N.Y. 11217**
[**] **Term: 14 Years**

3,511,433 5/1970 Andrews et al. D9/423 X
4,298,133 11/1981 Davis 220/659 X
5,213,256 5/1993 Cyr 229/904 X
5,388,714 2/1995 Zutler 220/4.24

Primary Examiner—M. N. Pandozzi

[21] **Appl. No.: 59,435**
[22] **Filed: Sep. 11, 1996**

[57] **CLAIM**

The ornamental design for a thermal serving tray, as shown and described.

[51] **LOC (6) Cl. 09-07**
[52] **U.S. Cl. D9/423; D9/432; D7/629**
[58] **Field of Search D9/423, 432; D7/629,
D7/549, 553, 538, 550; 270/4.24, 326,
659; 279/904**

DESCRIPTION

FIG. 1 is a front elevational view of the thermal serving tray showing my new design;
FIG. 2 is a rear elevational view thereof;
FIG. 3 is a right side elevational view thereof;
FIG. 4 is a left side elevational view thereof;
FIG. 5 is a top plan view thereof;
FIG. 6 is a bottom plan view thereof; and,
FIG. 7 is a cross-sectional view thereof taken vertically through the midplane at line 7—7 of FIG. 2.

[56] **References Cited**

U.S. PATENT DOCUMENTS

D. 240,802 8/1976 Congleton D9/423
D. 332,917 2/1993 McDevitt et al. D9/423
D. 364,563 11/1995 Miller et al. D9/423
D. 371,962 7/1996 Petruzzi D9/432 X

1 Claim, 4 Drawing Sheets

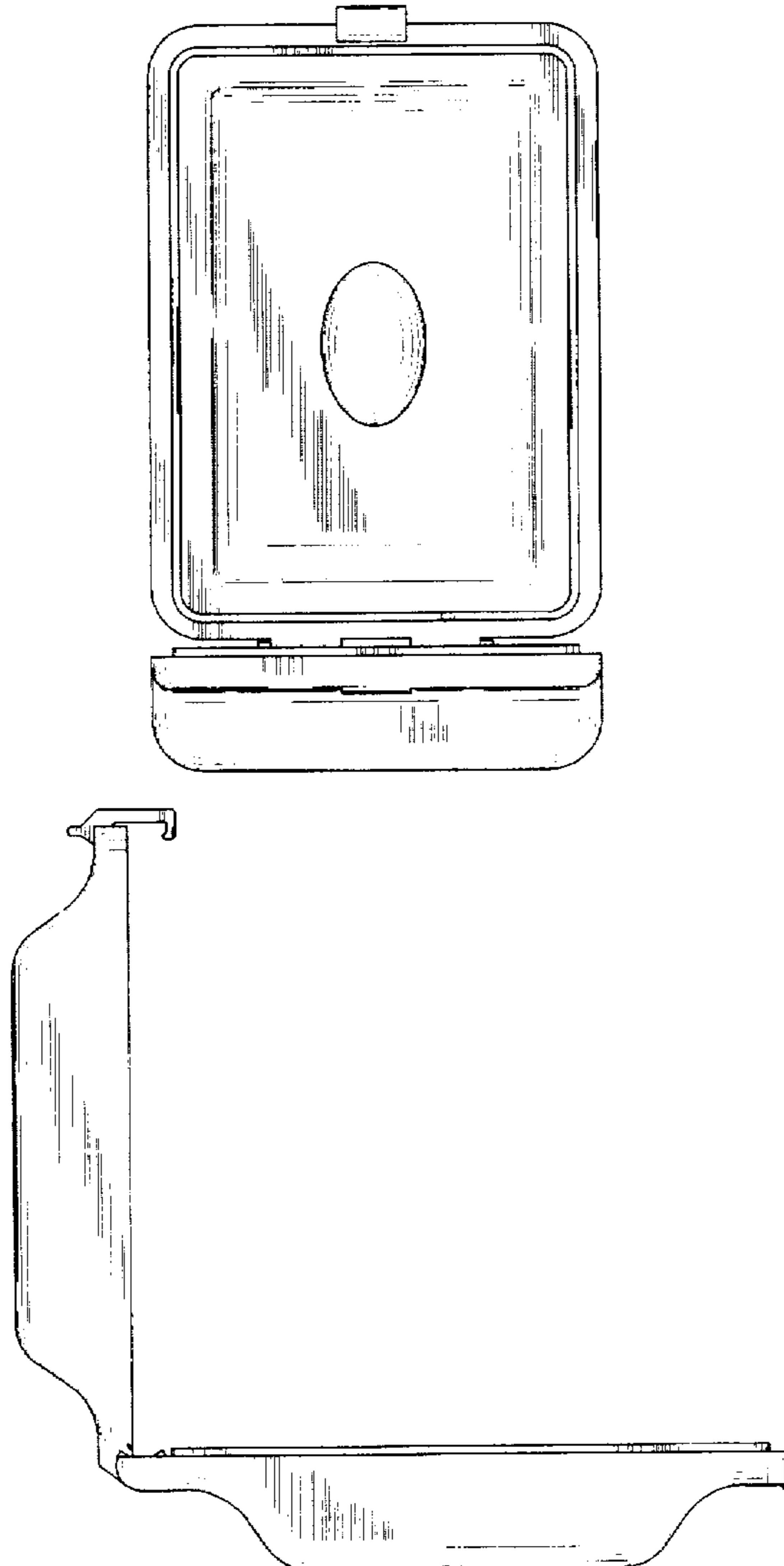


FIG. 1

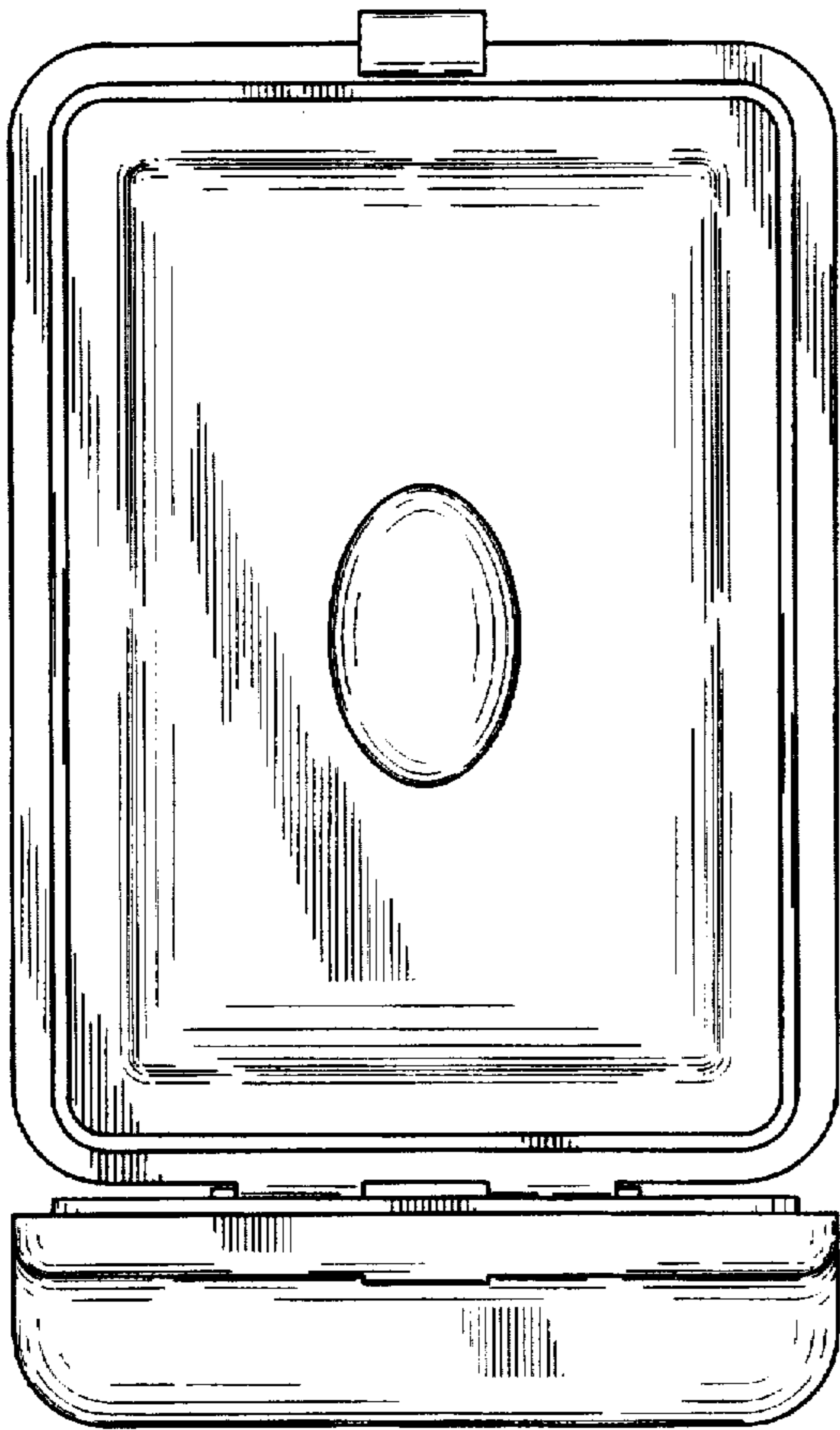
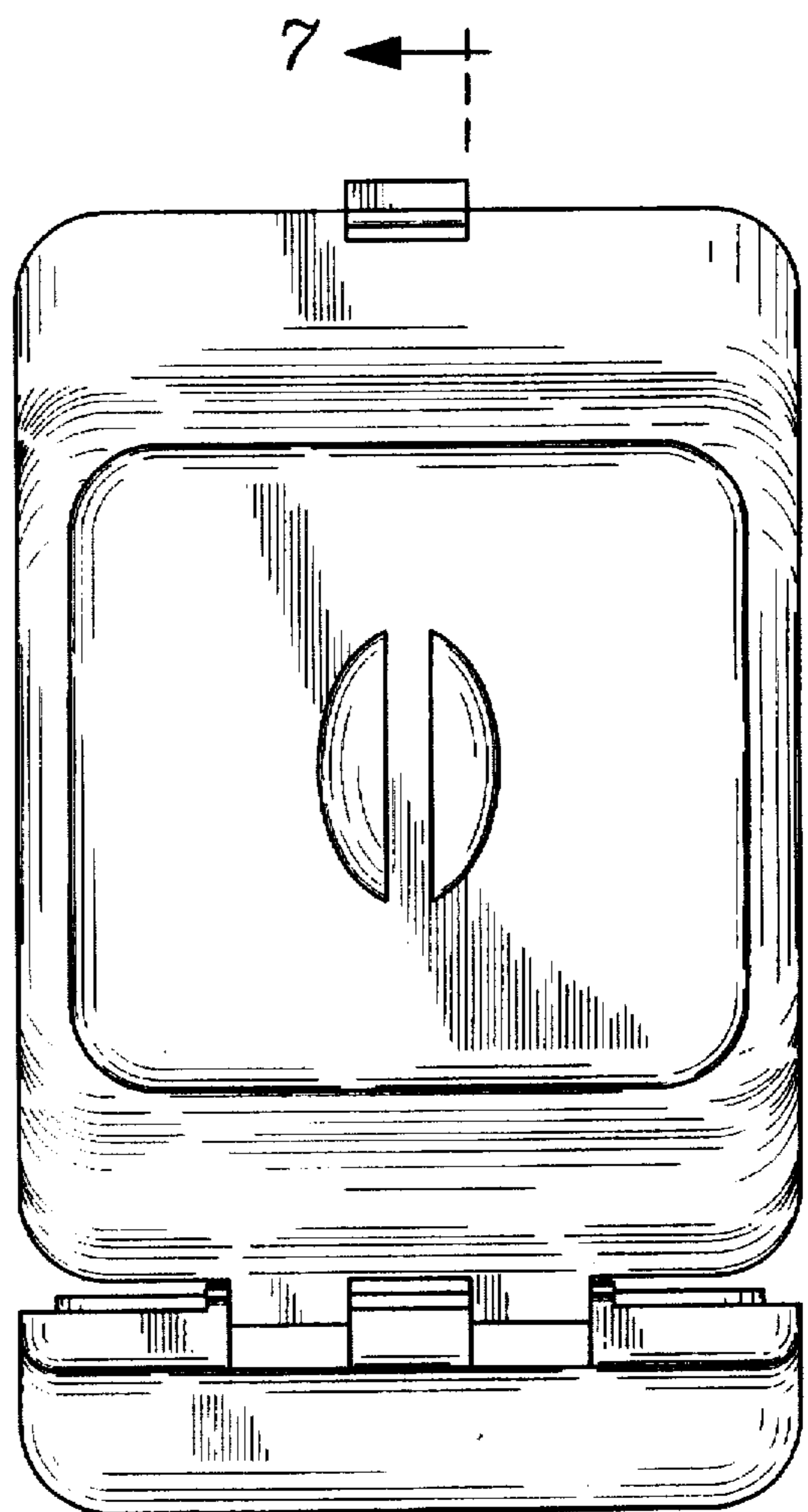


FIG. 2



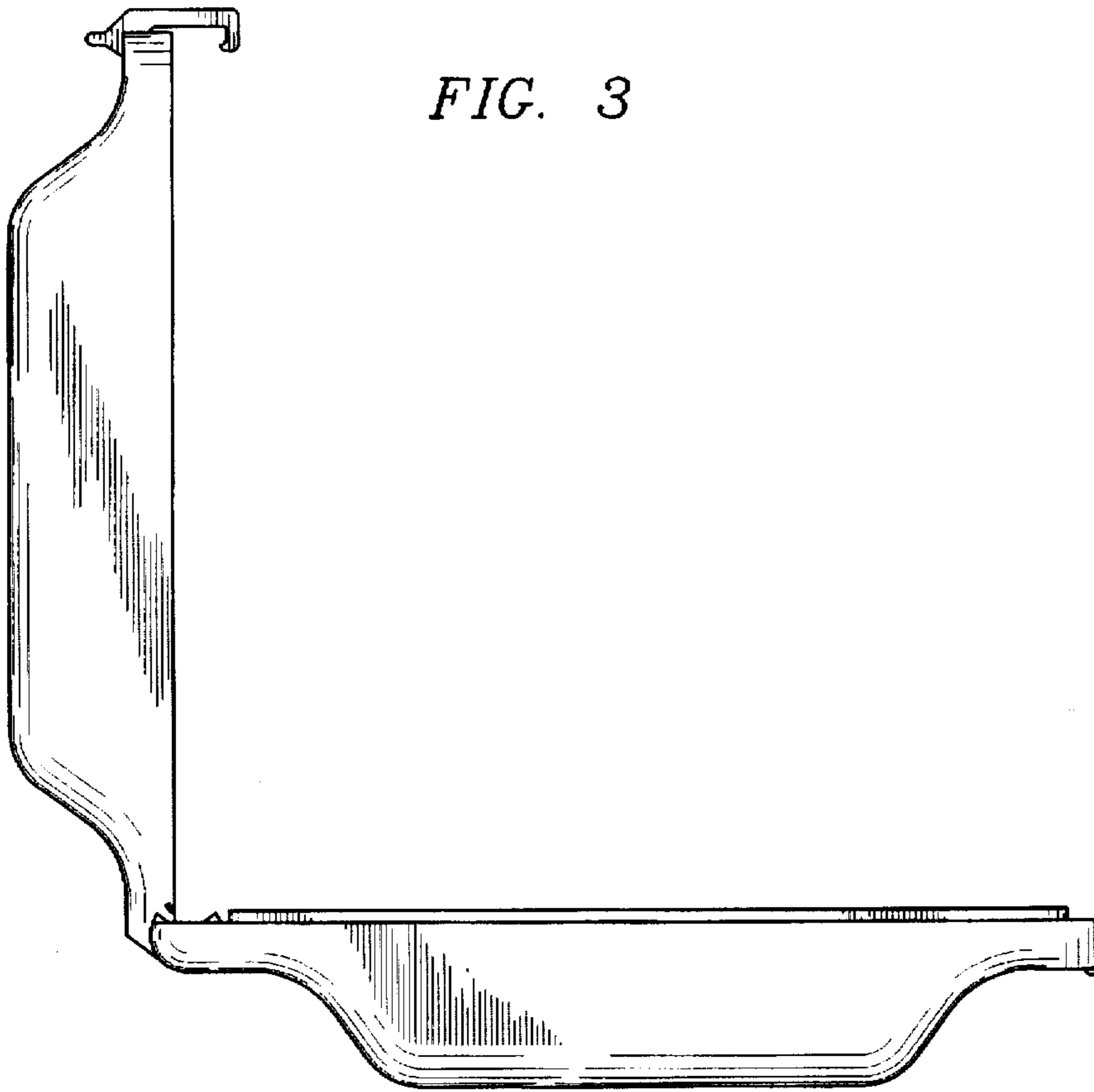


FIG. 3

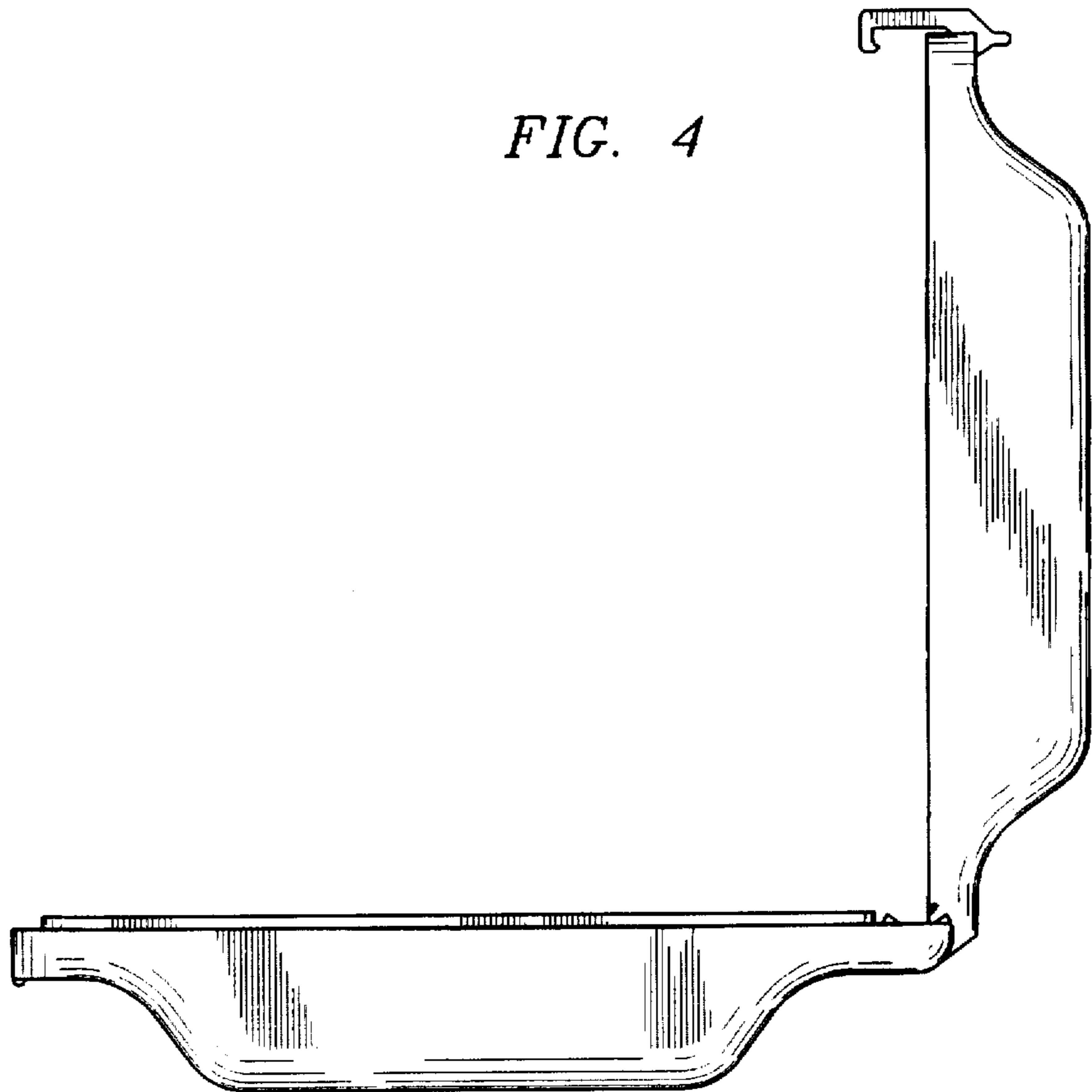


FIG. 4

FIG. 5

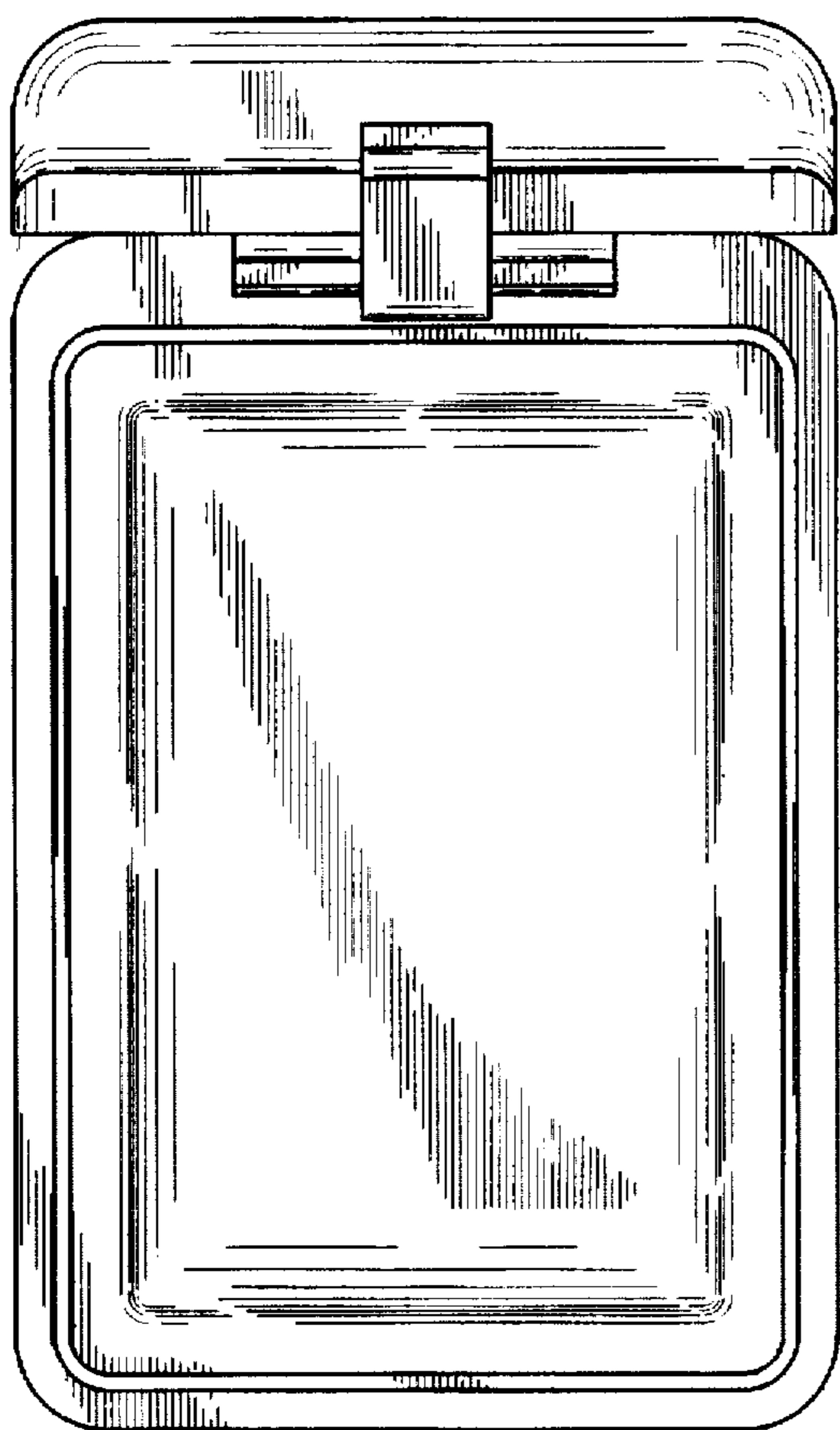
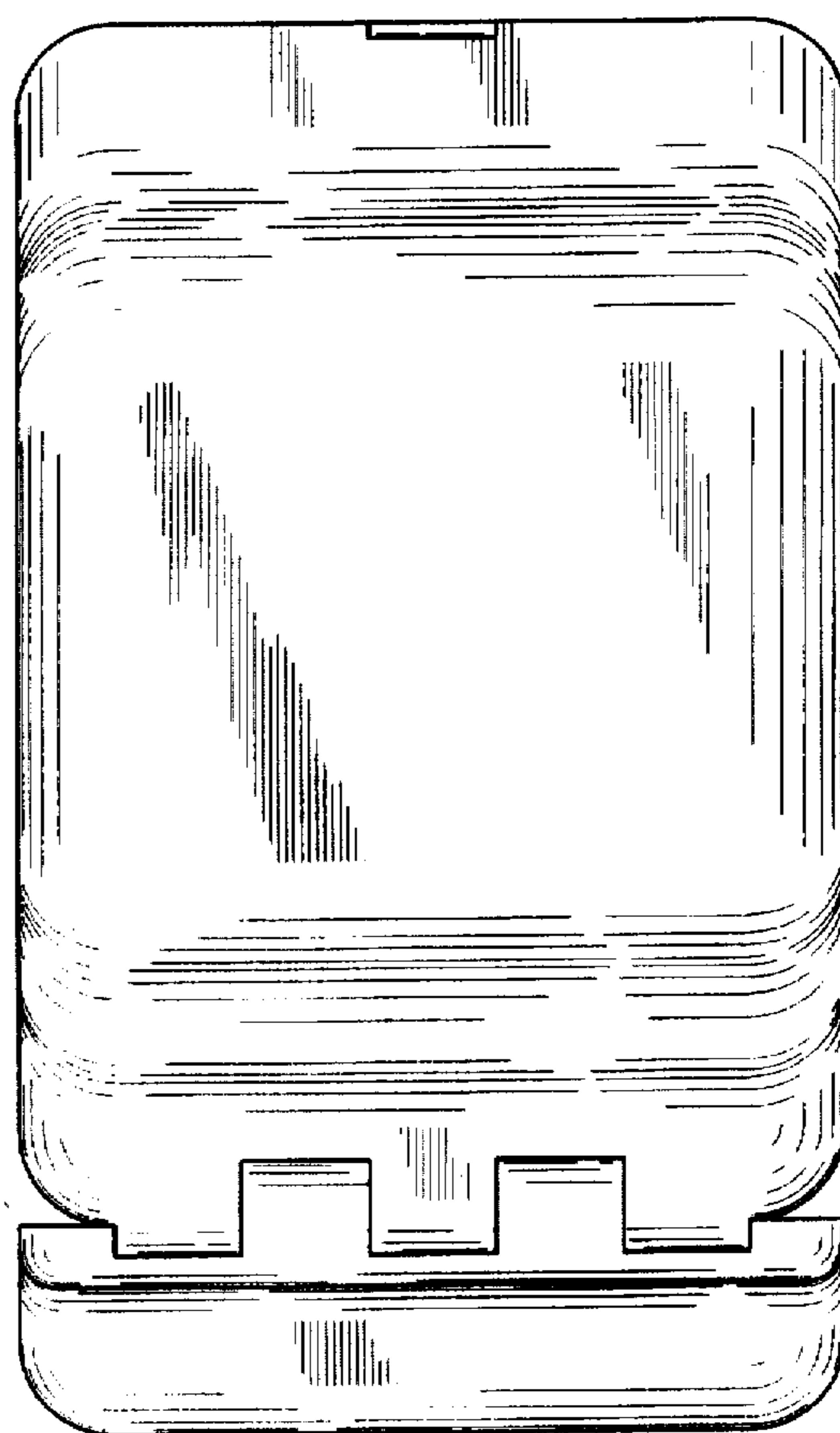


FIG. 6



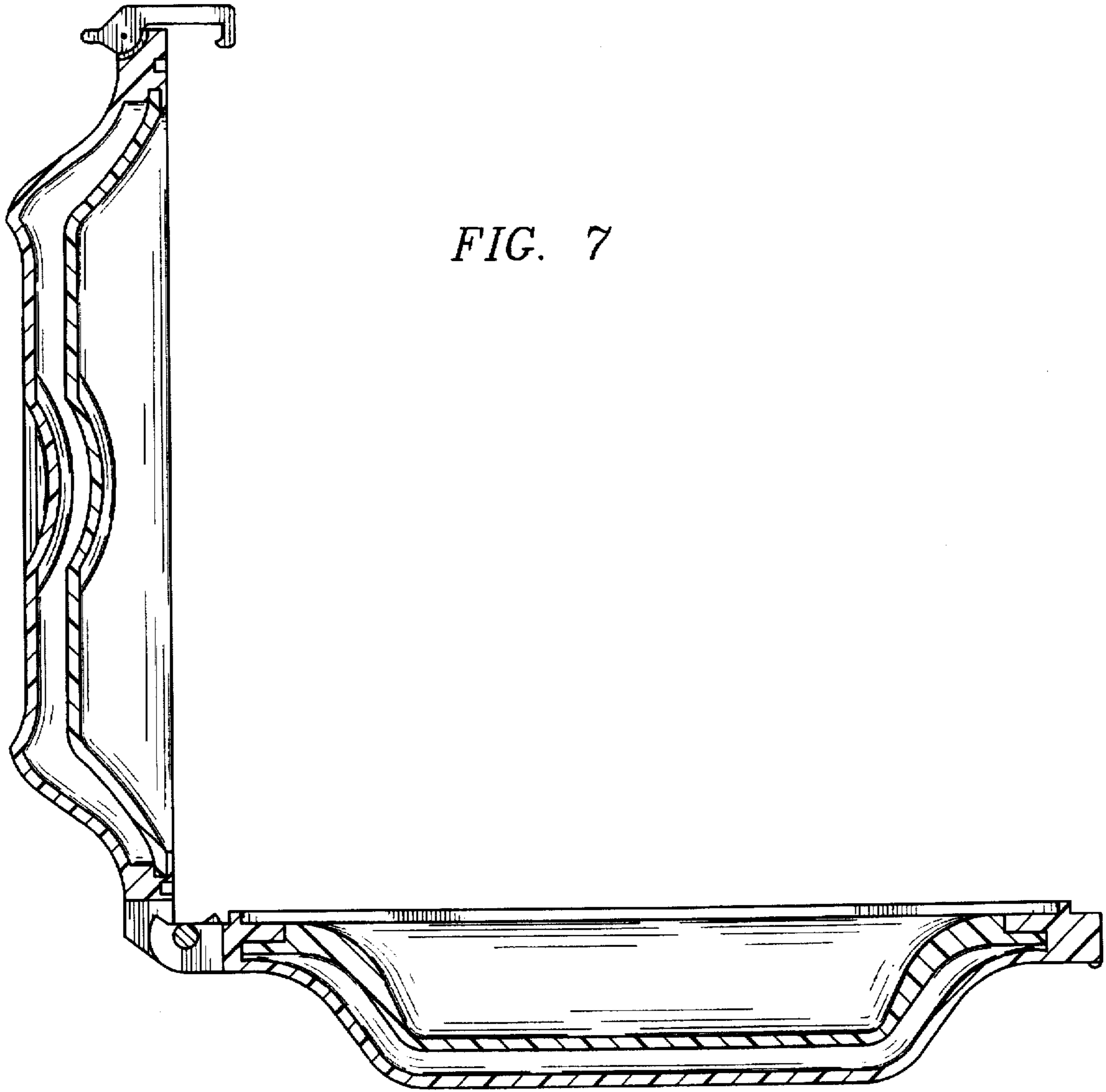


FIG. 7