



US00D384580S

United States Patent [19]

Fernandes et al.

[11] Patent Number: **Des. 384,580**

[45] Date of Patent: ****Oct. 7, 1997**

[54] **COMBINED CONTAINER WITH MOUNTED COMPACT DISC HOLDER**

[75] Inventors: **Leonard M. Fernandes**, Huntington; **Pen Cheong Loo**, Norwalk, both of Conn.

[73] Assignee: **Printlink Publishers, Inc.**, Monroe, Conn.

[**] Term: **14 Years**

[21] Appl. No.: **53,952**

[22] Filed: **May 2, 1996**

[51] LOC (6) Cl. **09-07**

[52] U.S. Cl. **D9/418; D9/337**

[58] Field of Search D9/415, 418, 432, D9/423, 420, 337; 206/308.1-308.3, 311, 312, 387.14, 232; D6/407, 396; D14/120, 121, 136; D3/218

[56] References Cited

U.S. PATENT DOCUMENTS

- D. 337,005 7/1993 Culverhouse .
- D. 351,513 10/1994 Kreppin D6/407
- D. 358,055 5/1995 Long et al. D6/407 X
- D. 359,861 7/1995 Hesener et al. .
- D. 360,360 7/1995 Kiolbasa D6/415 X
- D. 366,210 1/1996 McConner D9/423
- D. 369,105 4/1996 Baker et al. D6/346 X
- 3,245,691 4/1966 Gorman .
- 3,745,055 7/1973 Gorman .
- 4,433,780 2/1984 Ellis .
- 4,903,829 2/1990 Clemens 206/308.1
- 5,253,751 10/1993 Wipper 206/308.1 X
- 5,269,409 12/1993 Brandt et al. .
- 5,284,243 2/1994 Gelardi et al. .
- 5,366,073 11/1994 Turrentine et al. 206/308.1 X

- 5,458,235 10/1995 Stone .
- 5,462,158 10/1995 Kramer .
- 5,477,960 12/1995 Chen 206/308.1
- 5,573,120 11/1996 Kaufman et al. 206/308.1 X

FOREIGN PATENT DOCUMENTS

- 406073 1/1992 Japan .

OTHER PUBLICATIONS

Compact Disc Holder, date unknown.

Primary Examiner—Prabhakar G. Deshmukh
Attorney, Agent, or Firm—Ware, Fressola, Van Der Sluys & Adolphson LLP

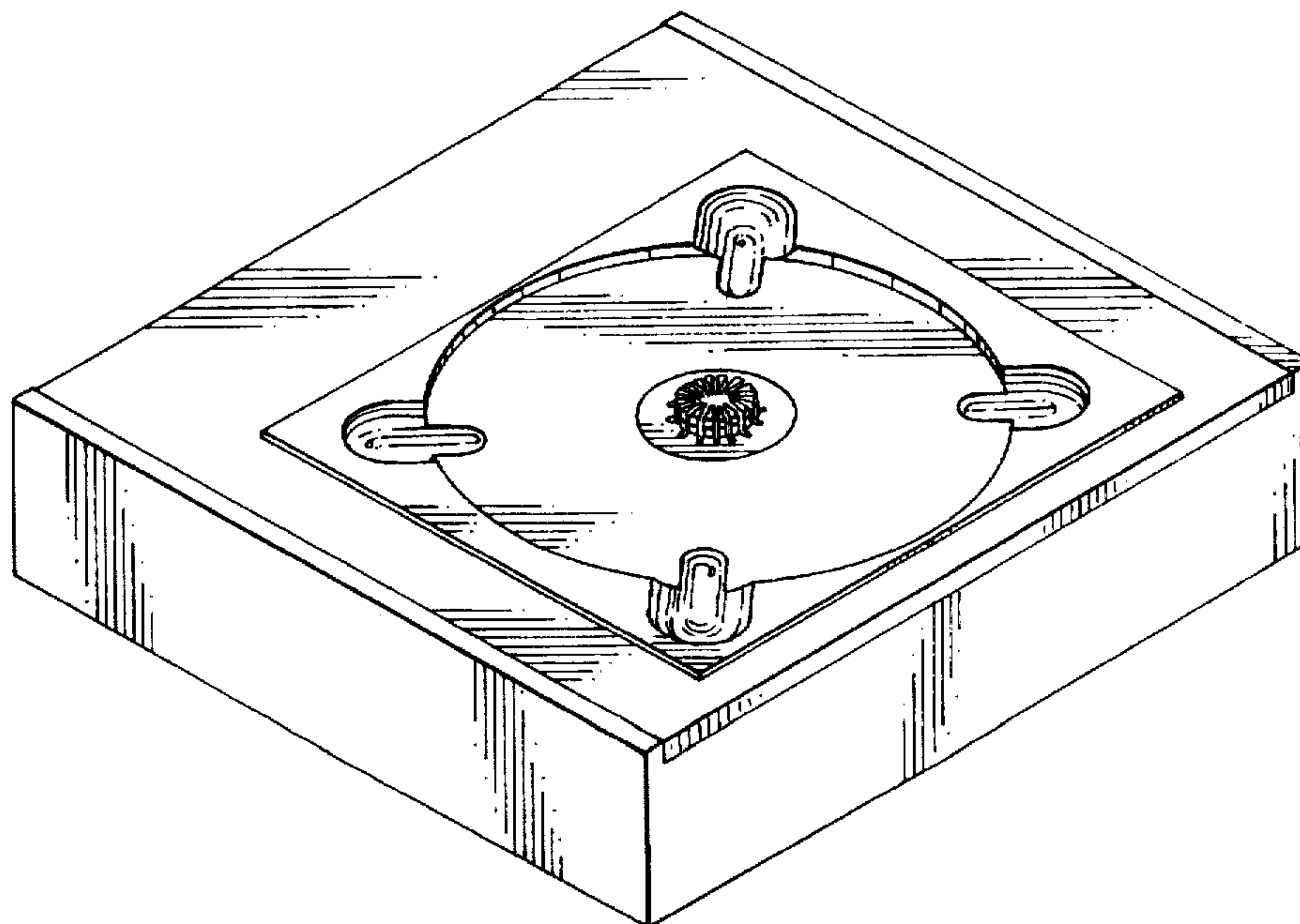
[57] CLAIM

The ornamental design of a combined container with mounted compact disc holder, as shown and described.

DESCRIPTION

FIG. 1 is a perspective view of a combined container with mounted compact disc holder showing our new design; FIG. 2 is a left side elevational view thereof; the right side elevational view being a mirror image thereof; FIG. 3 is a top plan view thereof; FIG. 4 is a front elevational view thereof; FIG. 5 is rear elevational view thereof; FIG. 6 is a bottom plan view thereof; FIG. 7 is a perspective view thereof; with the cover in an open position; FIG. 8 is a perspective view of a second embodiment of FIG. 1; and FIG. 9 is a perspective view of a third embodiment of FIG. 1. The corresponding undisclosed views of the embodiments FIG. 8 and FIG. 9 are similar to the views disclosed in FIGS. 2-7 of the first embodiment.

1 Claim, 6 Drawing Sheets



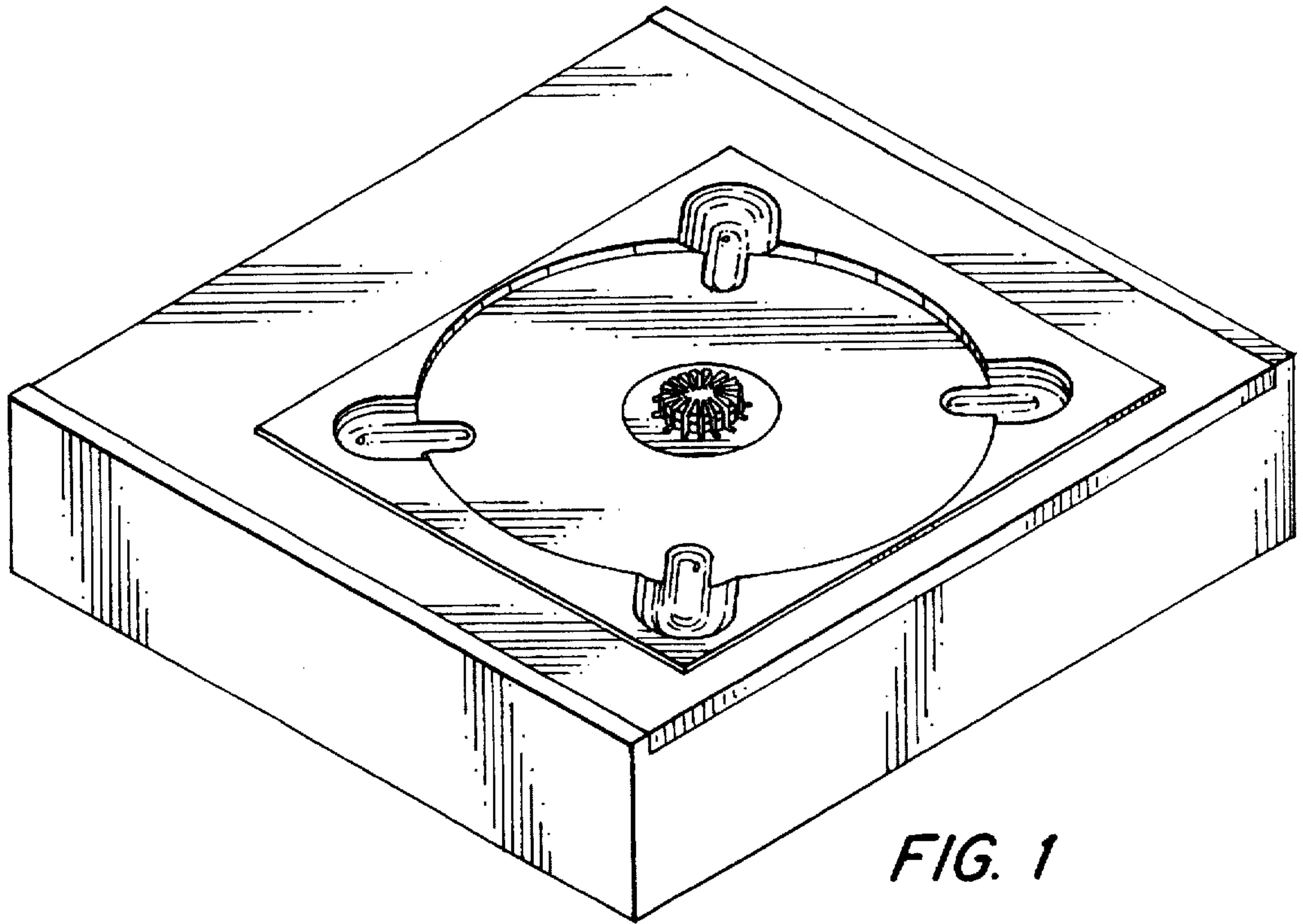


FIG. 1

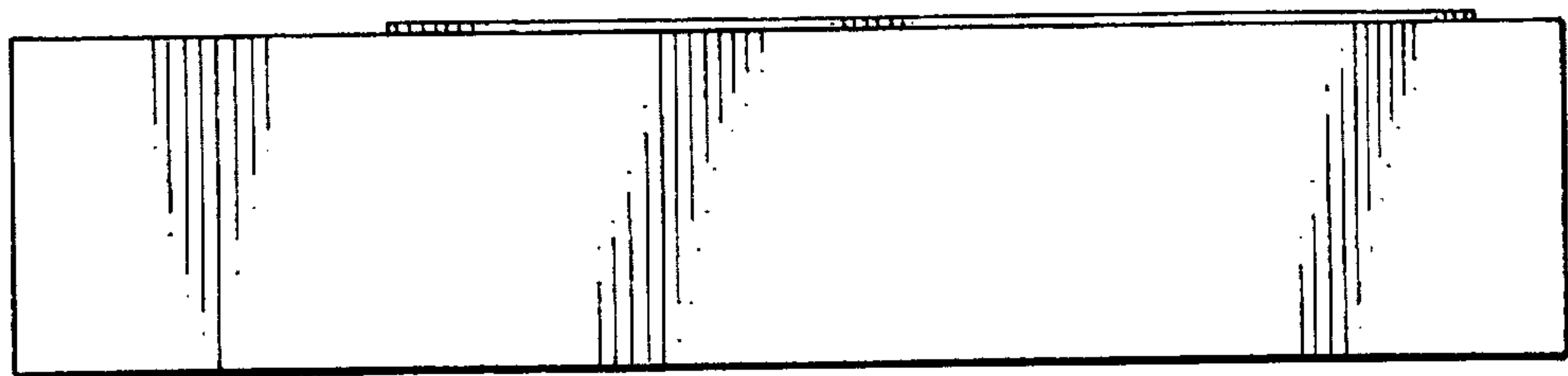


FIG. 2

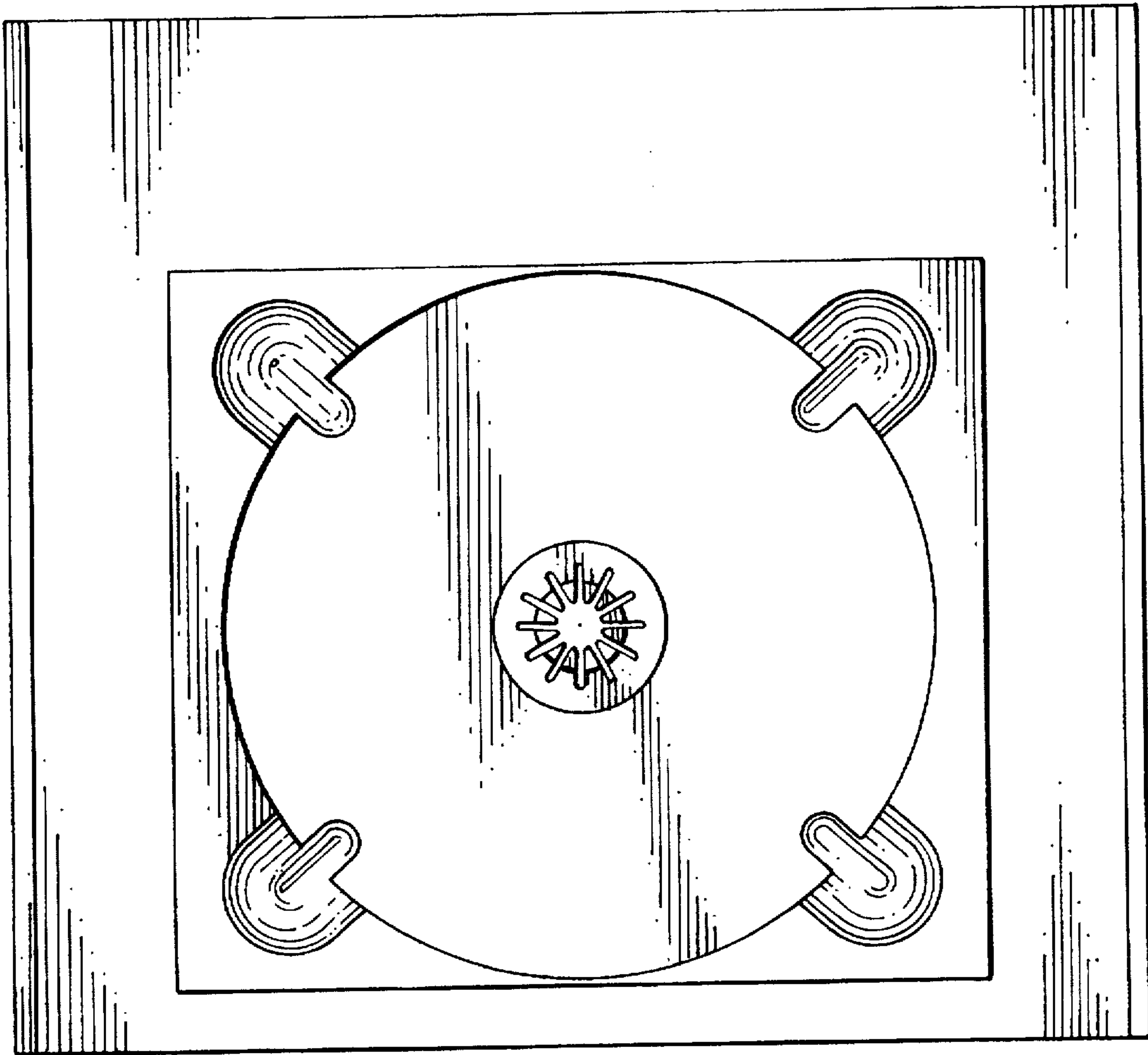


FIG. 3

FIG. 4

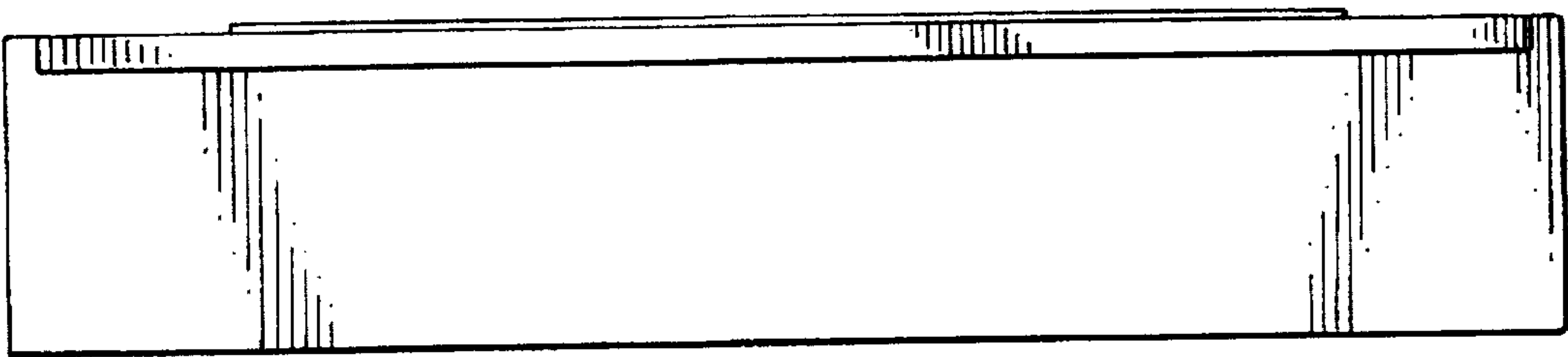
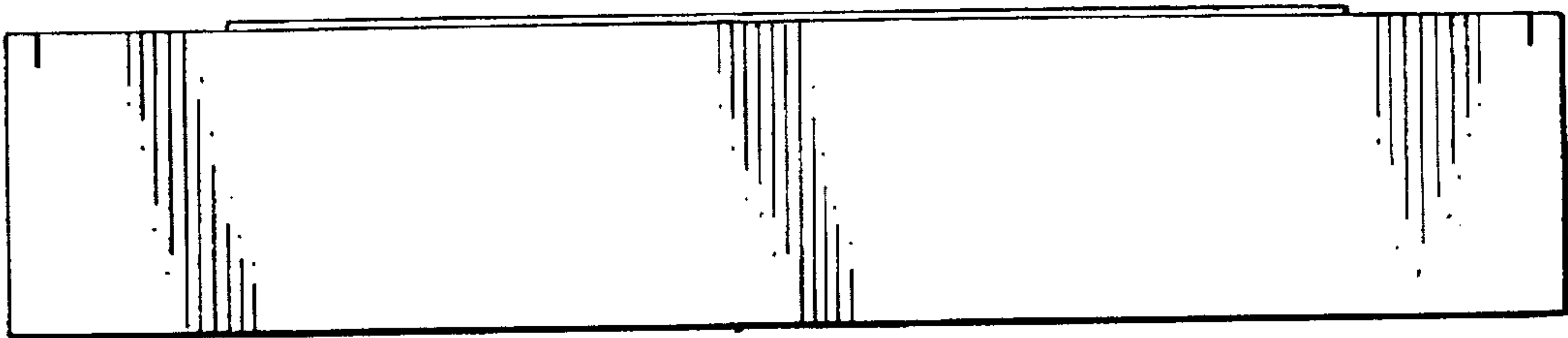


FIG. 5



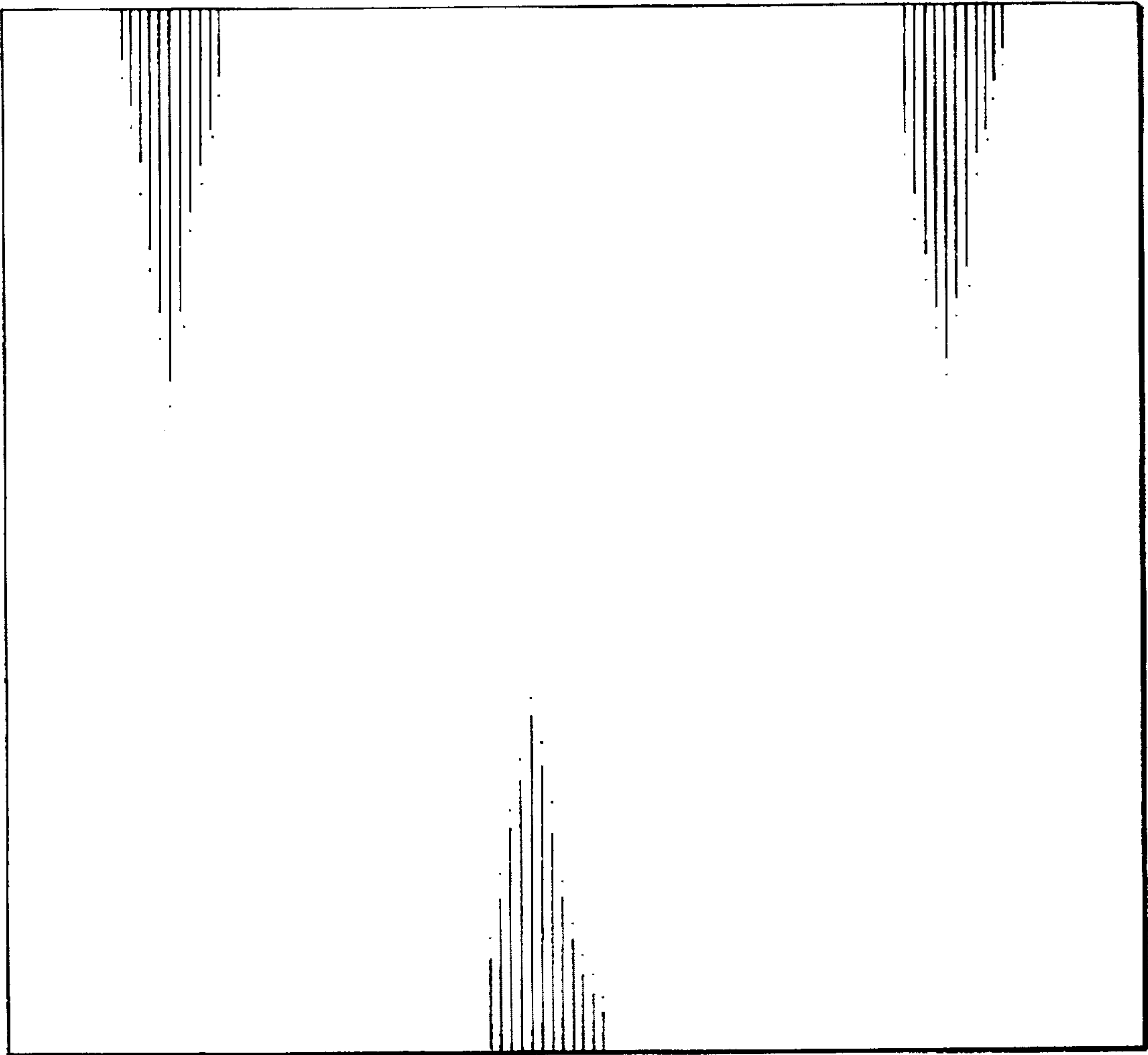
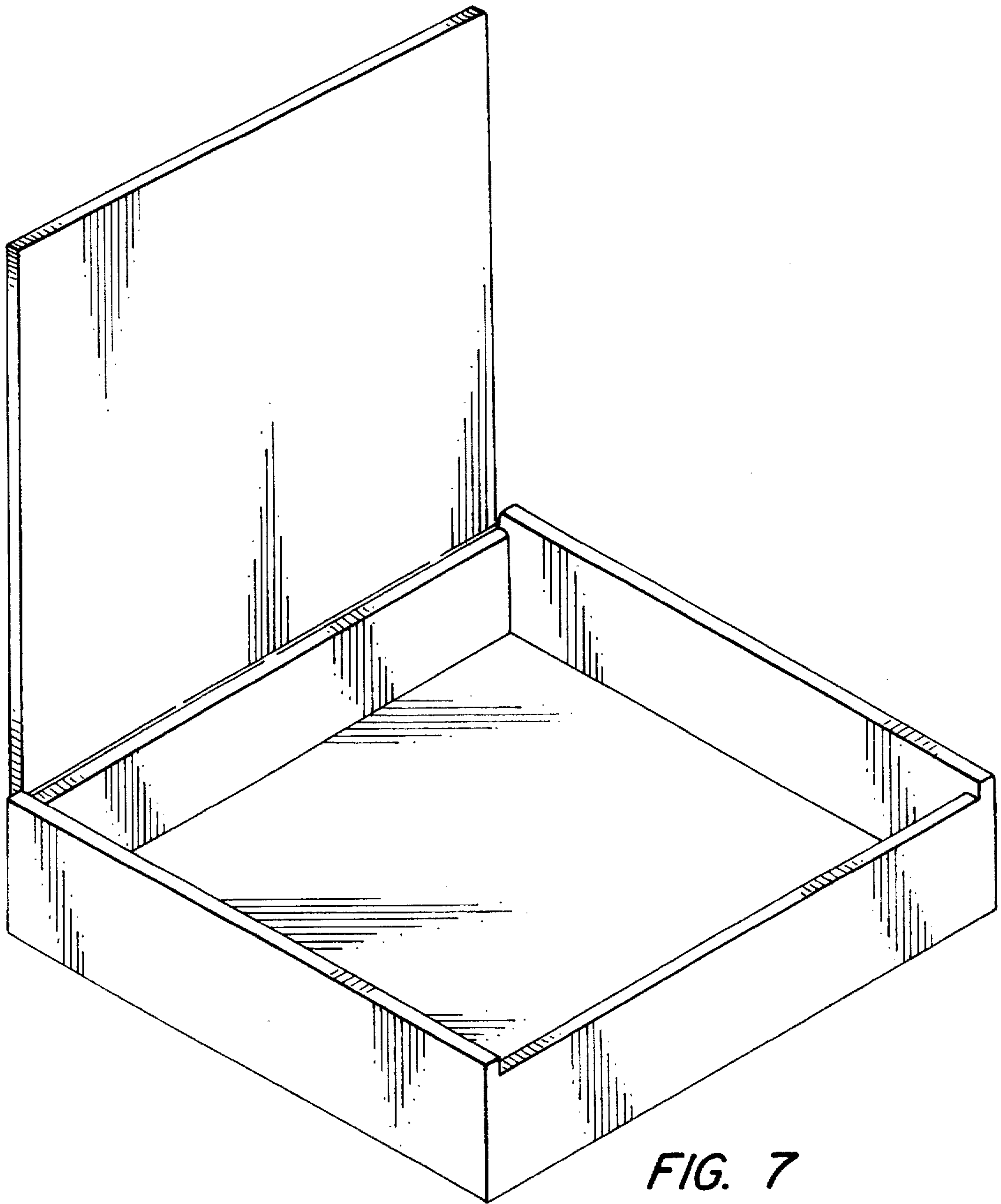


FIG. 6



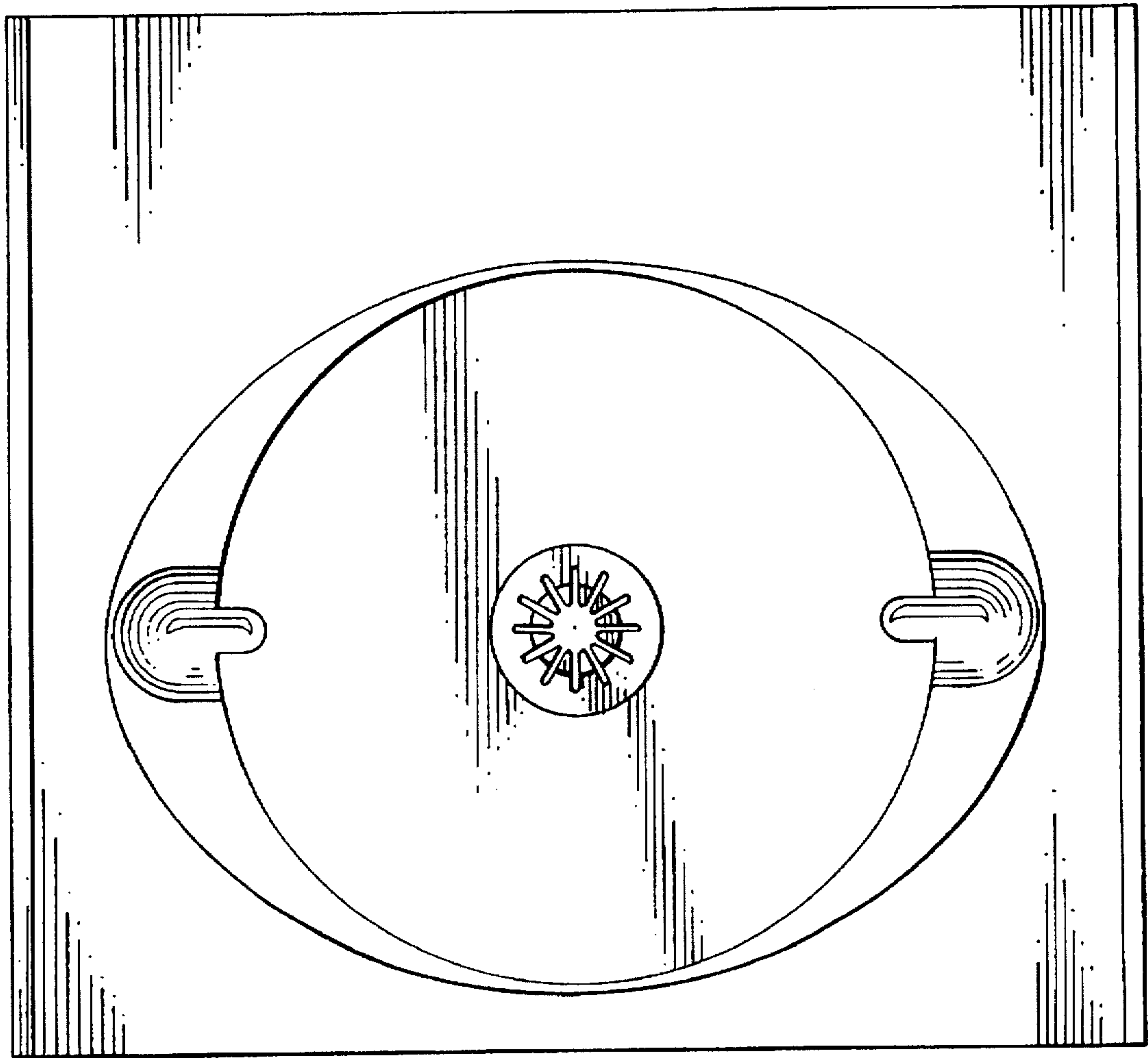


FIG. 8

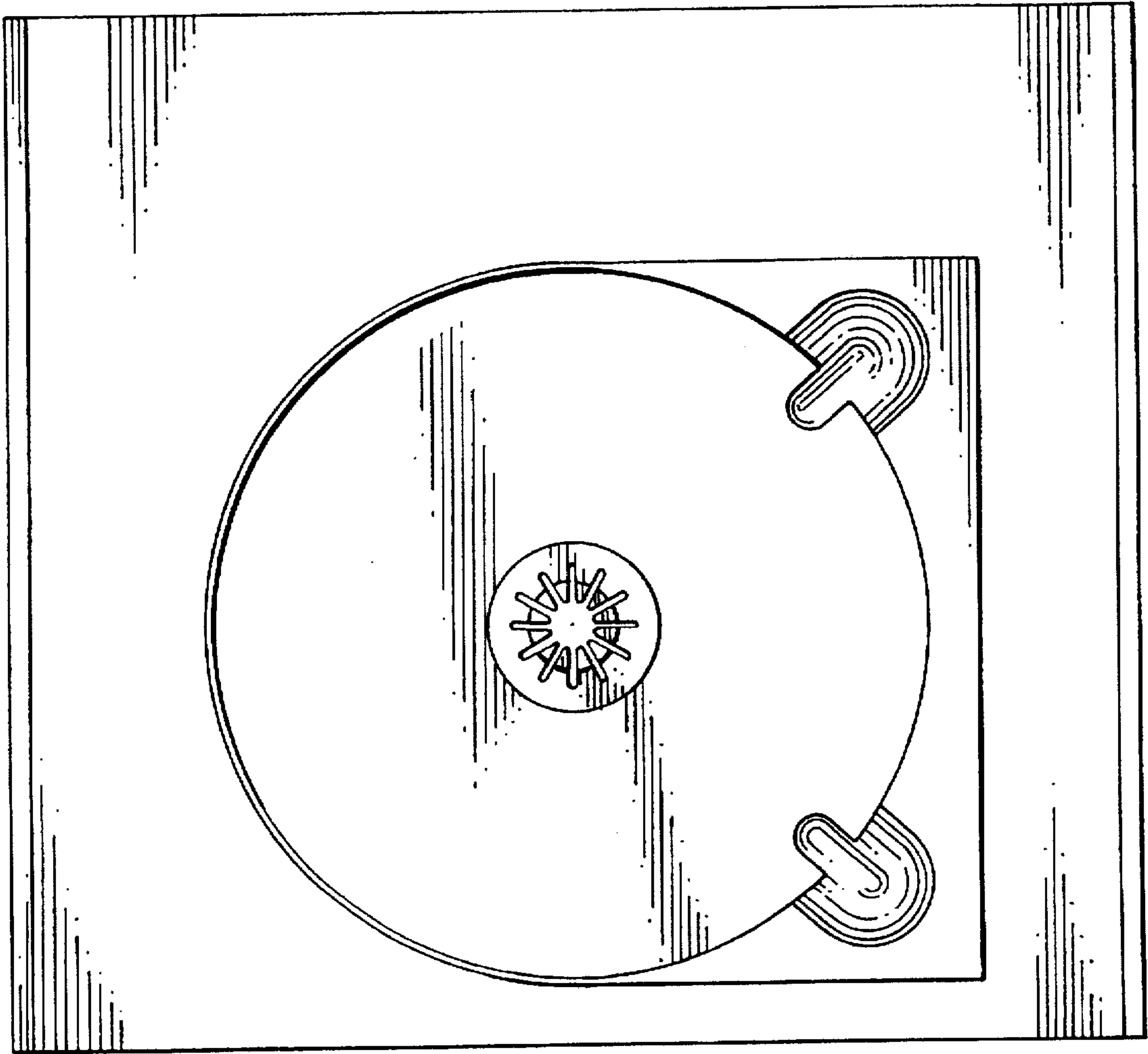


FIG. 9

UNITED STATES PATENT AND TRADEMARK OFFICE
CERTIFICATE OF CORRECTION

PATENT NO. : D384,580
DATED : October 7, 1997
INVENTOR(S) : Leonard M. Fernandes et al.

It is certified that error appears in the above-identified patent and that said Letters Patent is hereby corrected as shown below:

Inventor "Pen Cheong Loo" should be --Peng Cheong Loo--.

Signed and Sealed this
Sixteenth Day of December, 1997



Attest:

BRUCE LEHMAN

Attesting Officer

Commissioner of Patents and Trademarks