



US00D384578S

# United States Patent [19]

[11] Patent Number: **Des. 384,578**

Wangu et al.

[45] Date of Patent: **\*\*Oct. 7, 1997**

[54] **UNIT DOSE MEDICINE PACKAGE**

[75] Inventors: **Manoj K. Wangu**, Wexford; **Allen D. Bowers**, Pittsburgh, both of Pa.

[73] Assignee: **Automated Healthcare, Inc.**, Pittsburgh, Pa.

[\*\*] Term: **14 Years**

[21] Appl. No.: **57,817**

[22] Filed: **Aug. 1, 1996**

[51] LOC (6) Cl. .... **09-07**

[52] U.S. Cl. .... **D9/415; D9/341**

[58] Field of Search ..... **D9/415, 418, 341, D9/346, 432, 414, 337; 206/461-471, 806, 531, 539, 495, 828, 528**

[56] **References Cited**

**U.S. PATENT DOCUMENTS**

D. 262,190	12/1981	Stanton	.....	D9/415
D. 313,554	1/1991	Clark, II	.....	D9/415
D. 329,017	9/1992	Goodale	.....	D9/415
D. 342,025	12/1993	Abraben et al.	.....	D9/341 X
D. 363,021	10/1995	Lombard	.....	D9/415
D. 364,739	12/1995	Okamoto et al.	.....	D9/415 X
3,931,885	1/1976	Nahill et al.	.....	206/44 R
3,933,245	1/1976	Mullen	.....	206/498
4,211,329	7/1980	Braverman	.....	206/534
4,371,080	2/1983	Haines	.....	206/531
4,429,792	2/1984	Machbitz	.....	206/531

4,574,954	3/1986	Reid	.....	206/471 X
4,739,883	4/1988	Mohs et al.	.....	206/470
4,838,425	6/1989	O'Brien et al.	.....	206/531
4,850,488	7/1989	Humbert	.....	206/459
5,033,616	7/1991	Wyser	.....	206/333
5,150,793	9/1992	Tannenbaum	.....	206/531
5,169,001	12/1992	Scheibel	.....	206/425
5,244,091	9/1993	Tannenbaum	.....	206/531 X

**OTHER PUBLICATIONS**

Packaging, Aug. 1984, p. 25.

Claritin-D Blister Pack bearing a Jun. 1995 expiration date.

*Primary Examiner*—Prabhakar G. Deshmukh

*Attorney, Agent, or Firm*—Buchanan Ingersoll, P.C.; Lynn J. Alstadt

[57] **CLAIM**

The ornamental design for a unit dose medicine package, as shown and described.

**DESCRIPTION**

FIG. 1 is a perspective view of an unit dose medicine package showing our new design; FIG. 2 is a front elevational view thereof; FIG. 3 is a top plan view thereof; FIG. 4 is a bottom plan view thereof; FIG. 5 is a rear elevational view thereof; FIG. 6 is a left side elevational view thereof; and, FIG. 7 is right side elevational view thereof.

**1 Claim, 3 Drawing Sheets**

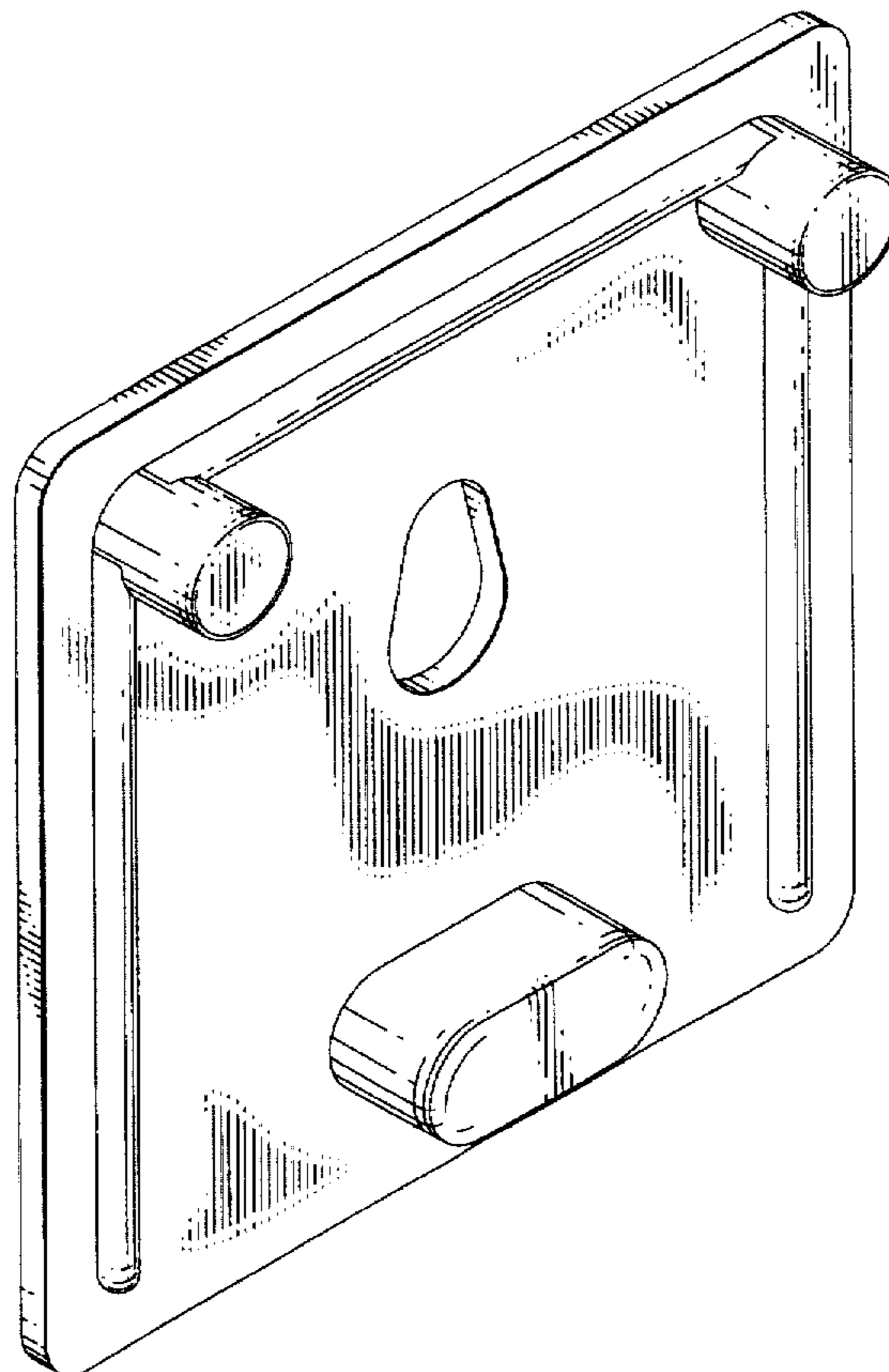


FIG. 1

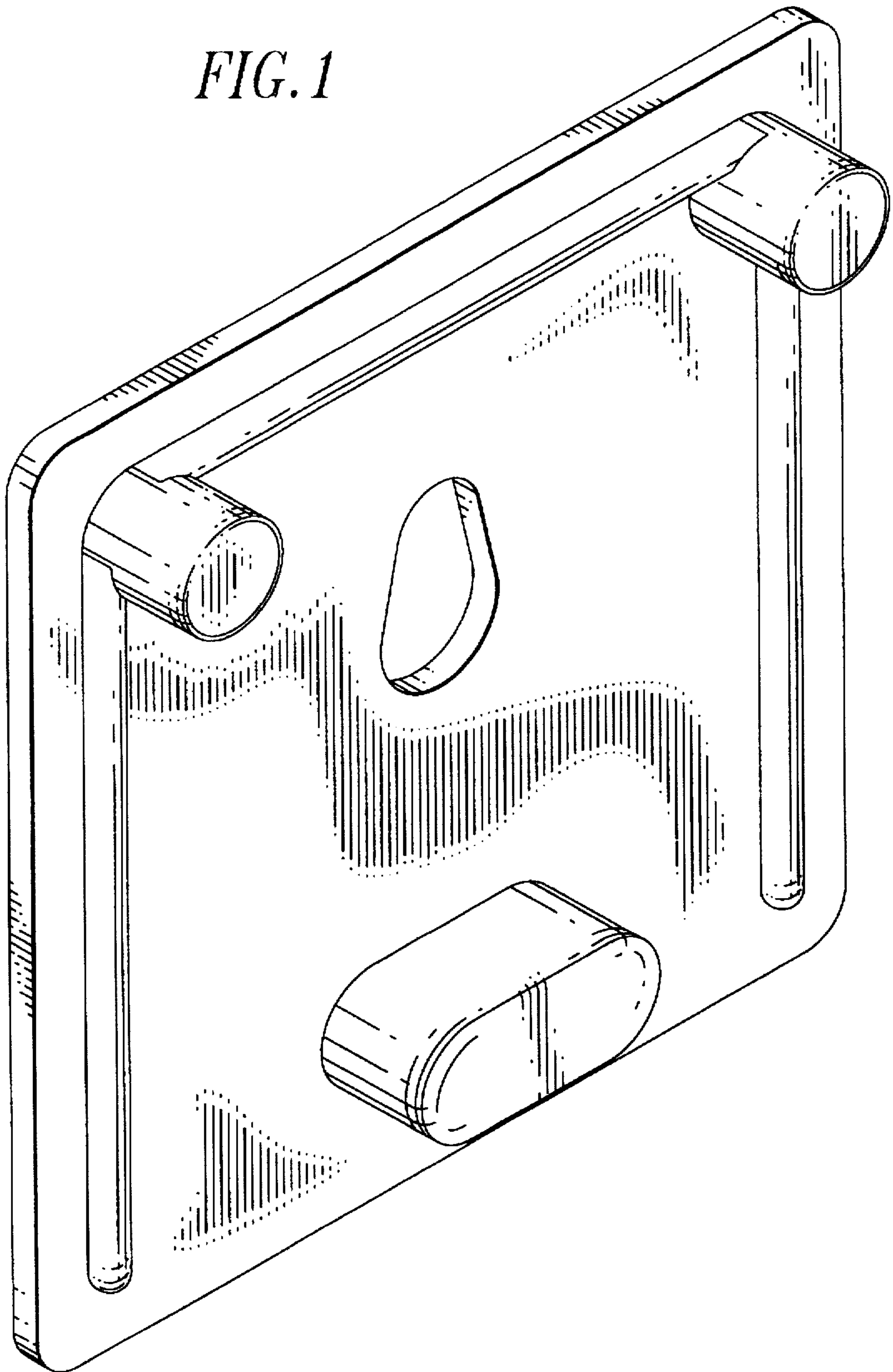


FIG. 3

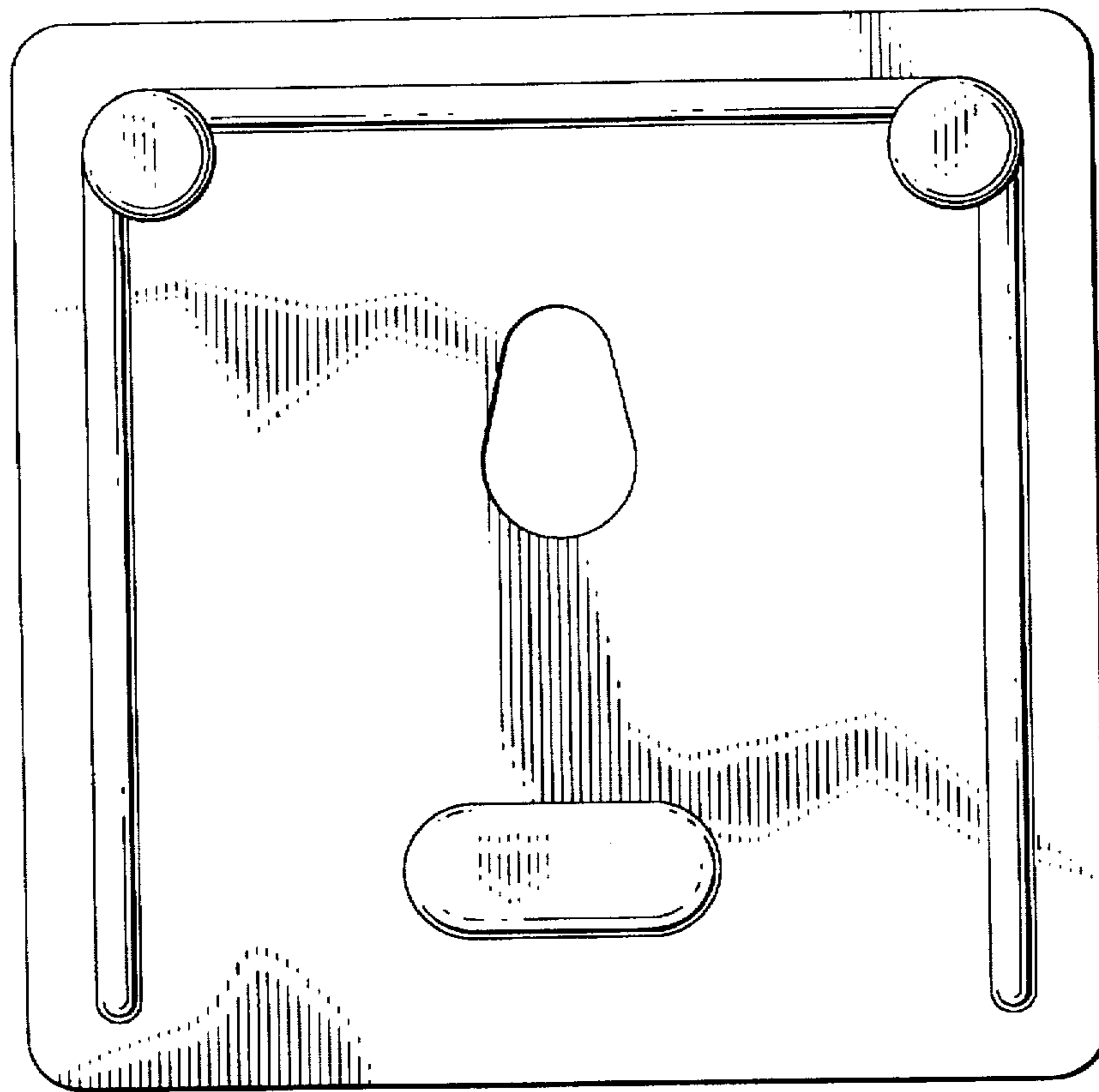
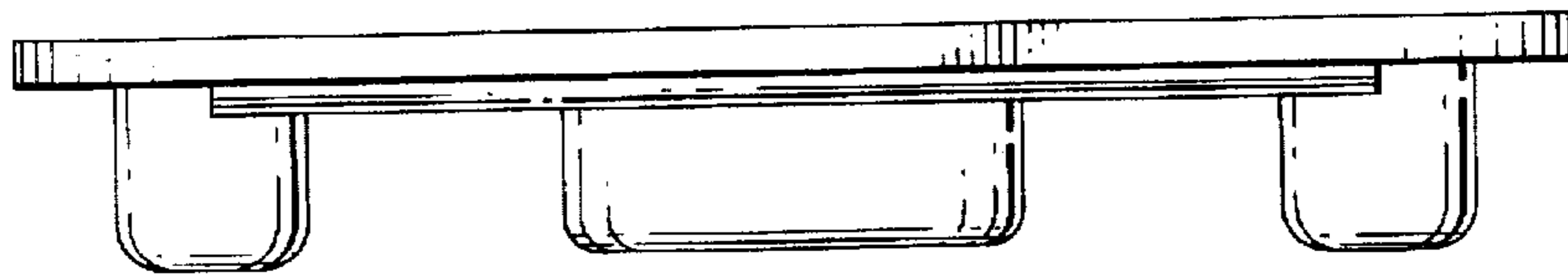


FIG. 2

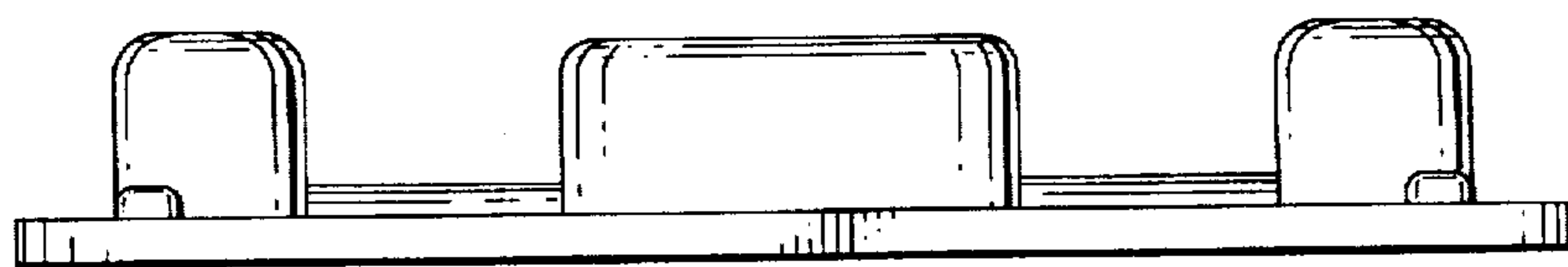


FIG. 4

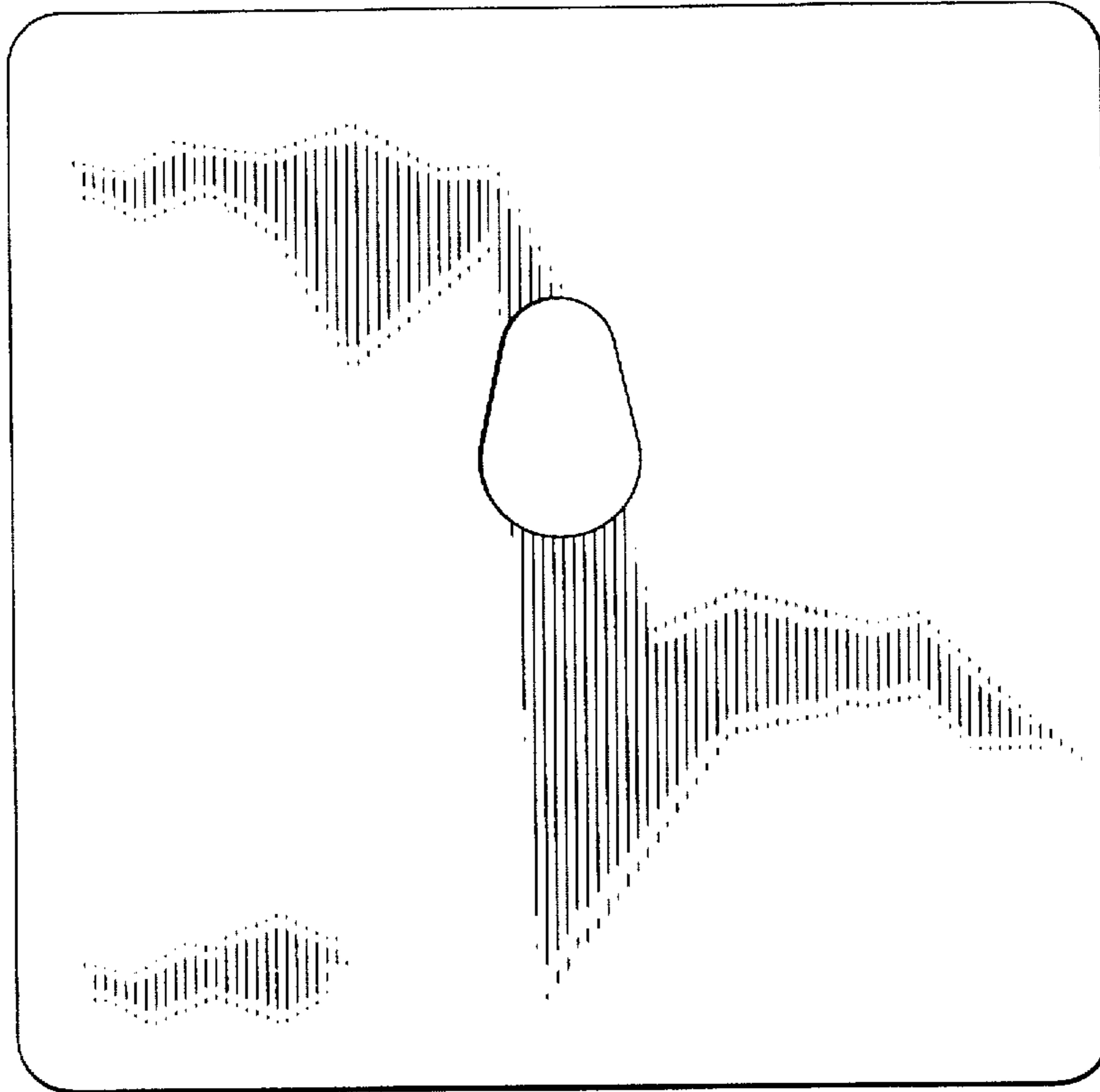


FIG. 5

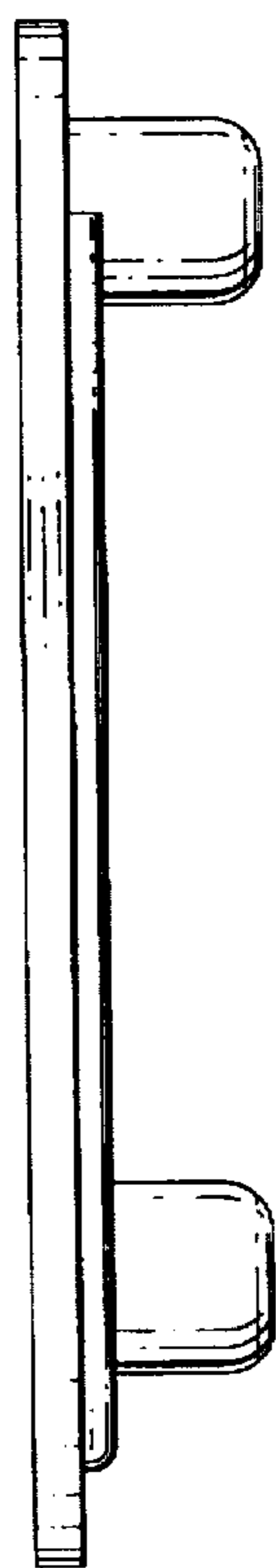


FIG. 6



FIG. 7