



US00D384576S

# United States Patent [19]

[11] Patent Number: **Des. 384,576**

Holder

[45] Date of Patent: **\*\*Oct. 7, 1997**

[54] **WALL MOUNTED HANGER FOR LAW ENFORCEMENT EQUIPMENT**

D. 330,824 11/1992 Kosten et al. .... D6/569  
D. 353,295 12/1994 Bodine ..... D6/553 X

[76] Inventor: **Danny Holder**, 8906 Joliet Ave.,  
Lubbock, Tex. 79423

*Primary Examiner*—Holly Baynham  
*Attorney, Agent, or Firm*—Harold H. Dutton, Jr.; Diane F. Liebman

[\*\*] Term: **14 Years**

### [57] CLAIM

[21] Appl. No.: **53,058**

The ornamental design for a wall mounted hanger for law enforcement equipment, as shown and described.

[22] Filed: **Apr. 16, 1996**

### DESCRIPTION

[51] LOC (6) Cl. .... **08-05**

[52] U.S. Cl. .... **D8/373**

[58] **Field of Search** ..... D8/354, 373; D6/553,  
D6/569, 512; 248/309.1; 211/13, 60.1,  
86-87, 134

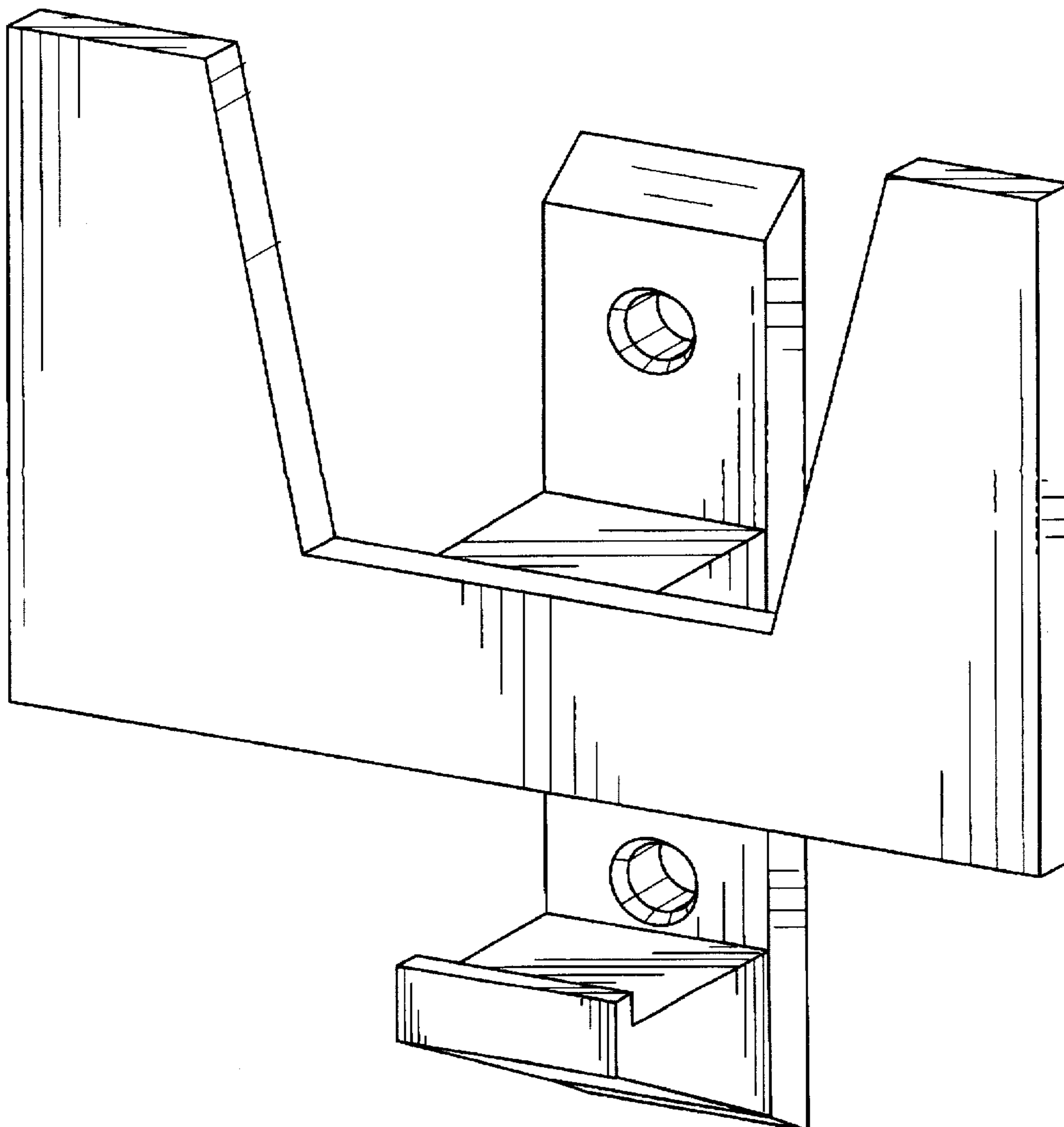
FIG. 1 is a perspective view of a wall mounted hanger for law enforcement equipment showing my new design;  
FIG. 2 is a reduced front view thereof;  
FIG. 3 is a rear view thereof;  
FIG. 4 is a right side view thereof; and the left side view is a mirror image thereof;  
FIG. 5 is a top view thereof; and,  
FIG. 6 is a bottom view thereof.

### [56] References Cited

#### U.S. PATENT DOCUMENTS

D. 260,851 9/1981 Parker ..... D8/376  
D. 301,407 6/1989 Boeri ..... D6/569 X

**1 Claim, 4 Drawing Sheets**



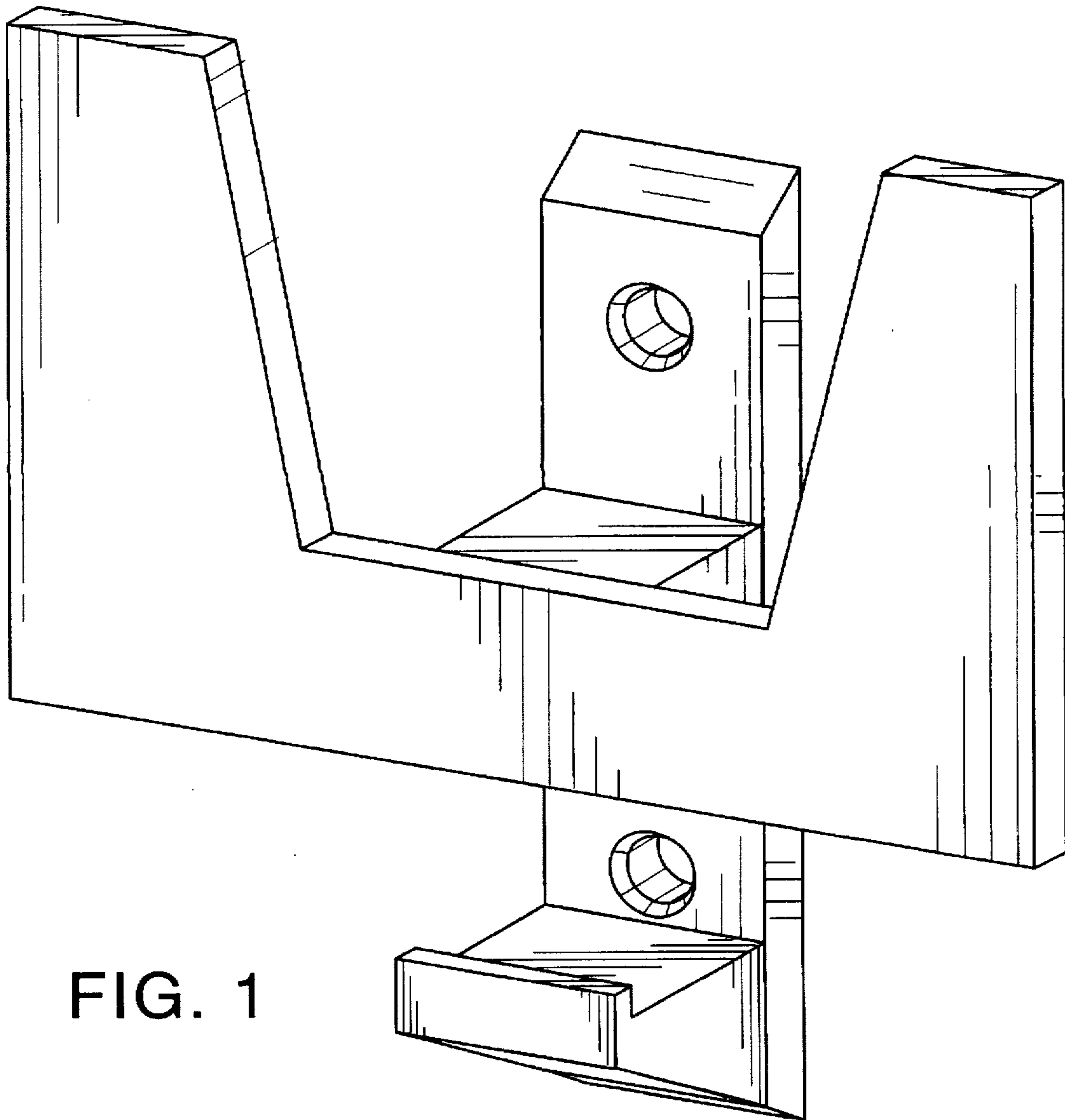


FIG. 1

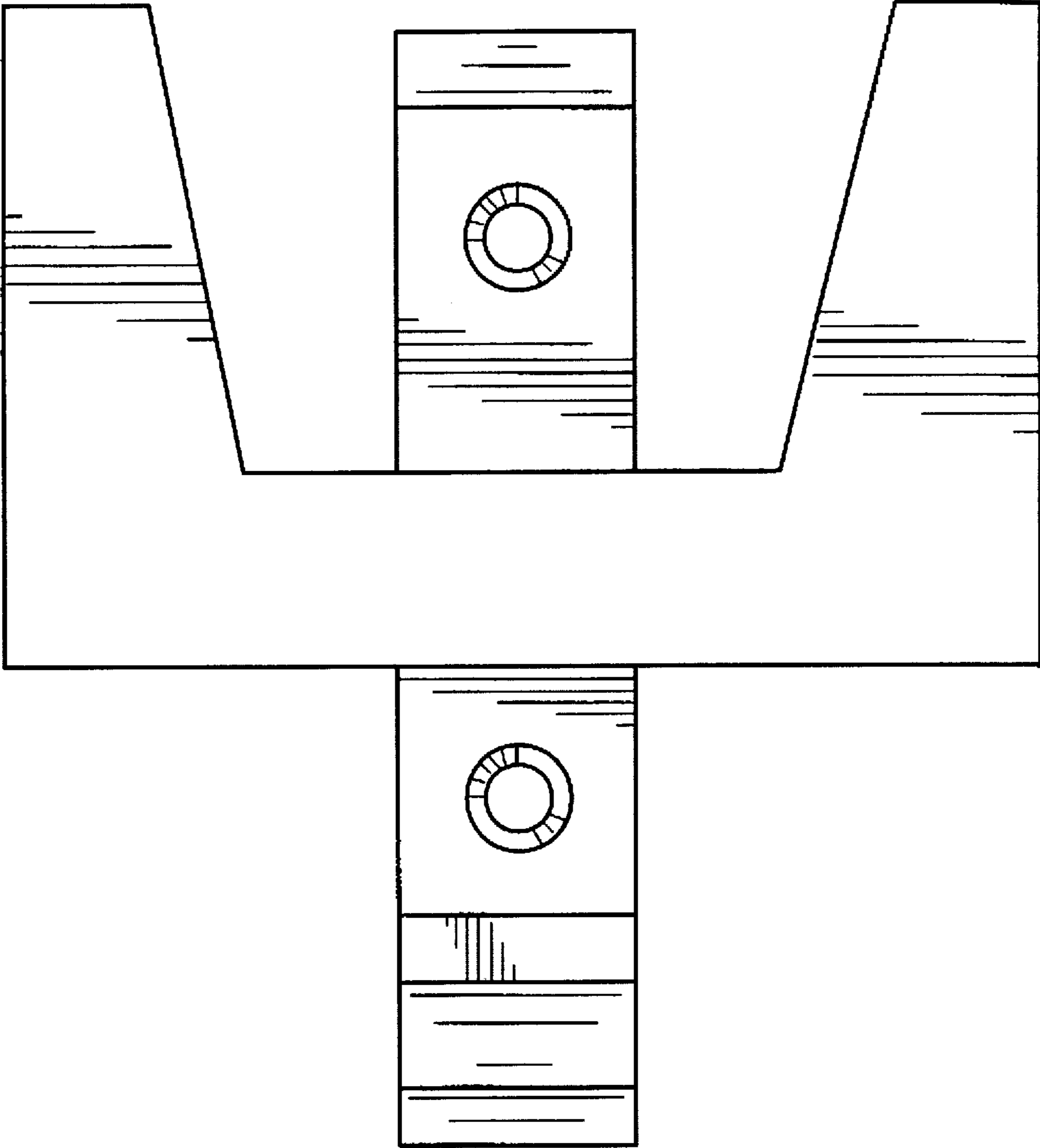


FIG. 2

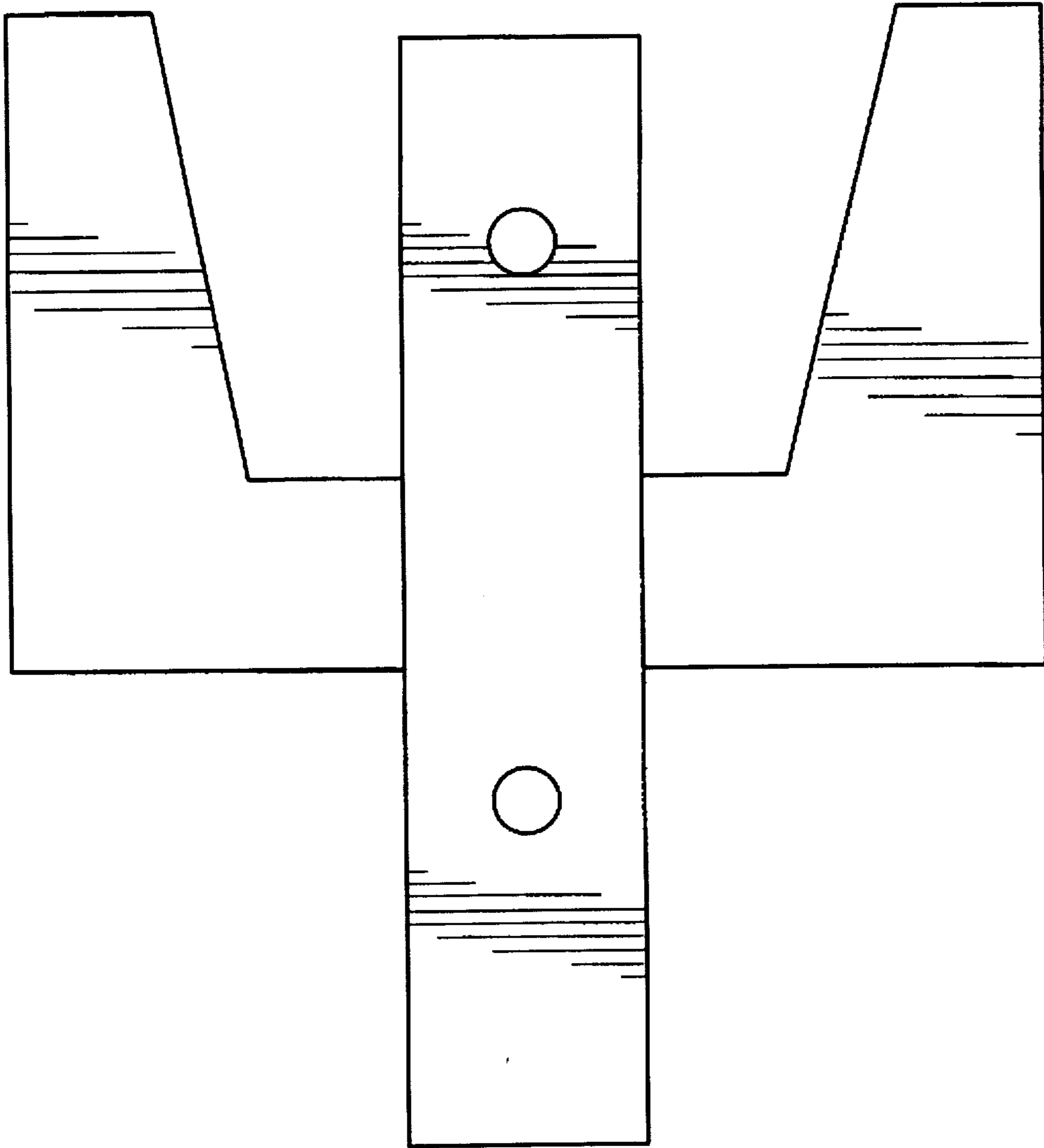


FIG. 3

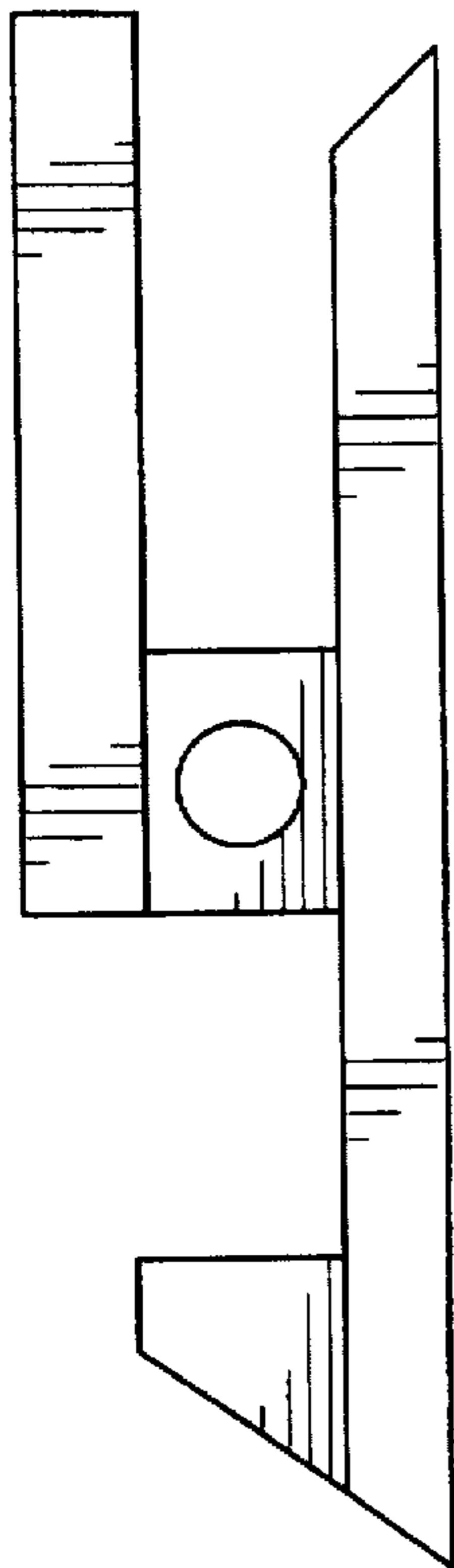


FIG. 4

FIG. 5

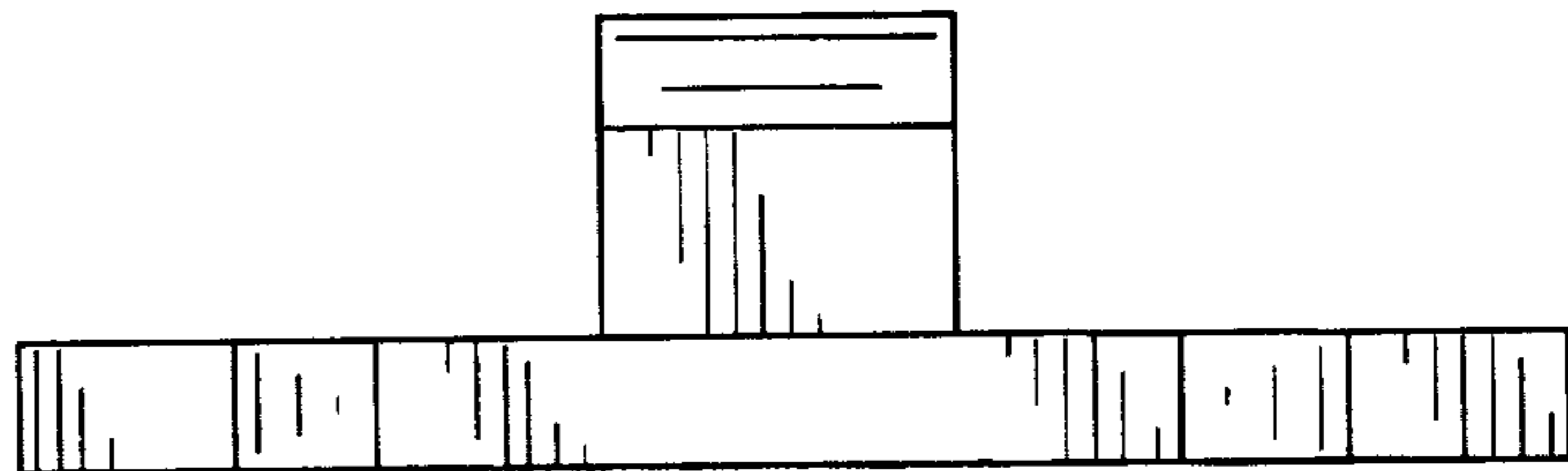


FIG. 6

