



US00D384574S

United States Patent [19]
Cox

[11] **Patent Number: Des. 384,574**
[45] **Date of Patent: **Oct. 7, 1997**

[54] **GRATING CLIP FOR SECURING
FIBERGLASS DECK ELEMENTS TO AN
OFFSHORE PLATFORM**

4,666,116 5/1987 Lloyd D8/394 X

Primary Examiner—Holly Baynham
Attorney, Agent, or Firm—Mark A. Smith

[75] **Inventor: Bobby Eugene Cox, Kenner, La.**

[57] **CLAIM**

[73] **Assignee: Shell Offshore Inc., New Orleans, La.**

The ornamental design for a grating clip for securing fiber-
glass deck elements to an offshore platform, as shown and
described.

[**] **Term: 14 Years**

[21] **Appl. No.: 44,185**

DESCRIPTION

[22] **Filed: Sep. 20, 1995**

FIG. 1 is a perspective view;
FIG. 2 is a side elevational view with the opposite side being
a mirror image;
FIG. 3 is a top elevational view;
FIG. 4 is a bottom elevational view;
FIG. 5 is an elevational view of a first end;
FIG. 6 is an elevational view of a second end;
FIG. 7 is an environmental side elevational view; and,
FIG. 8 is an environmental end elevational view.
The broken line showing of an offshore platform is for
illustrative purposes only and forms no part of the claimed
design.

[51] **LOC (6) Cl. 08-05**

[52] **U.S. Cl. D8/349**

[58] **Field of Search D8/371, 394-396,
D8/373, 349, 354; 248/316.7, 205.1, 300,
228**

[56] **References Cited**

U.S. PATENT DOCUMENTS

- D. 25,237 3/1896 Whitmore D8/395
- D. 30,630 4/1899 Caldwell D8/395
- 918,643 4/1909 Aylett et al. D8/373 X

1 Claim, 2 Drawing Sheets

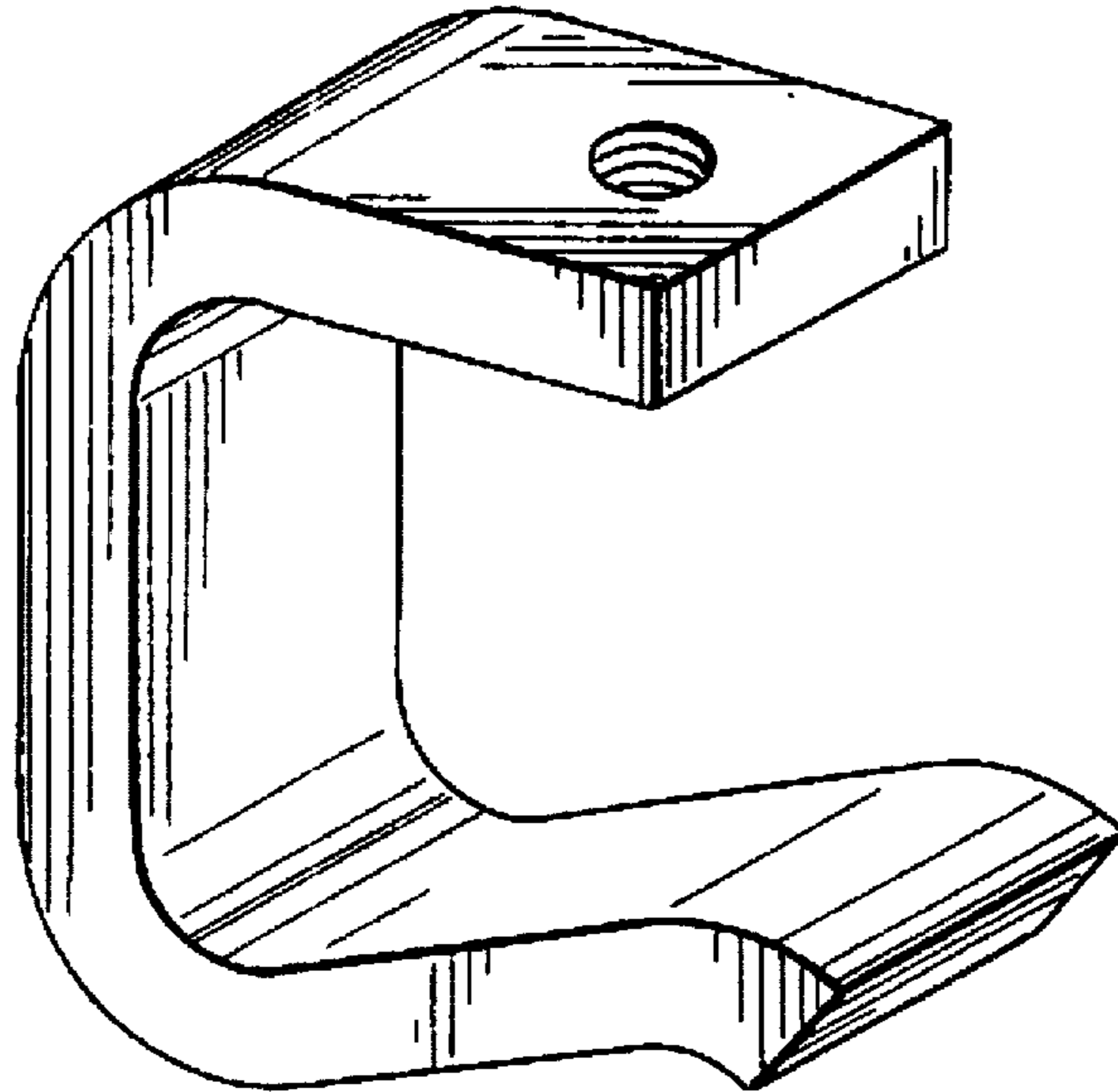


FIG. 1

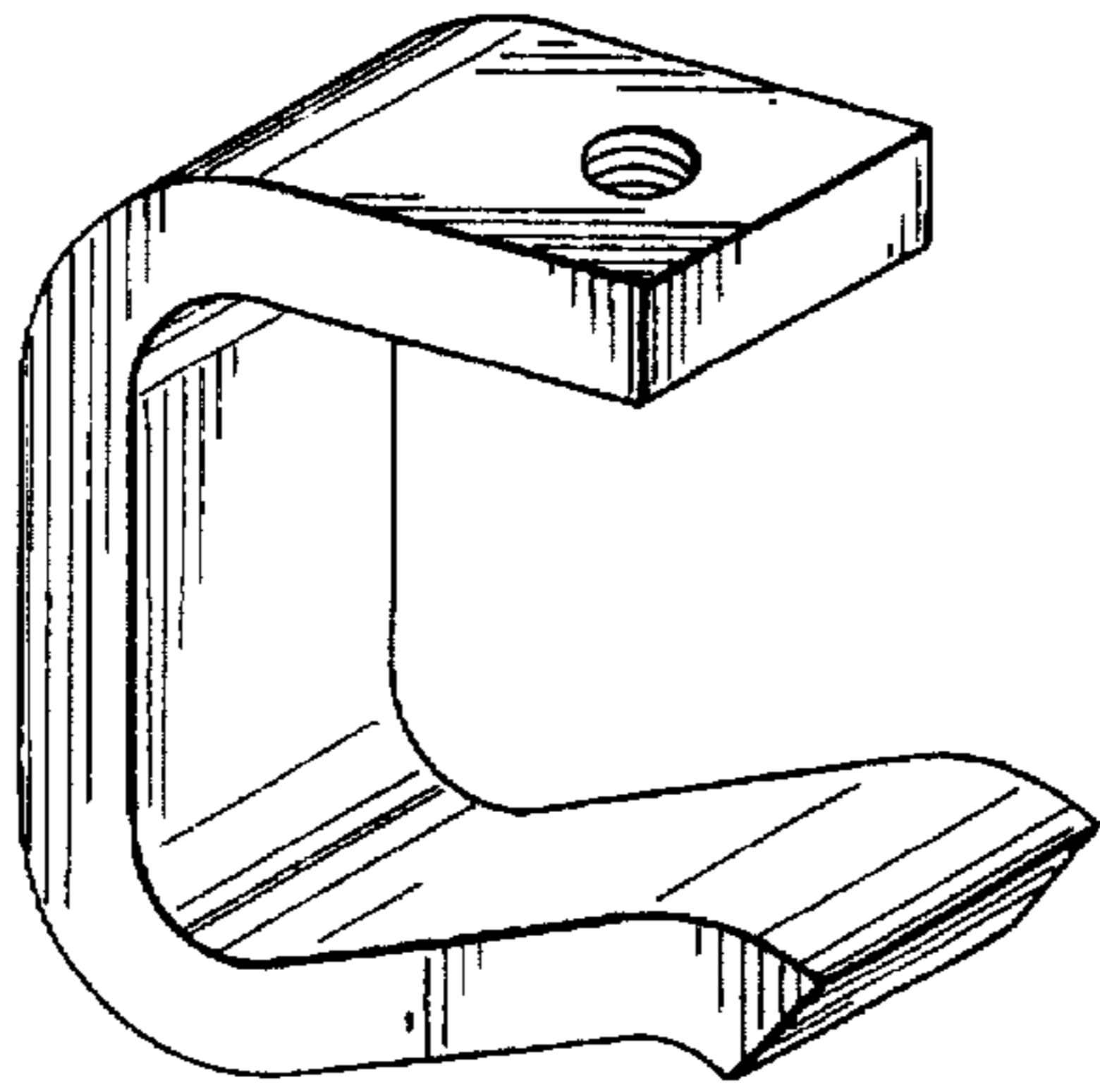


FIG. 3

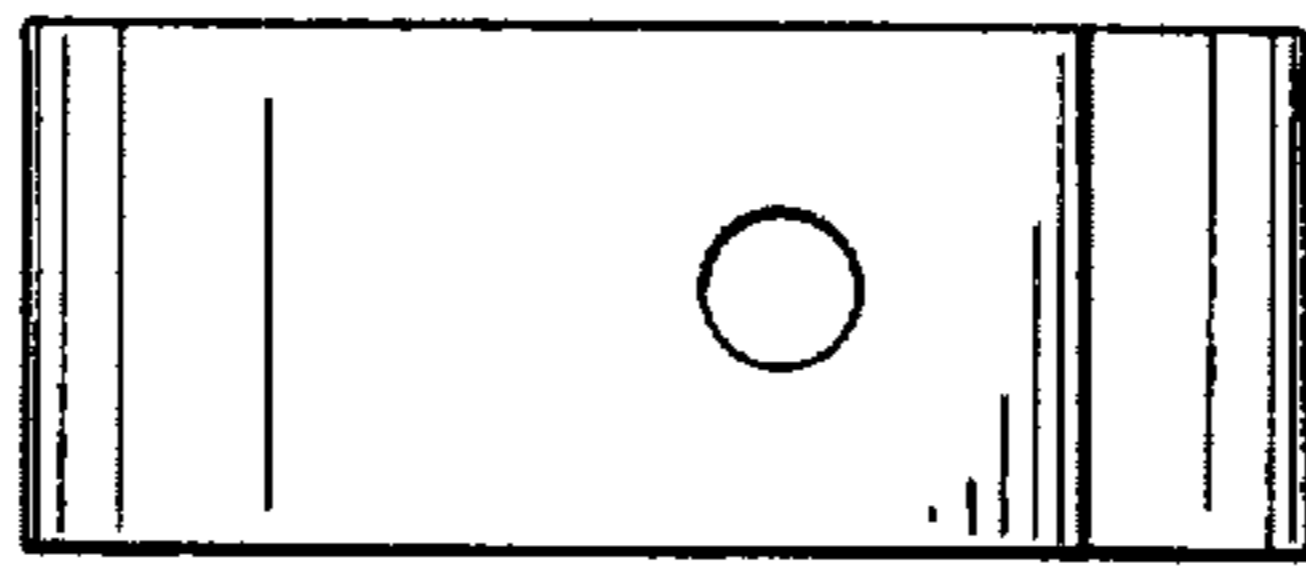


FIG. 2

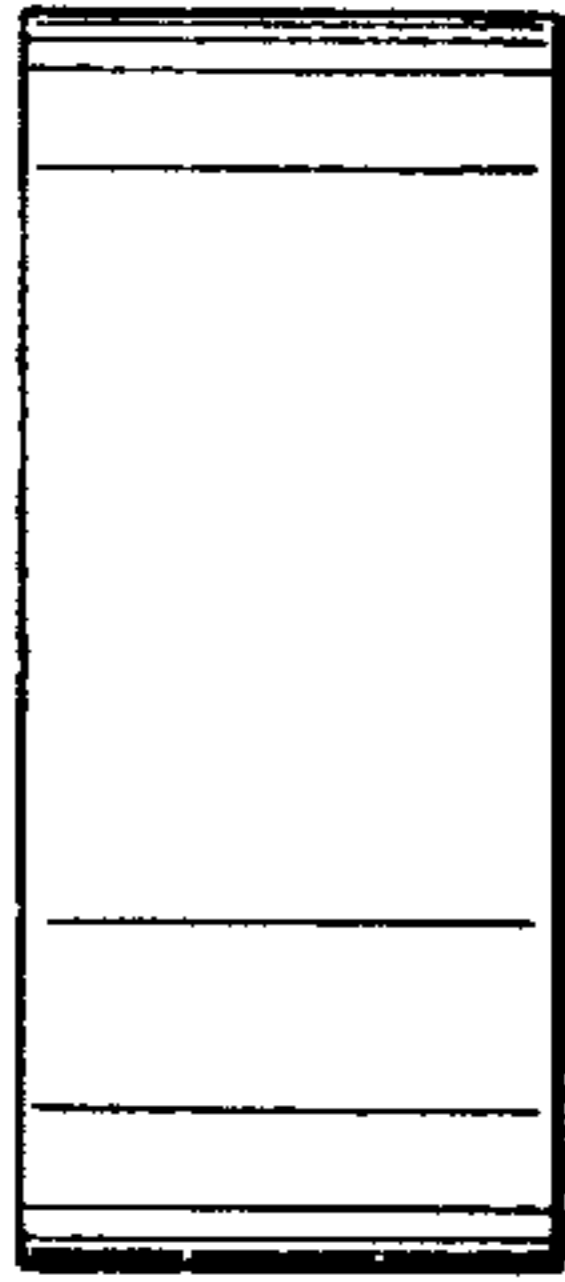
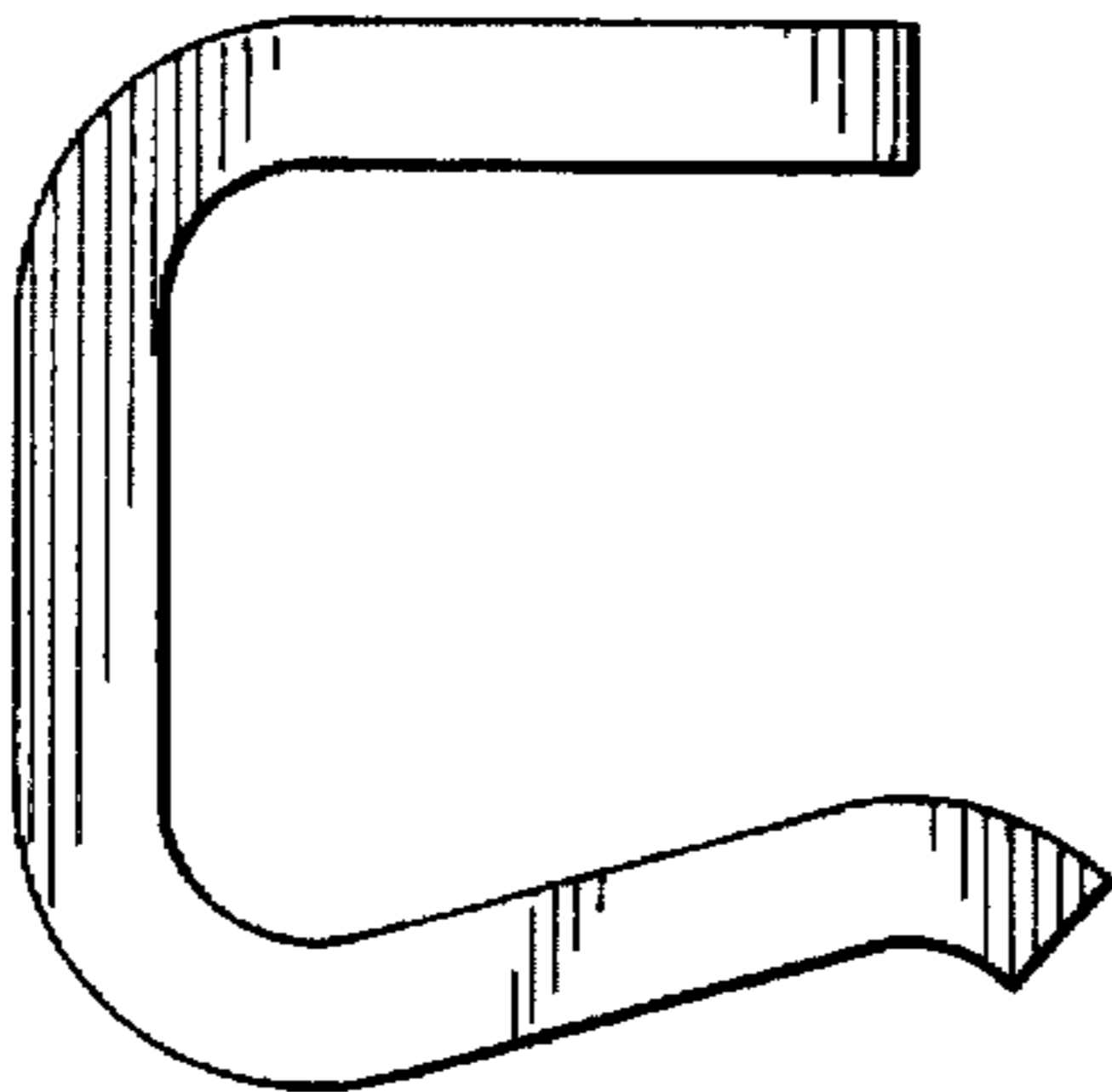


FIG. 5



FIG. 6

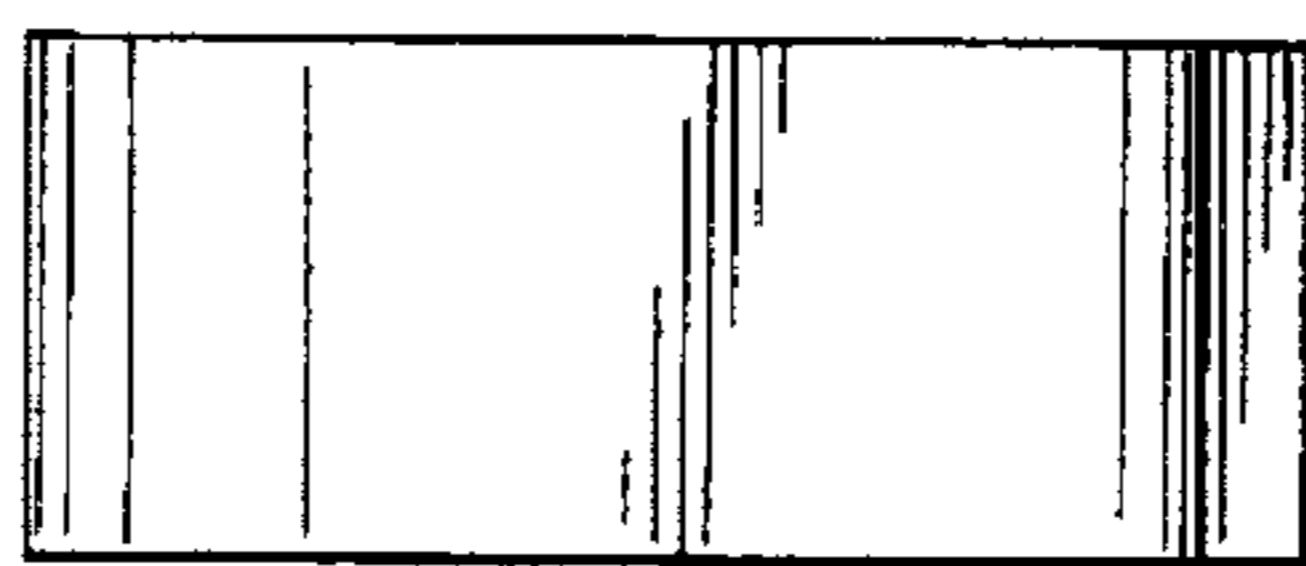


FIG. 4

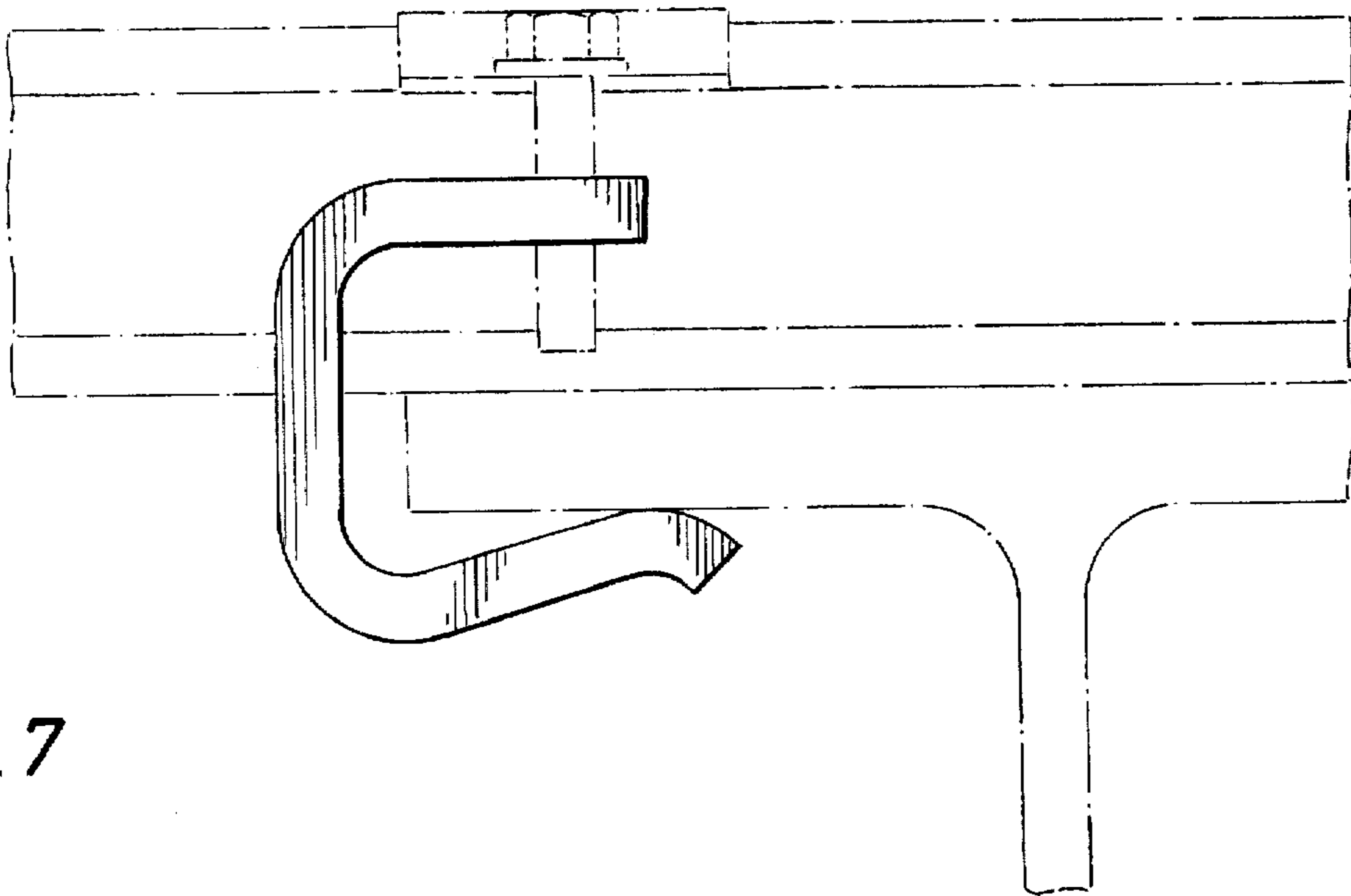


FIG. 7

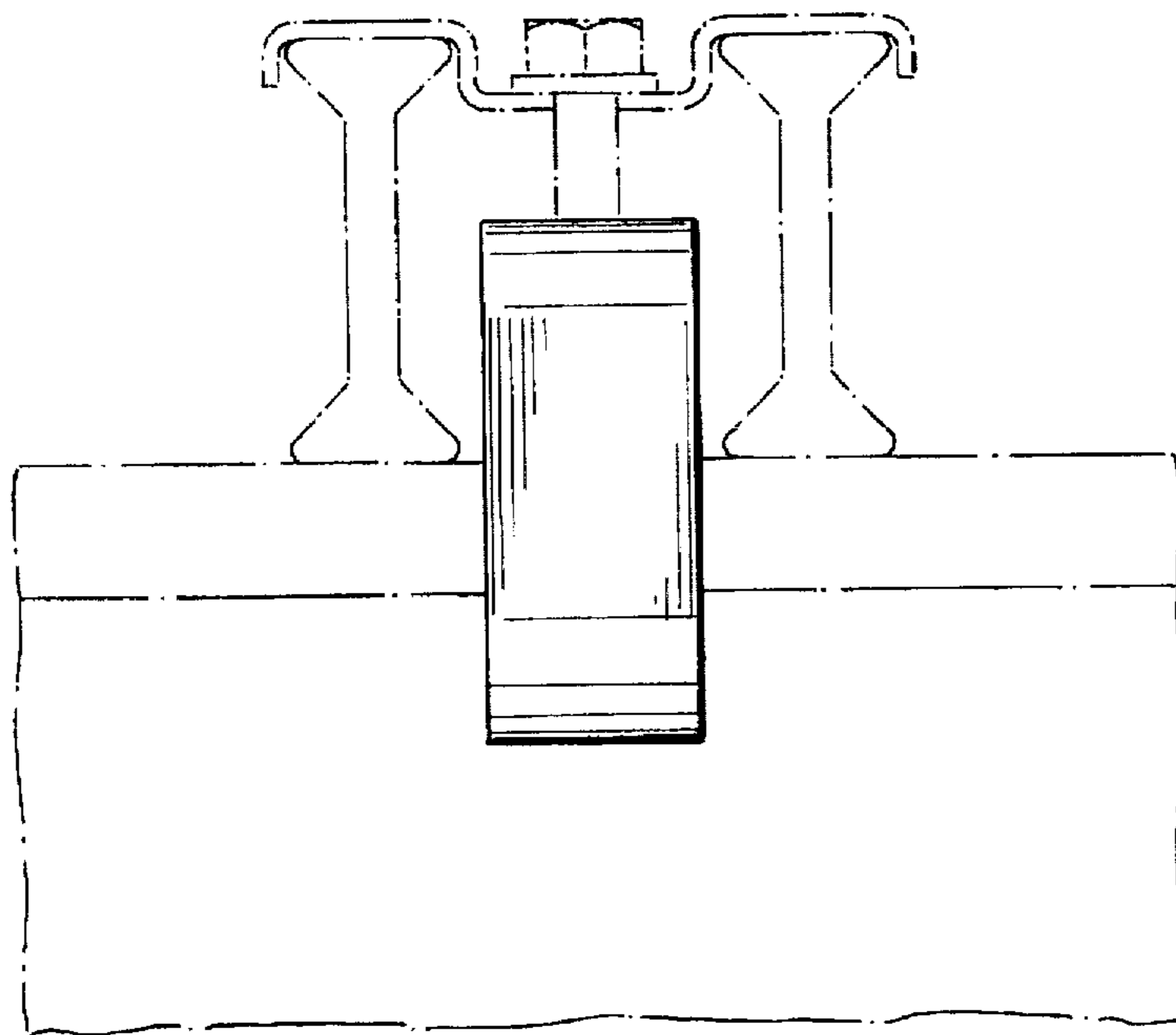


FIG. 8