



US00D384568S

United States Patent [19]

Mantarakis et al.

[11] Patent Number: **Des. 384,568**

[45] Date of Patent: ****Oct. 7, 1997**

[54] **DOOR HANDLE**

[75] Inventors: **Petros Z. Mantarakis**, Northridge;
Kevin Michael Argo, Tujunga, both of Calif.

[73] Assignee: **Reflectolite Products, Inc.**, Sun Valley, Calif.

[**] Term: **14 Years**

[21] Appl. No.: **53,092**

[22] Filed: **Apr. 16, 1996**

[51] LOC (6) Cl. **08-06**

[52] U.S. Cl. **D8/301; D8/317; D8/350**

[58] Field of Search **D8/300, 301, 303, D8/315-320, 350; 16/110 R, 111 R**

[56] **References Cited**

U.S. PATENT DOCUMENTS

- D. 152,198 12/1948 Hay D8/315
- D. 246,421 11/1977 Ridgeway et al. .
- D. 268,321 3/1983 Tegner .
- D. 270,994 10/1983 Tegner .
- D. 274,123 6/1984 Tegner .
- D. 297,505 9/1988 Masch .
- D. 316,805 5/1991 Paulson et al. .
- D. 316,806 5/1991 Paulson et al. .
- D. 316,807 5/1991 Paulson et al. .
- D. 319,772 9/1991 Masch .
- D. 320,334 10/1991 Clancy .
- D. 326,990 6/1992 Bishop .

- D. 340,398 10/1993 Clancy .
- 3,304,658 2/1967 Kreger .
- 3,381,990 5/1968 Kreger .

OTHER PUBLICATIONS

National Lock Hardware pp. 12 & 14.
J.C. De Jong & Co. Inc. p. A-8, Cat. 704.
Belwith International Ltd. p. 5, Cat. 278 1978.

Primary Examiner—James Gandy
Assistant Examiner—Linda Brooks
Attorney, Agent, or Firm—Renner, Otto, Boisselle & Sklar, P.L.L.

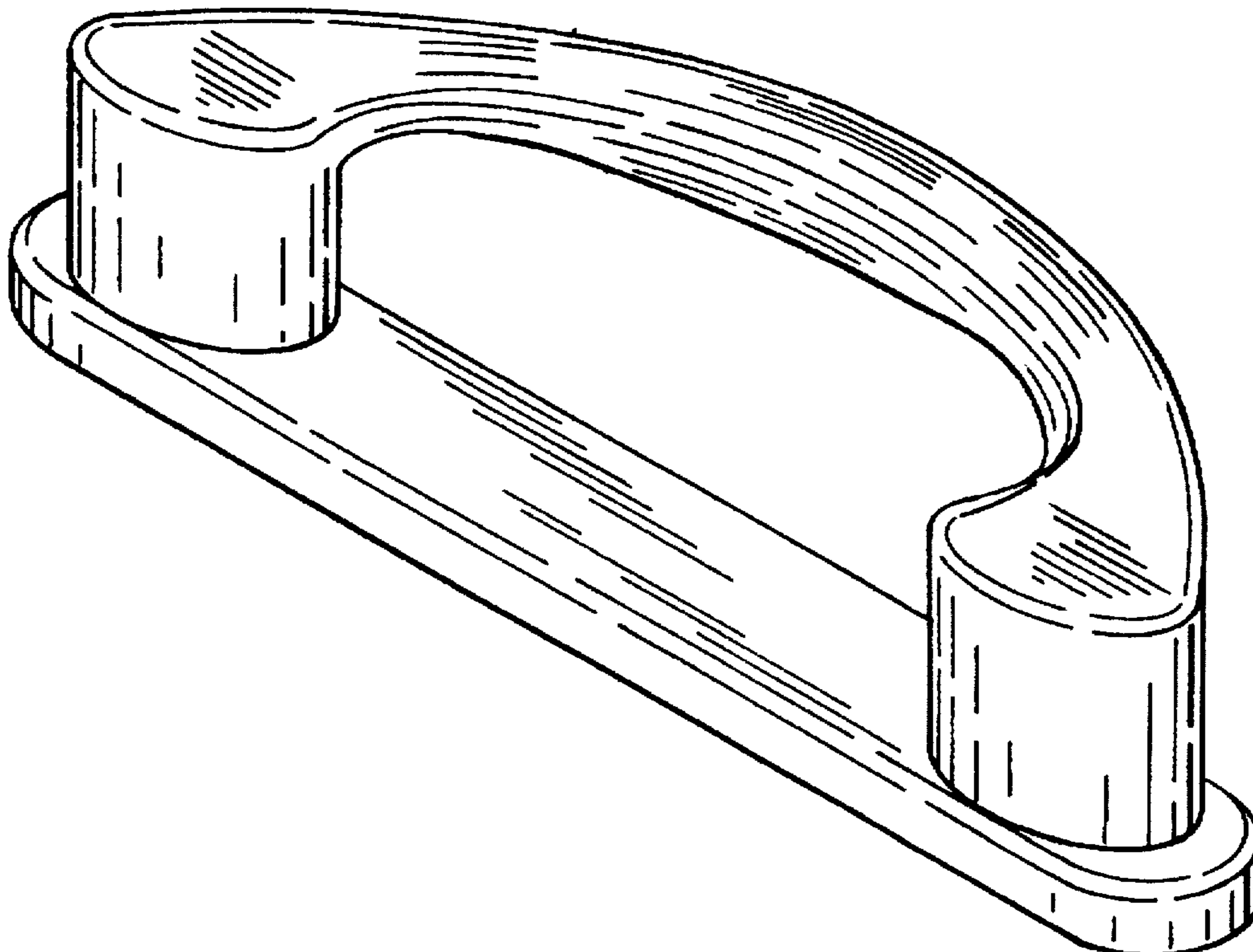
[57] **CLAIM**

The ornamental design of a door handle, as shown and described.

DESCRIPTION

FIG. 1 is a perspective illustration of a door handle in accordance with the present invention;
FIG. 2 is a front elevation view of a door handle in accordance with the present invention;
FIG. 3 is a bottom plan view of a door handle in accordance with the present invention;
FIG. 4 is a top plan view of a door handle in accordance with the present invention;
FIG. 5 is a rear elevational view of the door handle of FIG. 1; and,
FIG. 6 is an end elevation view of the door handle of FIG. 1, the two end views being identical.

1 Claim, 1 Drawing Sheet



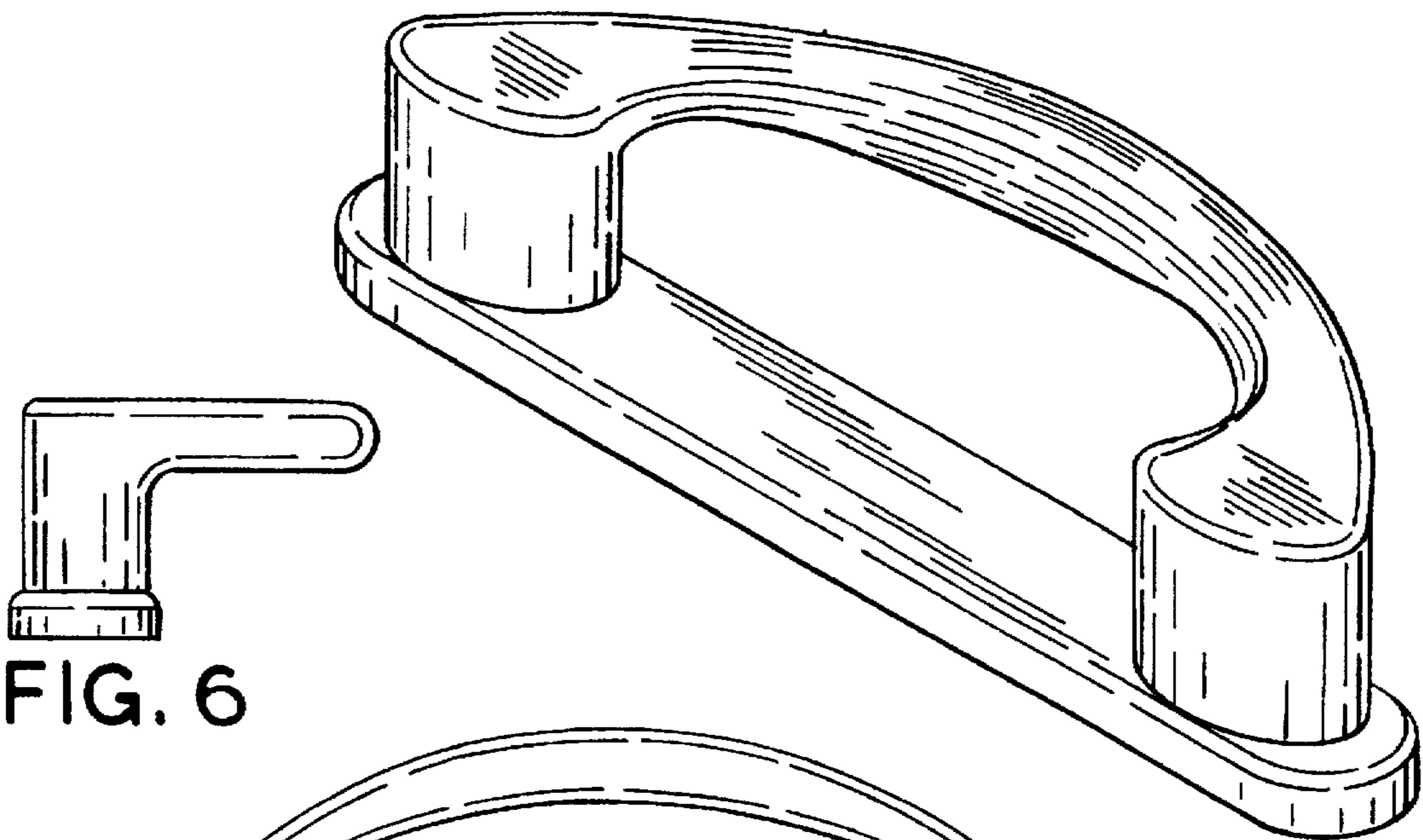


FIG. 1

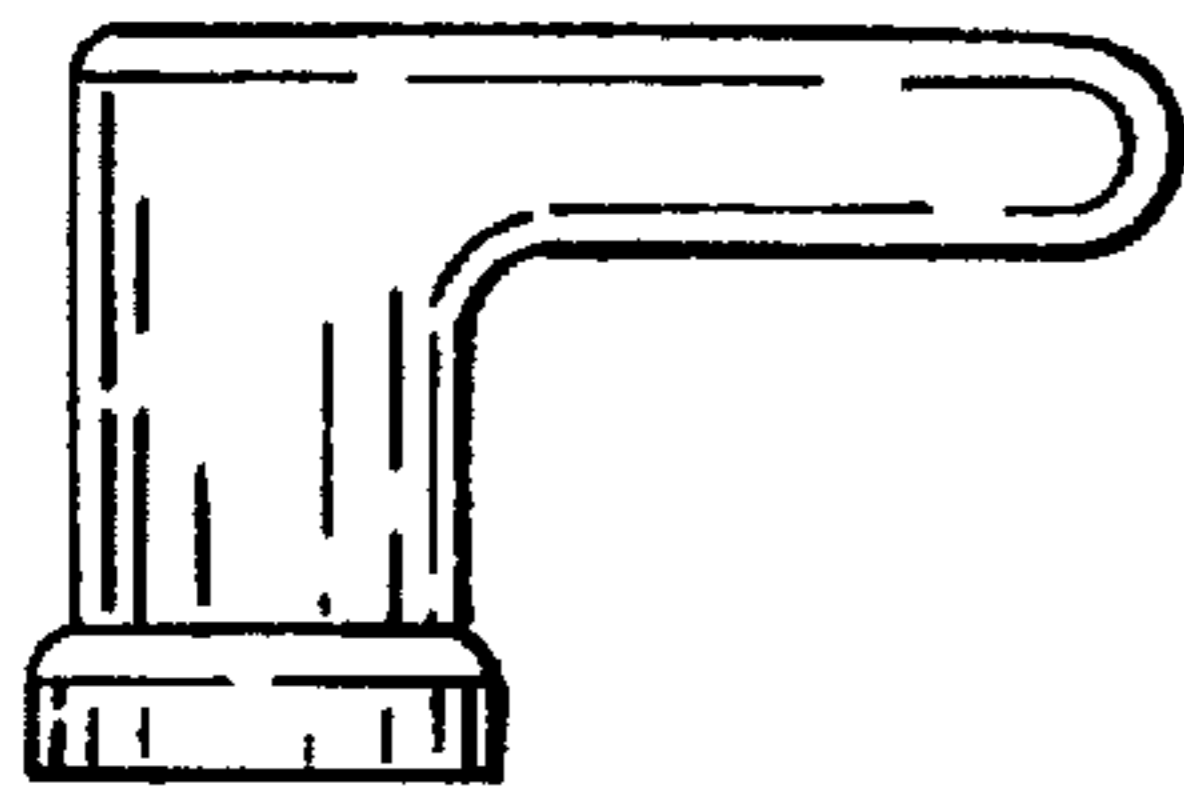


FIG. 6



FIG. 2

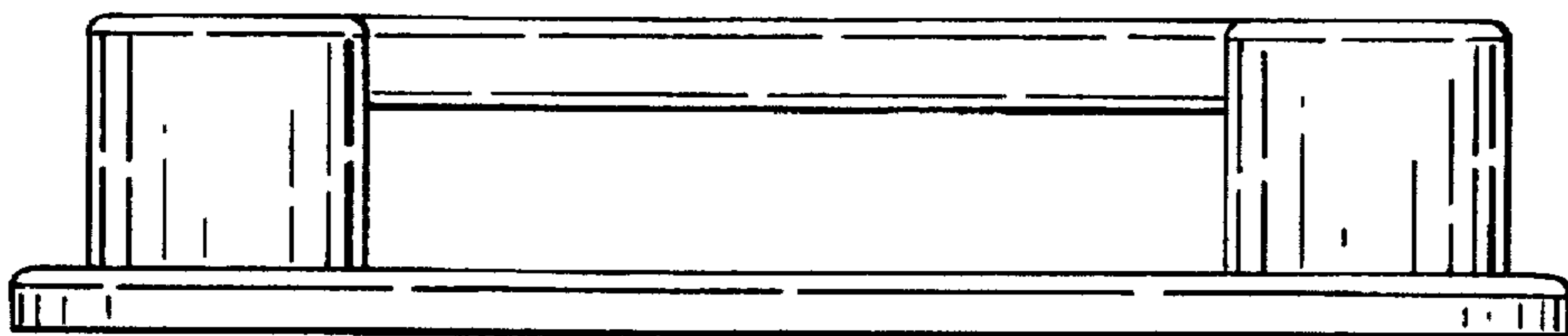


FIG. 3

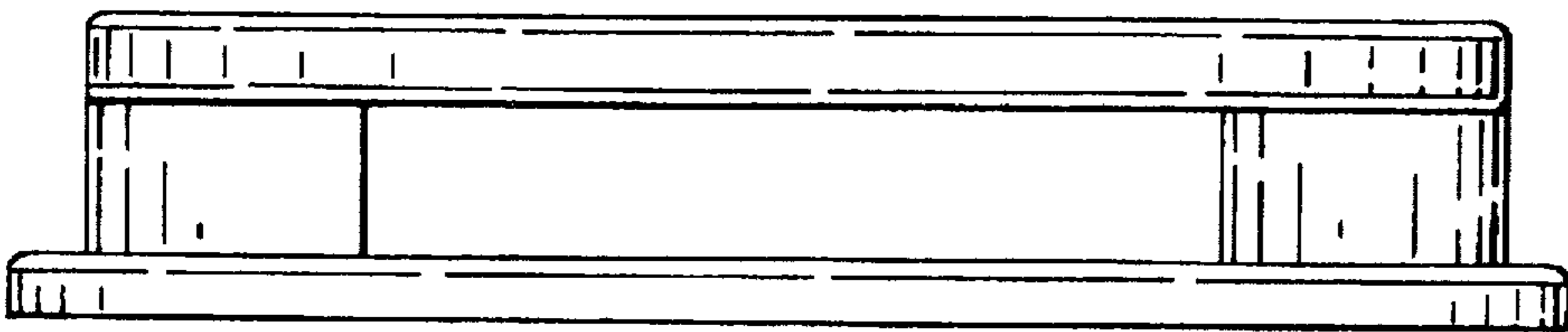


FIG. 4

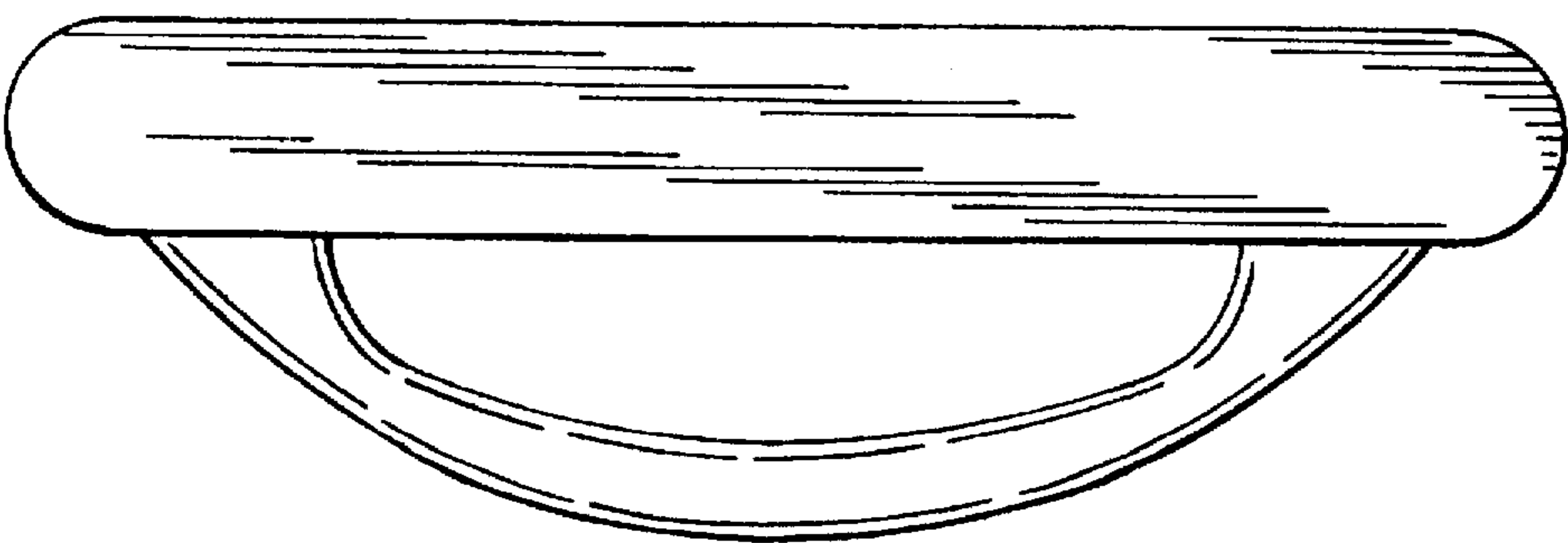


FIG. 5