

US00D384564S

# United States Patent [19]

[11] Patent Number: **Des. 384,564**

Bengtsson et al.

[45] Date of Patent: **\*\*Oct. 7, 1997**

[54] **HAMMER**

4,039,012 8/1977 Cook ..... 81/22  
5,537,896 7/1996 Halder ..... 81/22

[75] Inventors: **Maria Bengtsson**, Sollentuna; **John Grieves**; **Olle Torgny**, both of Stockholm, all of Sweden

*Primary Examiner*—Philip S. Hyder  
*Attorney, Agent, or Firm*—Christensen, O'Connor, Johnson & Kindness, PLLC

[73] Assignee: **Hultafors AB**, Hultafors, Sweden

[57] **CLAIM**

[\*\*] Term: **14 Years**

The ornamental design for a hammer, as shown and described.

[21] Appl. No.: **49,669**

### DESCRIPTION

[22] Filed: **Jan. 29, 1996**

### [30] Foreign Application Priority Data

Jul. 28, 1995 [SE] Sweden ..... 95-1449  
Jul. 28, 1995 [SE] Sweden ..... 95-1450  
Jul. 28, 1995 [SE] Sweden ..... 95-1451

FIG. 1 is a perspective view of a hammer in an upright position showing the left side of my new design, the right side being substantially a mirror image thereof;

[51] **LOC (6) Cl.** ..... **08-02**

[52] **U.S. Cl.** ..... **D8/75; D8/77**

[58] **Field of Search** ..... **D8/75, 76, 77, D8/78, 79; 81/19, 20, 21, 22, 23, 24, 25**

FIG. 2 is a perspective view thereof with the hammer laying on the right side;

FIG. 3 is a front view of an end portion opposite the head thereof with a portion cutaway;

FIG. 4 is a bottom plan view thereof omitting the head;

FIG. 5 is a perspective view of the left side of a second embodiment of a hammer laying on its side;

FIG. 6 is a perspective view of the right side thereof with the hammer laying on its side;

FIG. 7 is a left side elevation view of the head portion thereof;

FIG. 8 is a top plan view thereof;

FIG. 9 is a perspective view of the left side of a third embodiment of a hammer in an upright position; and,

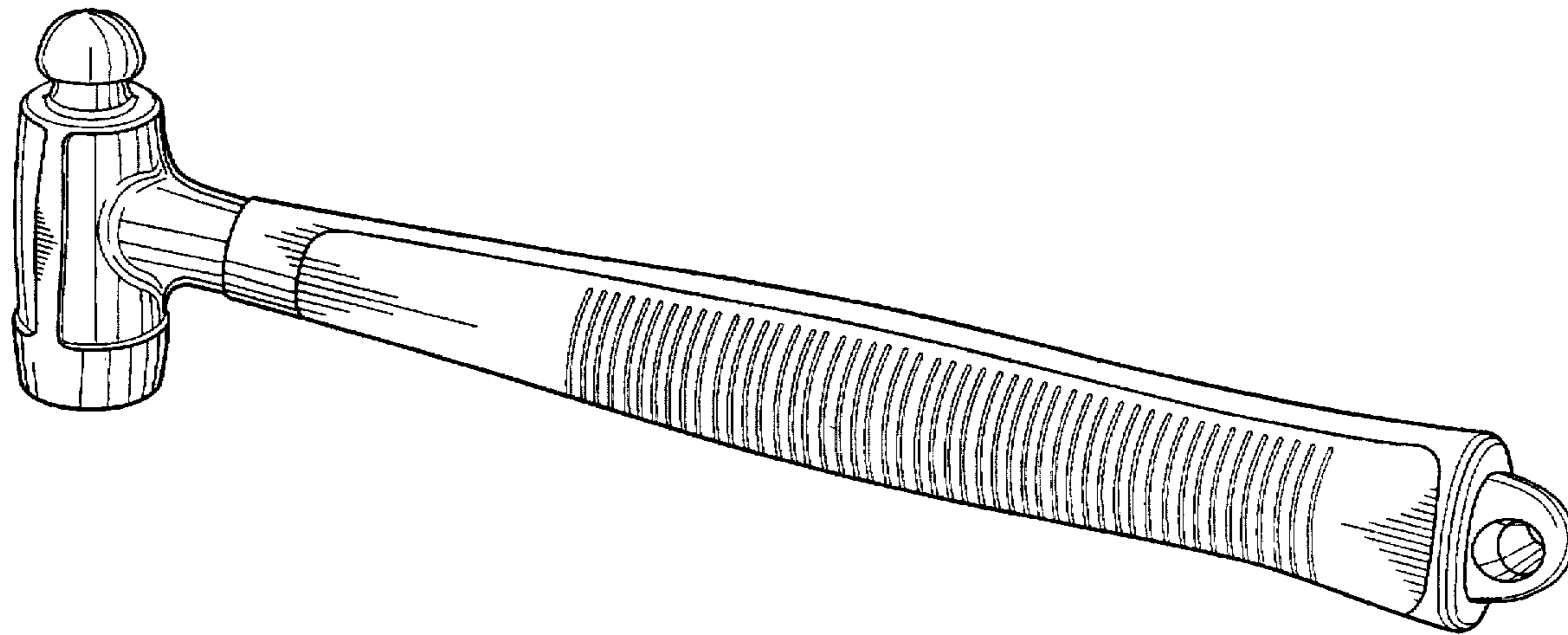
FIG. 10 is a perspective view in an upright position of the right side thereof.

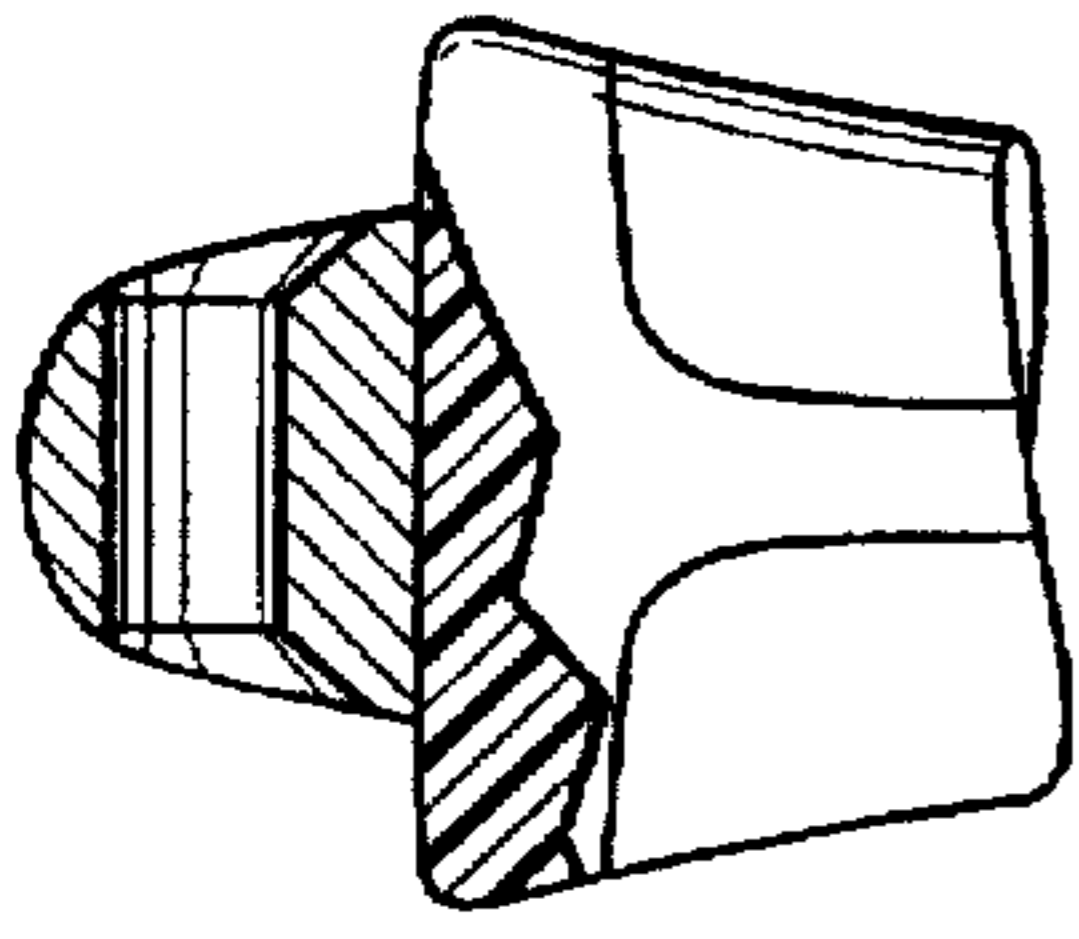
### [56] References Cited

#### U.S. PATENT DOCUMENTS

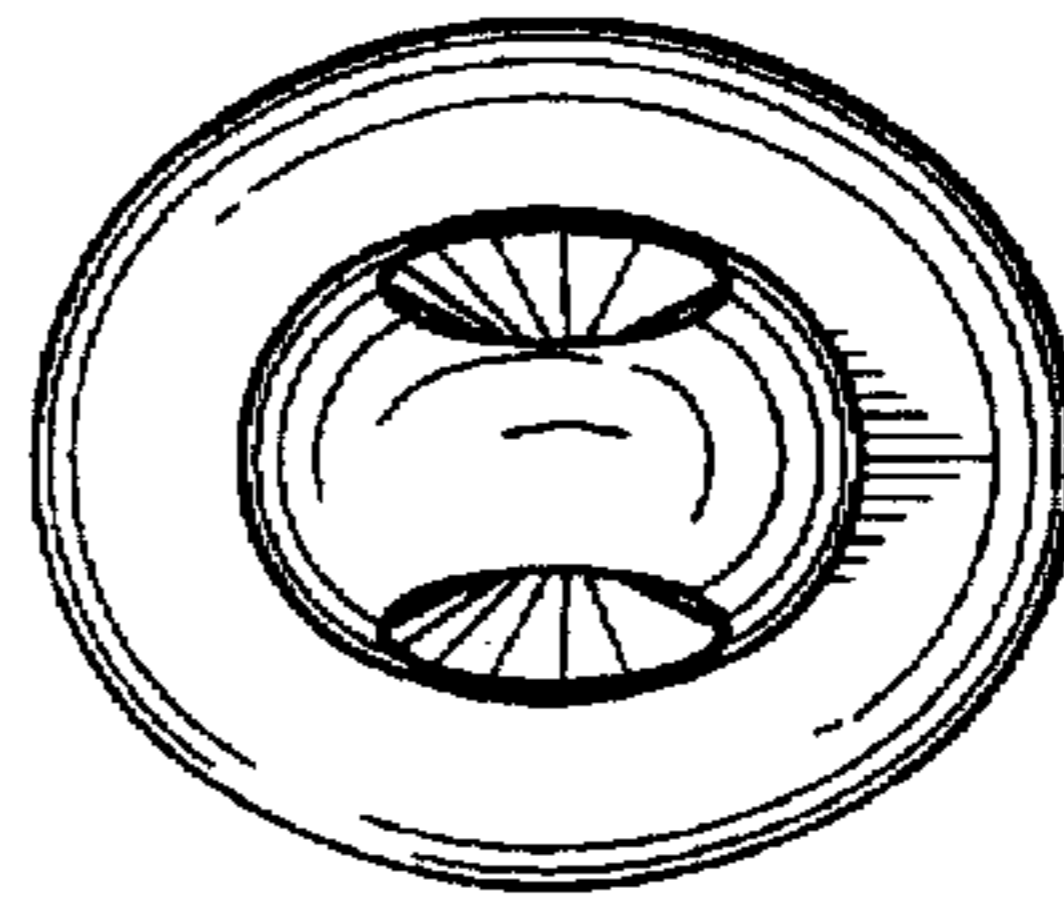
D. 182,076 2/1958 MacMinn ..... D8/77  
D. 274,496 7/1984 Grover et al. .... D8/77  
D. 285,284 8/1986 Blomqvist ..... D8/77  
D. 302,932 8/1989 Chapin et al. .... D8/75  
D. 350,269 9/1994 Majors et al. .... D8/77  
3,088,506 5/1963 Bianchini ..... 81/19  
3,844,321 10/1974 Cook ..... 81/22

**1 Claim, 3 Drawing Sheets**

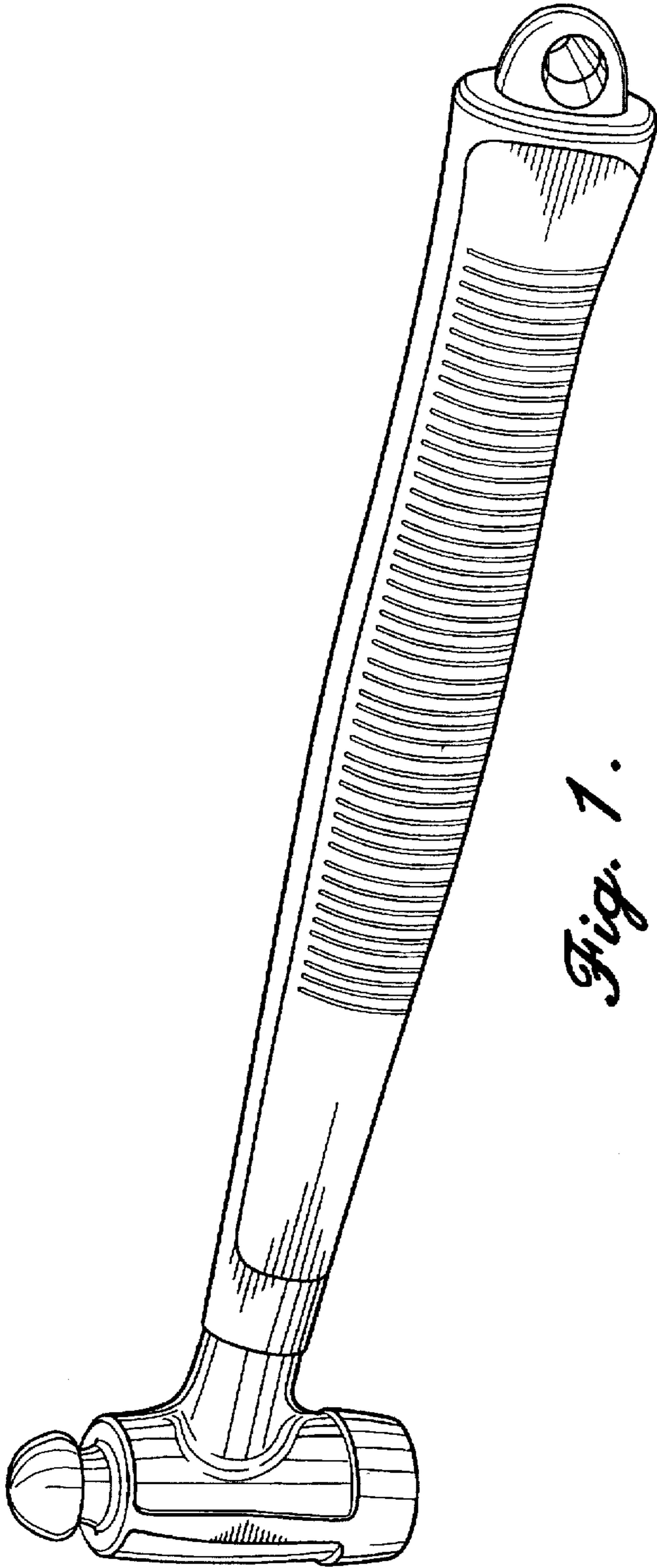




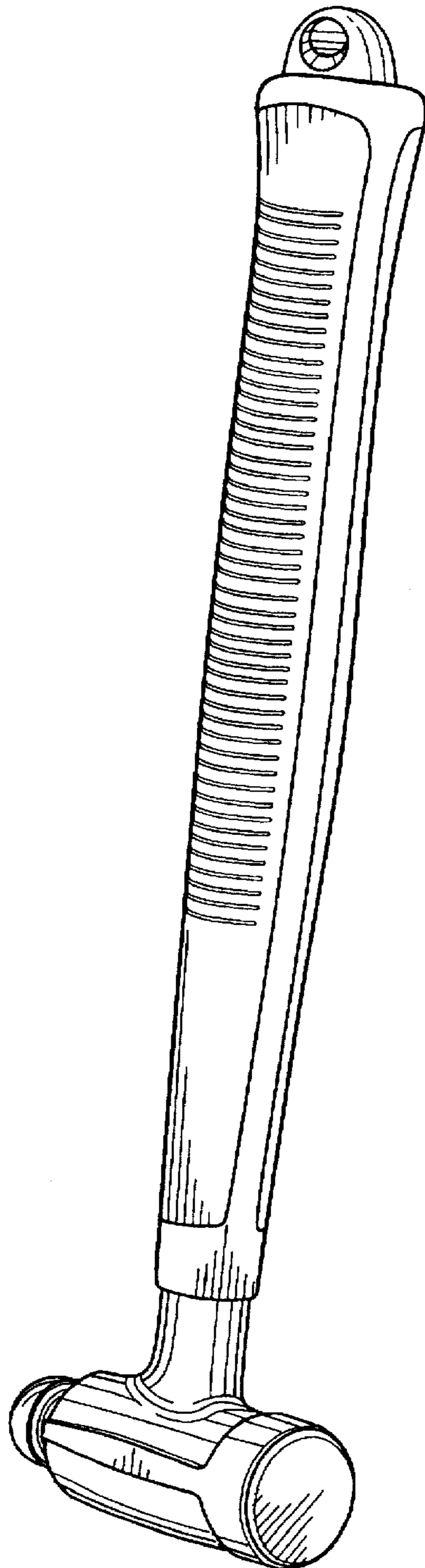
*Fig. 3.*



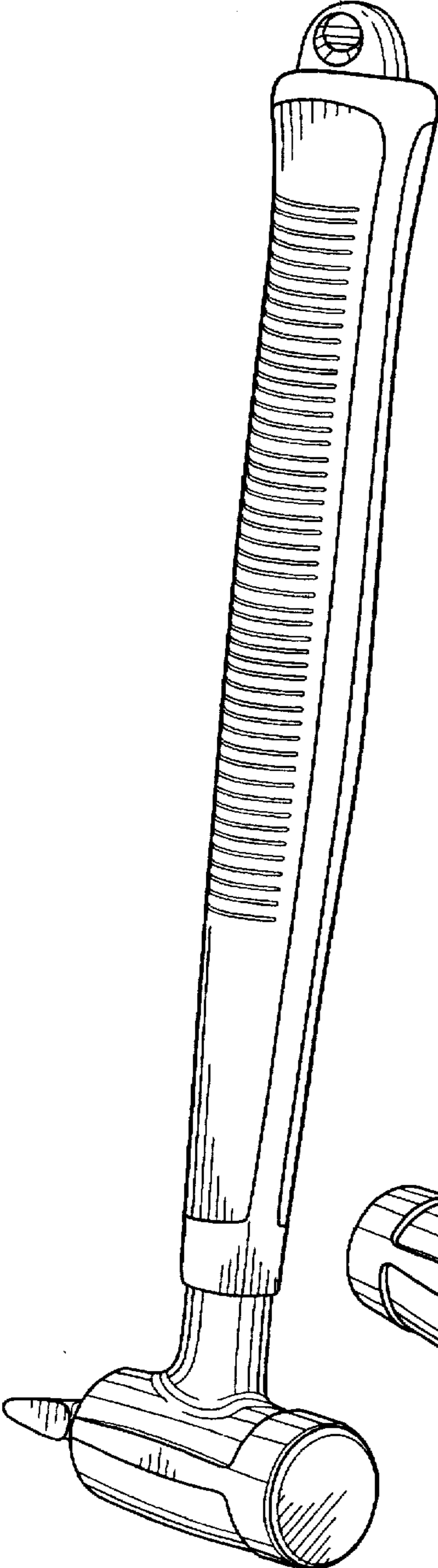
*Fig. 4.*



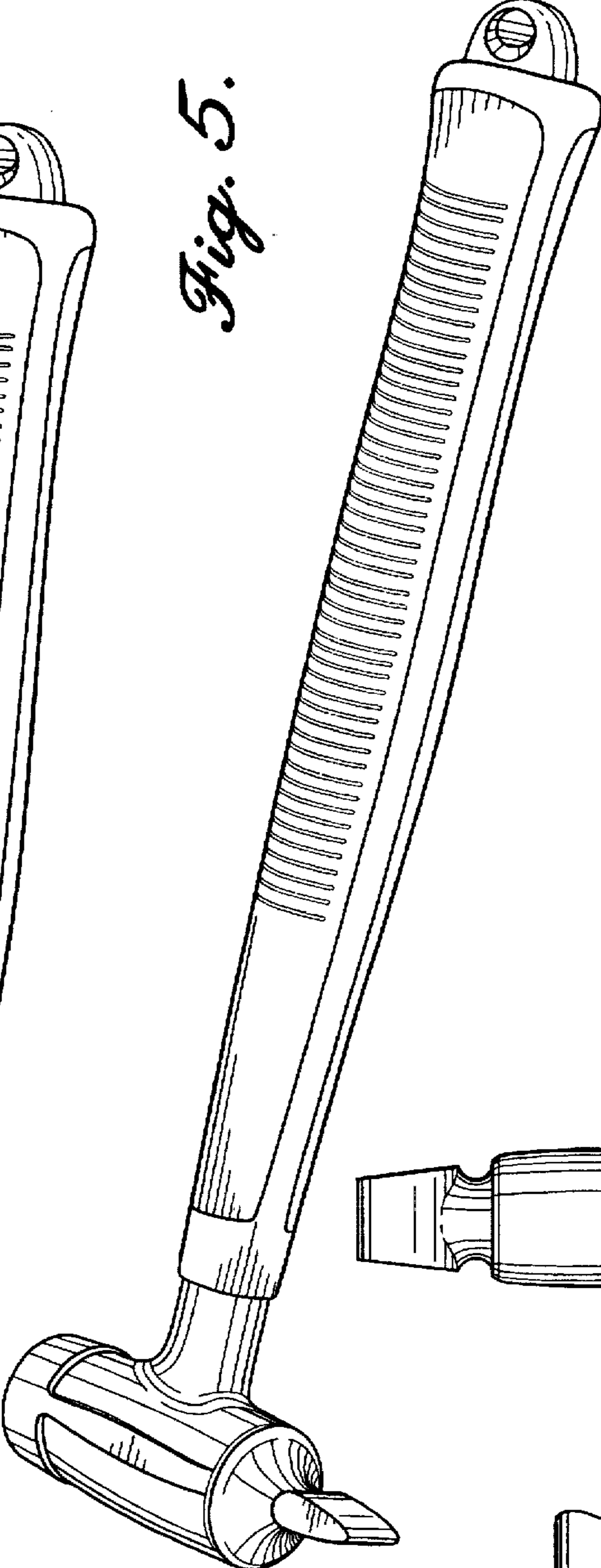
*Fig. 1.*



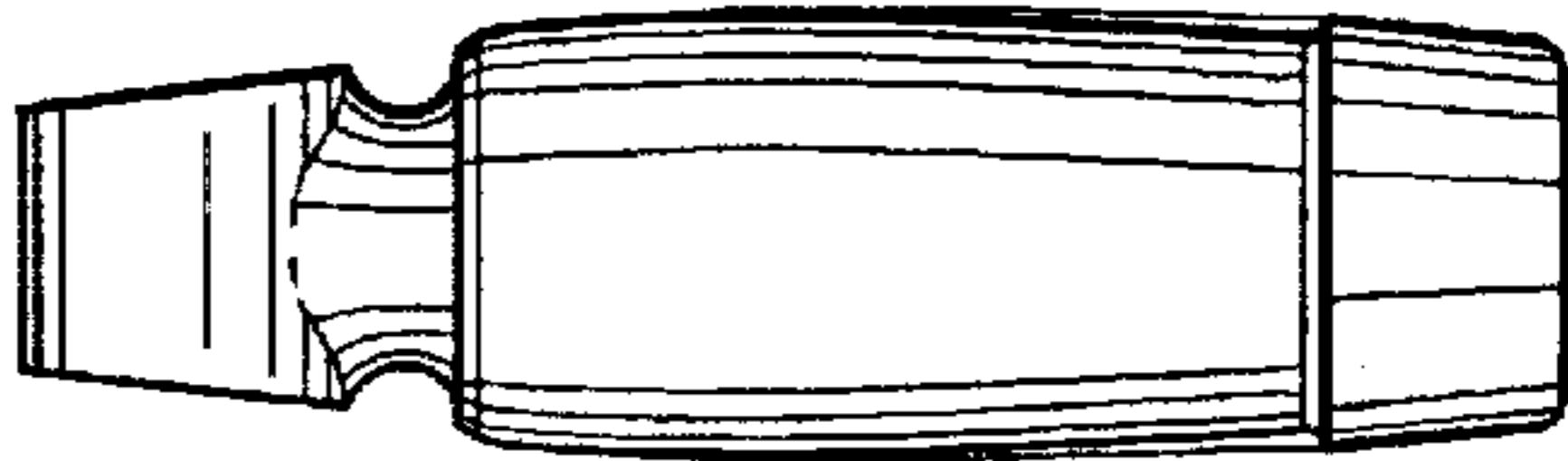
*Fig. 2.*



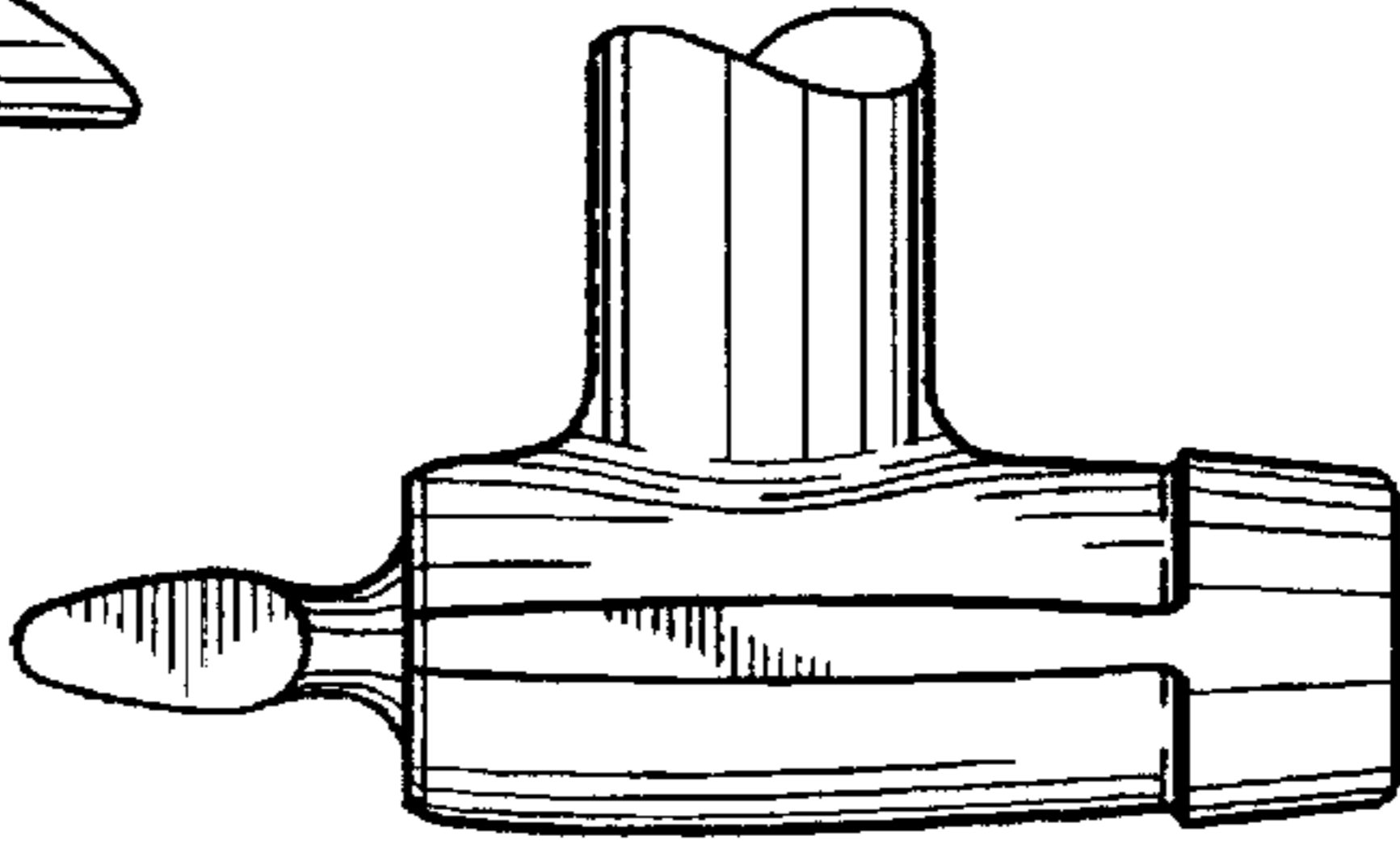
*Fig. 5.*



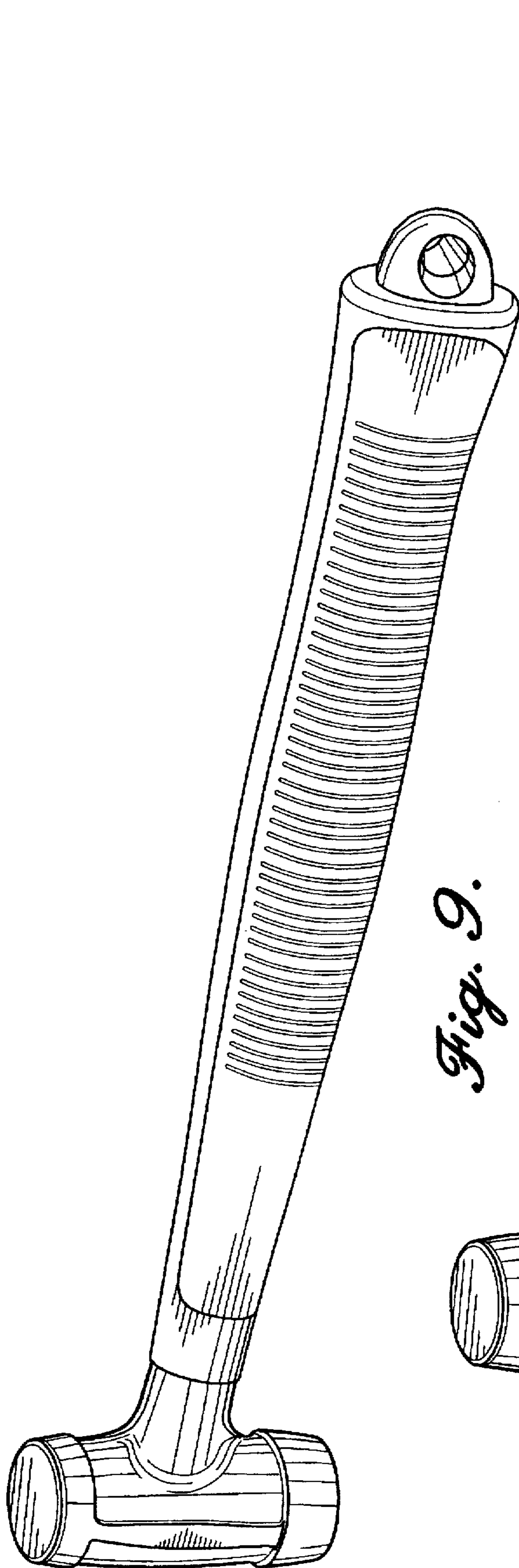
*Fig. 6.*



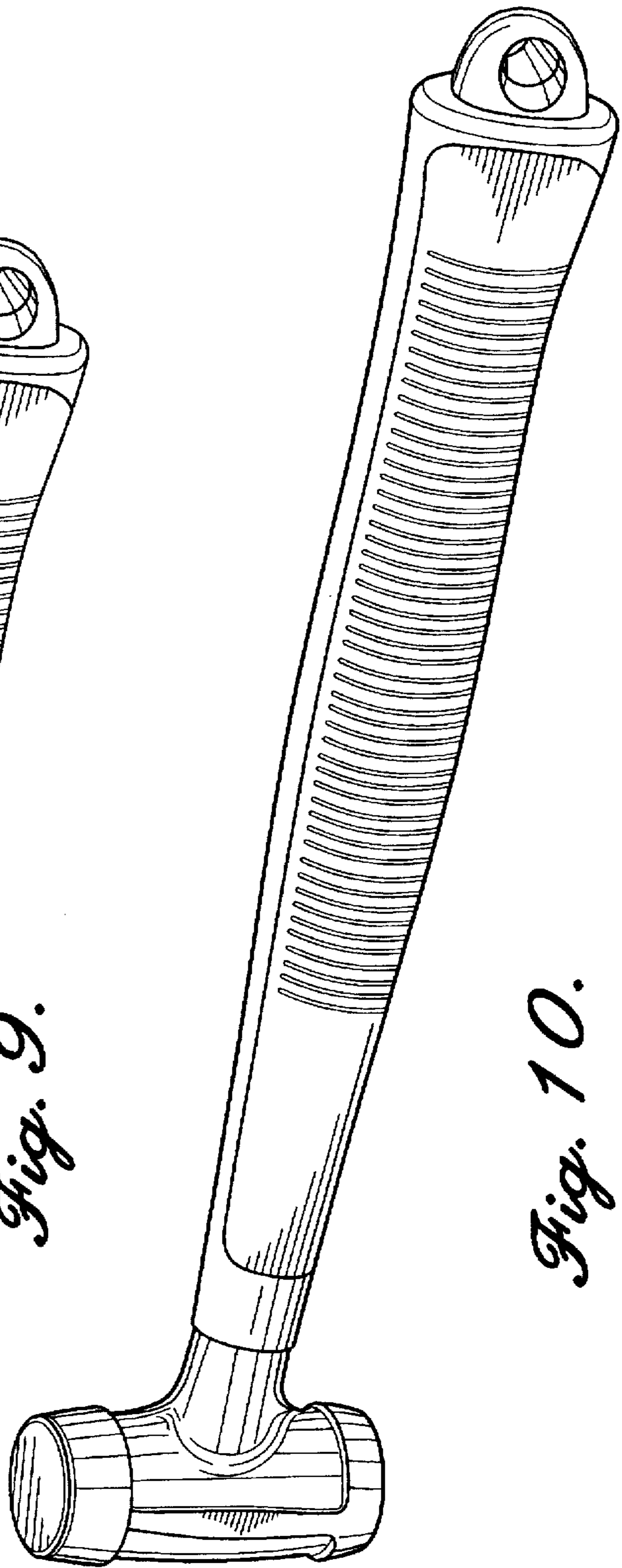
*Fig. 8.*



*Fig. 7.*



*Fig. 9.*



*Fig. 10.*