



US00D384562S

United States Patent [19] Sung

[11] Patent Number: **Des. 384,562**
[45] Date of Patent: ****Oct. 7, 1997**

[54] **IMPACT WRENCH**

[75] Inventor: **Eric Sung**, Ta-Li Taichung County, Taiwan

[73] Assignee: **K.K.U Limited**, Tokyo, Japan

[**] Term: **14 Years**

[21] Appl. No.: **52,262**

[22] Filed: **Mar. 27, 1996**

[51] LOC (6) Cl. **08-05**

[52] U.S. Cl. **D8/68**

[58] Field of Search D8/61, 68; 81/463, 81/464, 466, 467, 470; 173/93, 93.5, 93.6, 94, 169, 180, 181, 183

[56] **References Cited**

U.S. PATENT DOCUMENTS

- D. 233,131 10/1974 Slany D8/68
- D. 357,849 5/1995 Izumisawa .
- D. 358,314 5/1995 Izumisawa .
- D. 364,544 11/1995 Izumisawa .
- 3,363,699 1/1968 Maffey, Jr. 173/93.5
- 5,379,851 1/1995 Huang 173/93 X

OTHER PUBLICATIONS

Rodac Industrial Air Tools date unknown.
Zone King Industrial Co., Ltd. date unknown.
RF Air Tools date unknown.
Automotive Power Tools, Ingersoll-Rand Catalog date unknown.

Chicago Pneumatic Automotive Air Tools, pp. 5 and 7.
Matco Tool and Equipment, 1992-93, pp. 162-164.
Air Tools, 1992, p. 2.
Ingersoll-Rand, 1992.
Chicago Pneumatic Automotive Air Tools, 1990.
Florida Pneumatic date unknown.
Dynabrade Automotive Finishing Systems, 1992.
Buffalo Tools and Accessories, 1992.
Astro Power, Astro Pneumatic Tool Company date unknown.
Viking Air Tools date unknown.
Mac Tools date unknown.
Raider Air Tools, Florida Pneumatic date unknown.
Sioux Tools, Inc. date unknown.
Snap-On Worldwide date unknown.
Sunex Automotive Tools & Equipment, 1990-91.

Primary Examiner—Antoine Duval Davis
Attorney, Agent, or Firm—Greer, Burns & Crain, Ltd.

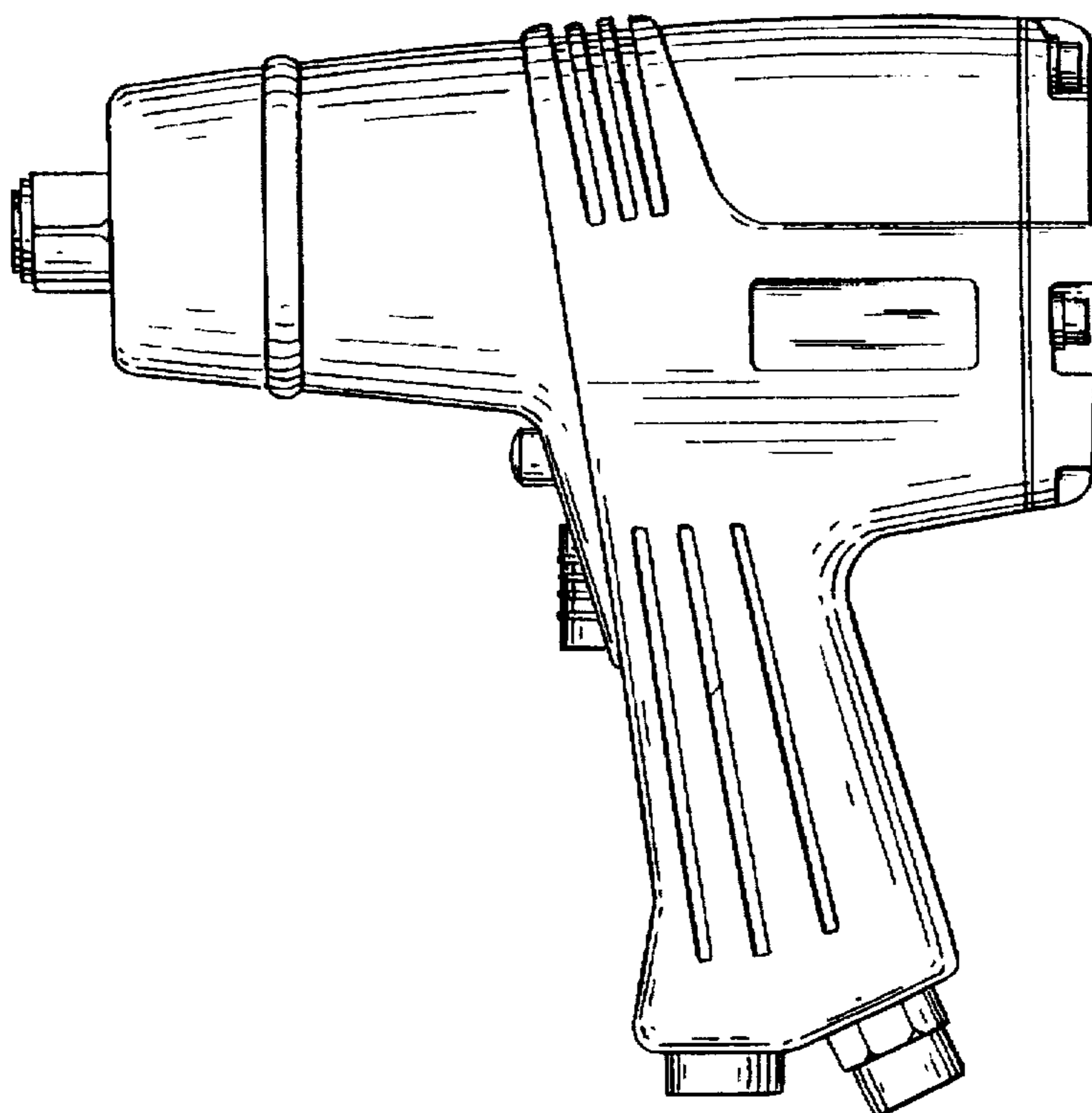
[57] **CLAIM**

The ornamental design for an impact wrench, as shown and described.

DESCRIPTION

FIG. 1 is a right side view of an impact wrench showing my design;
FIG. 2 is a rear view thereof;
FIG. 3 is a top view thereof;
FIG. 4 is a left side view thereof;
FIG. 5 is a front view thereof; and,
FIG. 6 is a bottom view thereof.

1 Claim, 2 Drawing Sheets



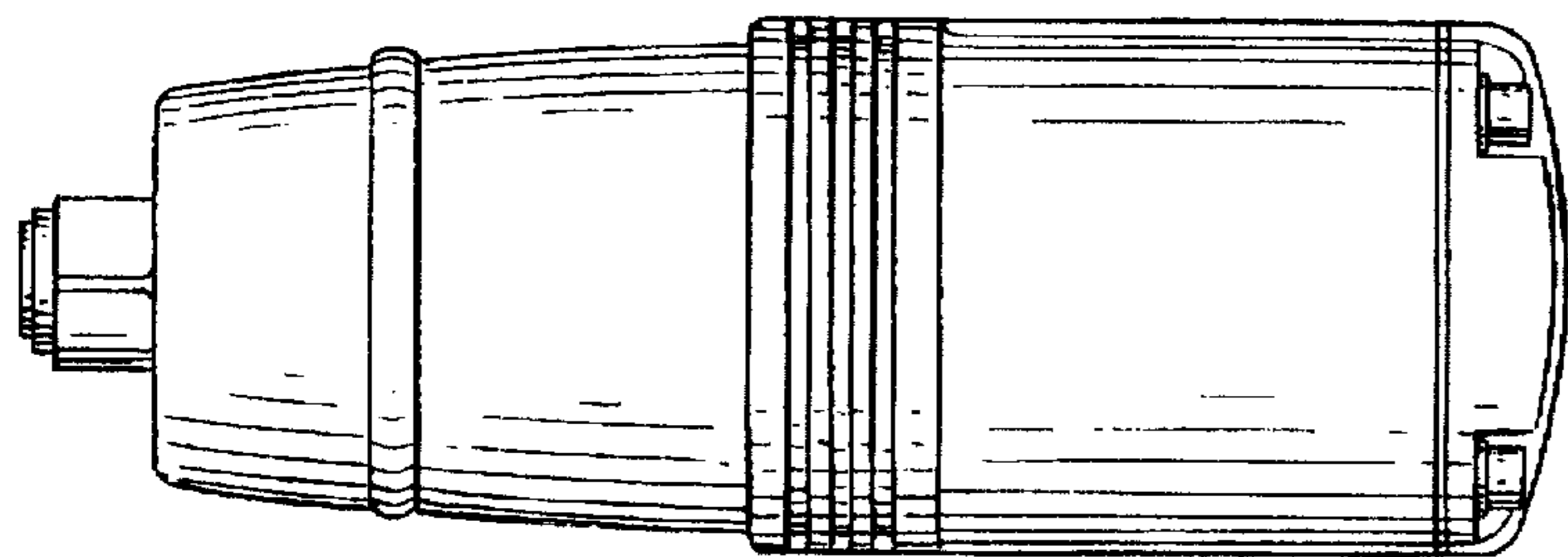


FIG. 3

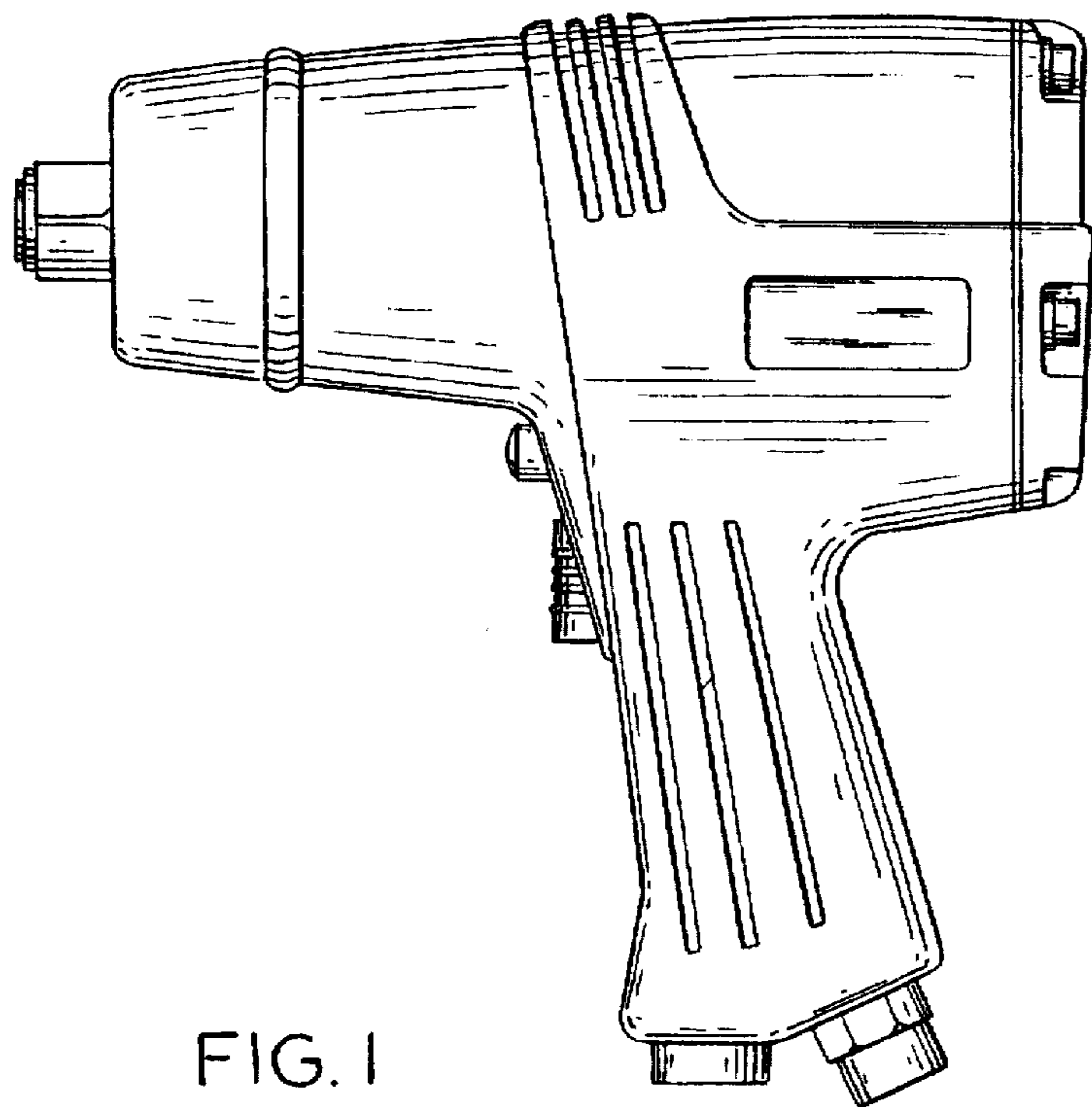


FIG. 1

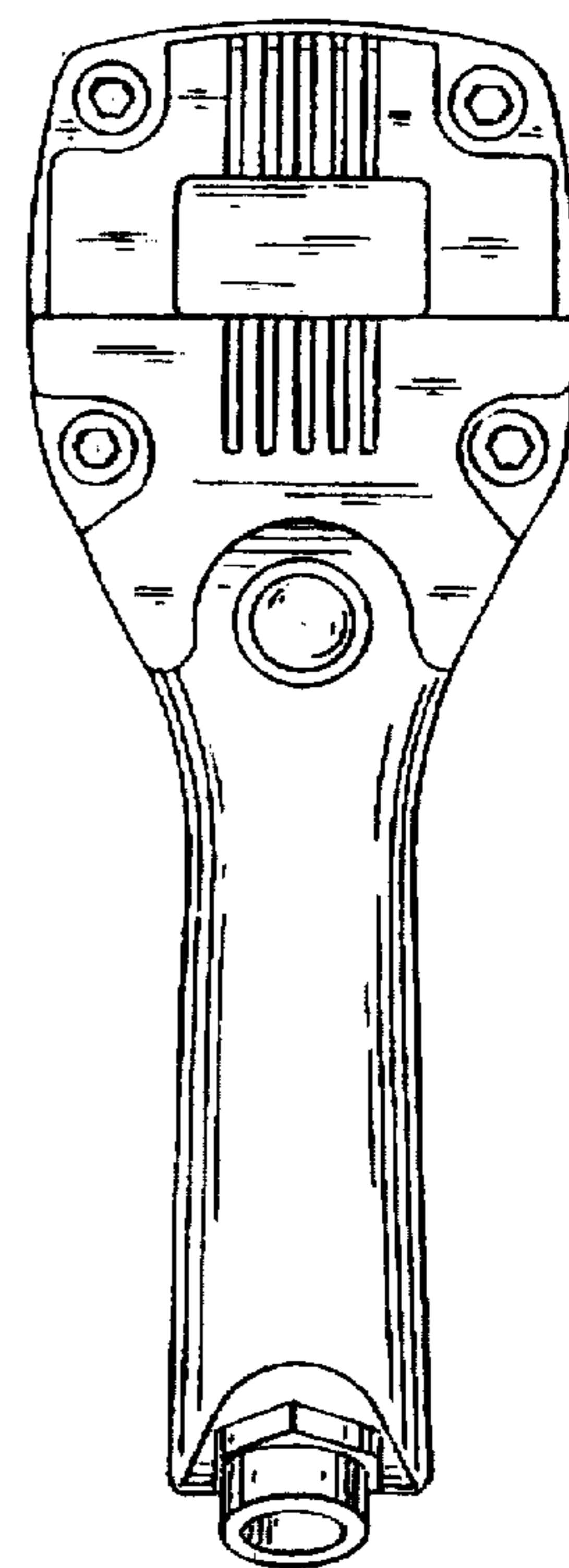


FIG. 2

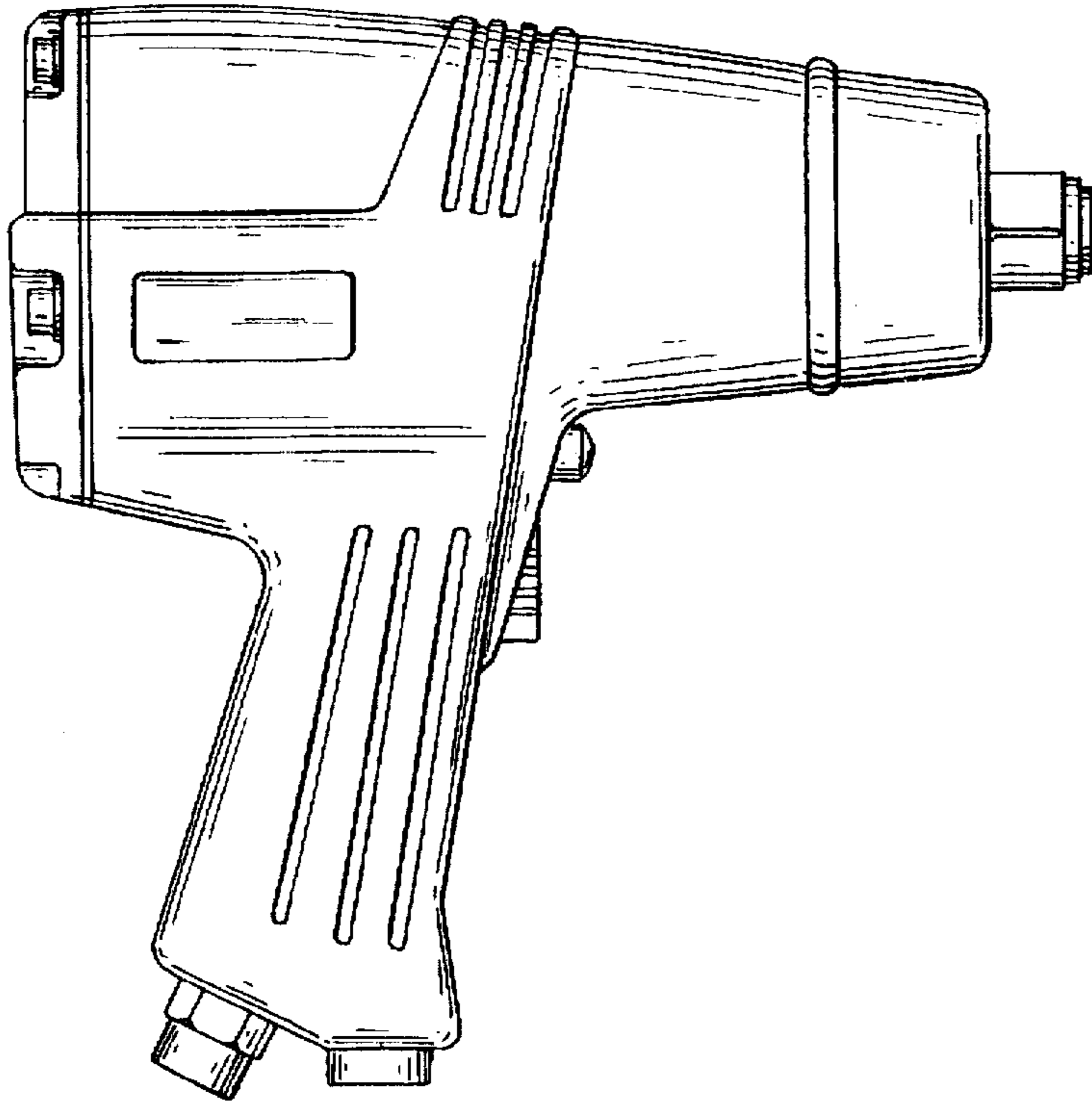


FIG. 4

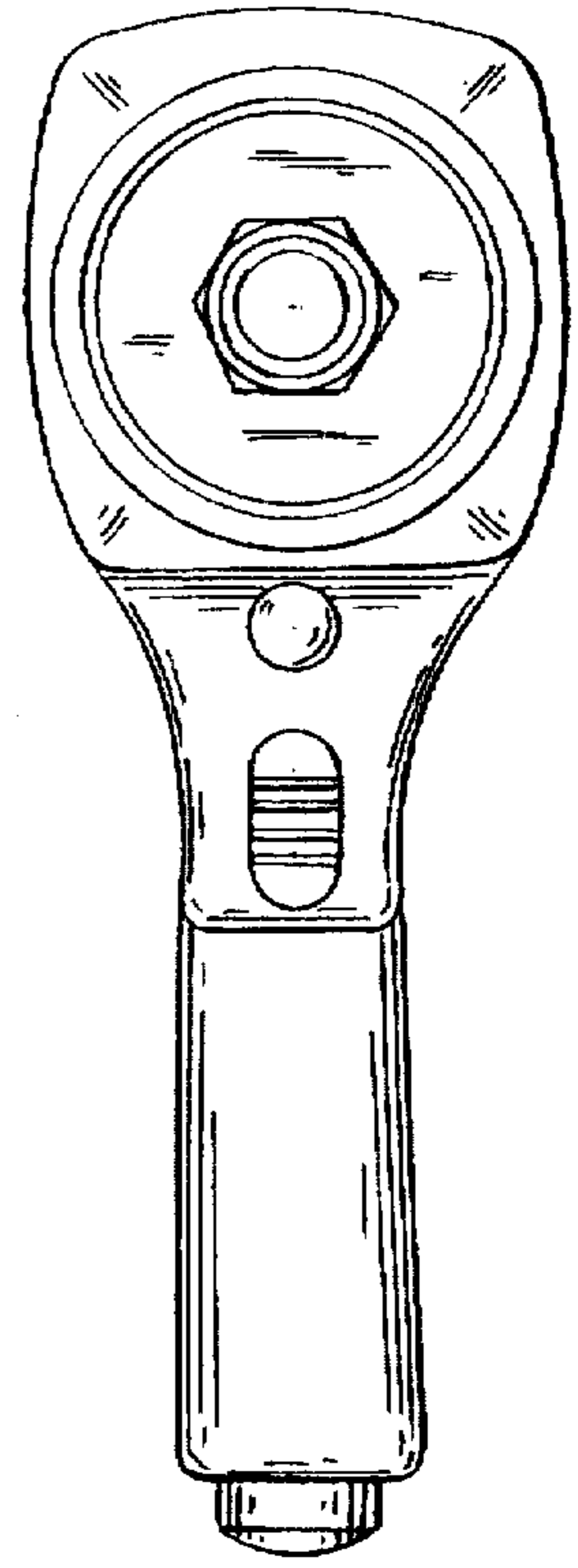


FIG. 5

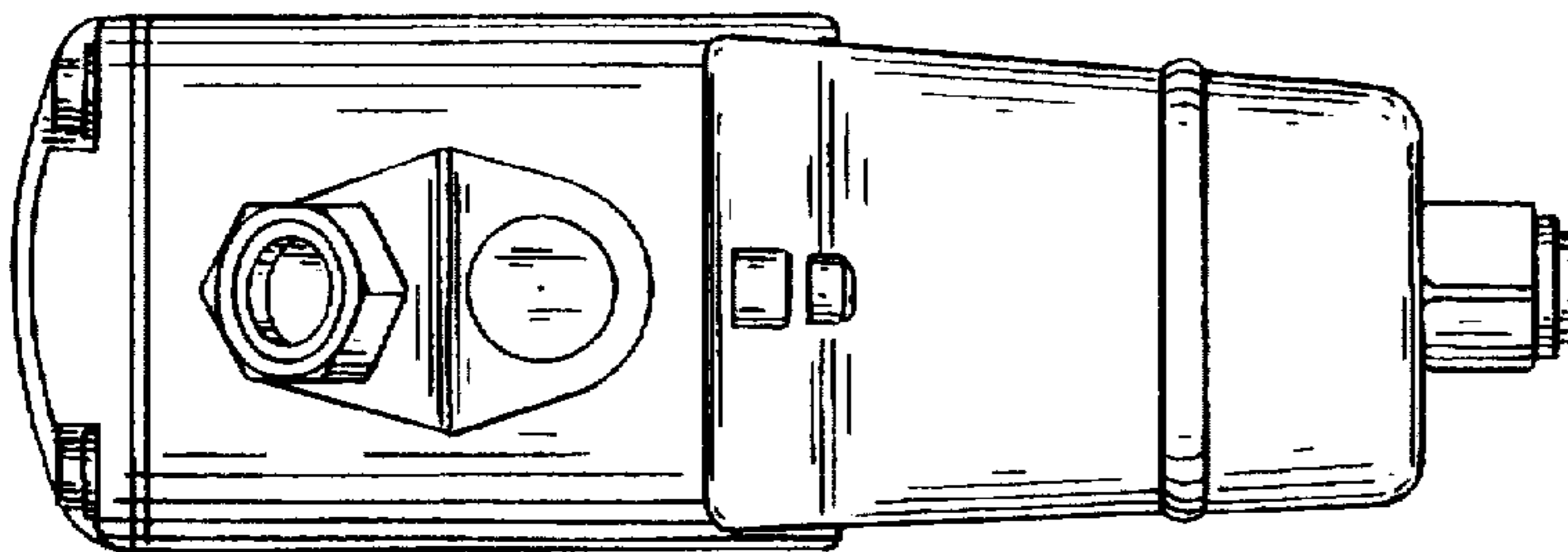


FIG. 6