



US00D384560S

United States Patent [19]
Smekal

[11] **Patent Number:** **Des. 384,560**
[45] **Date of Patent:** ****Oct. 7, 1997**

[54] **METAL FOLDING TOOL**

[76] **Inventor:** **Jerry Smekal**, 2223 Bourbon Dr.,
Hayward, Calif. 94545

[**] **Term:** **14 Years**

[21] **Appl. No.:** **47,622**

[22] **Filed:** **Dec. 8, 1995**

[51] **LOC (6) Cl.** **08-05**

[52] **U.S. Cl.** **D8/14**

[58] **Field of Search** D8/14, 15, 45;
D32/49; 15/236.08; 294/19.1; 30/355; 29/270.
278; 72/458, 479, 319

[56] **References Cited**

U.S. PATENT DOCUMENTS

D. 258,111	2/1981	Christen	D32/49
401,442	4/1889	Lefébure	15/236.08
3,559,267	2/1971	Castellani	D8/14 X
4,191,043	3/1980	Schaffer	72/319

Primary Examiner—Sandra L. Morris
Assistant Examiner—Richelle Shelton
Attorney, Agent, or Firm—Harold H. Dutton, Jr.; Diane F. Liebman

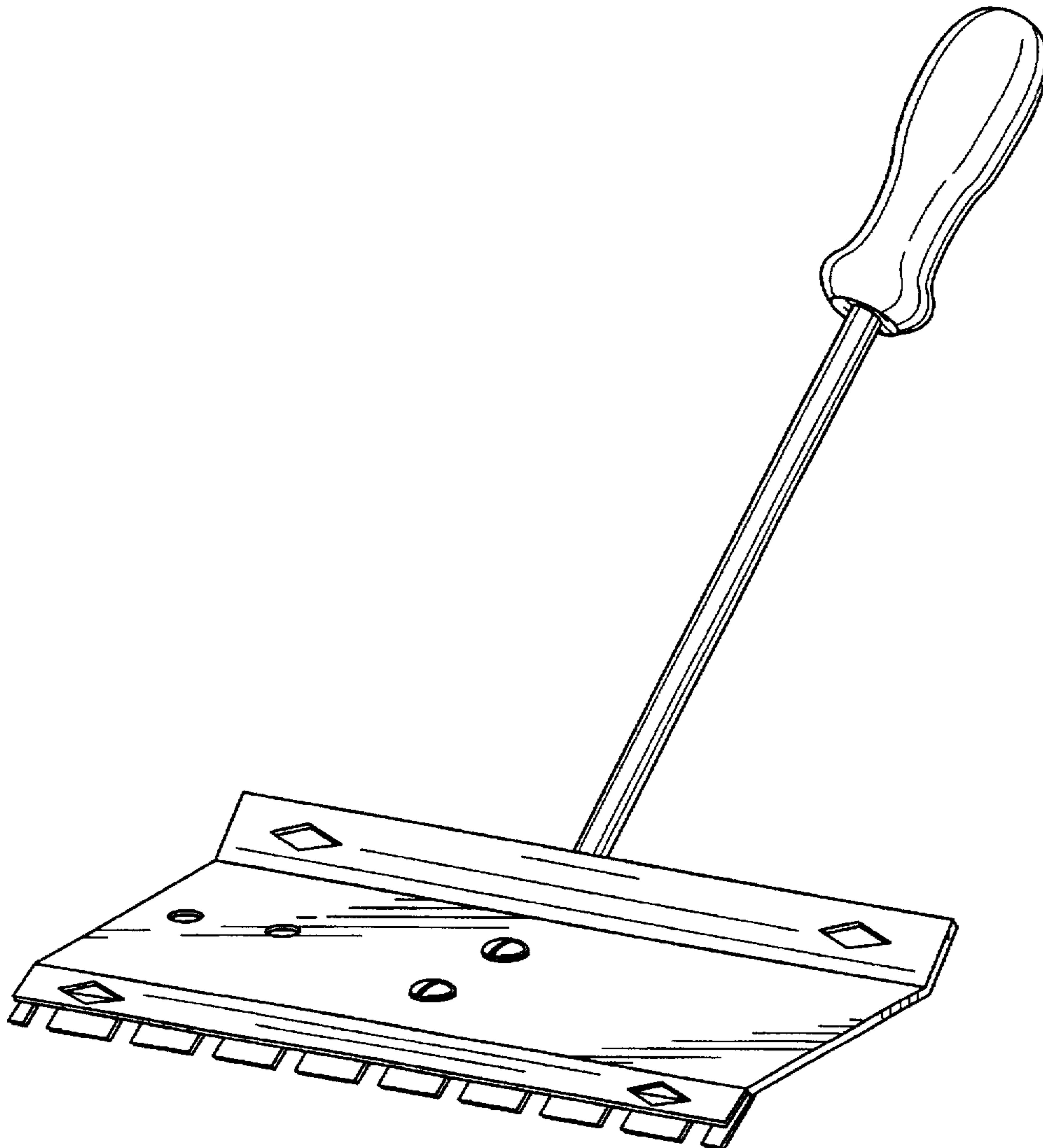
[57] **CLAIM**

The ornamental design for a metal folding tool, as shown and described.

DESCRIPTION

FIG. 1 is a perspective view of a metal folding tool showing my new design;
FIG. 2 is a top view thereof;
FIG. 3 is a bottom view thereof;
FIG. 4 is a front view thereof;
FIG. 5 is a right side view thereof; and,
FIG. 6 is a rear view thereof.
The side opposite to that shown in FIG. 5 is a mirror image thereof.
FIGS. 2-6 are shown on a reduced scale.

1 Claim, 3 Drawing Sheets



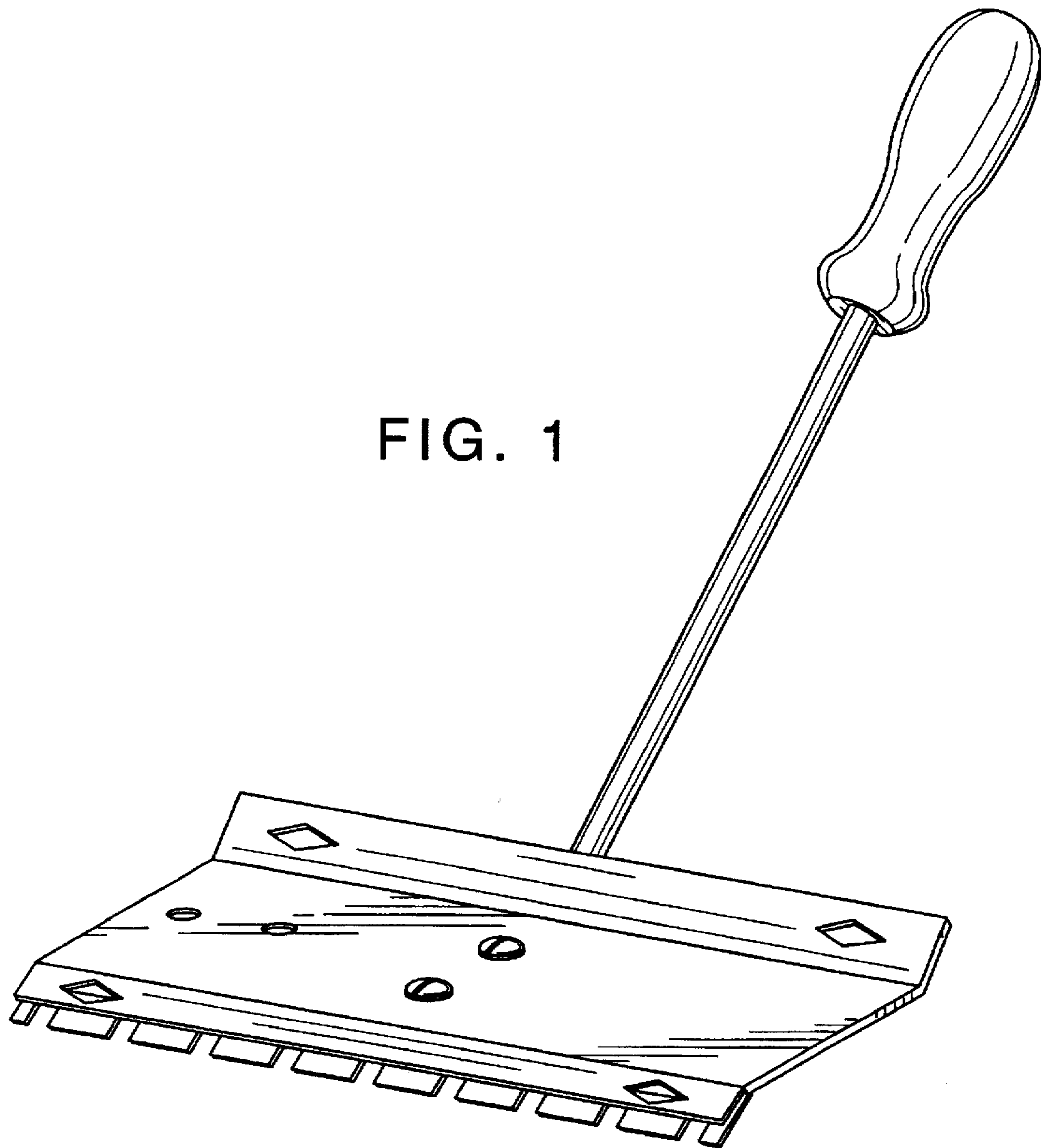


FIG. 1

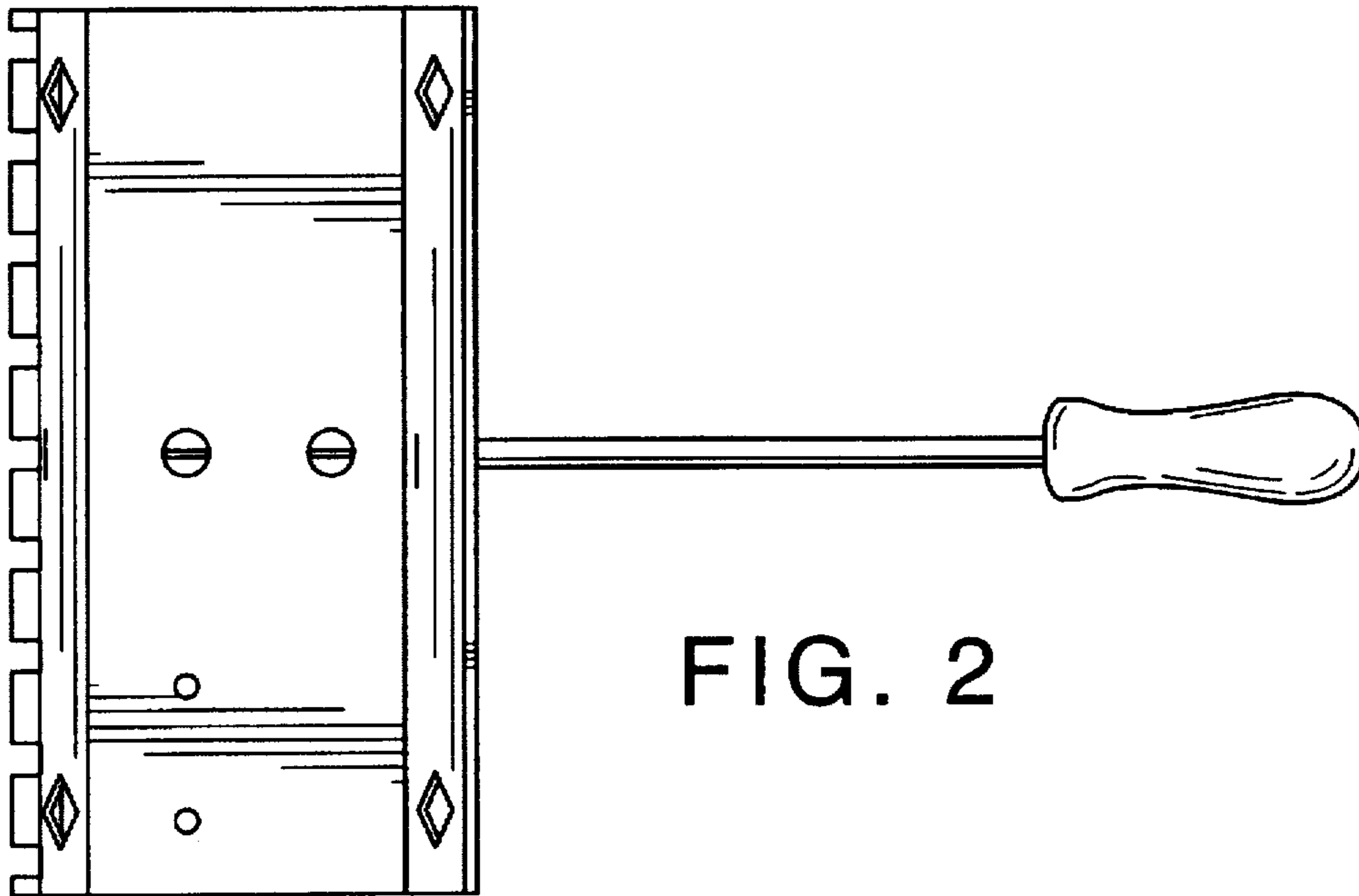


FIG. 2

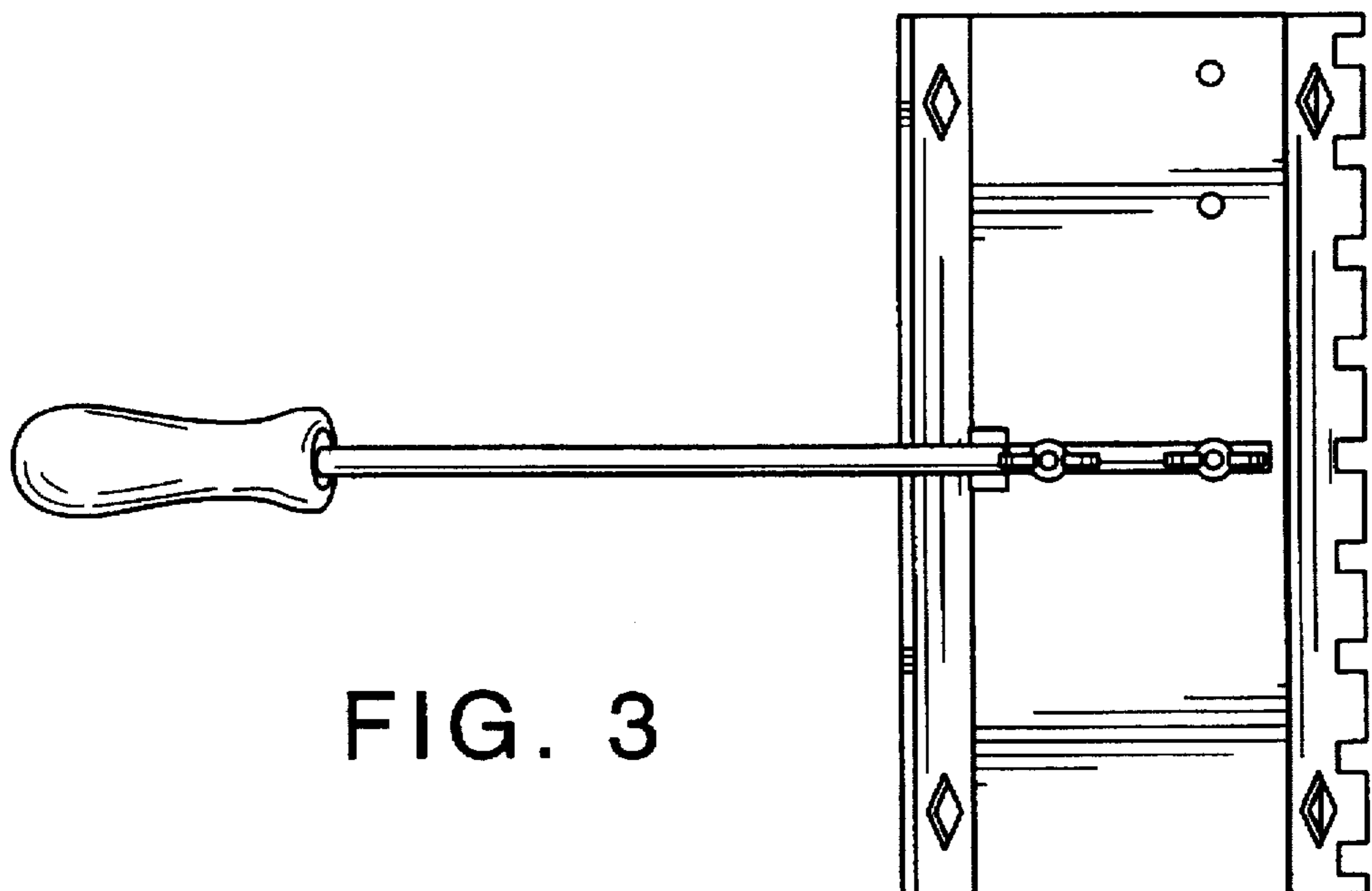


FIG. 3

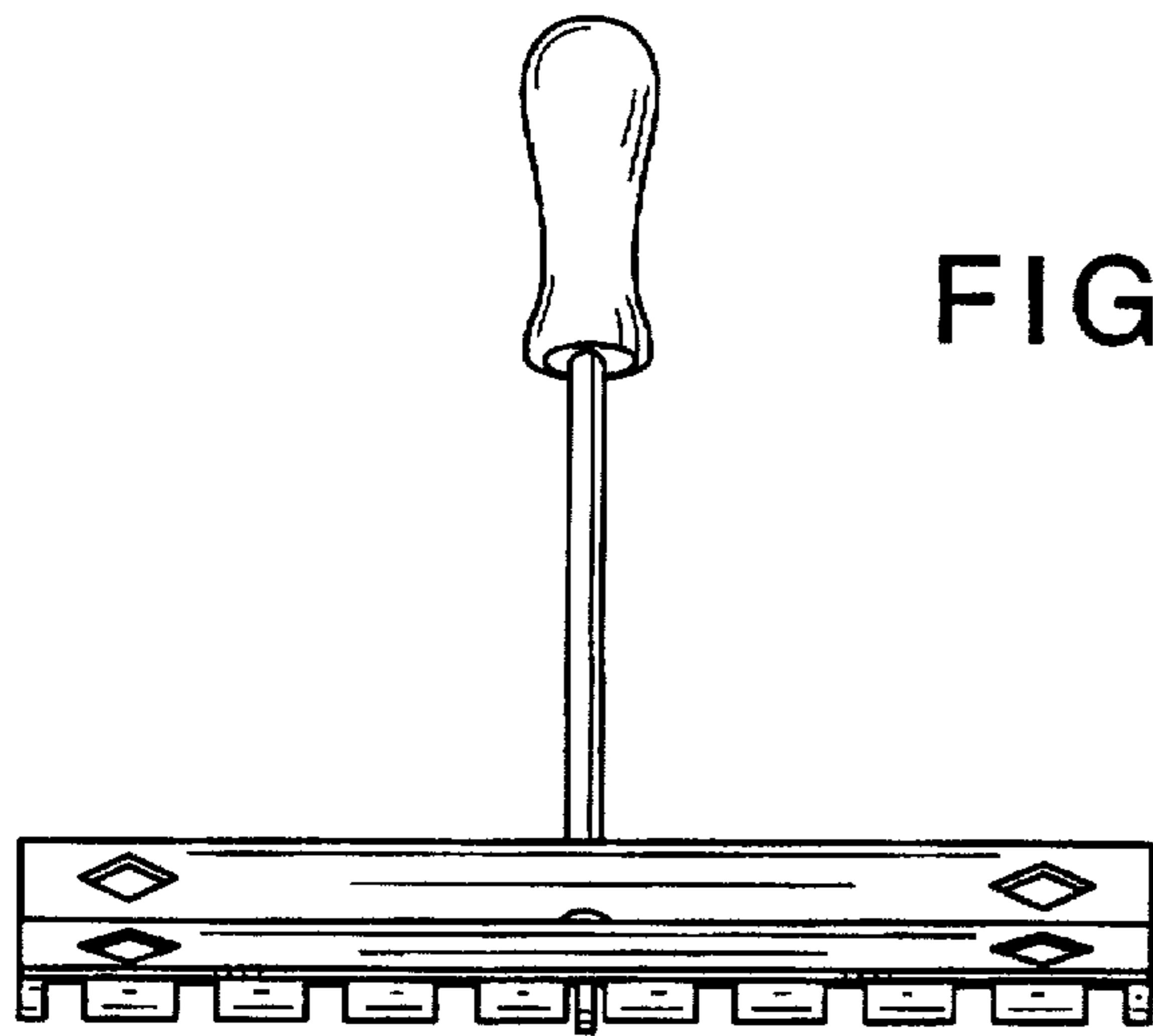


FIG. 4

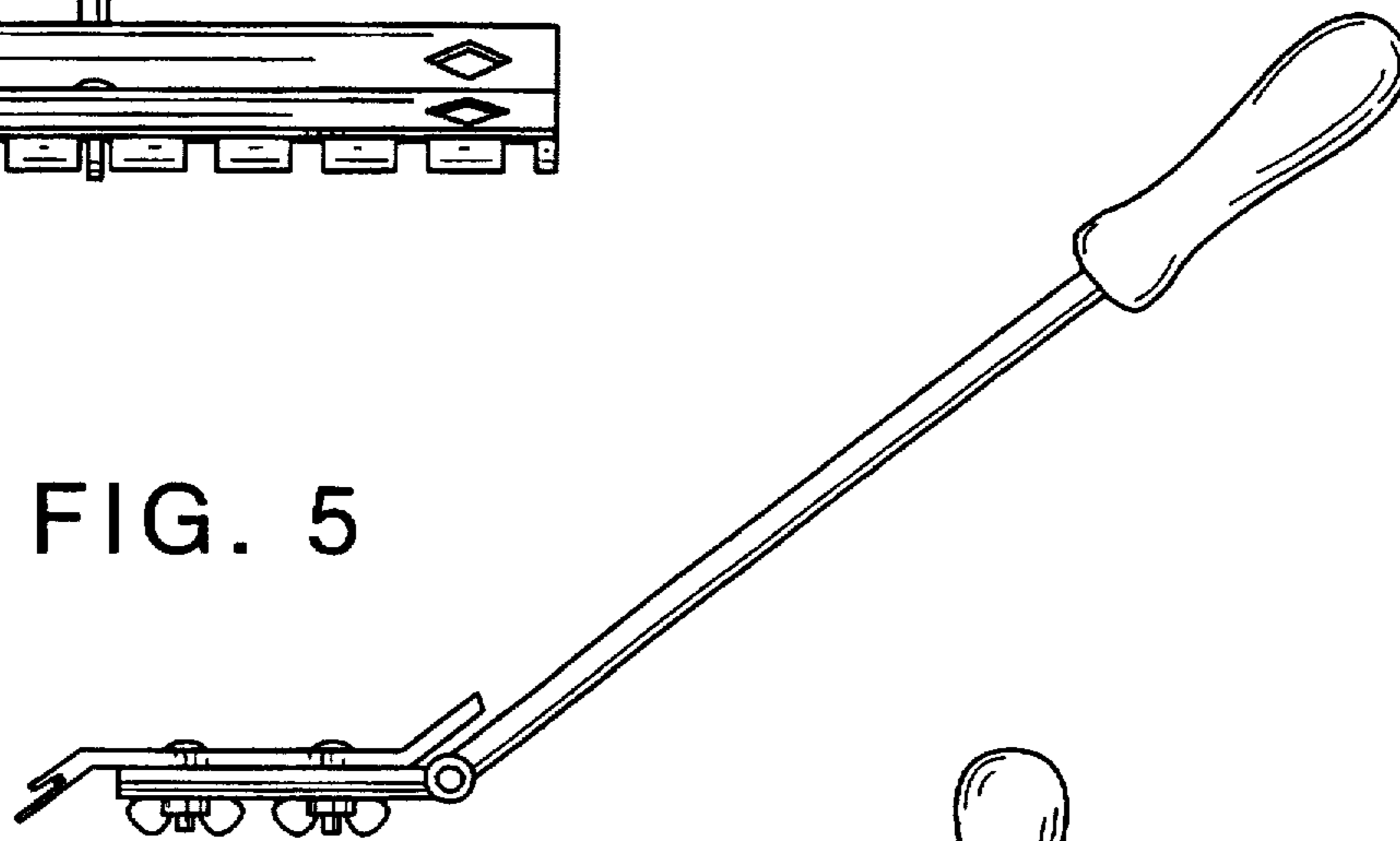


FIG. 5

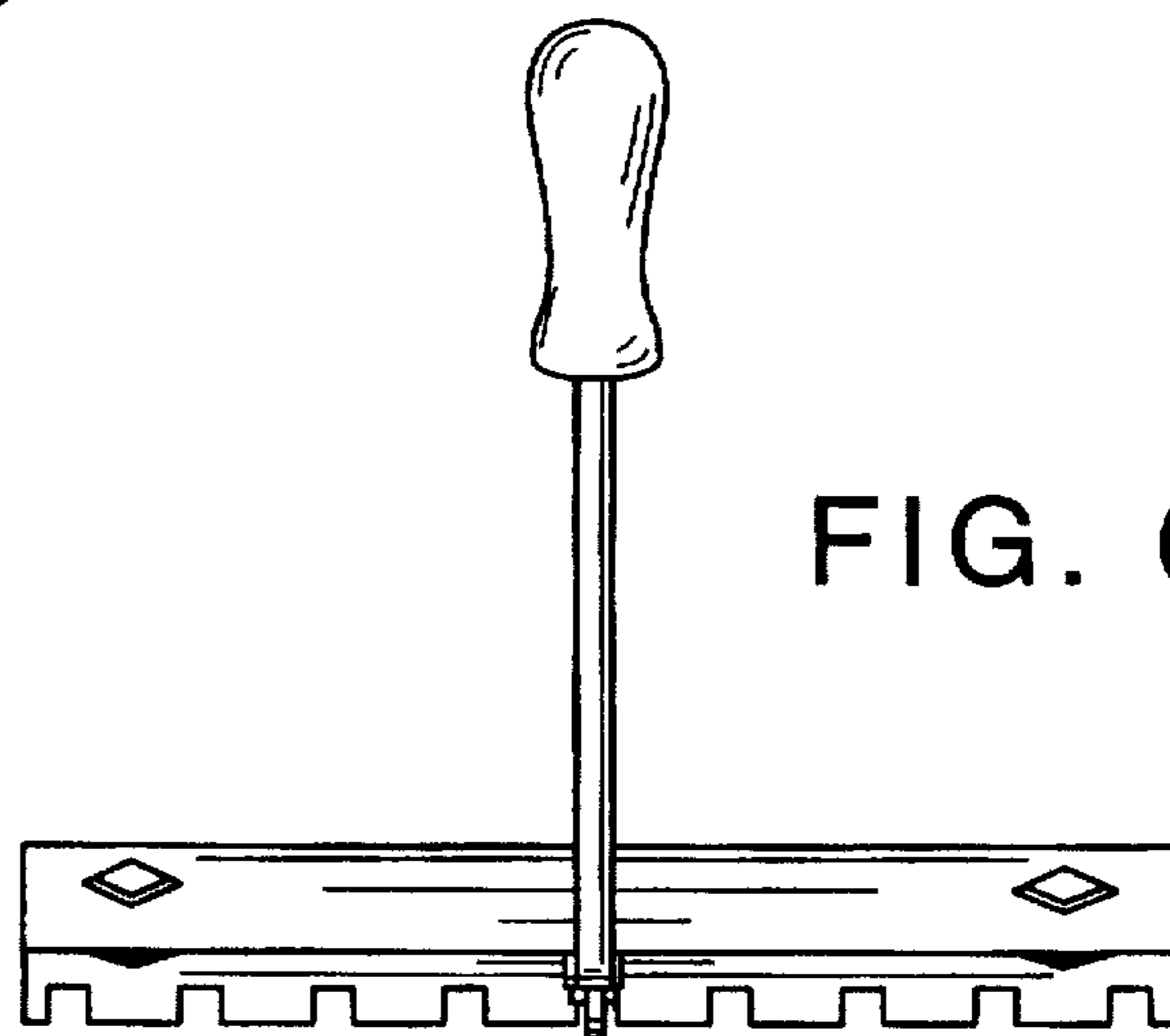


FIG. 6