



US00D384548S

United States Patent [19]
Hsieh

[11] **Patent Number:** **Des. 384,548**
[45] **Date of Patent:** ****Oct. 7, 1997**

[54] **FOOD AGITATOR**

[76] **Inventor:** **Chin-yan Hsieh**, No. 11, Lane 85,
Chingyun St., Kushan Dist., Kaohsiung,
Taiwan

[**] **Term:** **14 Years**

[21] **Appl. No.:** **58,091**

[22] **Filed:** **Aug. 7, 1996**

[51] **LOC (6) Cl.** **31-00**

[52] **U.S. Cl.** **D7/376**

[58] **Field of Search** **D7/376, 377; D15/19;**
219/433; 366/1, 44, 45, 54, 57, 135, 175.3,
185, 187, 219, 220, 282, 608

[56] **References Cited**

U.S. PATENT DOCUMENTS

D. 312,188 11/1990 Otto **D7/376**
4,173,925 11/1979 Leon **366/220 X**

Primary Examiner—Caron D. Veynar
Attorney, Agent, or Firm—Martin Korn

[57] **CLAIM**

The ornamental design for a food agitator, as shown.

DESCRIPTION

FIG. 1 is a perspective view from the front, top and right side of a food agitator showing my new design;

FIG. 2 is a front elevational view thereof;

FIG. 3 is a rear elevational view thereof;

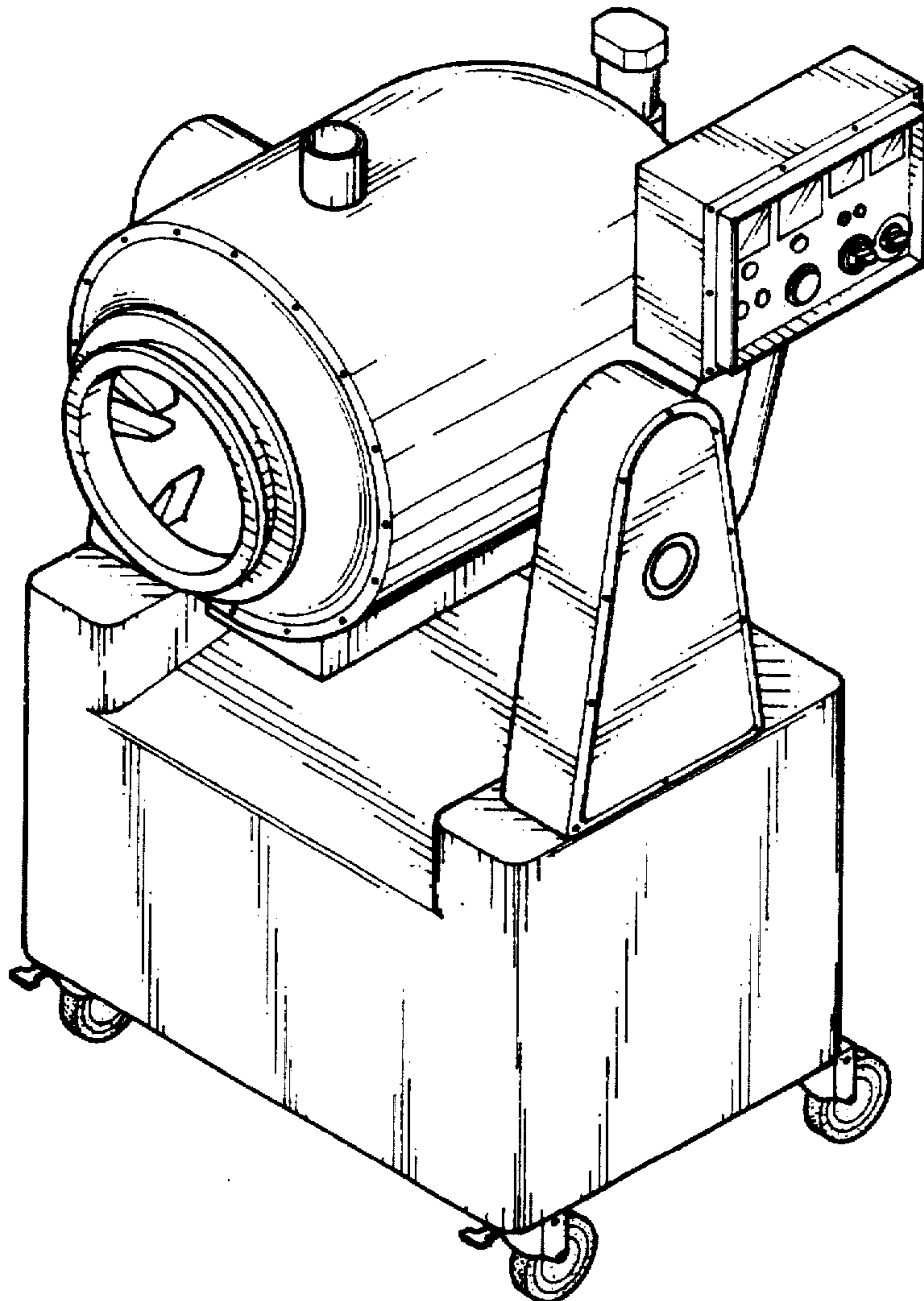
FIG. 4 is a left side elevational view thereof;

FIG. 5 is a right side elevational view thereof;

FIG. 6 is a top plane view thereof; and,

FIG. 7 is a bottom plane view thereof.

1 Claim, 4 Drawing Sheets



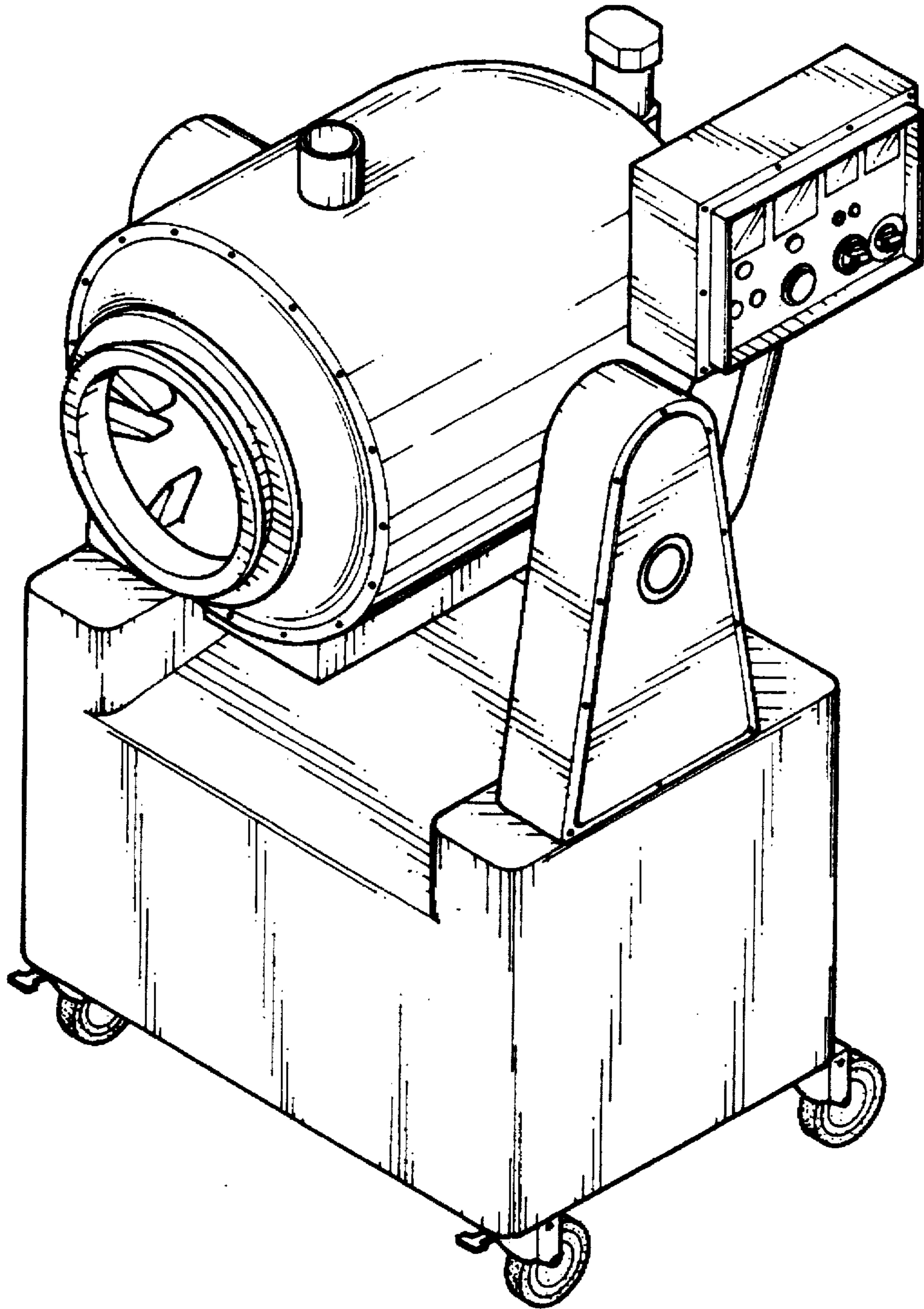


FIG. 1

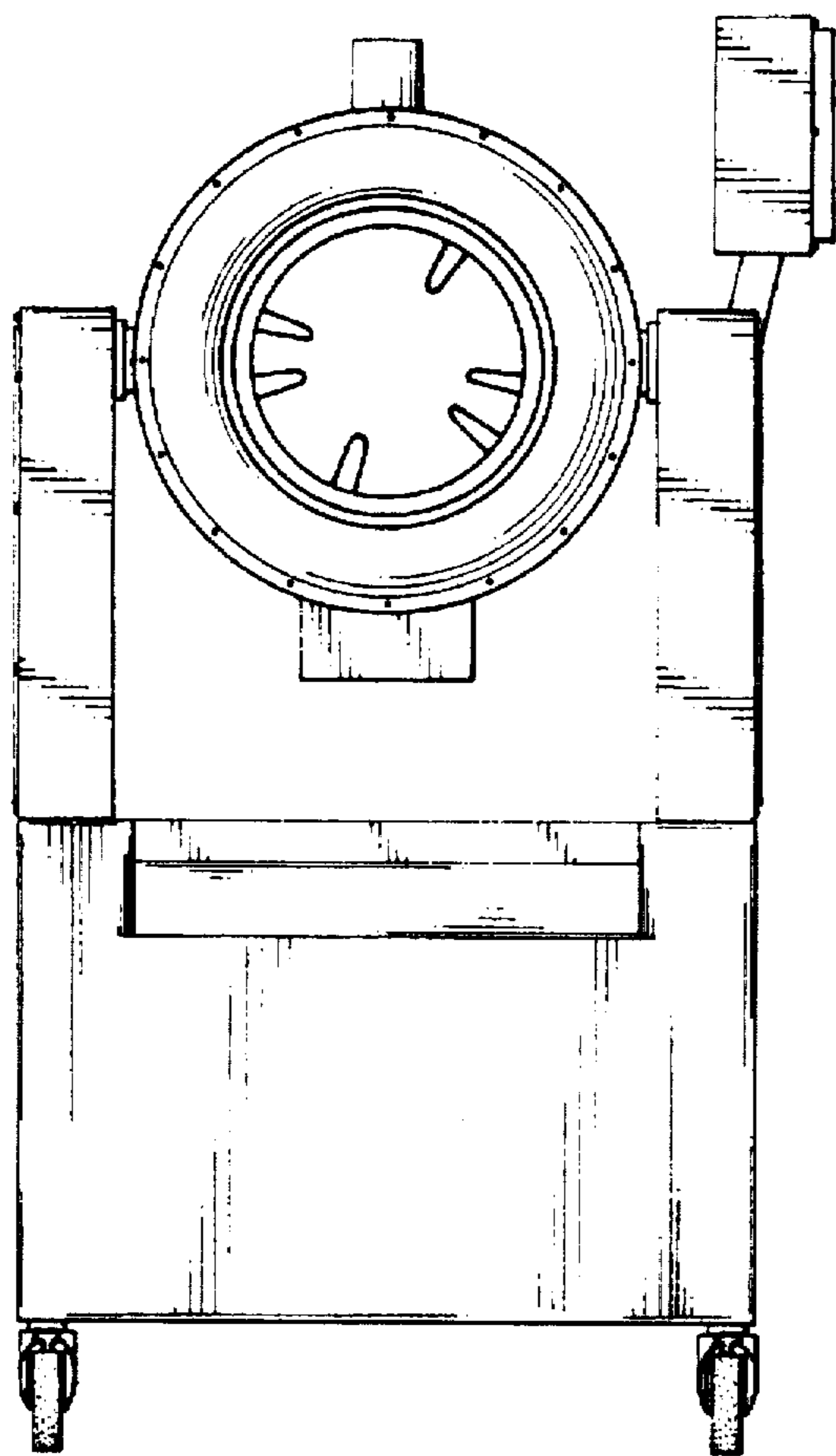


FIG. 2

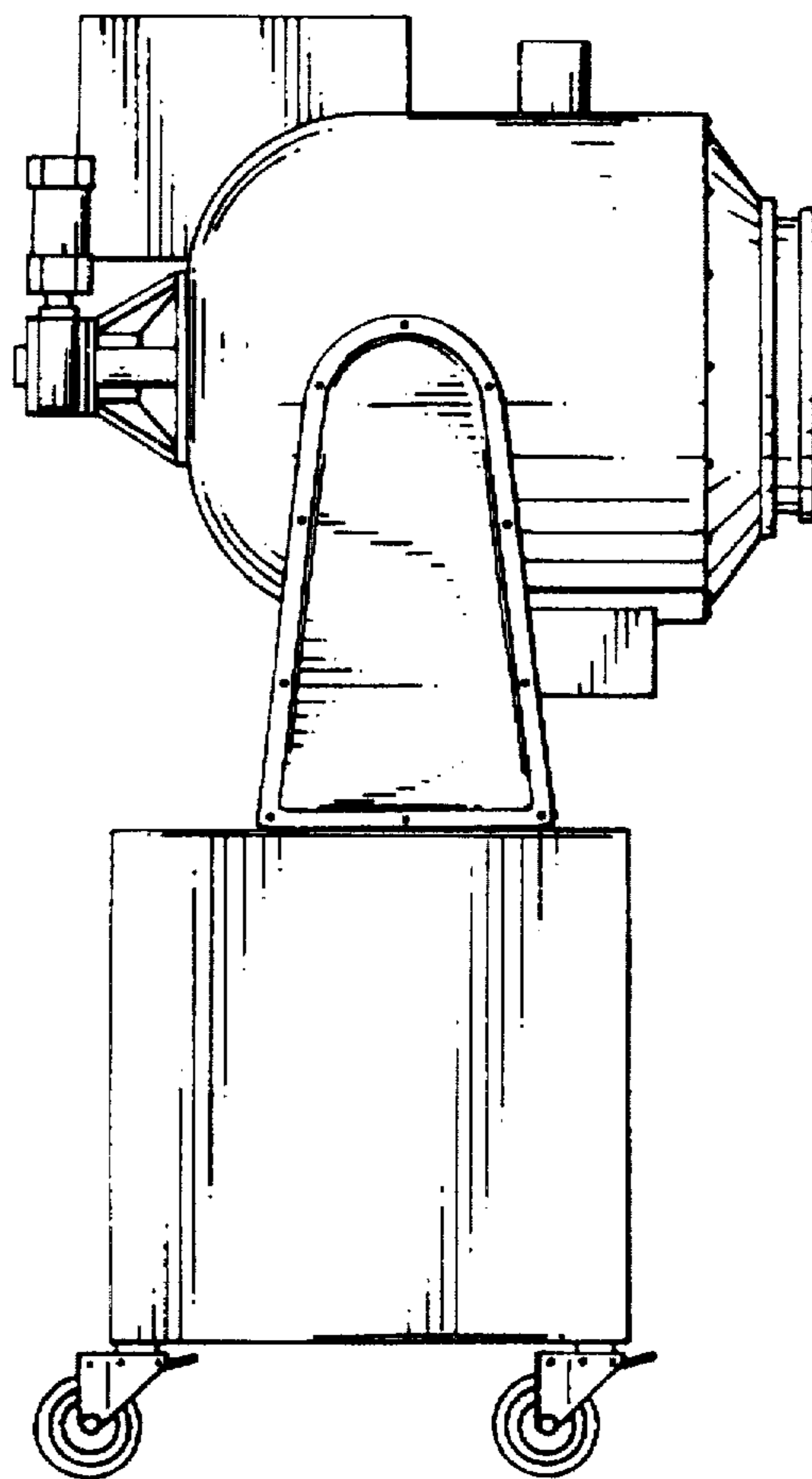


FIG. 4

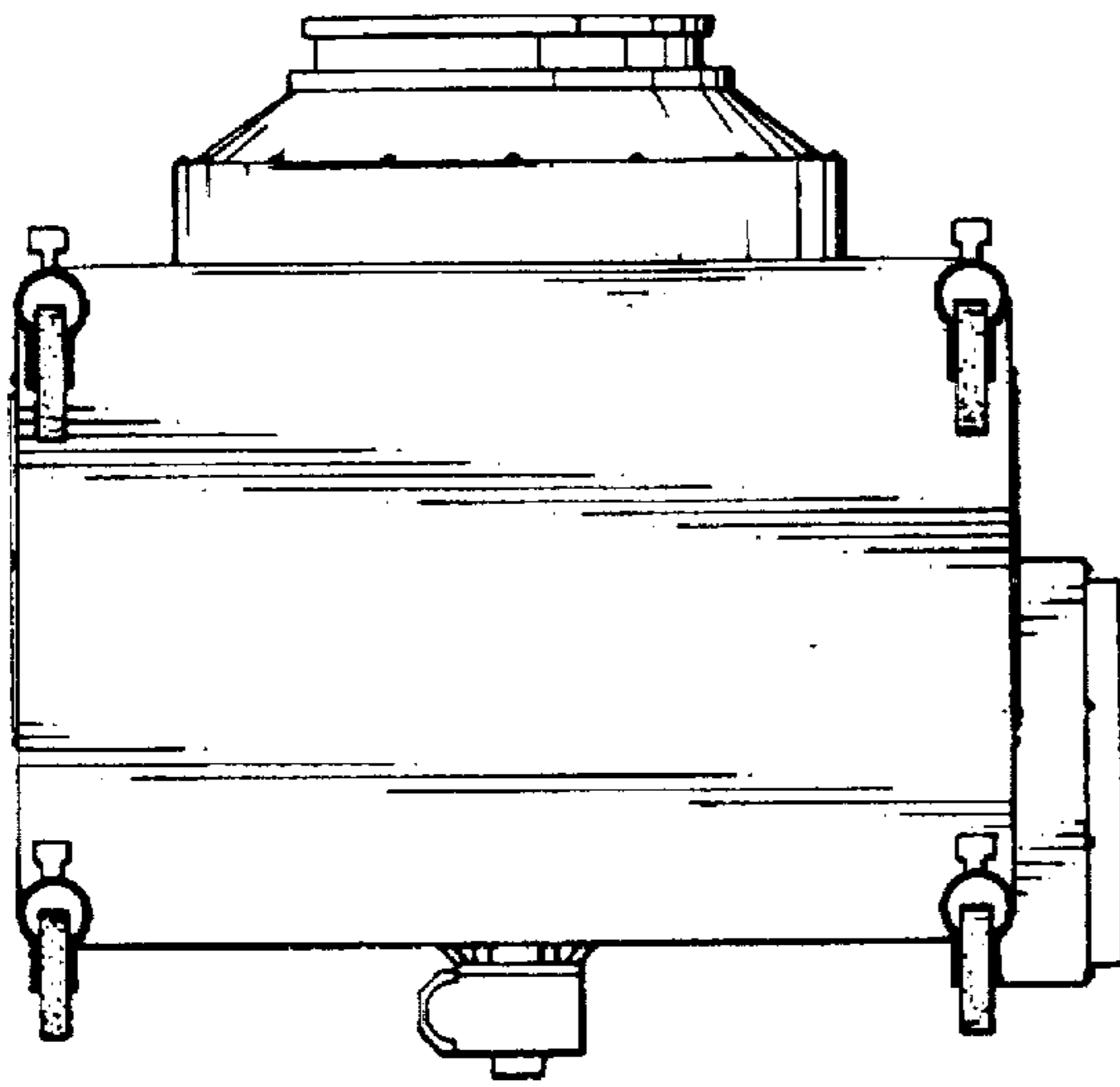


FIG. 7

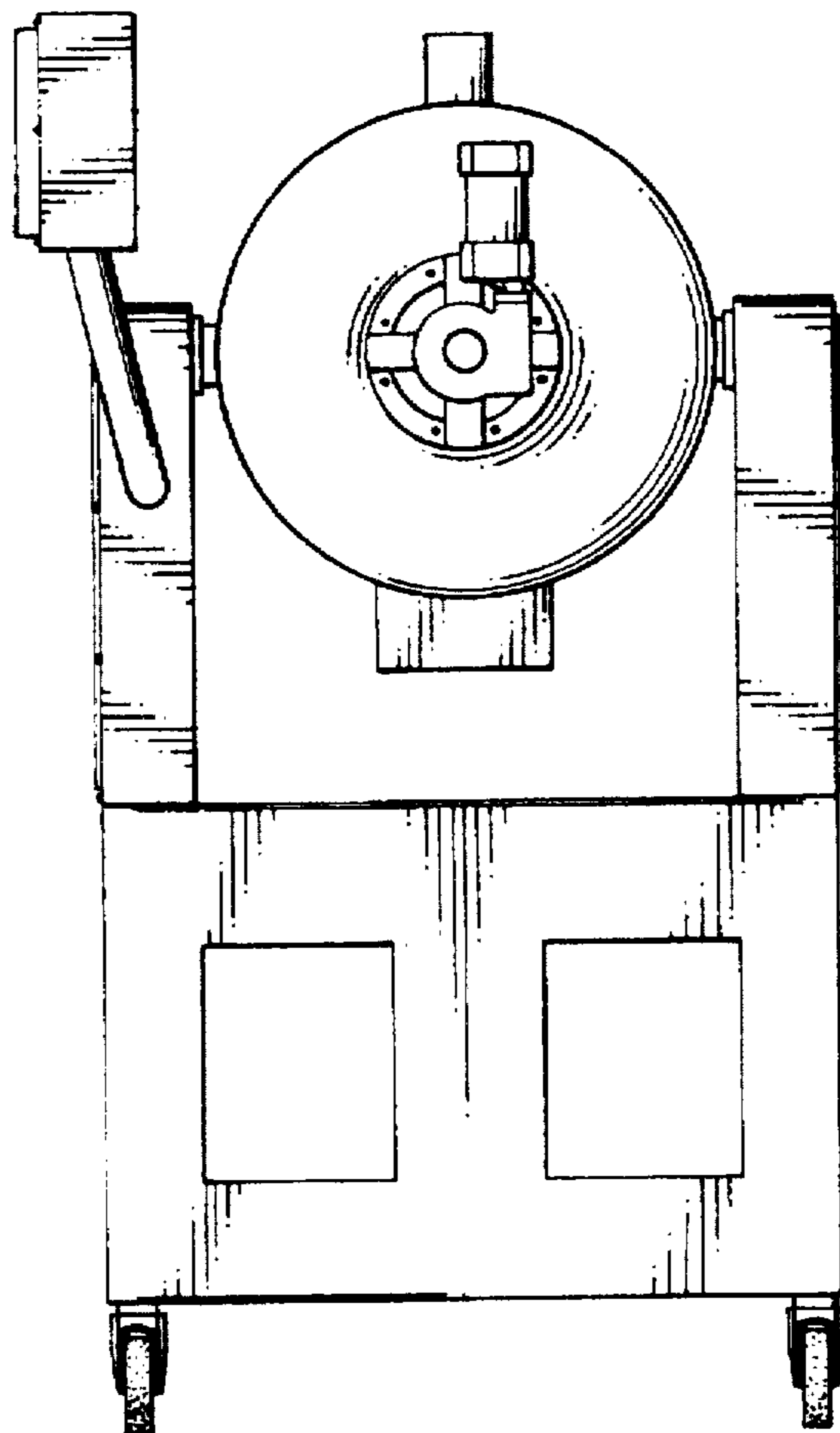


FIG. 3

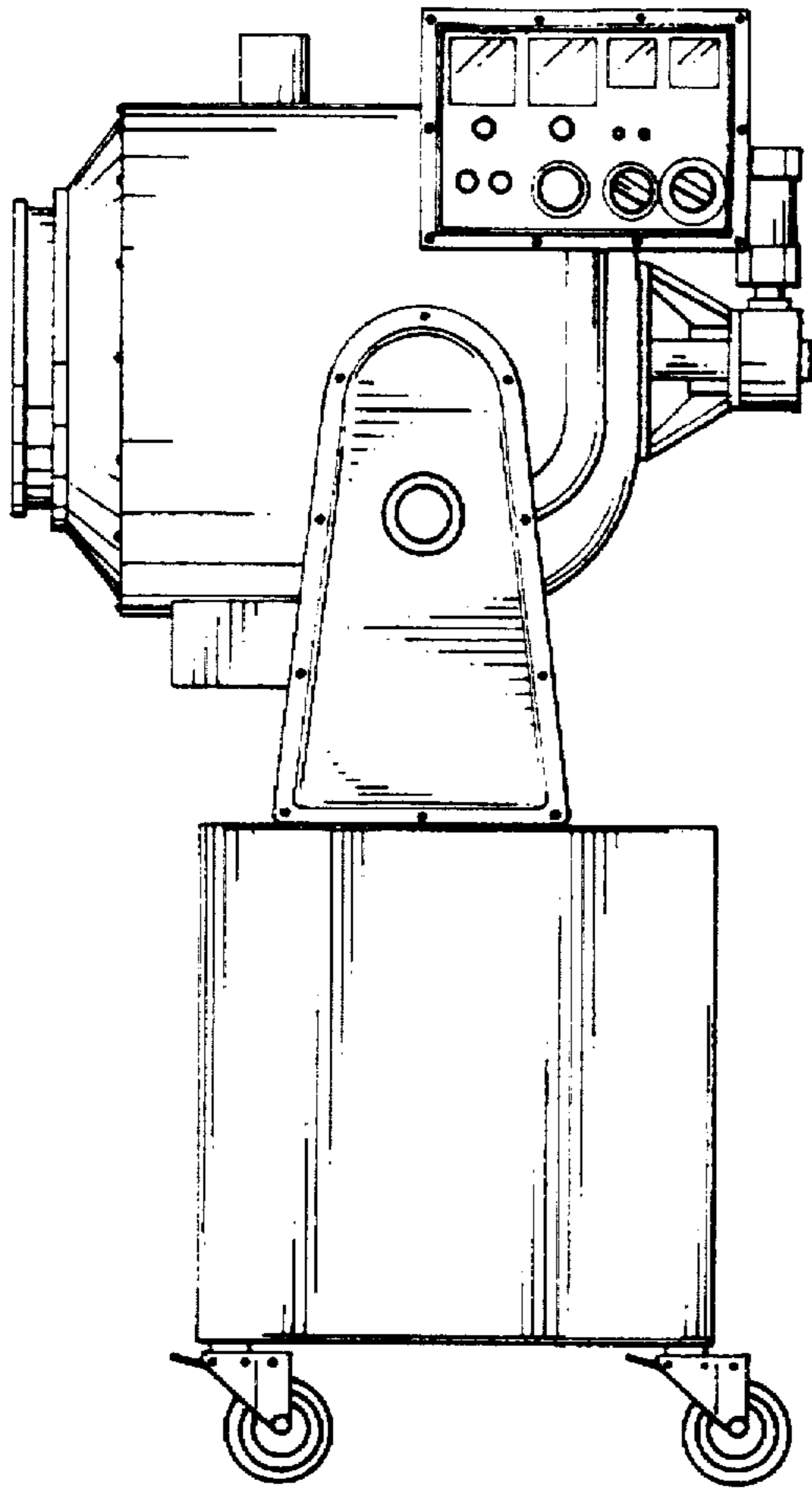


FIG. 5

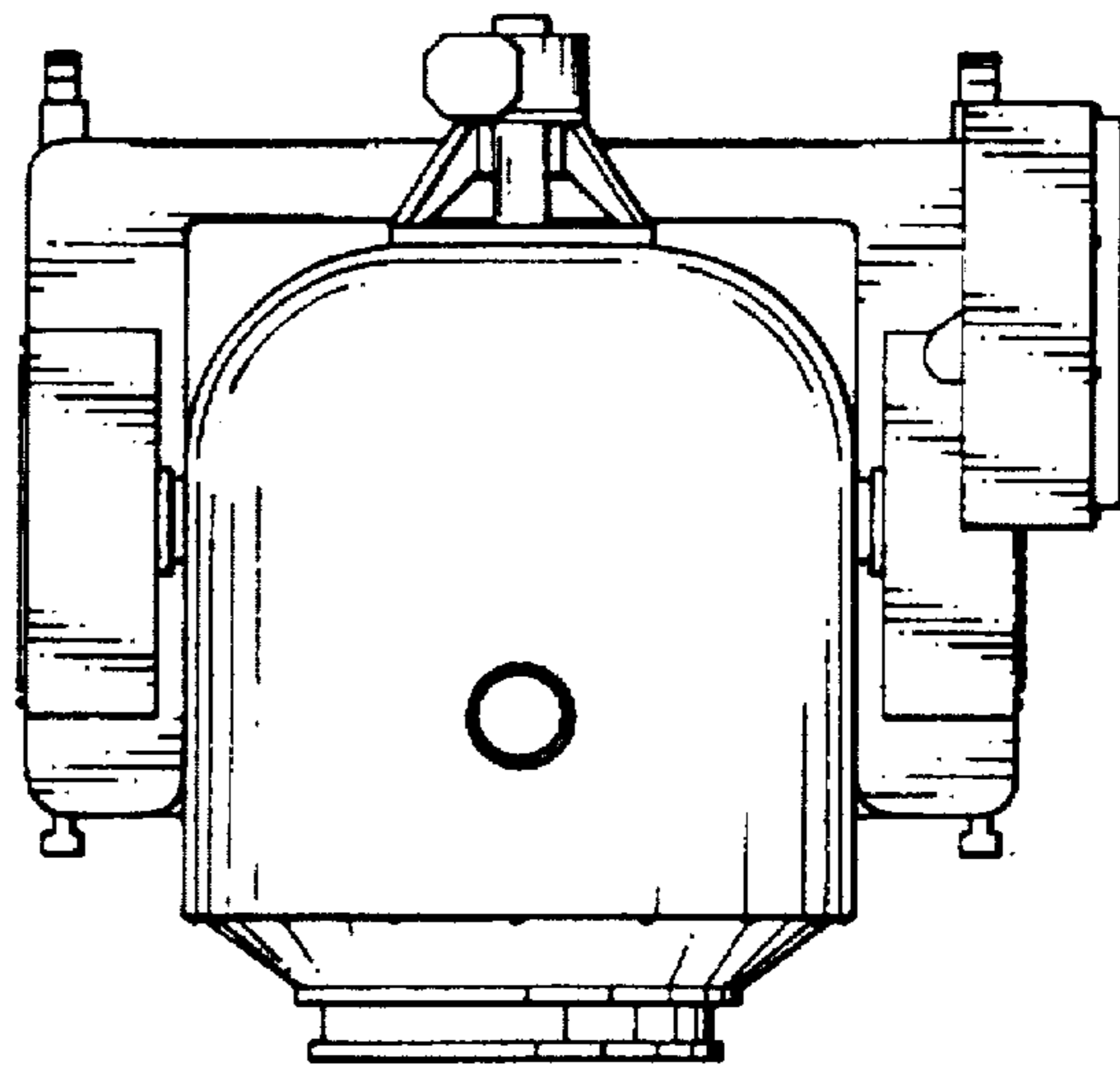


FIG. 6