



US00D384547S

United States Patent [19]

Roussard et al.

[11] Patent Number: **Des. 384,547**

[45] Date of Patent: ****Oct. 7, 1997**

[54] **PRESSURE COOKER**

[75] Inventors: **Philippe Roussard, Selongey; Eric Rhetat, Fontaine-Les-Dijon, both of France**

[73] Assignee: **SEB, Selongey, France**

[**] Term: **14 Years**

[21] Appl. No.: **57,392**

[22] Filed: **Jul. 24, 1996**

[30] **Foreign Application Priority Data**

Jan. 24, 1996 [FR] France 960502

[51] LOC (6) Cl. **07-02**

[52] U.S. Cl. **D7/358; D7/360**

[58] Field of Search D7/323, 354, 358,
D7/360, 391-392.1, 395; 99/324, 336, 403;
220/912

[56] **References Cited**

U.S. PATENT DOCUMENTS

D. 263,782 4/1982 Jackson et al. D7/358

D. 295,817 5/1988 Sebillotte D7/358
D. 365,494 12/1995 Roussard D7/358

Primary Examiner—Caron D. Veynar
Attorney, Agent, or Firm—Loeb & Loeb LLP

[57] **CLAIM**

The ornamental design for a pressure cooker, as shown.

DESCRIPTION

FIG. 1 is a right side elevational view of a pressure cooker showing my new design;

FIG. 2 is a left side elevational view thereof;

FIG. 3 is a rear elevational view thereof;

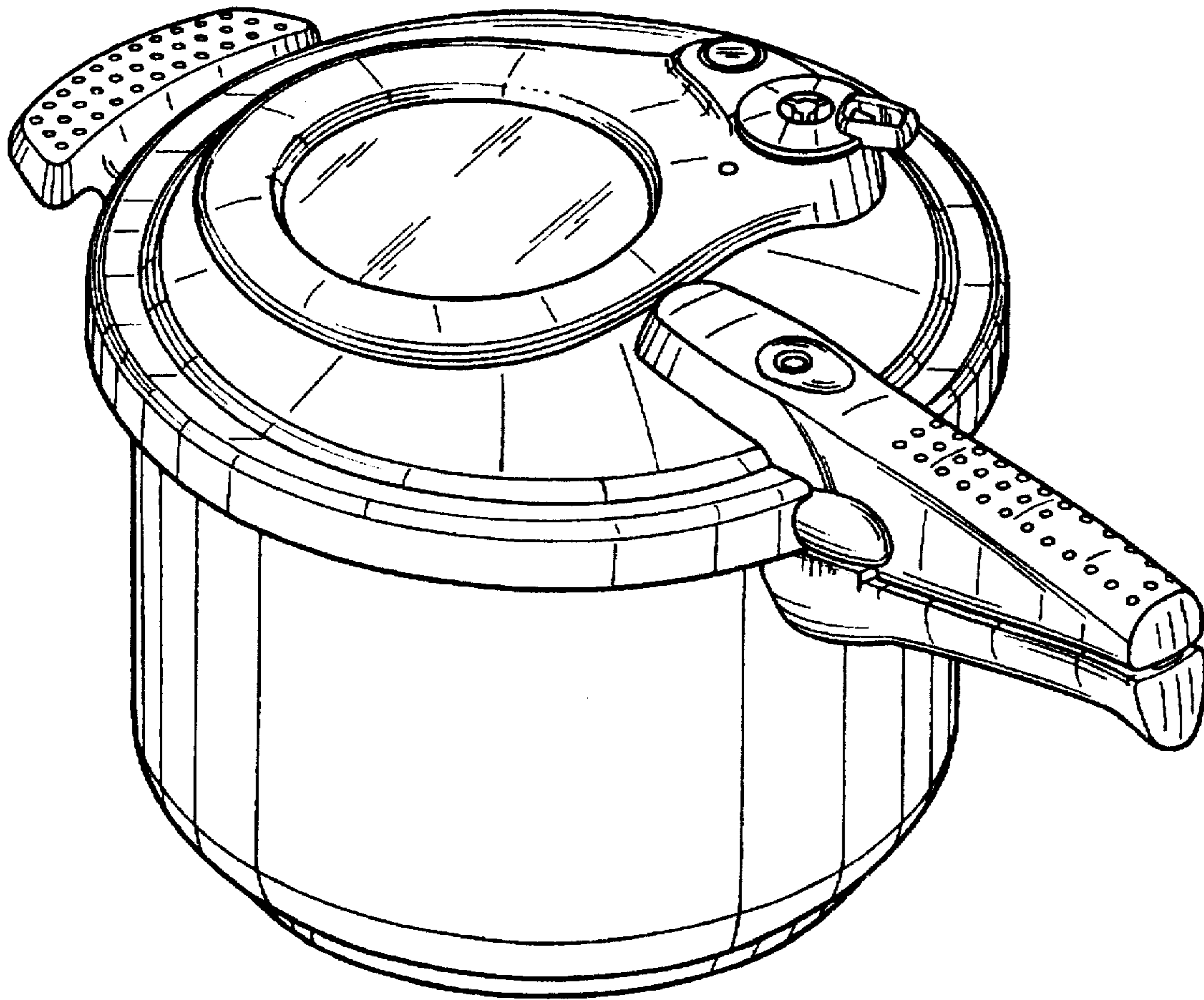
FIG. 4 is a front elevational view thereof;

FIG. 5 is a top plan view thereof;

FIG. 6 is a bottom plan view thereof; and,

FIG. 7 is a perspective view thereof.

1 Claim, 4 Drawing Sheets



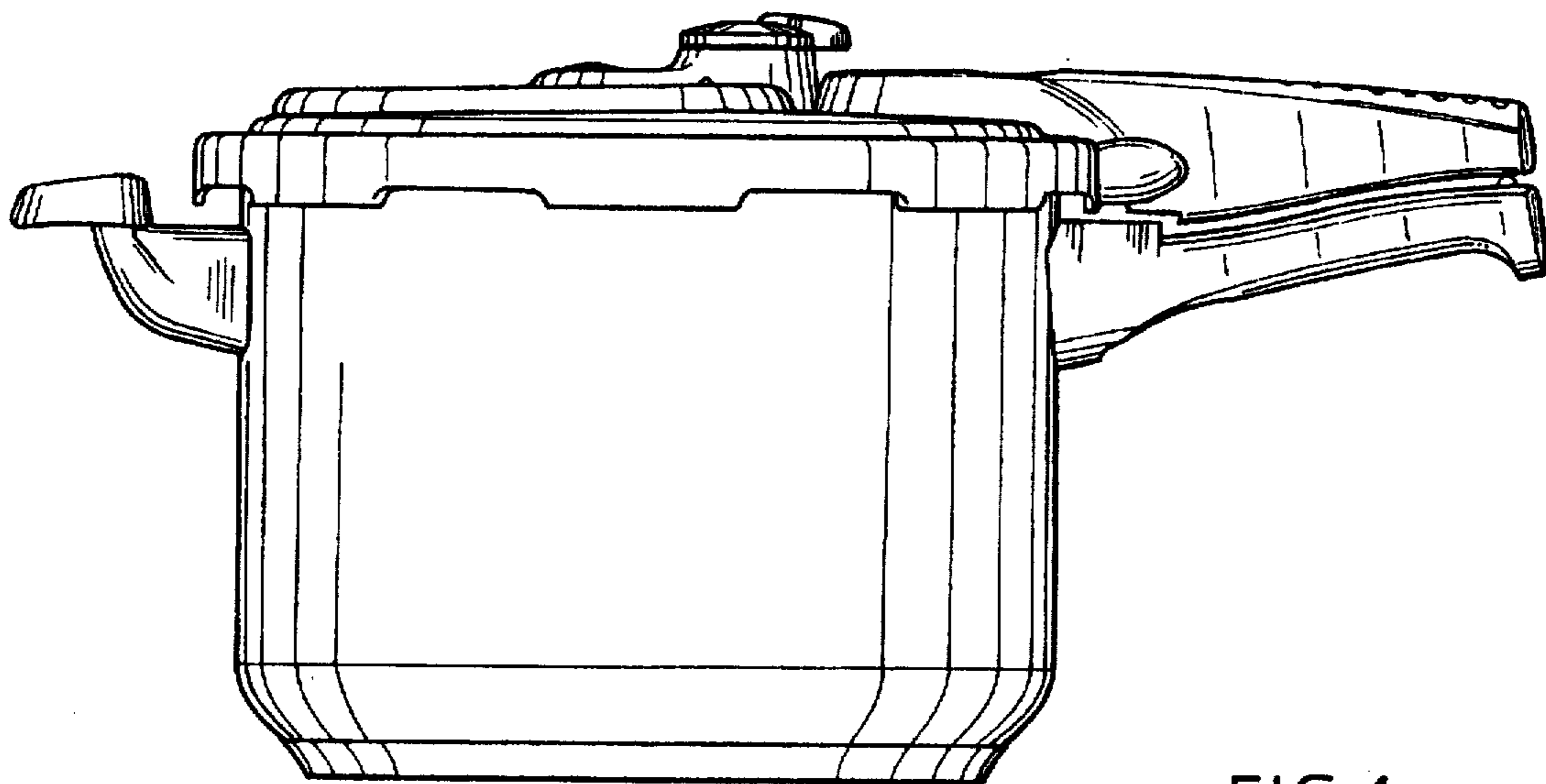


FIG. 1

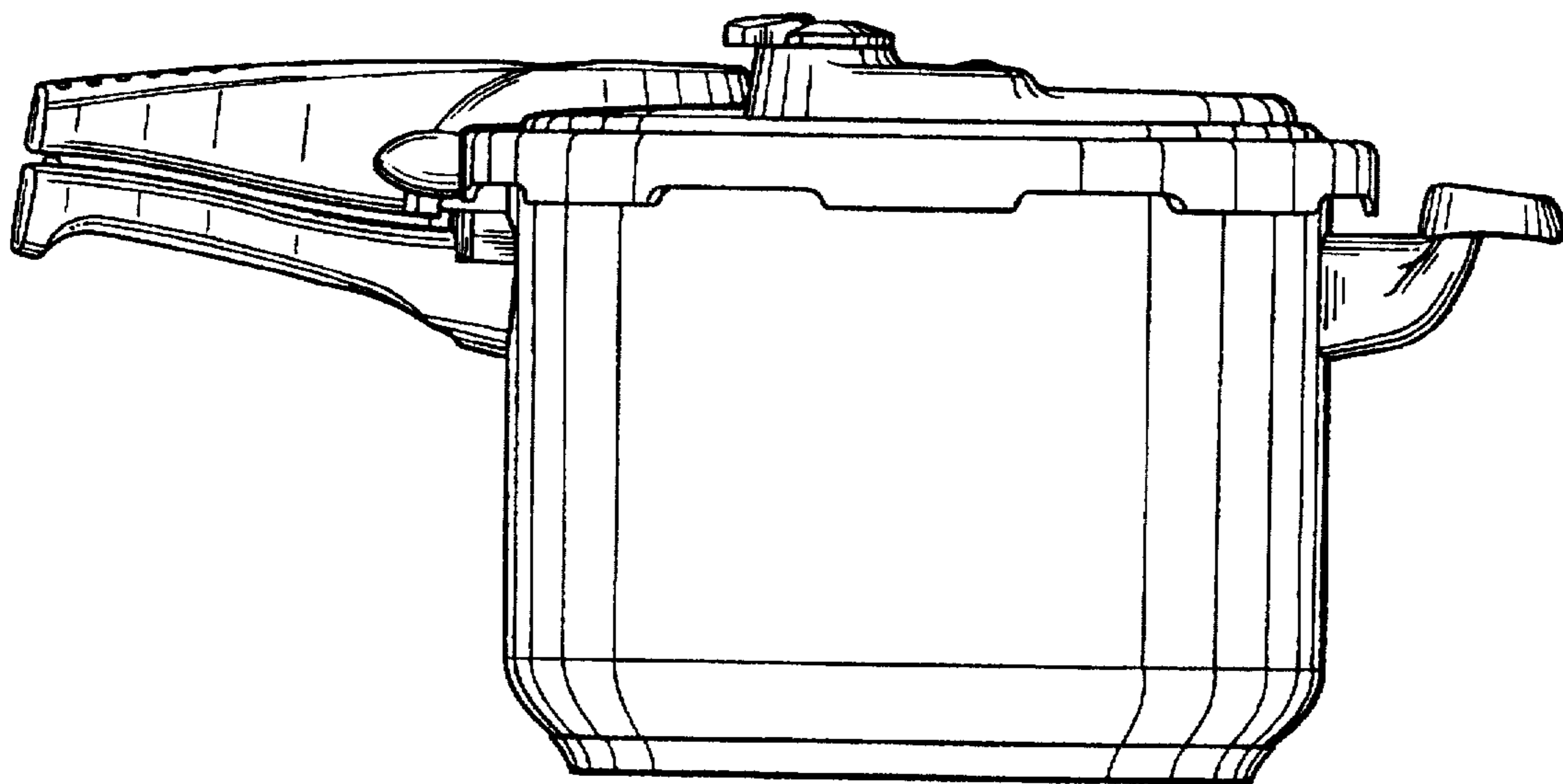


FIG. 2

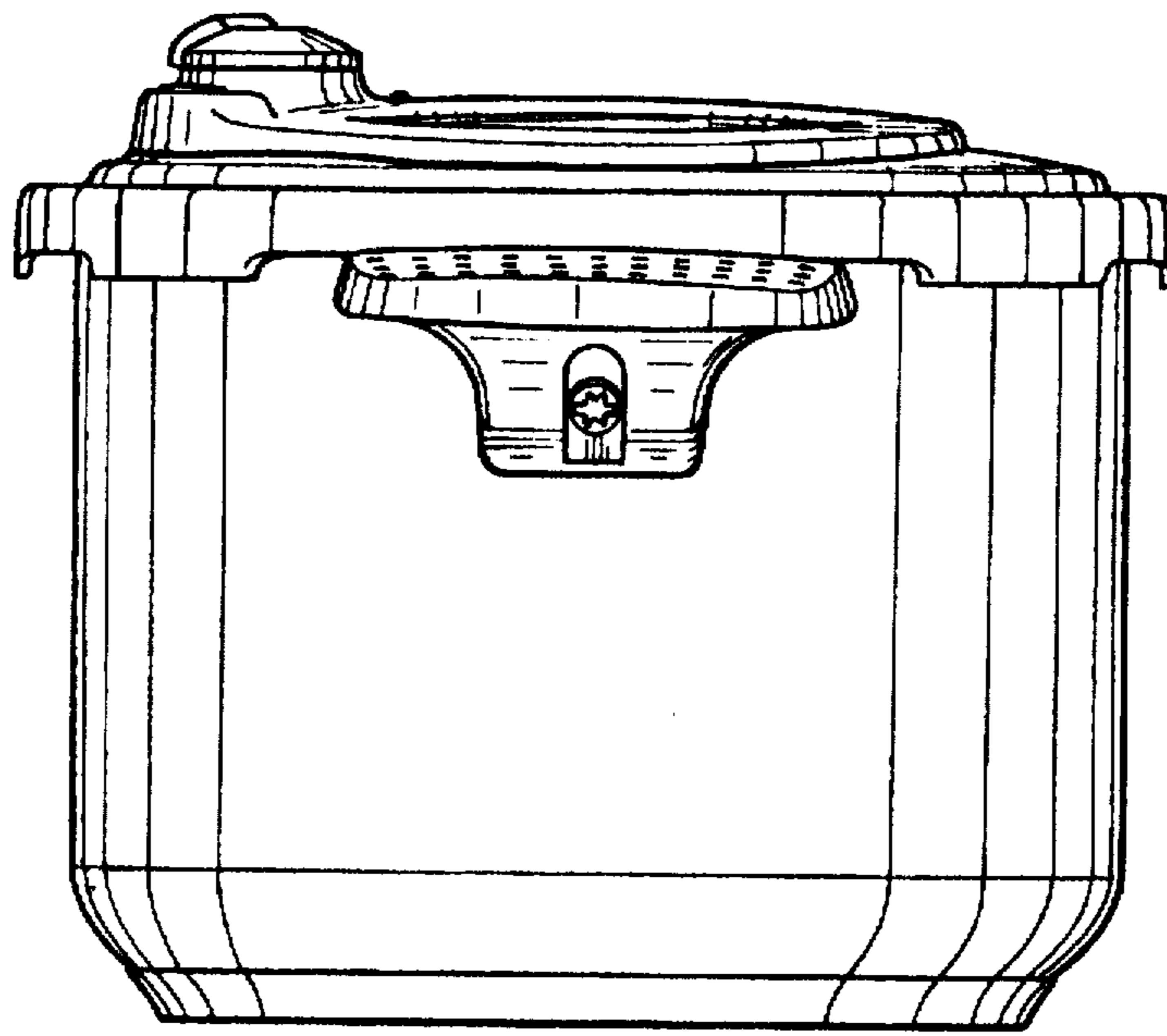


FIG. 3

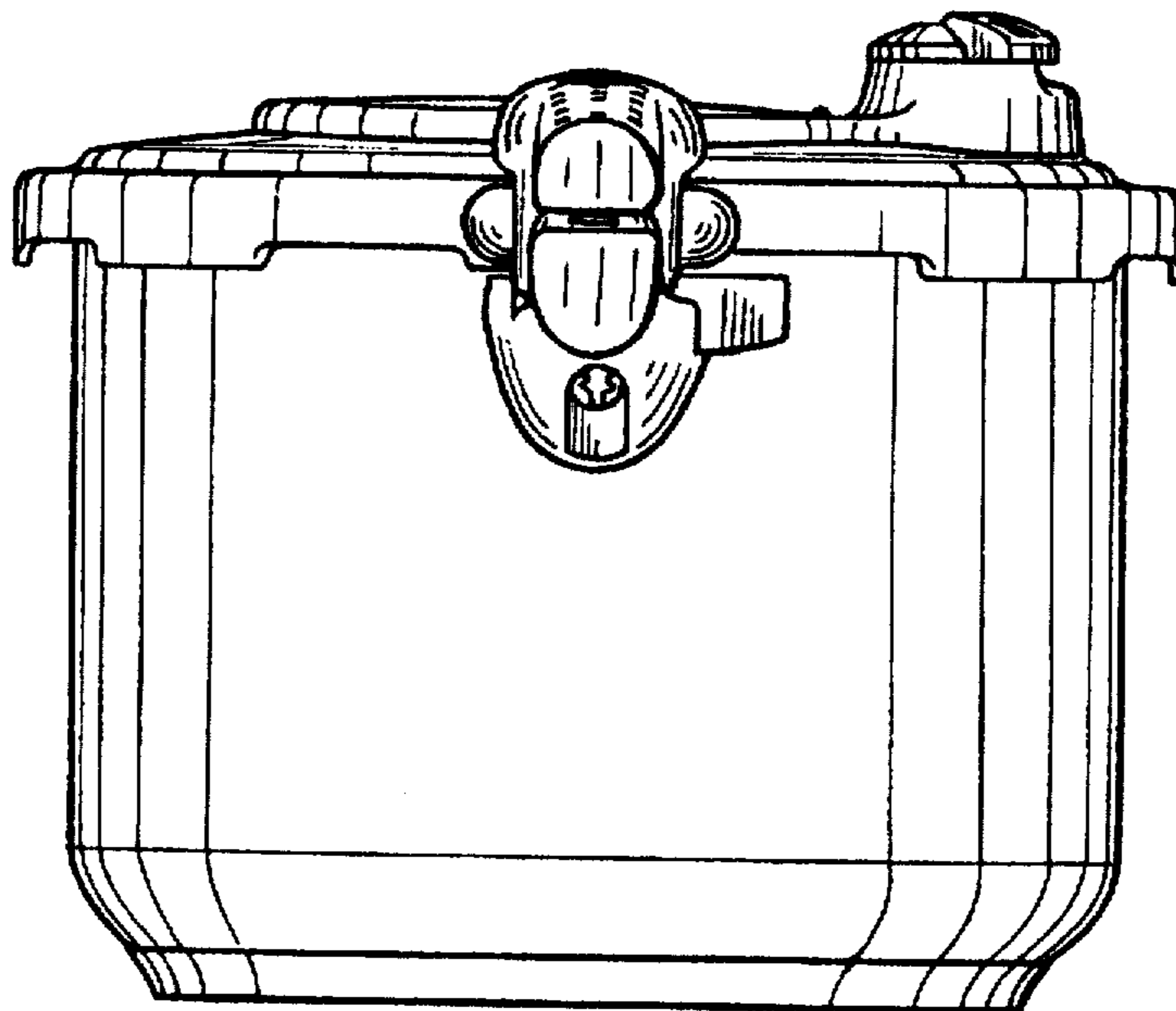


FIG. 4

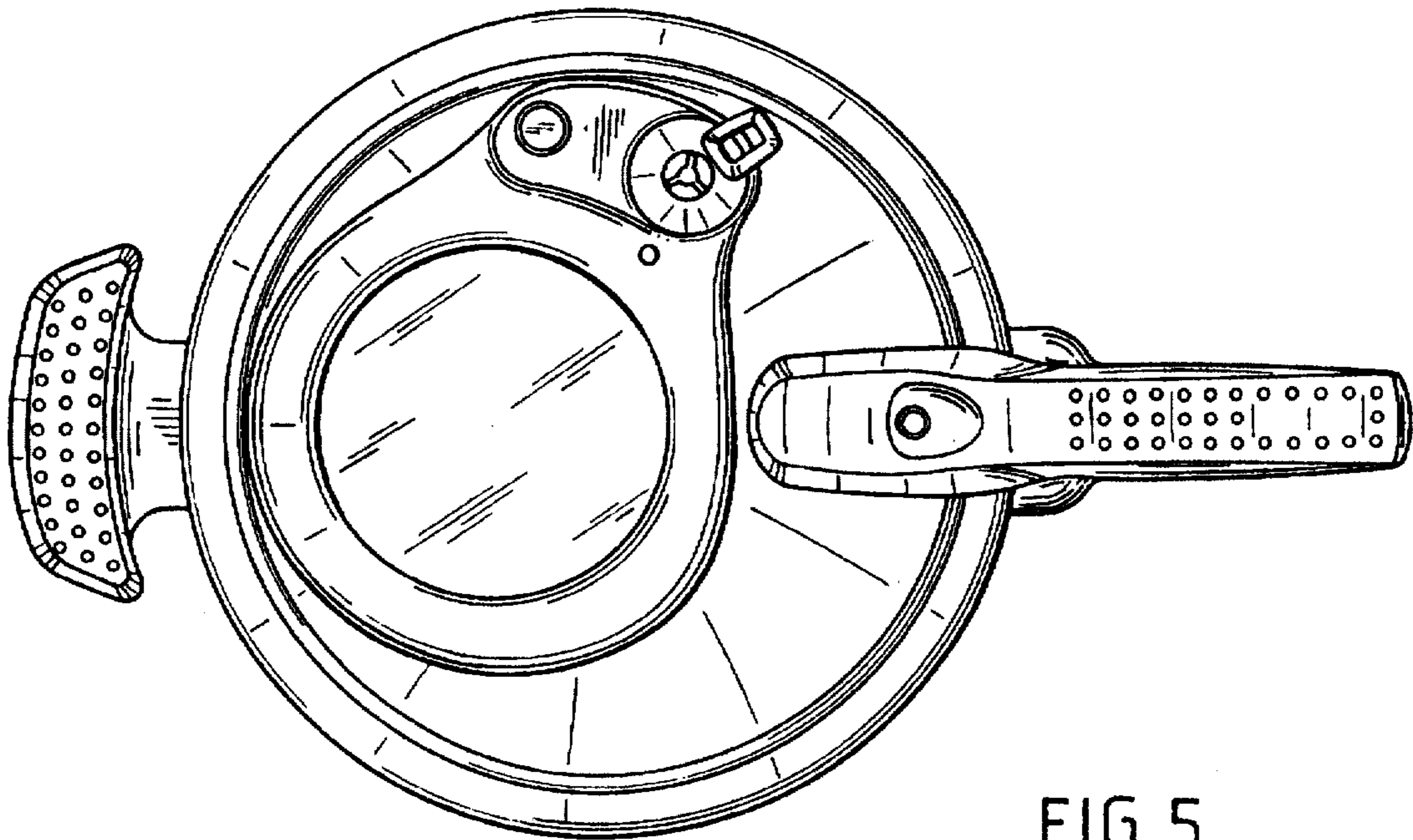


FIG. 5

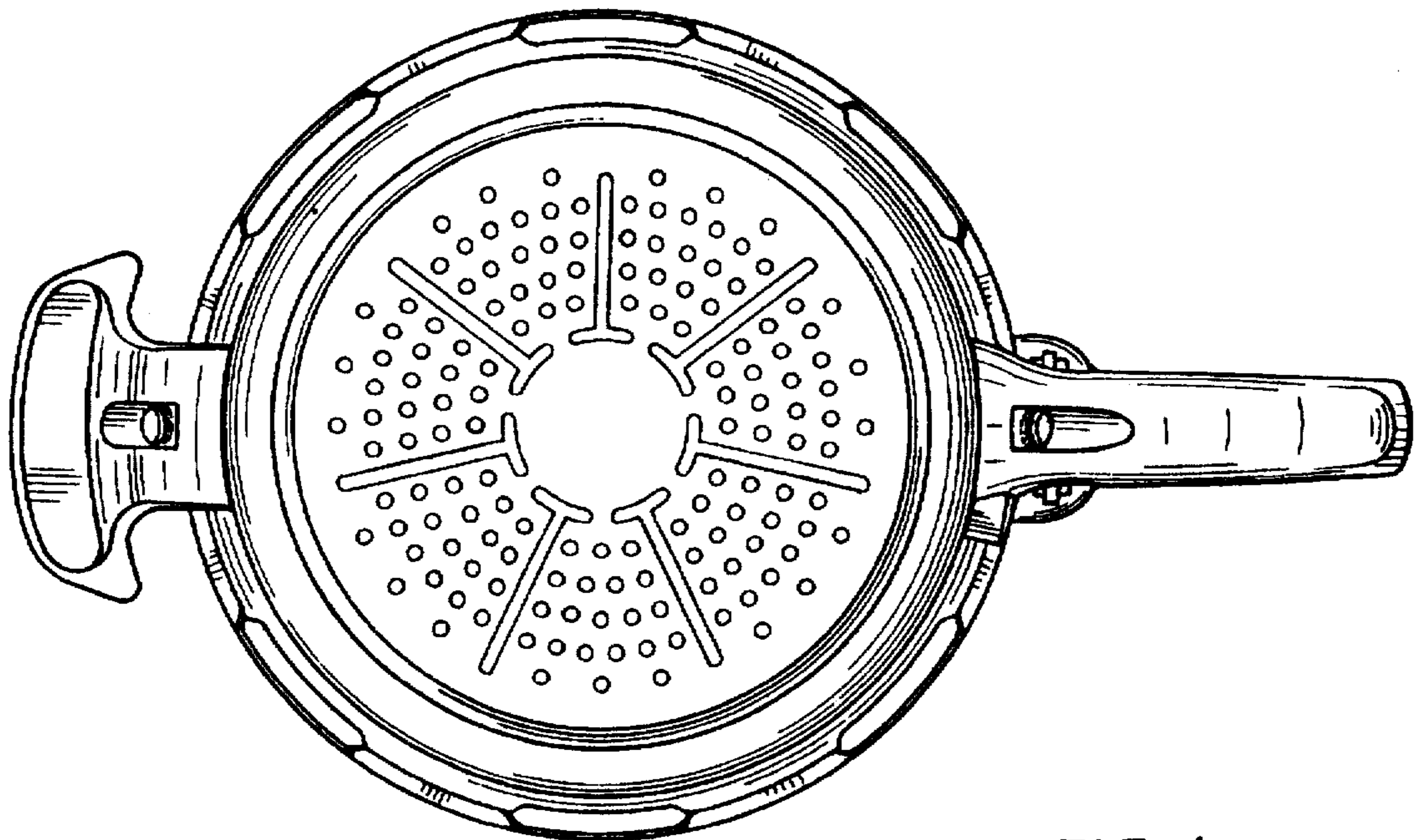


FIG. 6

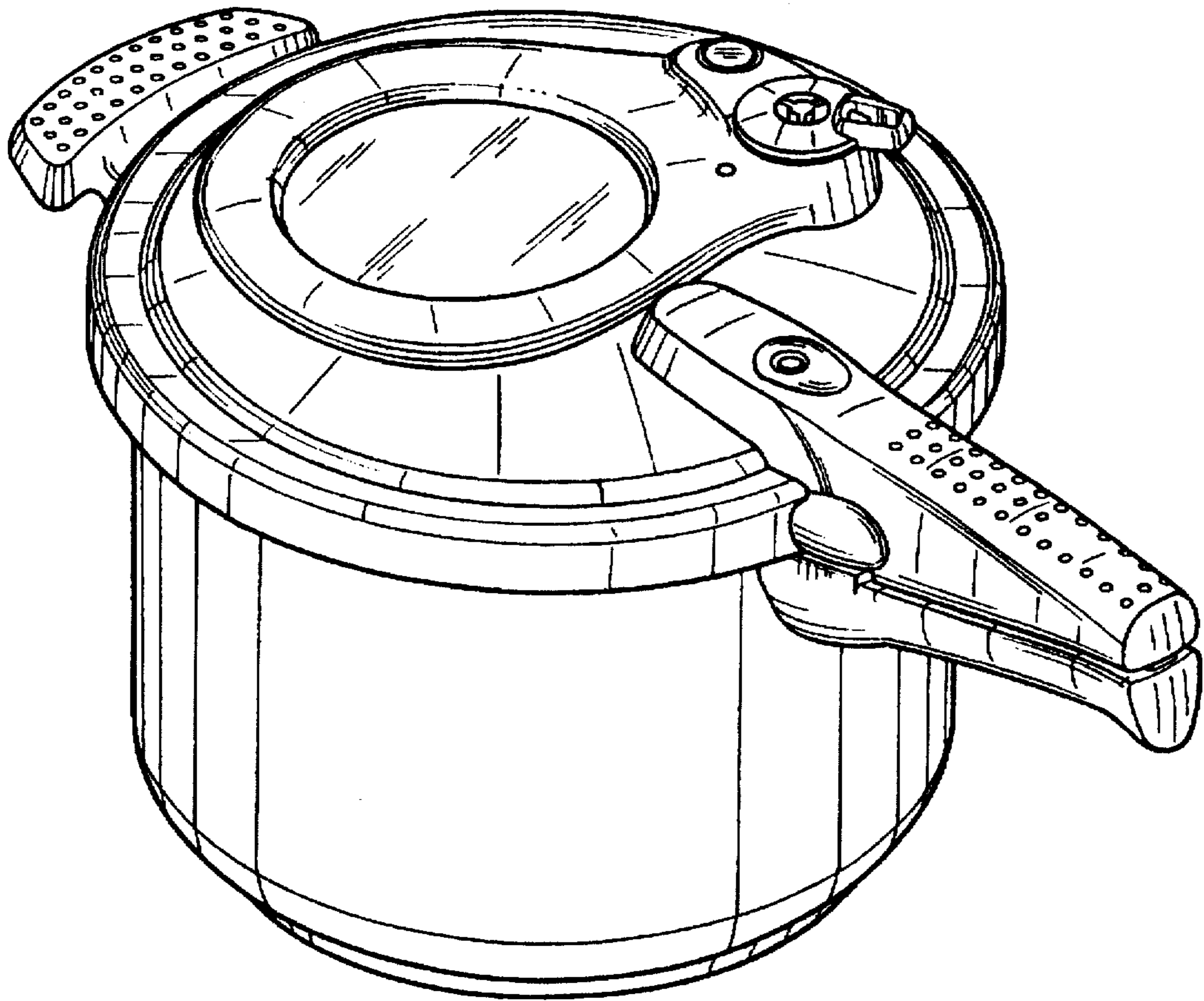


FIG. 7