



US00D384545S

United States Patent [19] Wang

[11] Patent Number: **Des. 384,545**
[45] Date of Patent: ****Oct. 7, 1997**

[54] **ROASTER OVEN**
[76] Inventor: **Ching-Hsiang Wang**, P.O. Box 90,
Tainan 704, Taiwan
[**] Term: **14 Years**
[21] Appl. No.: **62,988**
[22] Filed: **Nov. 15, 1996**
[51] LOC (6) Cl. **07-02**
[52] U.S. Cl. **D7/350**
[58] Field of Search D7/348-351; 126/275 R,
126/275 E, 19 M, 21 A; 219/10.55 R, 10.55 A,
10.55 B, 10.55 C

D. 309,078 7/1990 Kokubo D7/351
D. 318,396 7/1991 Jung D7/351
D. 336,814 6/1993 Brookshire D7/350

OTHER PUBLICATIONS

Woodward & Lothrop Ad. No. page #, "Alfredo toaster oven by Delonghi" Sep. 1985.

Primary Examiner—Ruth McInroy

[57] CLAIM

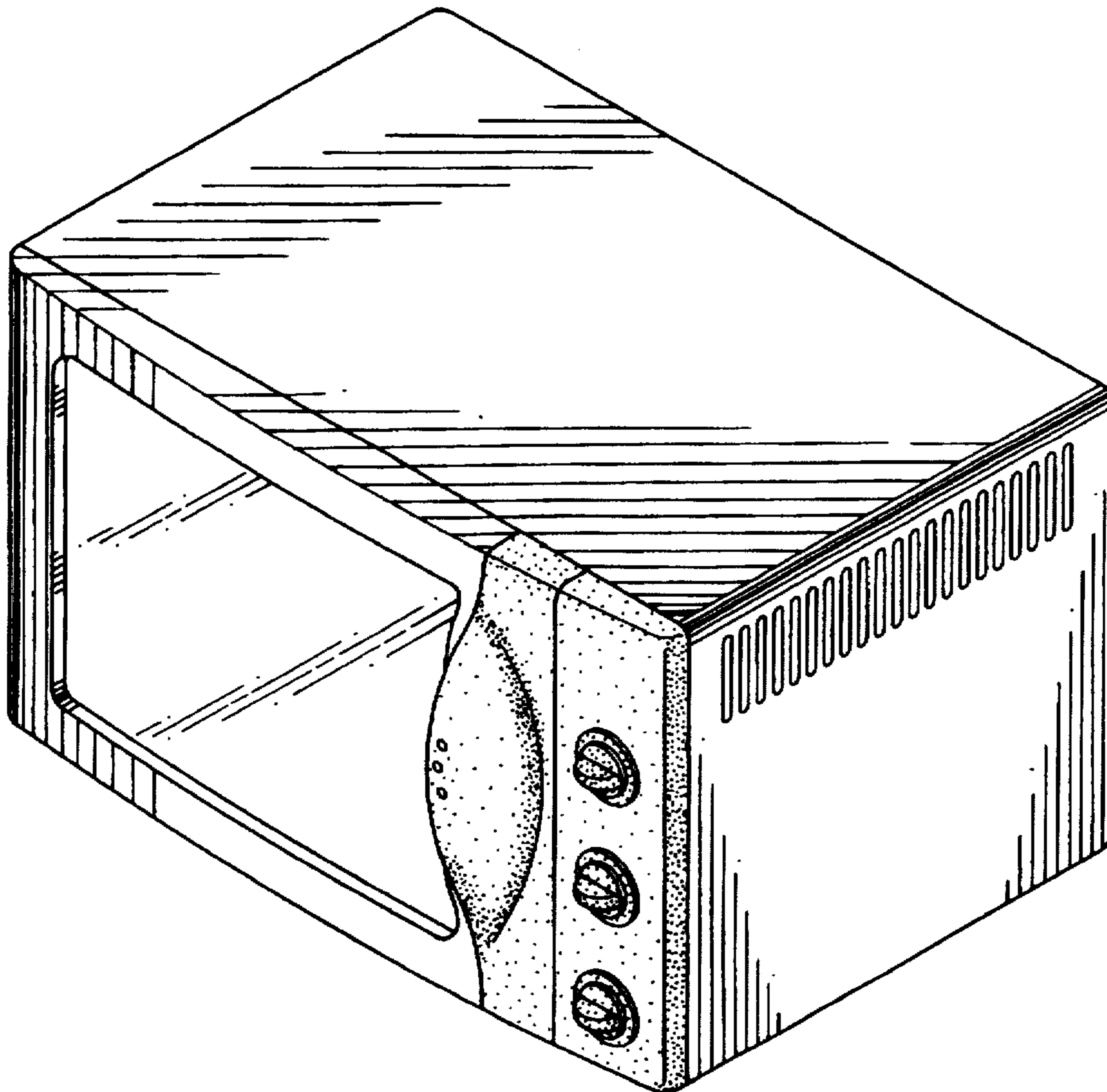
The ornamental design for roaster oven, as shown and described.

DESCRIPTION

FIG. 1 is a top, front, and left side perspective view of roaster oven showing my design;
FIG. 2 is a front elevational view thereof;
FIG. 3 is a rear elevational view thereof;
FIG. 4 is a left side elevational view thereof;
FIG. 5 is a right side elevational view thereof;
FIG. 6 is a top plan view thereof; and,
FIG. 7 is a bottom plan view thereof.

1 Claim, 4 Drawing Sheets

[56] **References Cited**
U.S. PATENT DOCUMENTS
D. 294,216 2/1988 Choi D7/351
D. 296,858 7/1988 Ooki D7/350
D. 297,296 8/1988 Feil et al. D7/351
D. 297,392 8/1988 Han D7/351
D. 301,428 6/1989 Viancin D7/350
D. 304,411 11/1989 Yoo D7/351



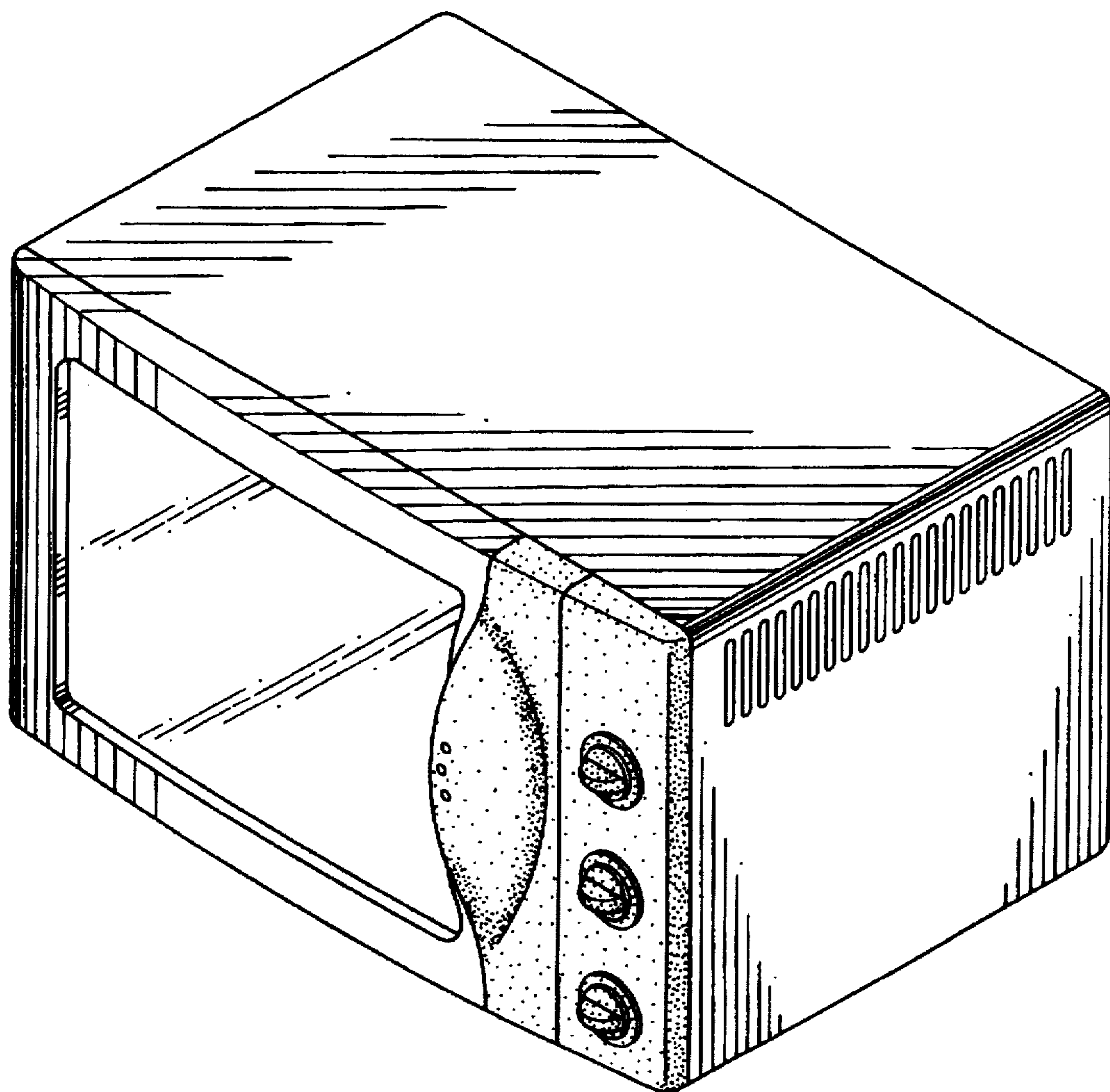


FIG. 1

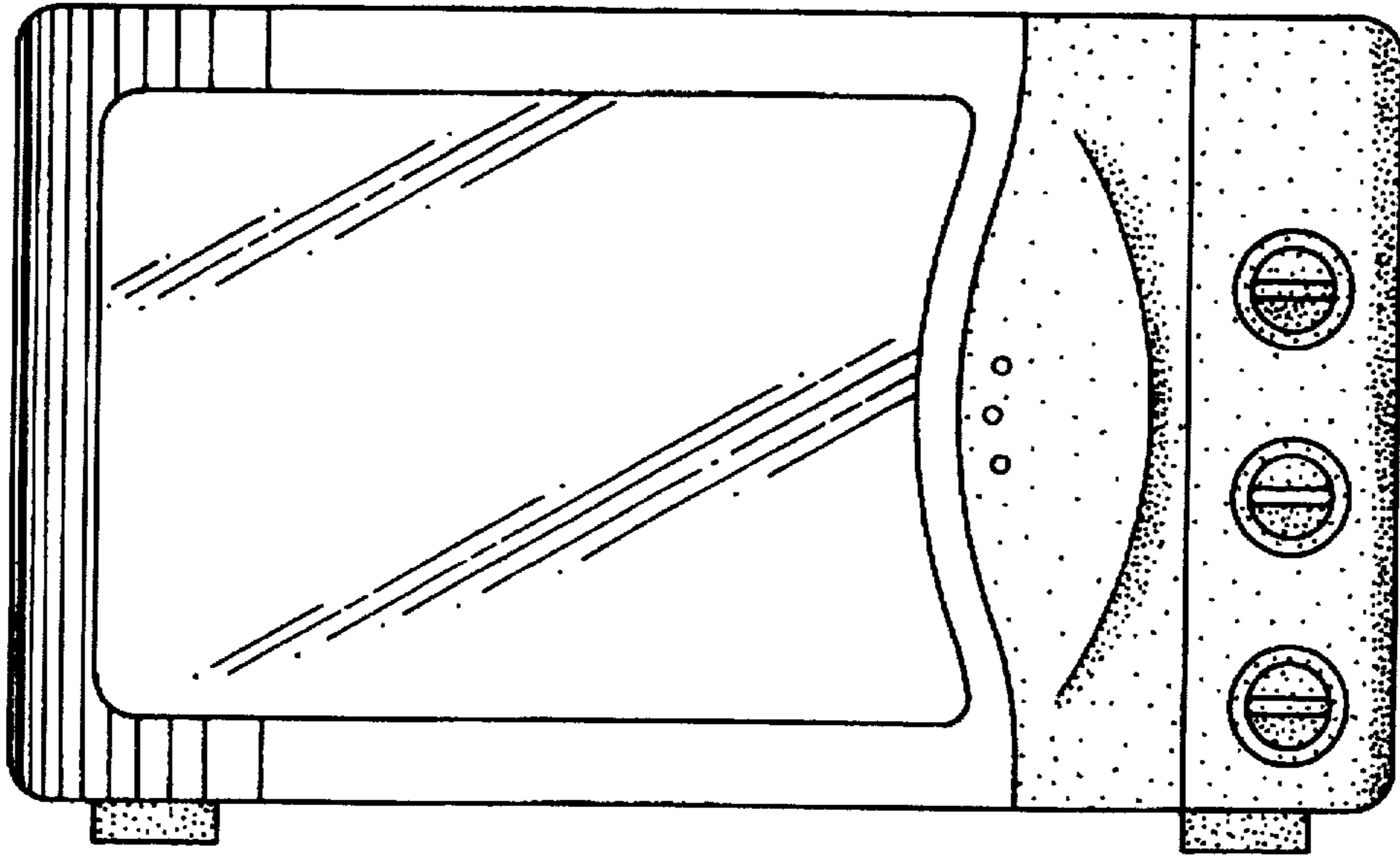


FIG. 2

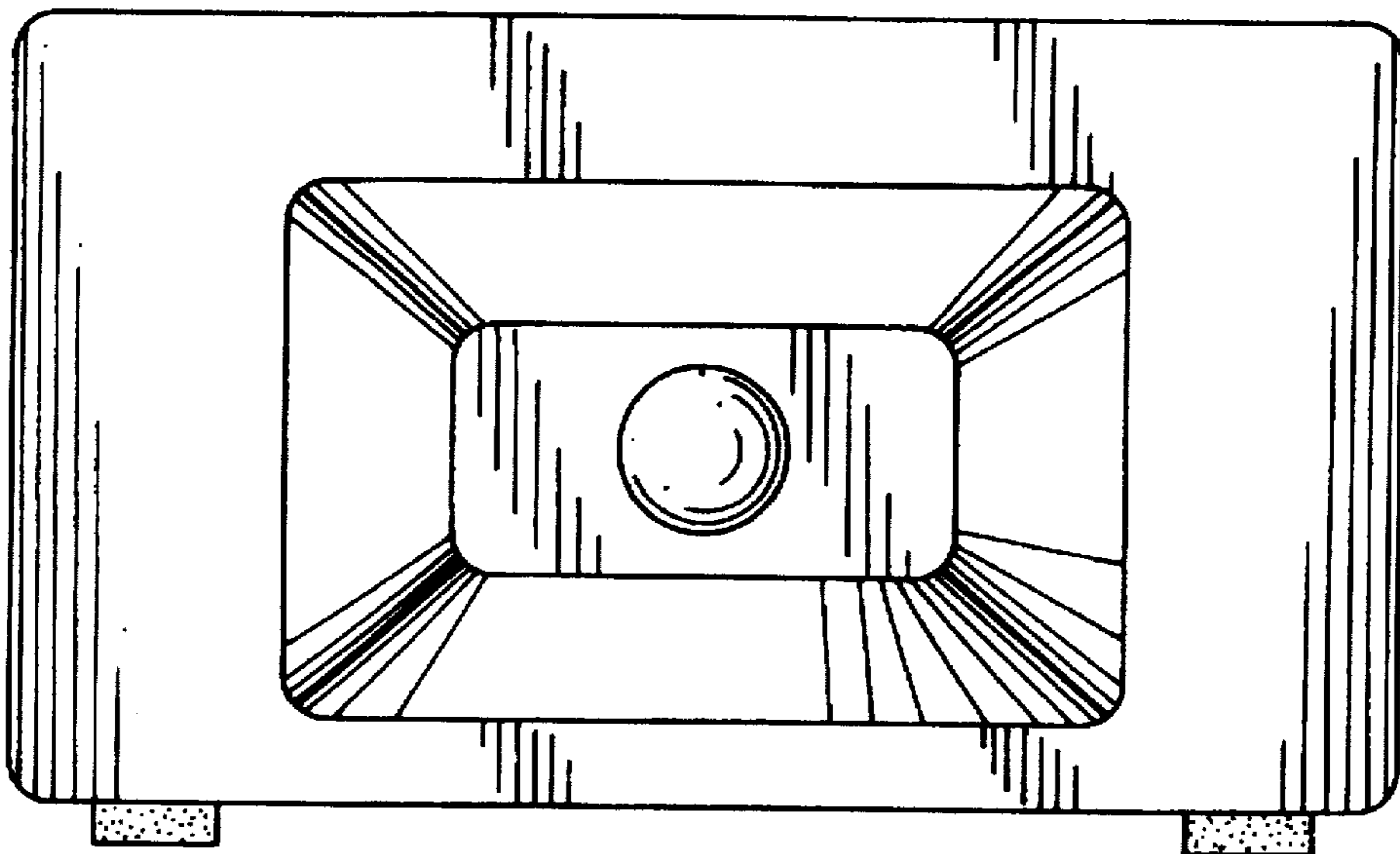


FIG. 3

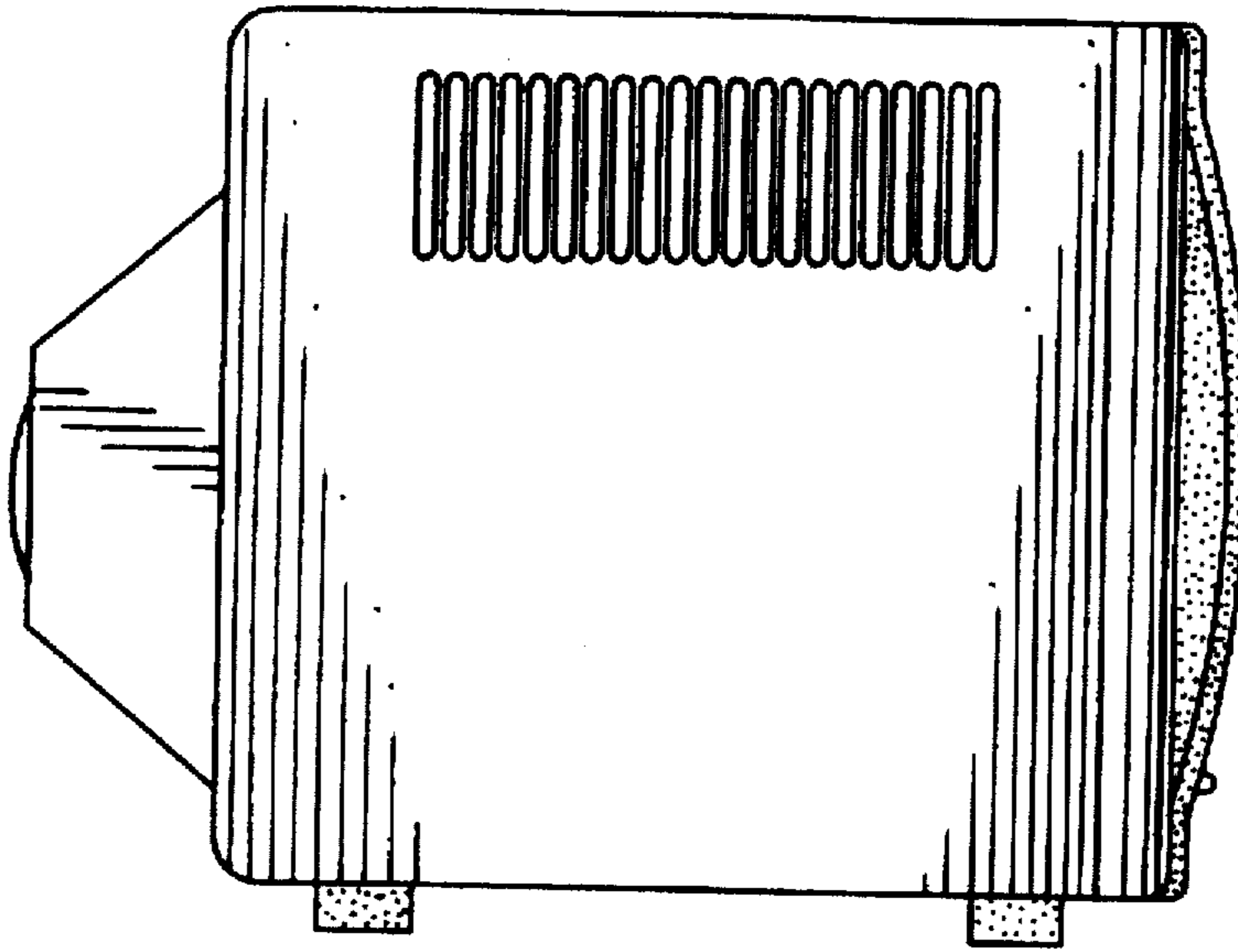


FIG. 4

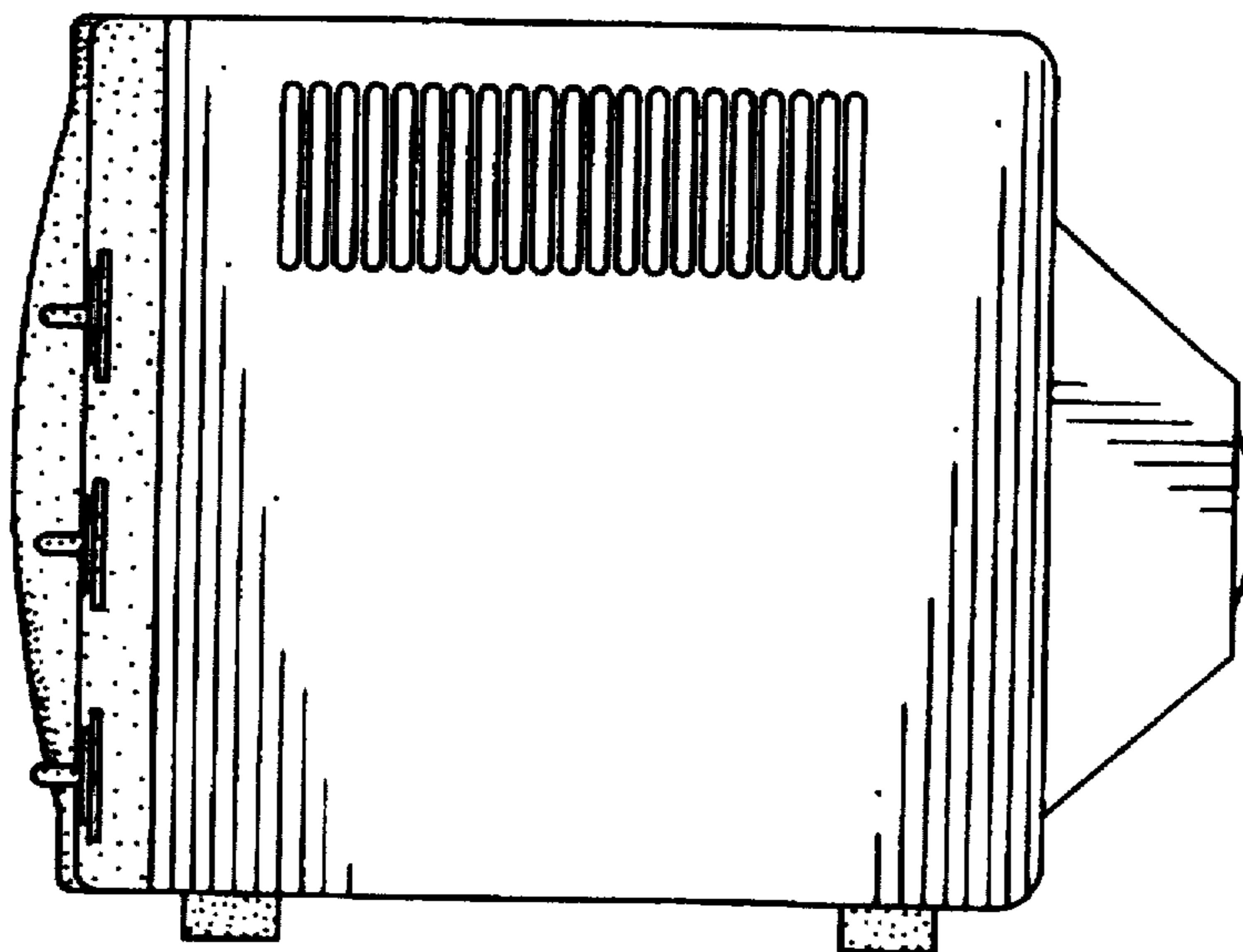


FIG. 5

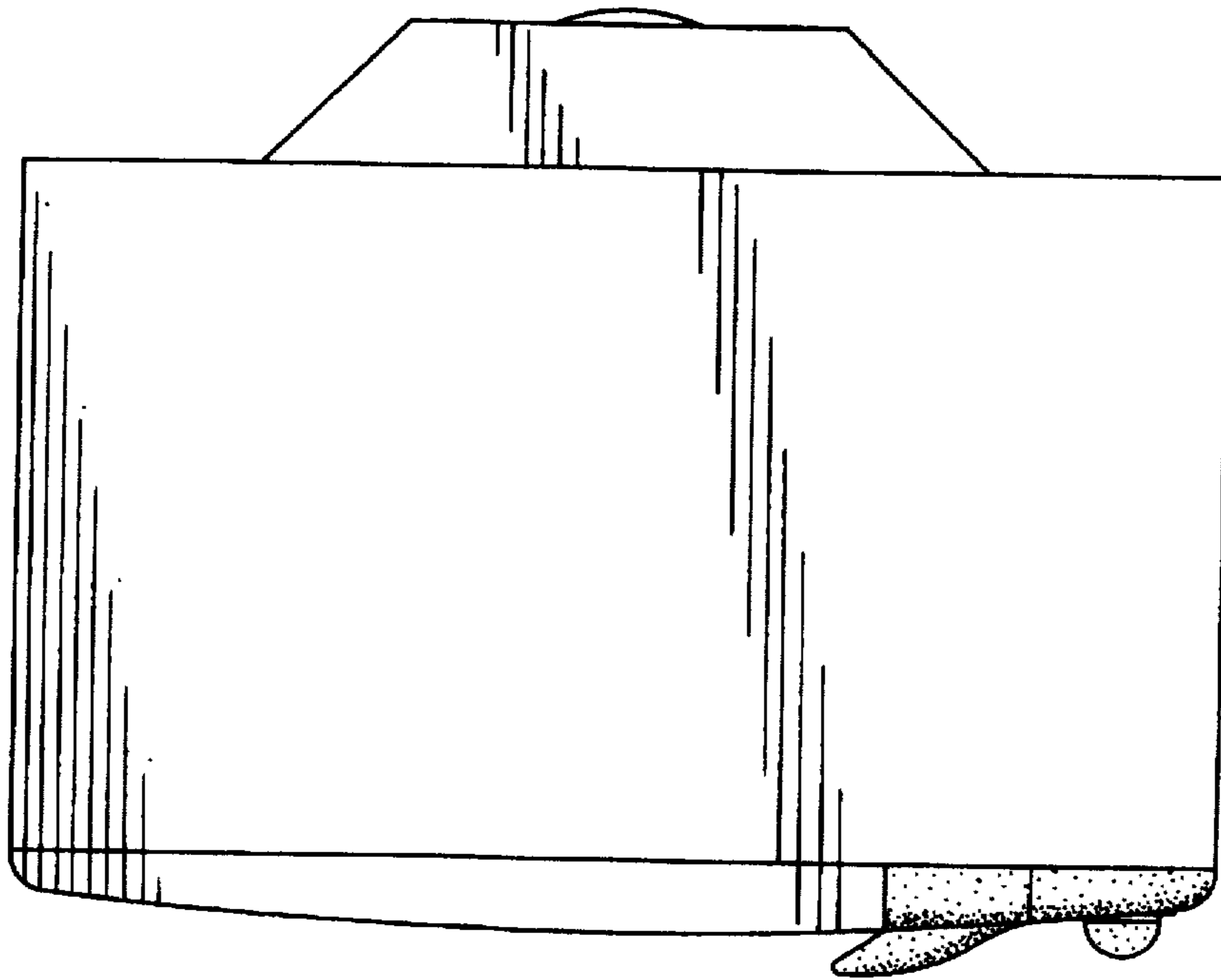


FIG. 6

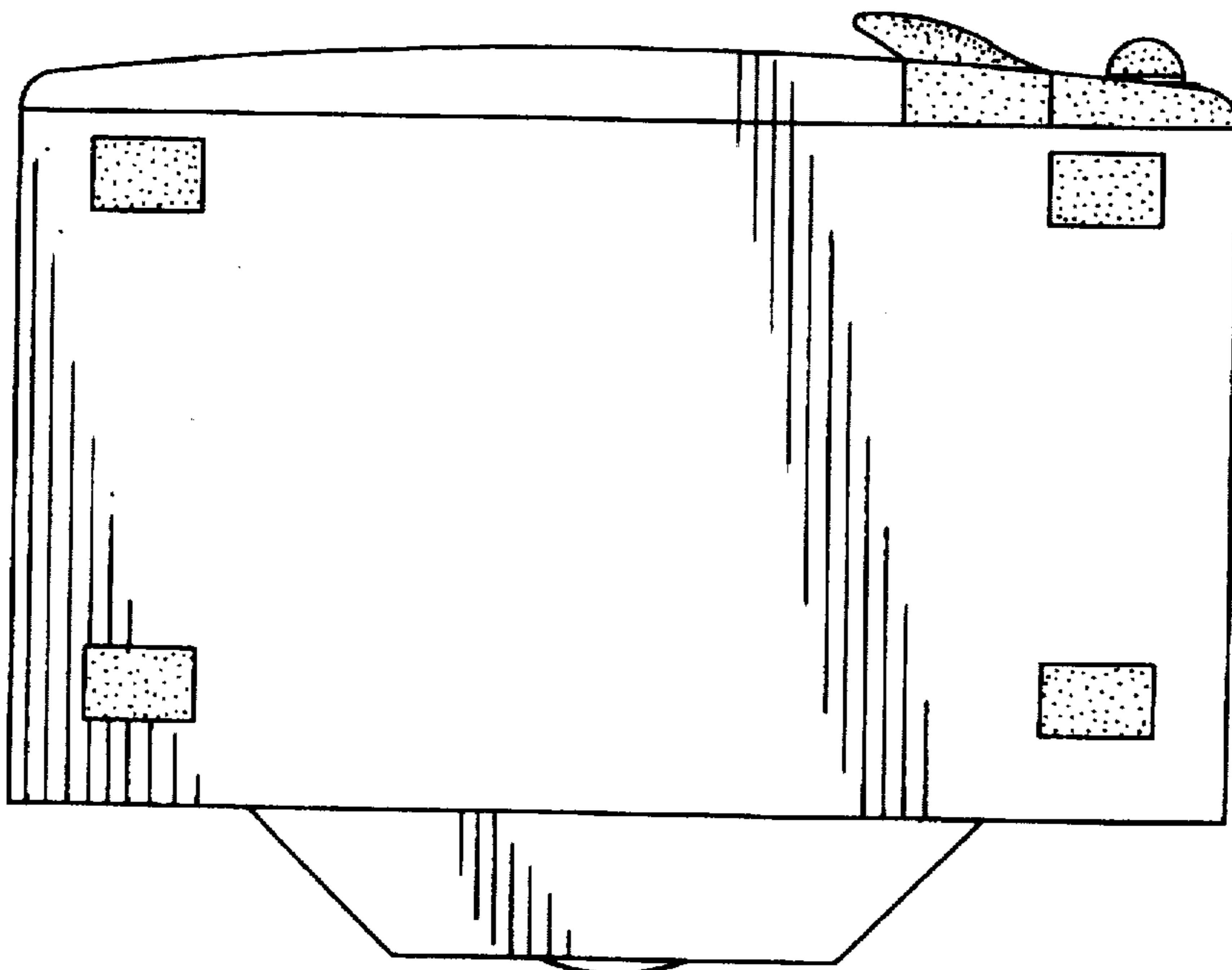


FIG. 7