



US00D384540S

United States Patent [19]
Joergensen

[11] **Patent Number:** **Des. 384,540**
[45] **Date of Patent:** ****Oct. 7, 1997**

[54] **COFFEE MAKER**

[75] **Inventor:** **Carsten Joergensen, Kriens,**
Switzerland

[73] **Assignee:** **PI-Design AG, Switzerland**

[**] **Term:** **14 Years**

[21] **Appl. No.:** **54,822**

[22] **Filed:** **May 22, 1996**

[30] **Foreign Application Priority Data**

Feb. 6, 1996 [DK] **Denmark** 136/96

[51] **LOC (6) Cl.** **07-01**

[52] **U.S. Cl.** **D7/319; D7/318; D7/317**

[58] **Field of Search** **D7/300, 302, 312,**
D7/316, 317, 318, 319, 320, 322, 321,
309, 622, 590, 591; 220/718, 771; 222/465.1;
D23/209

[56] **References Cited**

U.S. PATENT DOCUMENTS

D. 52,019	5/1918	Biette	D7/310
D. 181,143	10/1957	Gundelfinger	D7/317
D. 336,760	6/1993	Raunkjaer	D7/317 X
D. 337,691	7/1993	Raunkjaer	D7/317
D. 342,414	12/1993	Jorgensen	D7/317
D. 343,333	1/1994	Jorgensen	D7/317

D. 343,760	2/1994	Lin	D7/318
D. 372,627	8/1996	Ireland	D7/319
1,782,962	11/1930	Hobbs	206/446
4,365,544	12/1982	Howitt	D7/317 X

OTHER PUBLICATIONS

Press Filter Coffee Maker, Tableware International p. 52
1986.

Coffee Pot (Bottom) Beverage Server, King Insulated Pitch-
ers 1990 Yn-Hwang of Taiwan.

Instabrewer Housewares p. 37 Feb. 1974.

Primary Examiner—M. N. Pandozzi

Attorney, Agent, or Firm—Merchant, Gould, Smith, Edell,
Welter & Schmidt, P.A.

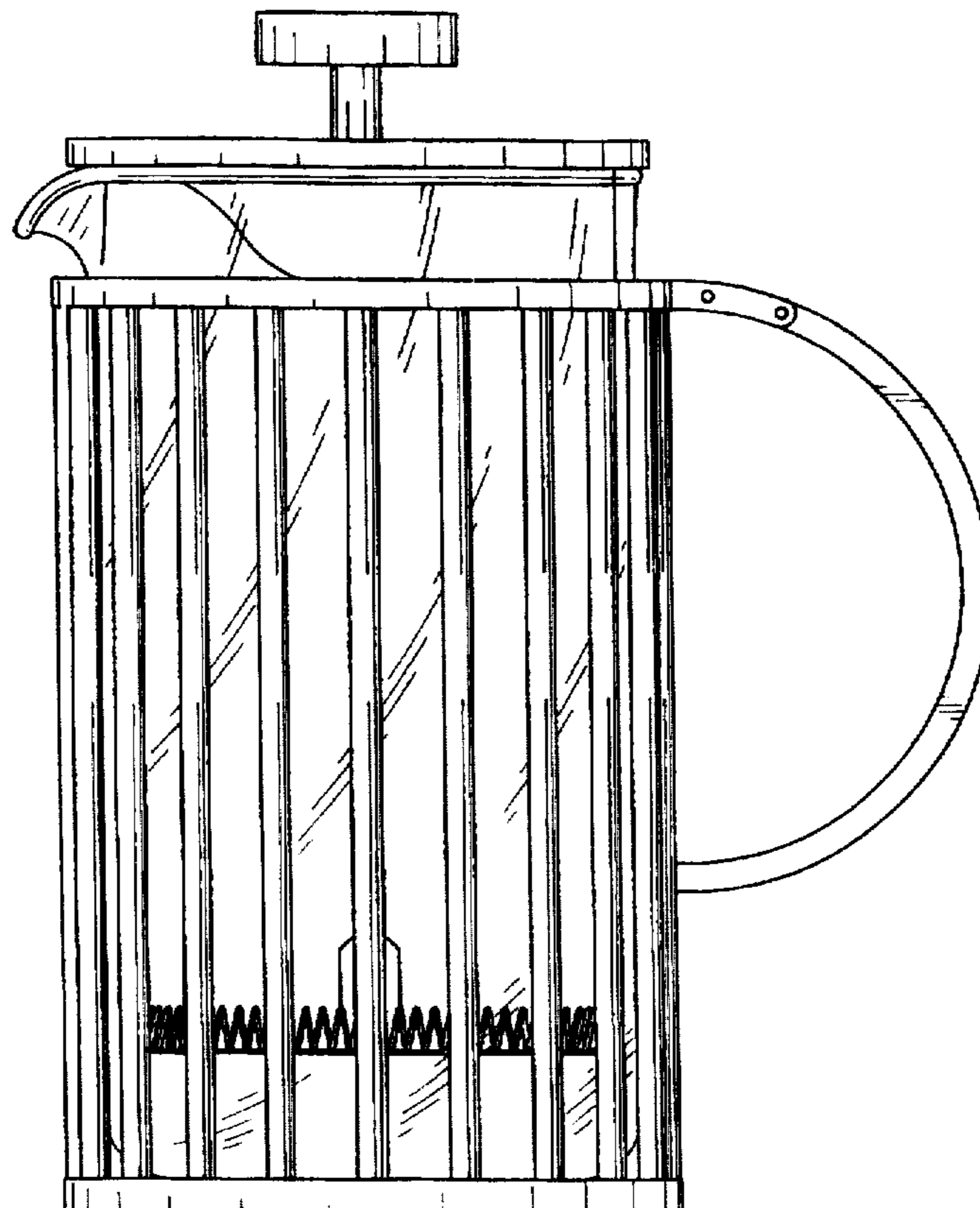
[57] **CLAIM**

The ornamental design for a coffee maker, as shown and
described.

DESCRIPTION

FIG. 1 is an oblique perspective view of the coffee maker;
FIG. 2 is a front view of the coffee maker;
FIG. 3 is a back view of the coffee maker;
FIG. 4 is a right side view of the coffee maker;
FIG. 5 is a left side view of the coffee maker;
FIG. 6 is a top view of the coffee maker; and,
FIG. 7 is a bottom view of the coffee maker.

1 Claim, 7 Drawing Sheets



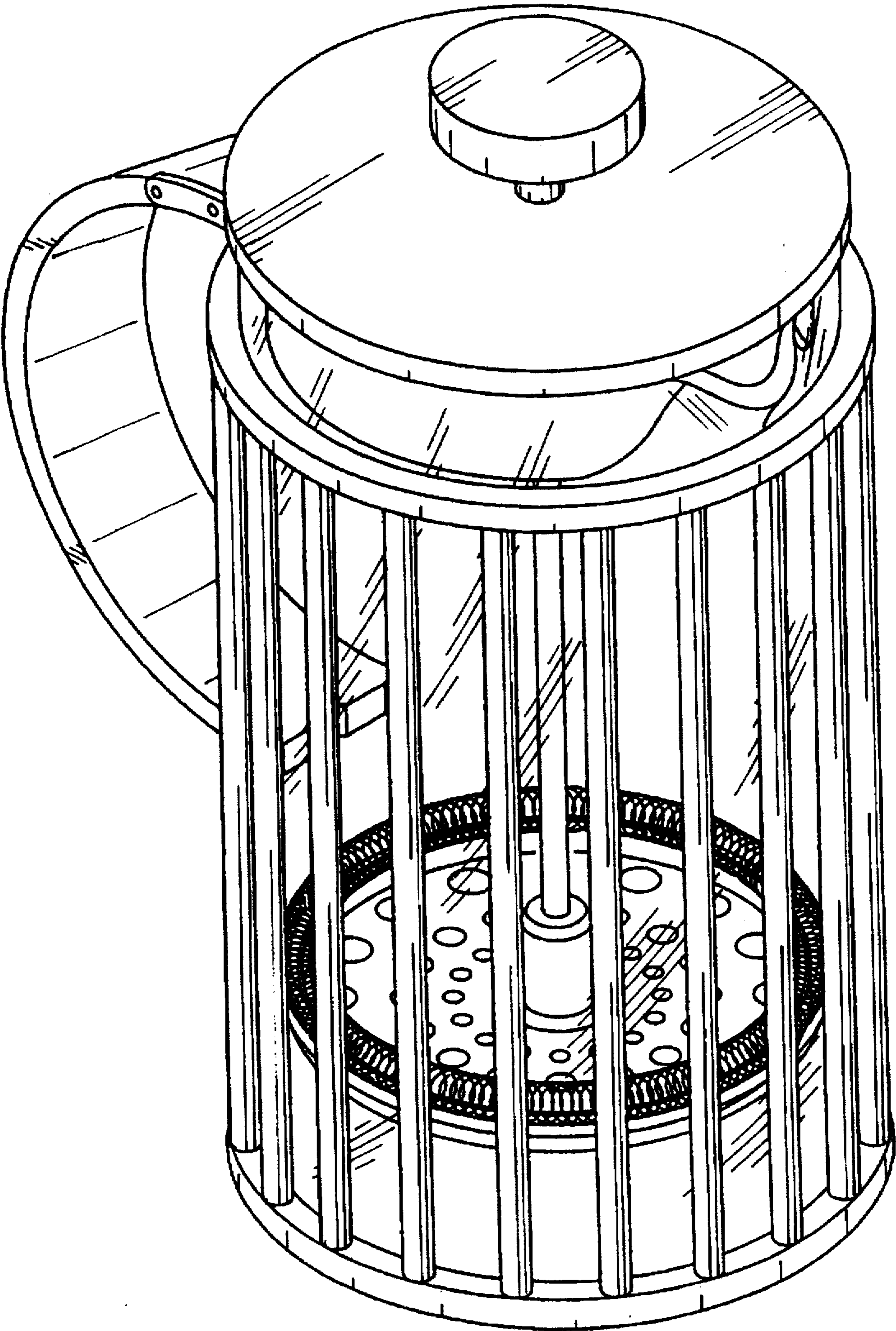


Fig. 1

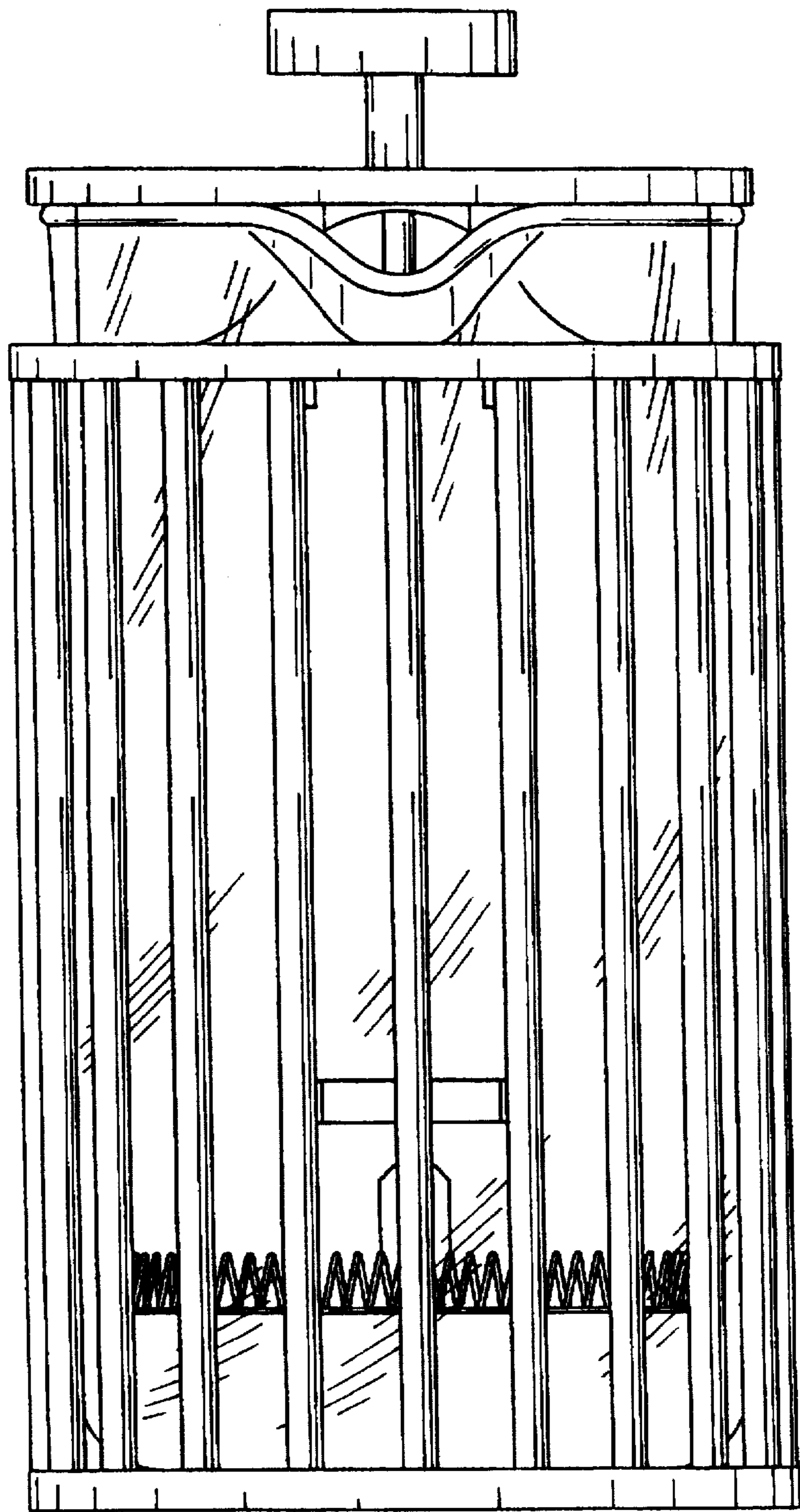


Fig. 2

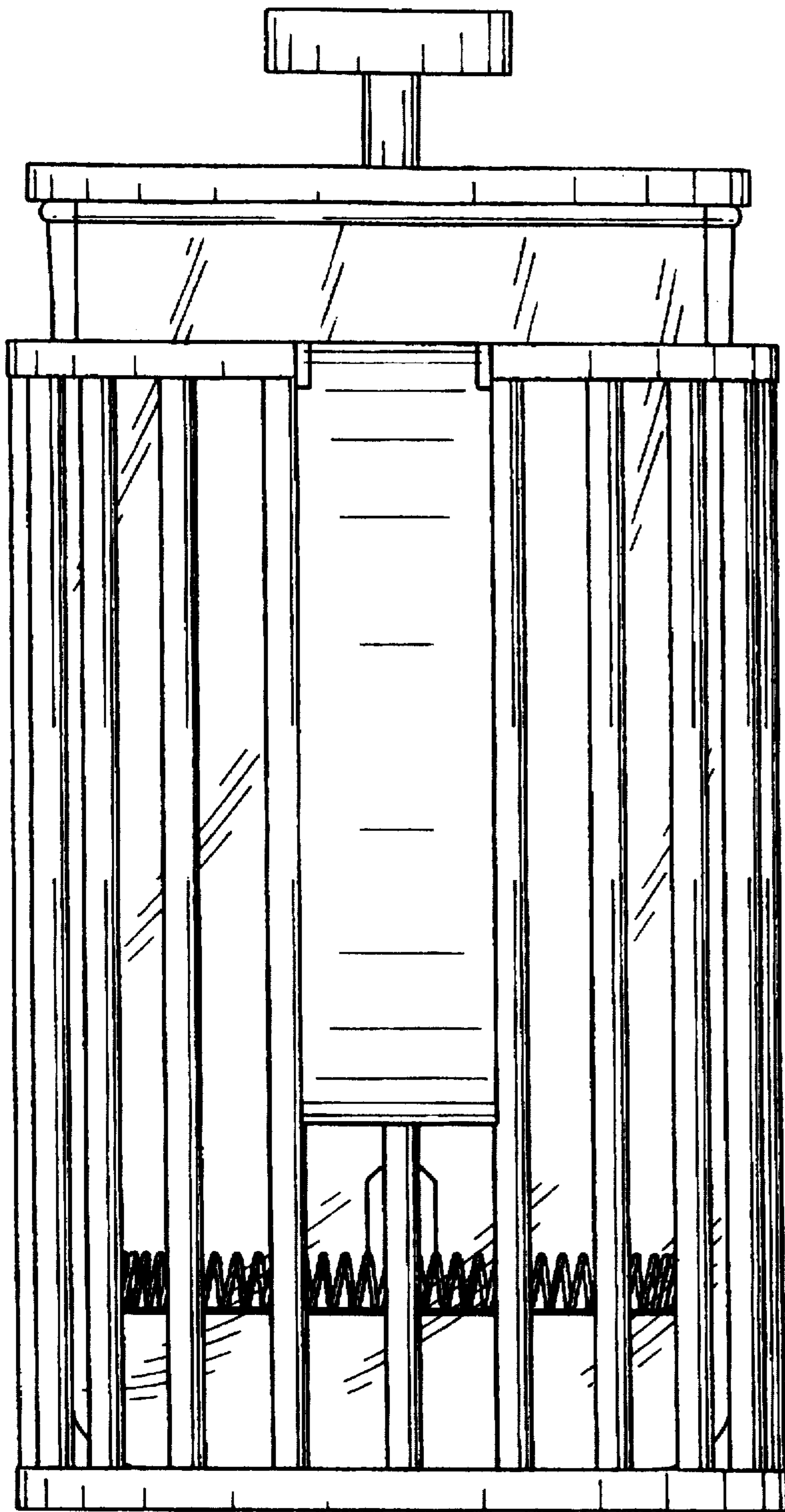


Fig. 3

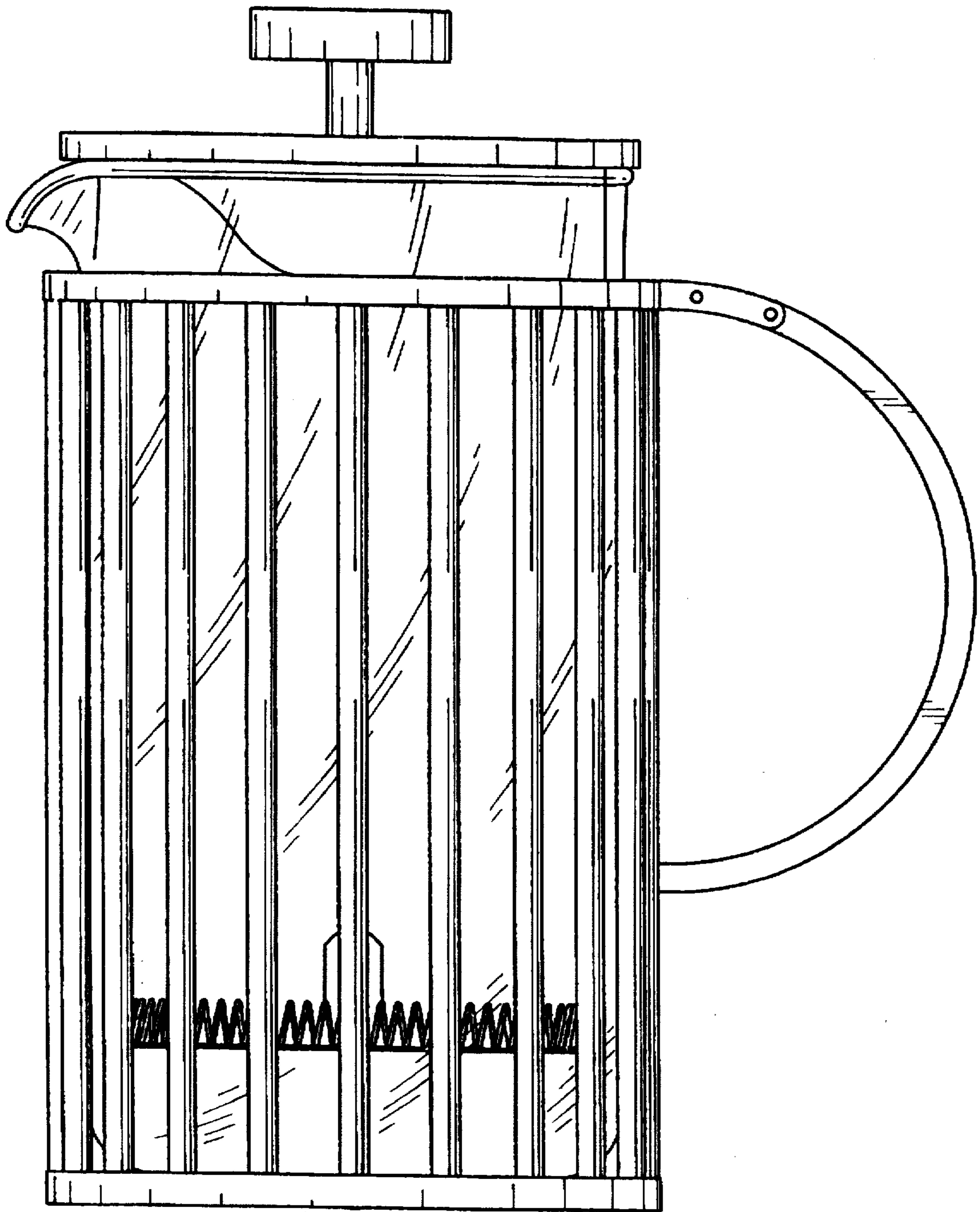


Fig. 4

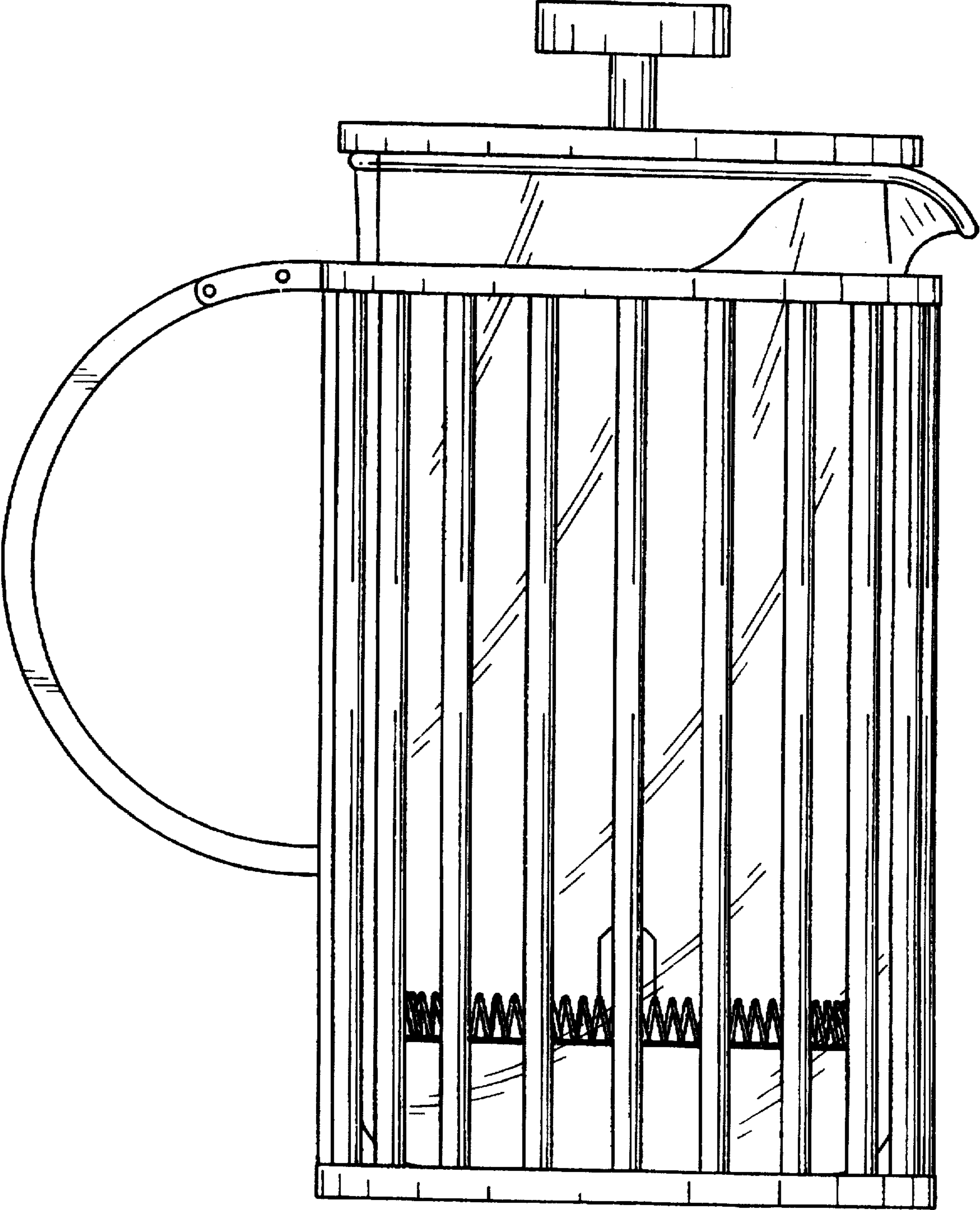


Fig. 5

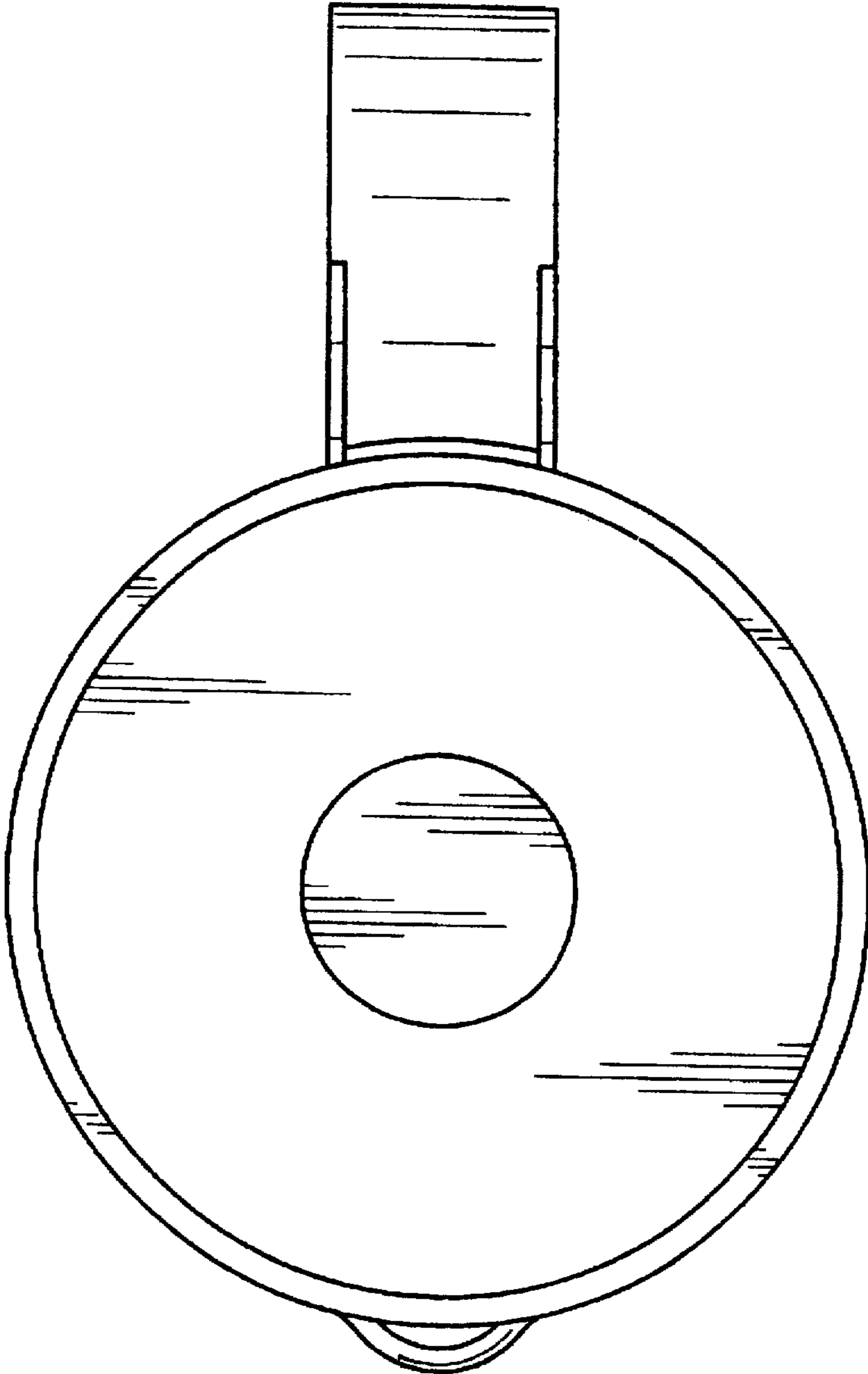


Fig. 6

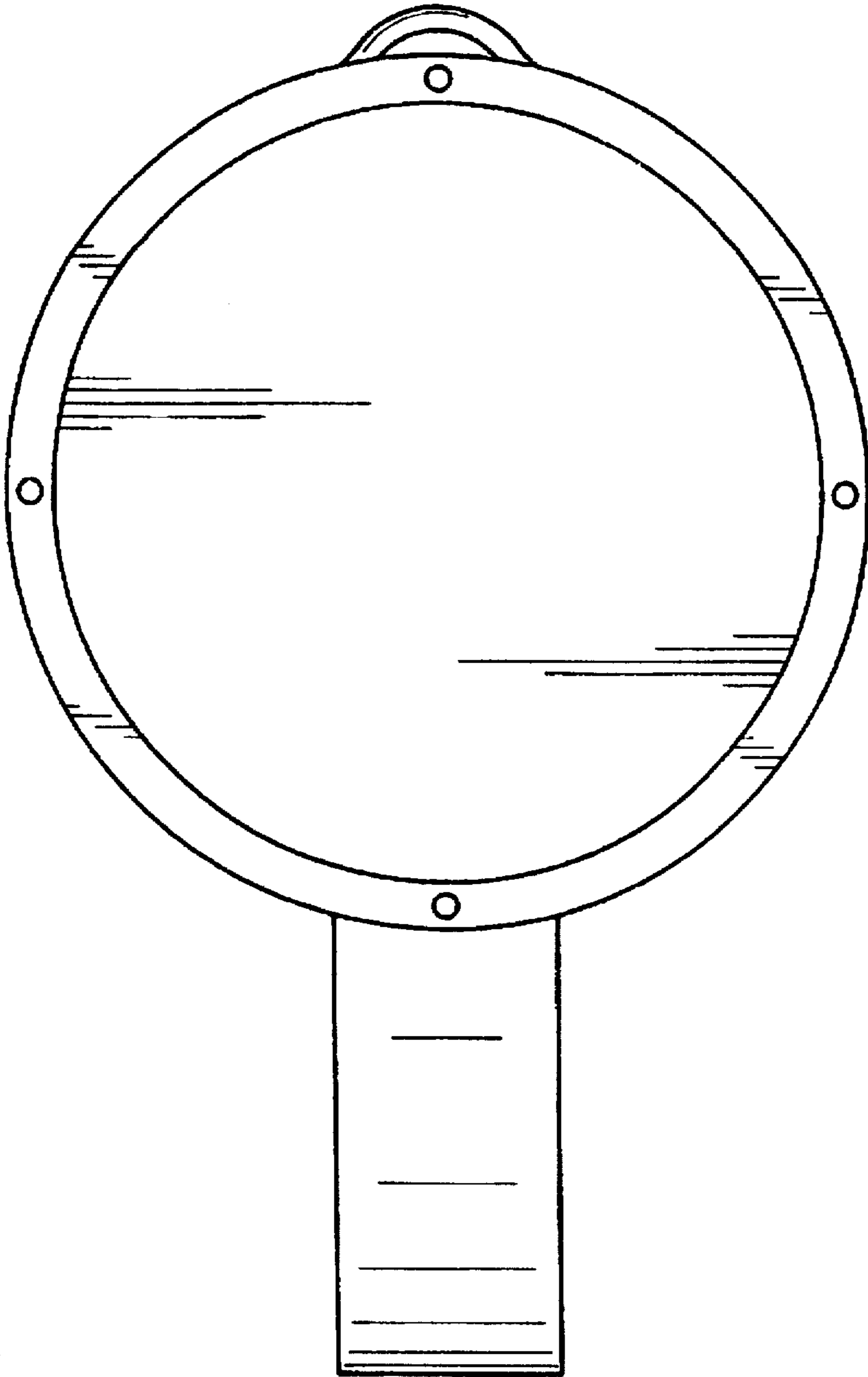


Fig. 7