



US00D384532S

United States Patent [19]

von Buelow et al.

[11] Patent Number: Des. 384,532

[45] Date of Patent: **Oct. 7, 1997

[54] TOWEL HOLDER FOR A SHOWER

[75] Inventors: **John von Buelow**, Oak Park; **Ernesto Victor Quinteros**, North Hollywood; **John Kevin Clay**, Woodland Hills, all of Calif.

[73] Assignee: **Interbath, Inc.**, City of Industry, Calif.

[**] Term: **14 Years**

[21] Appl. No.: **46,710**

[22] Filed: **Oct. 26, 1995**

[51] LOC (6) Cl. **07-07**

[52] U.S. Cl. **D6/524**

[58] Field of Search D6/524, 525, 553, D6/567; 211/13, 16, 86-87, 105.2; 248/315, 218.4

[56] **References Cited**

U.S. PATENT DOCUMENTS

D. 274,027 5/1984 Thompson D6/546

D. 297,194 8/1988 Reid D6/546
D. 316,646 5/1991 Cunningham D6/525
D. 364,770 12/1995 Stiles D6/567
5,377,367 1/1995 Bischoff D6/540 X

Primary Examiner—Brian N. Vinson
Attorney, Agent, or Firm—Graham & James LLP

[57] **CLAIM**

The ornamental design for a towel holder for a shower, as shown and described.

DESCRIPTION

FIG. 1 is a top, front, and right side perspective view of a towel holder for a shower showing our new design, the broken-line disclosure being for illustrative purposes only and forming no part of the claimed design;
FIG. 2 is left side elevational view thereof, the right side being a mirror image of that shown;
FIG. 3 is a top plan view thereof;
FIG. 4 is a front elevational view thereof;
FIG. 5 is a bottom plan view thereof; and
FIG. 6 is a rear elevational view thereof.

1 Claim, 3 Drawing Sheets

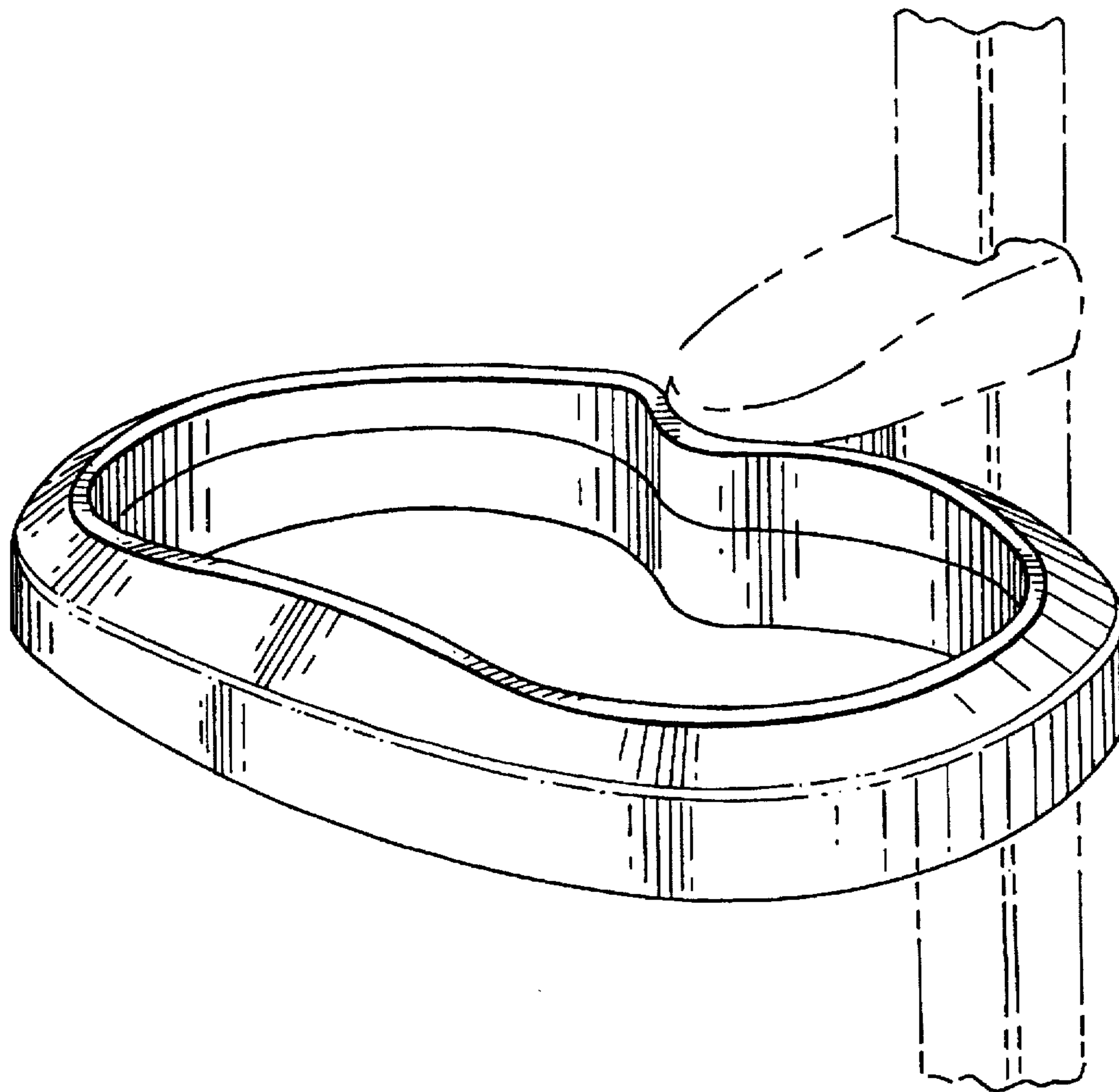


FIG. 1

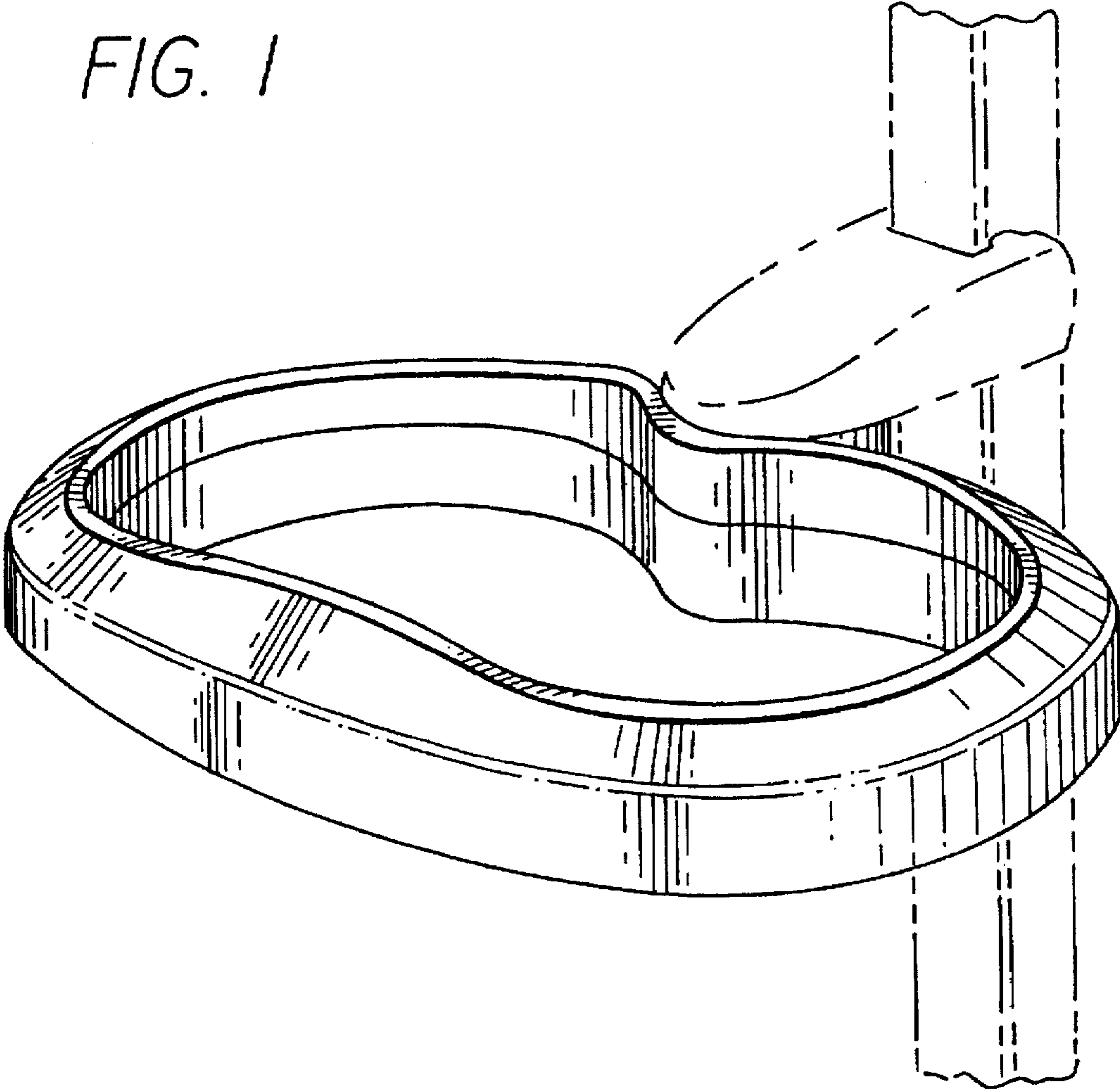


FIG. 2

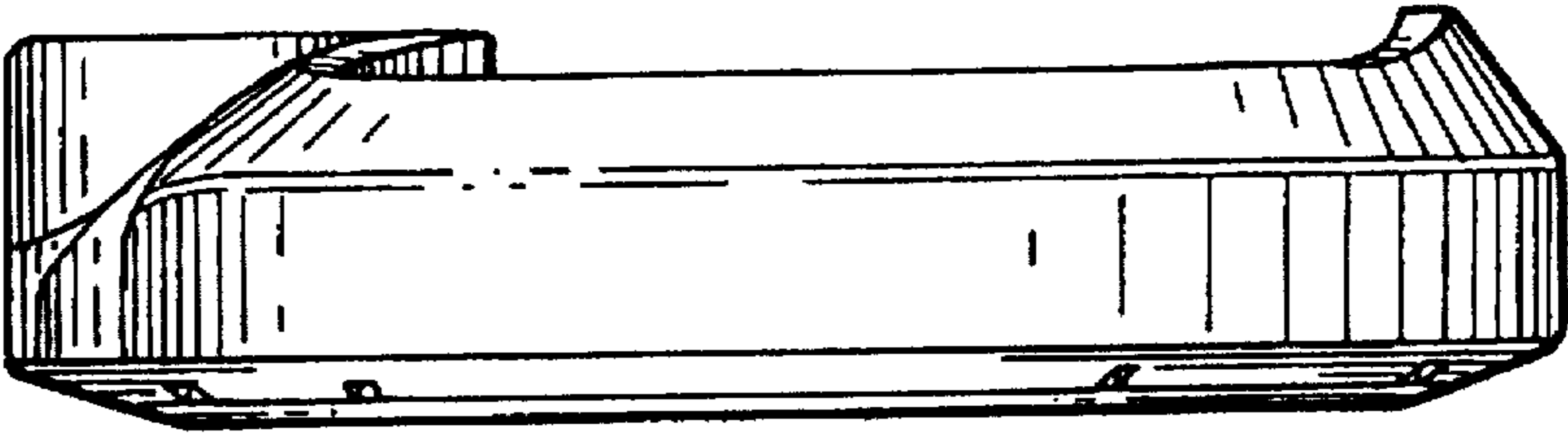


FIG. 3

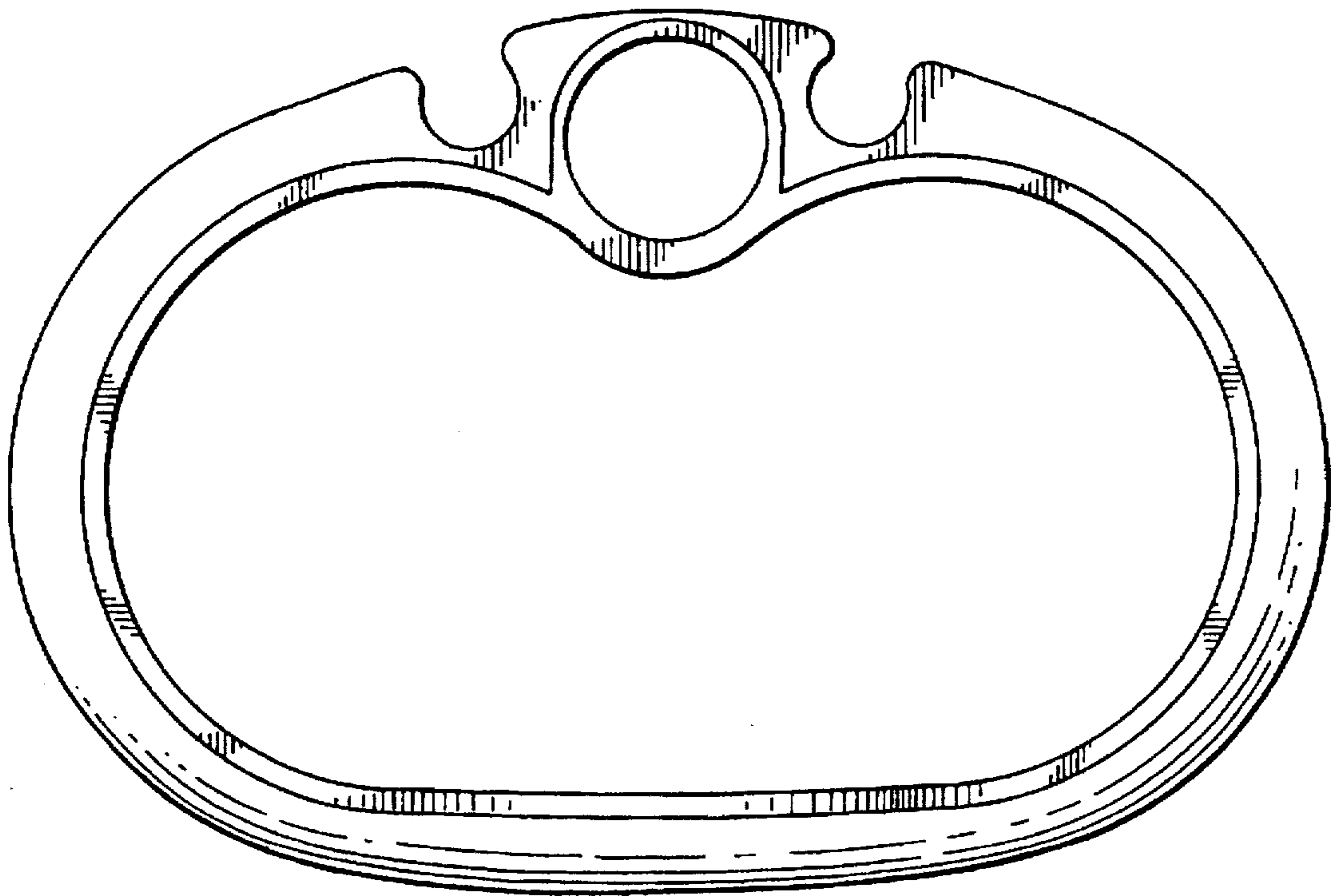


FIG. 4

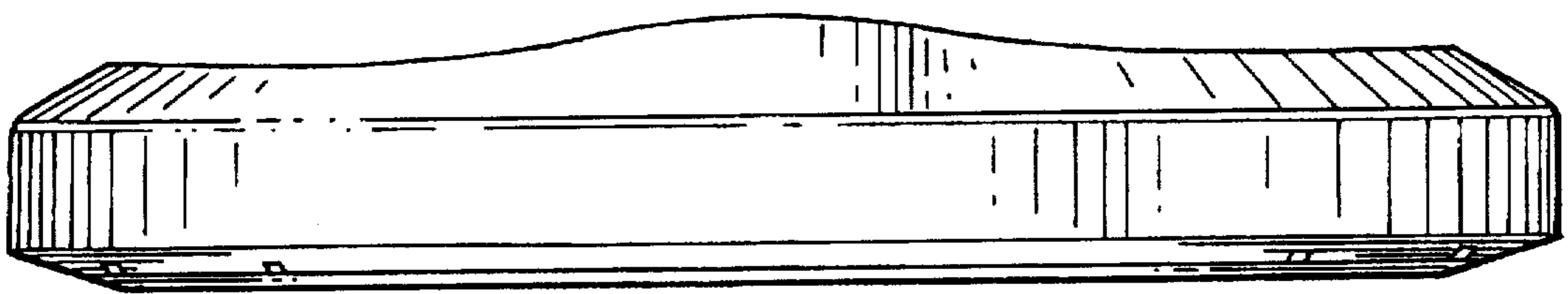


FIG. 5

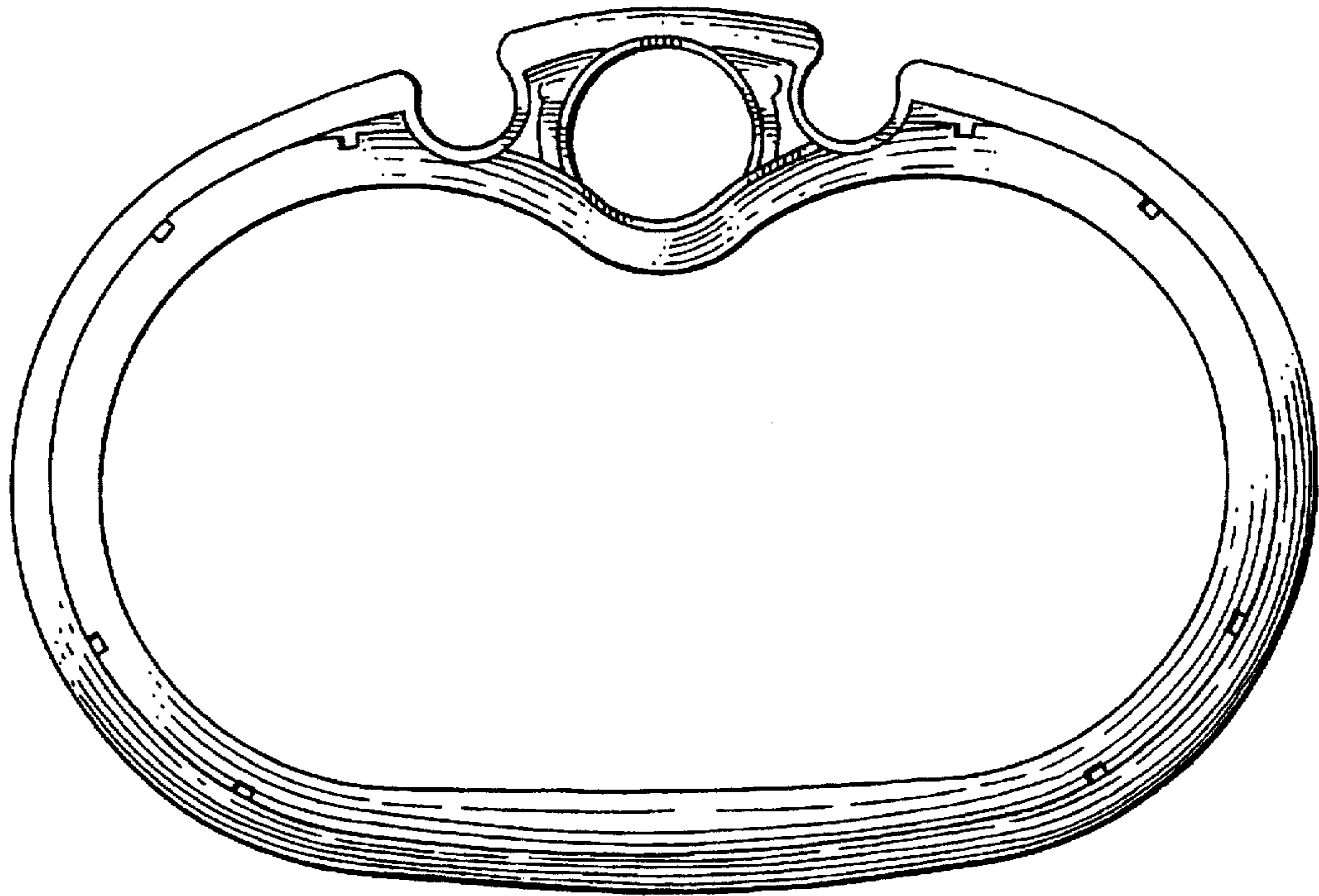


FIG. 6

