



US00D384531S

United States Patent [19]

Mervar et al.

[11] Patent Number: **Des. 384,531**

[45] Date of Patent: ****Oct. 7, 1997**

[54] ROLL TOILET TISSUE DISPENSER

D. 184,678 3/1959 Jones et al. D6/520
3,126,164 3/1964 Perrin 252/598.6 X

[75] Inventors: **Robert Mervar**, Hillsboro, Oreg.;
Ronald Vish, Somerville, Mass.

OTHER PUBLICATIONS

"Institutions" Aug. 1959, p. 87, Tissue Dispenser.

[73] Assignee: **James River Corporation of Virginia**,
Richmond, Va.

Primary Examiner—Brian N. Vinson
Attorney, Agent, or Firm—Thomas R. Lampe

[**] Term: **14 Years**

[57] CLAIM

[21] Appl. No.: **60,260**

The ornamental design for roll toilet tissue dispenser, as shown and described.

[22] Filed: **Sep. 25, 1996**

DESCRIPTION

[51] LOC (6) Cl. **07-07**

[52] U.S. Cl. **D6/520**

[58] Field of Search D6/518, 520, 523;
242/570, 590, 598, 598.6; 206/389, 391;
312/34.8, 34.22

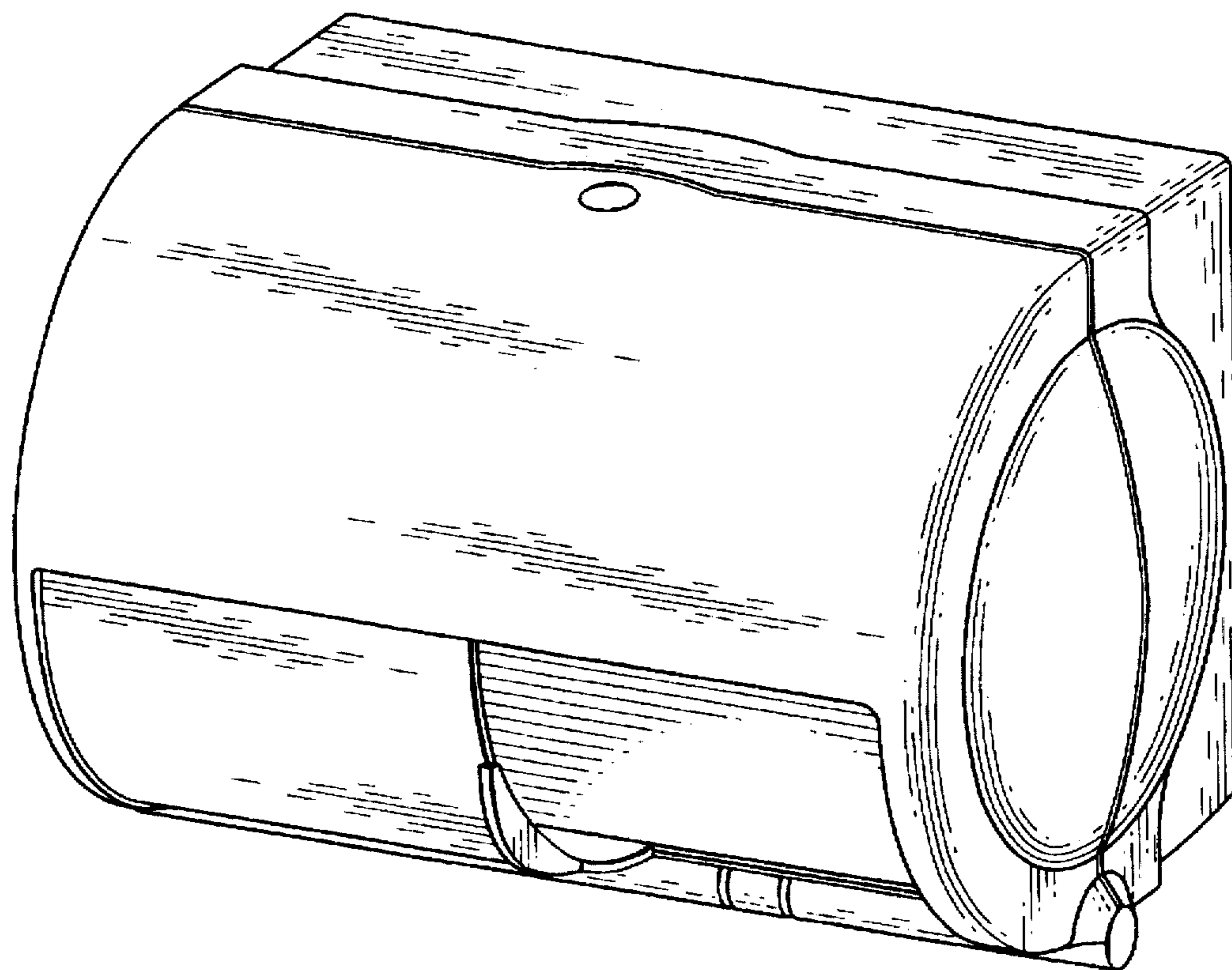
FIG. 1 is a front perspective view of roll toilet tissue dispenser showing our design;
FIG. 2 is a front elevation view thereof;
FIG. 3 is a right side view thereof, the left side view being a mirror image;
FIG. 4 is a top plan view thereof;
FIG. 5 is a bottom plan view thereof; and,
FIG. 6 is a rear elevation view thereof.

[56] References Cited

U.S. PATENT DOCUMENTS

D. 184,588 3/1959 Tucker D6/520

1 Claim, 2 Drawing Sheets



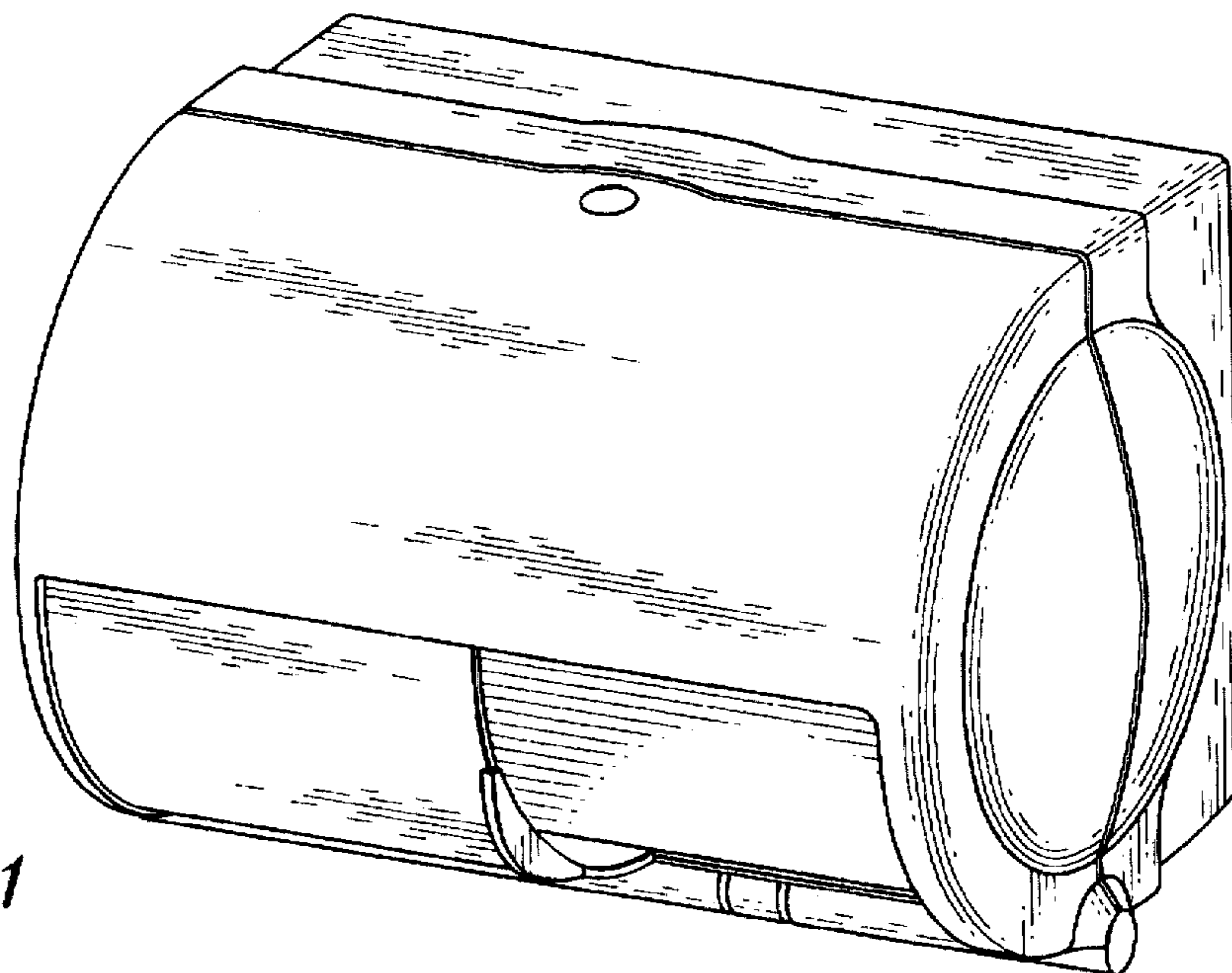


Fig. 1

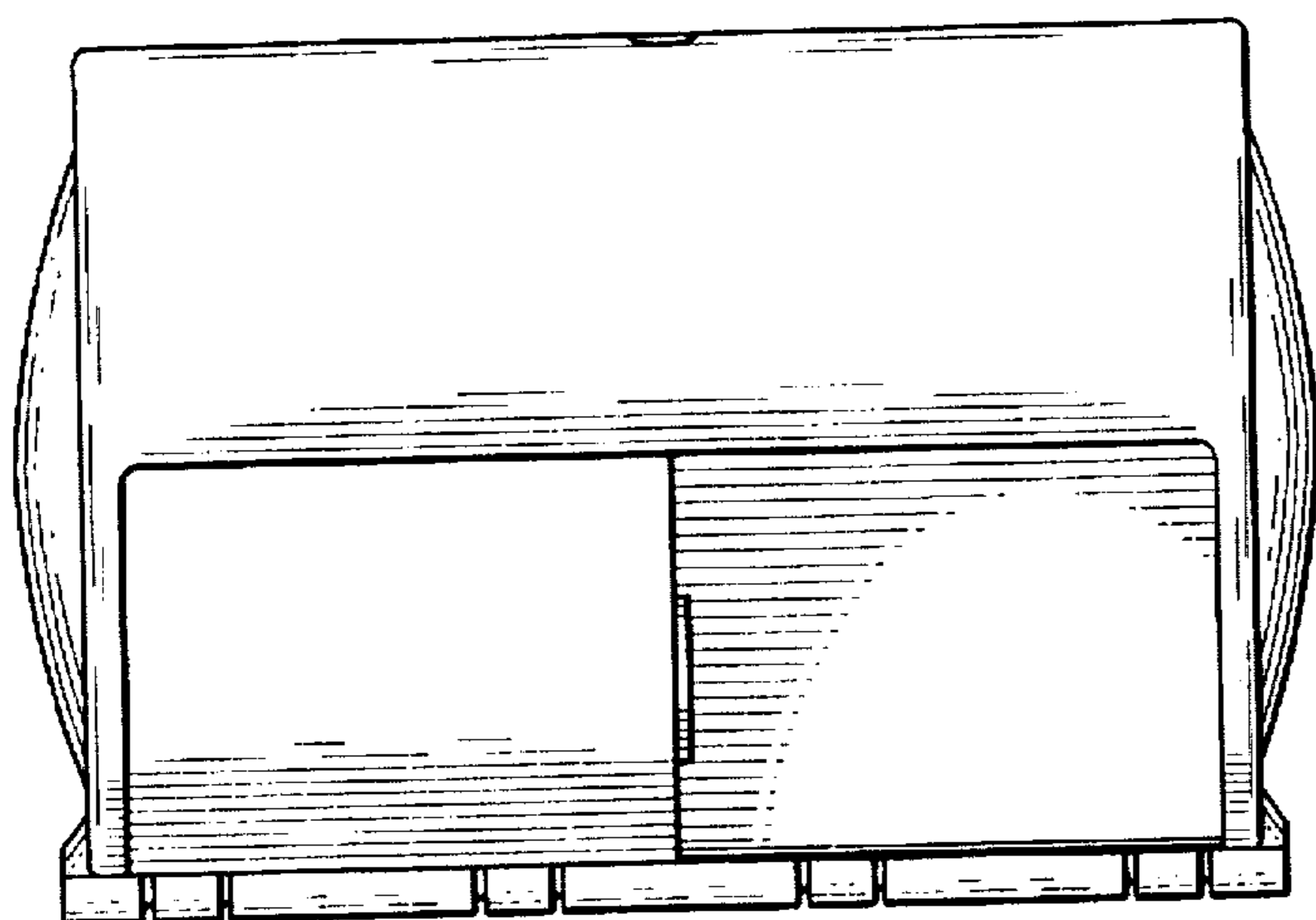


Fig. 2

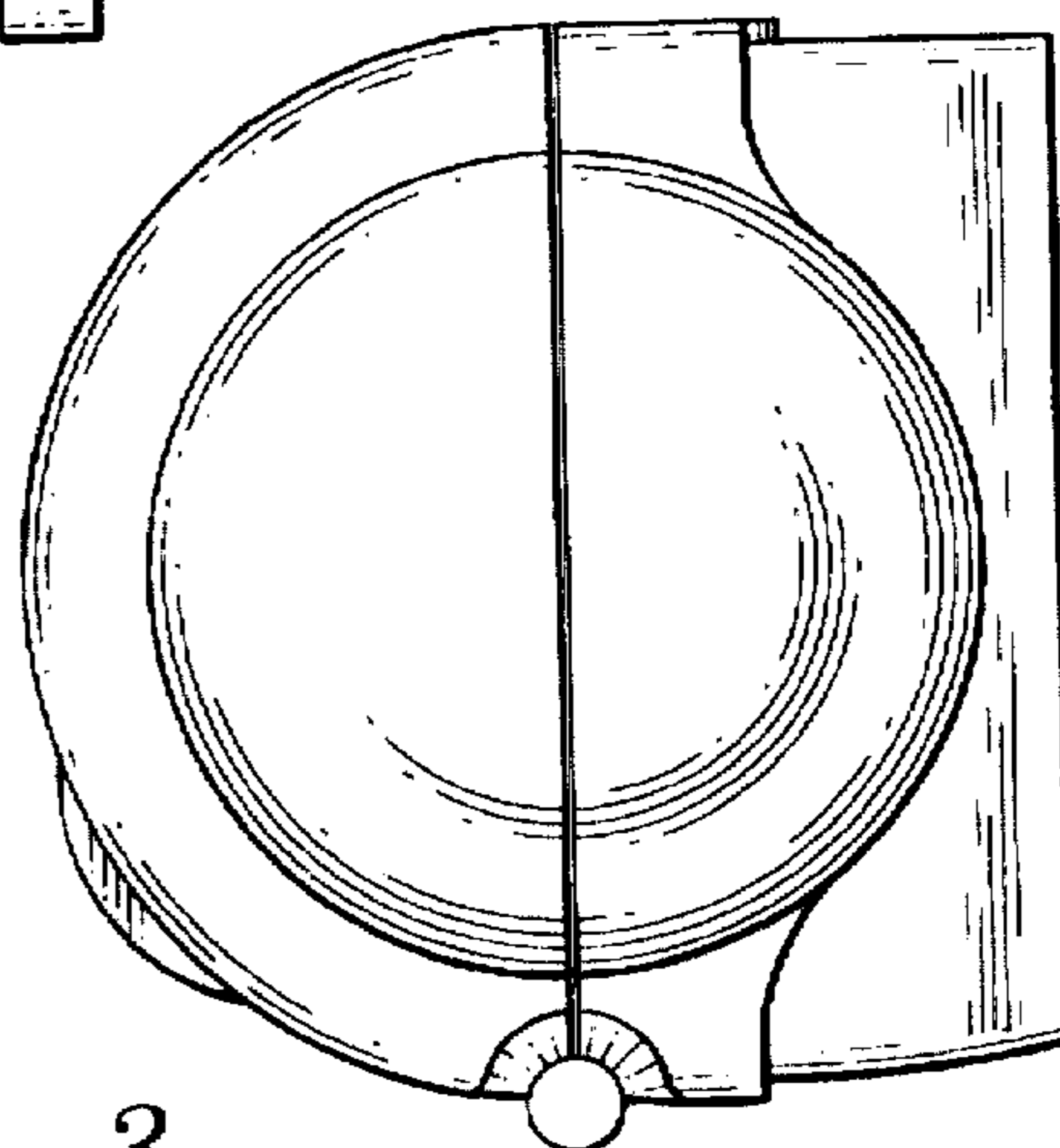


Fig. 3

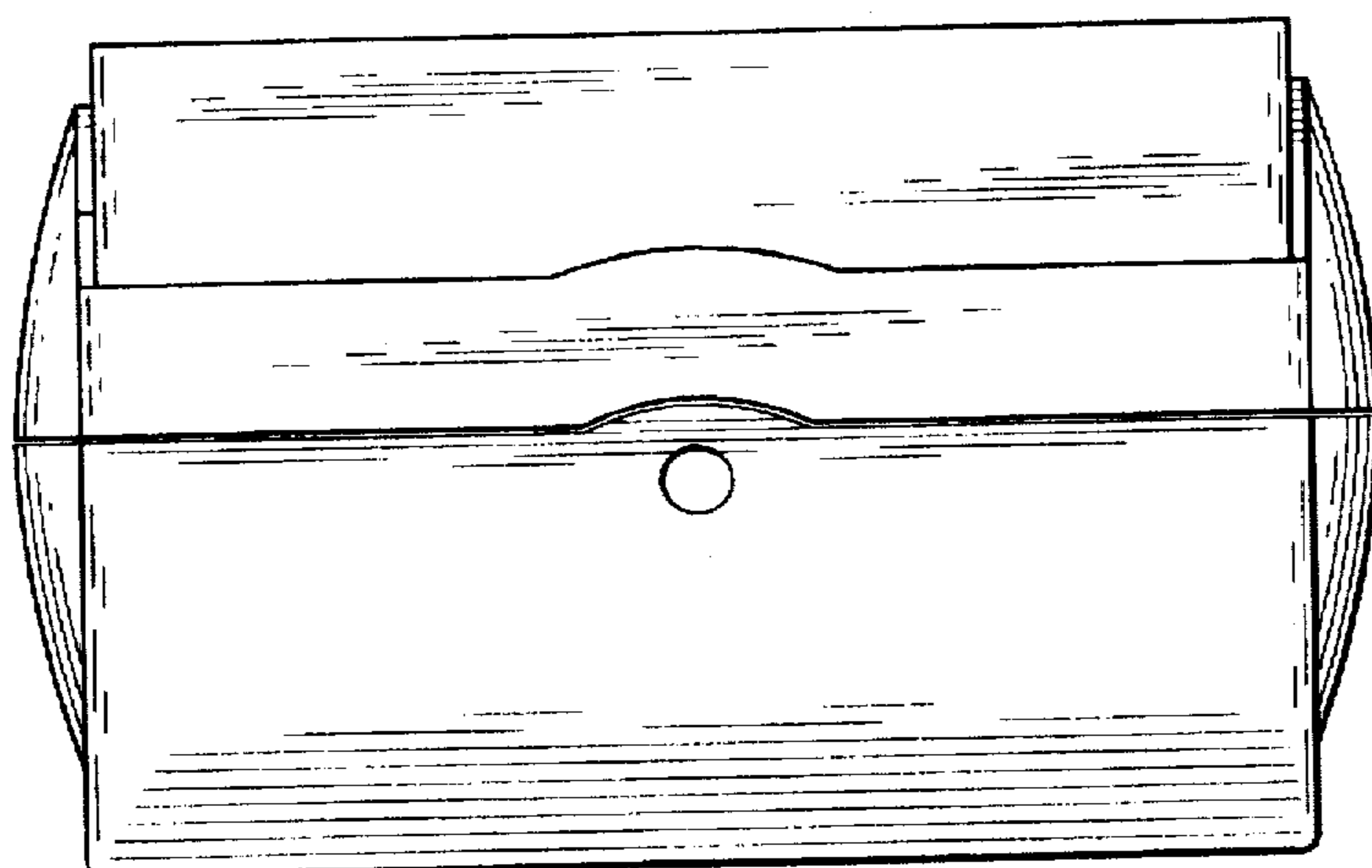


Fig. 4

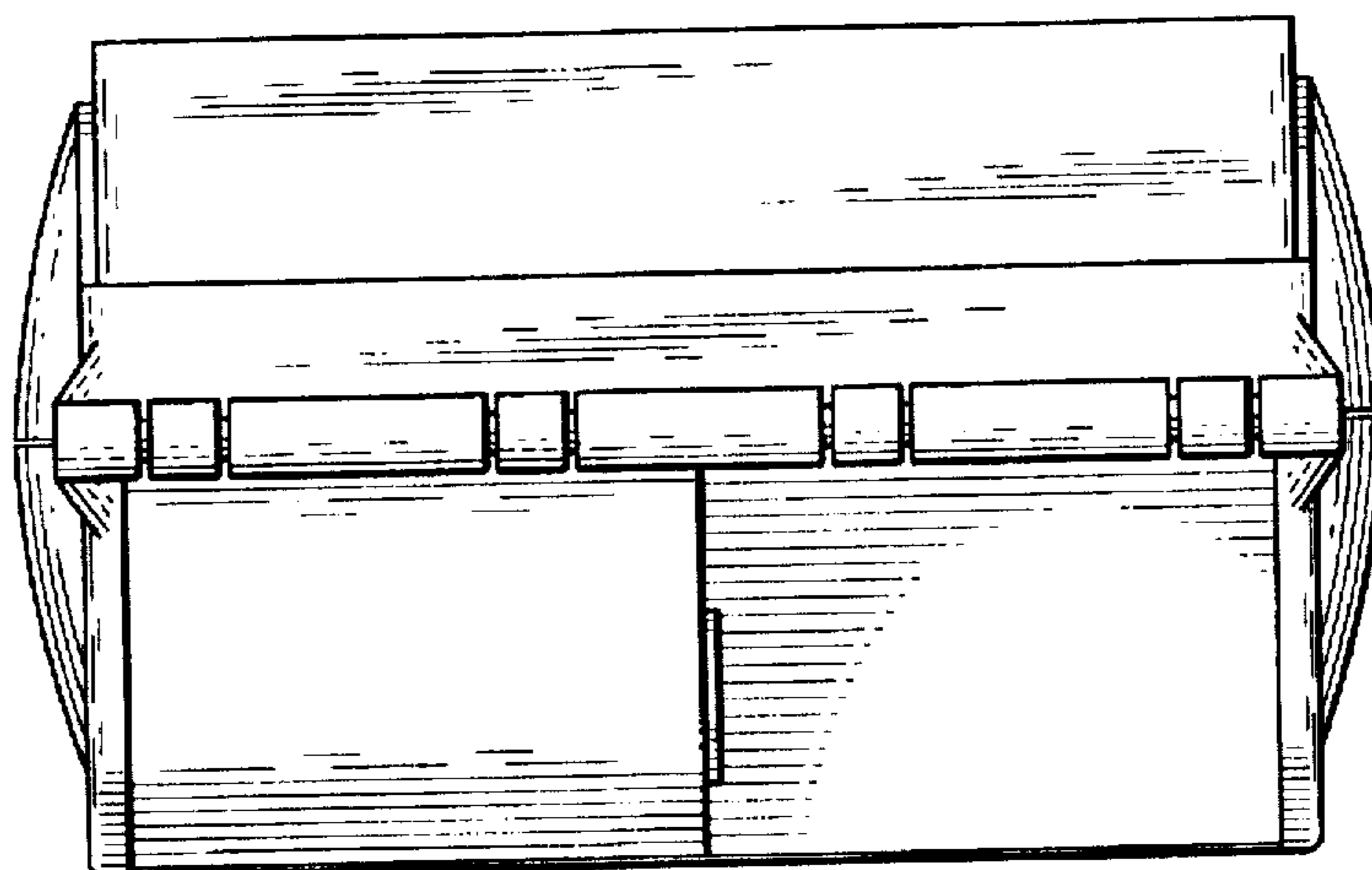


Fig. 5

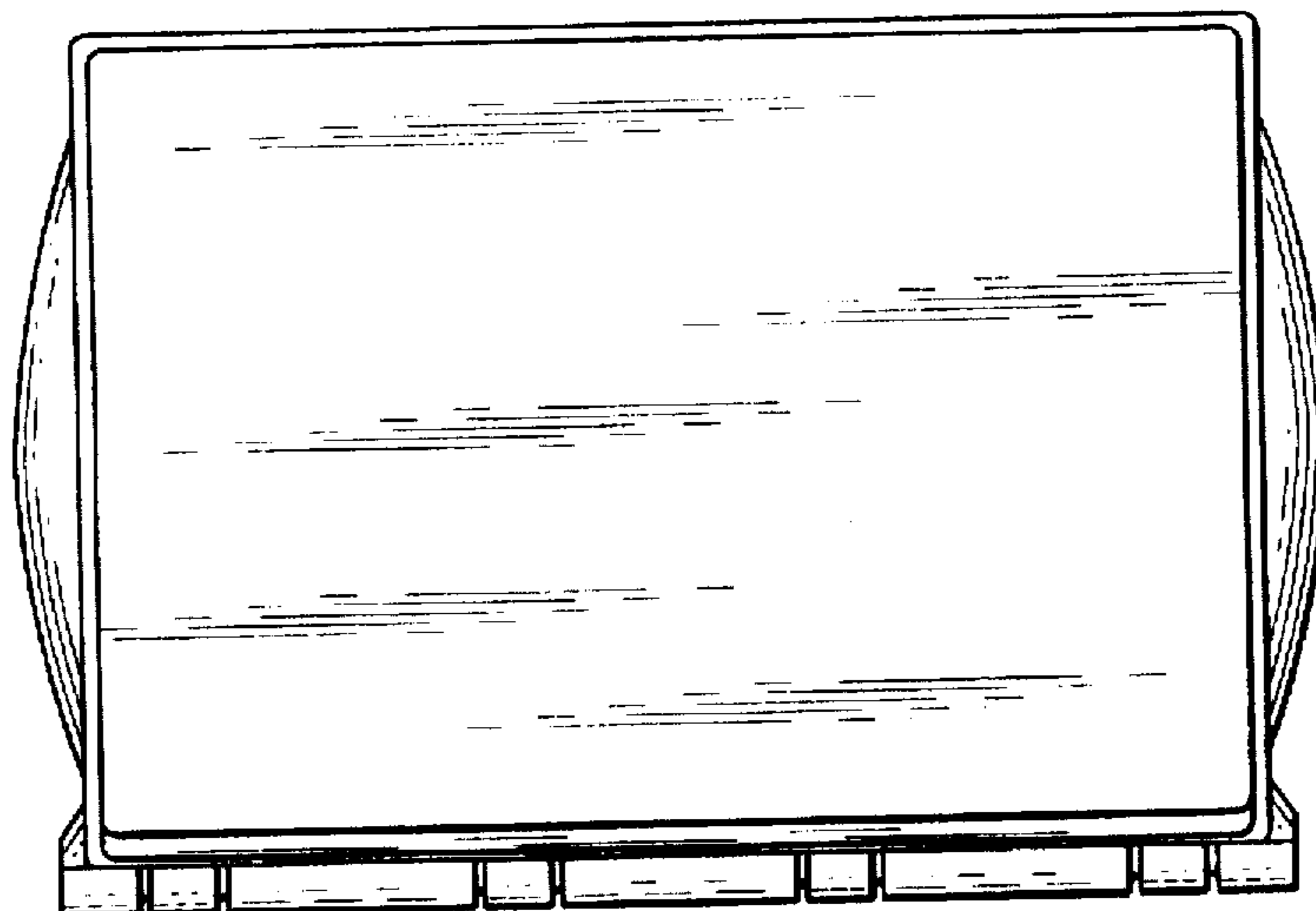


Fig. 6