



US00D384529S

**United States Patent** [19]  
**Muller**

[11] **Patent Number:** **Des. 384,529**  
[45] **Date of Patent:** **\*\*Oct. 7, 1997**

[54] **TABLE**

[75] **Inventor:** **Carl A. Muller**, Altadena, Calif.  
[73] **Assignee:** **Elite Manufacturing Corporation**,  
Gardena, Calif.  
[\*\*] **Term:** **14 Years**

[21] **Appl. No.:** **52,762**  
[22] **Filed:** **Apr. 4, 1996**

[51] **LOC (6) Cl.** ..... **06-03**  
[52] **U.S. Cl.** ..... **D6/480; D6/488**  
[58] **Field of Search** ..... **D6/480-489, 495;**  
**108/153, 156, 161, 184; 248/188, 188.1**

[56] **References Cited**

**U.S. PATENT DOCUMENTS**

D. 214,672 7/1969 Ricca ..... D6/488  
D. 333,932 3/1993 Martin ..... D6/484

**OTHER PUBLICATIONS**

Bloomington, p. 2, table at bottom of page.  
Bloomington, Jun. 1994, front cover, table at lower left.  
Gunlocke, Trident Table.  
LaBarge, table at top.

*Primary Examiner*—Janice E. Seeger  
*Attorney, Agent, or Firm*—Stetina Brunda & Buyan

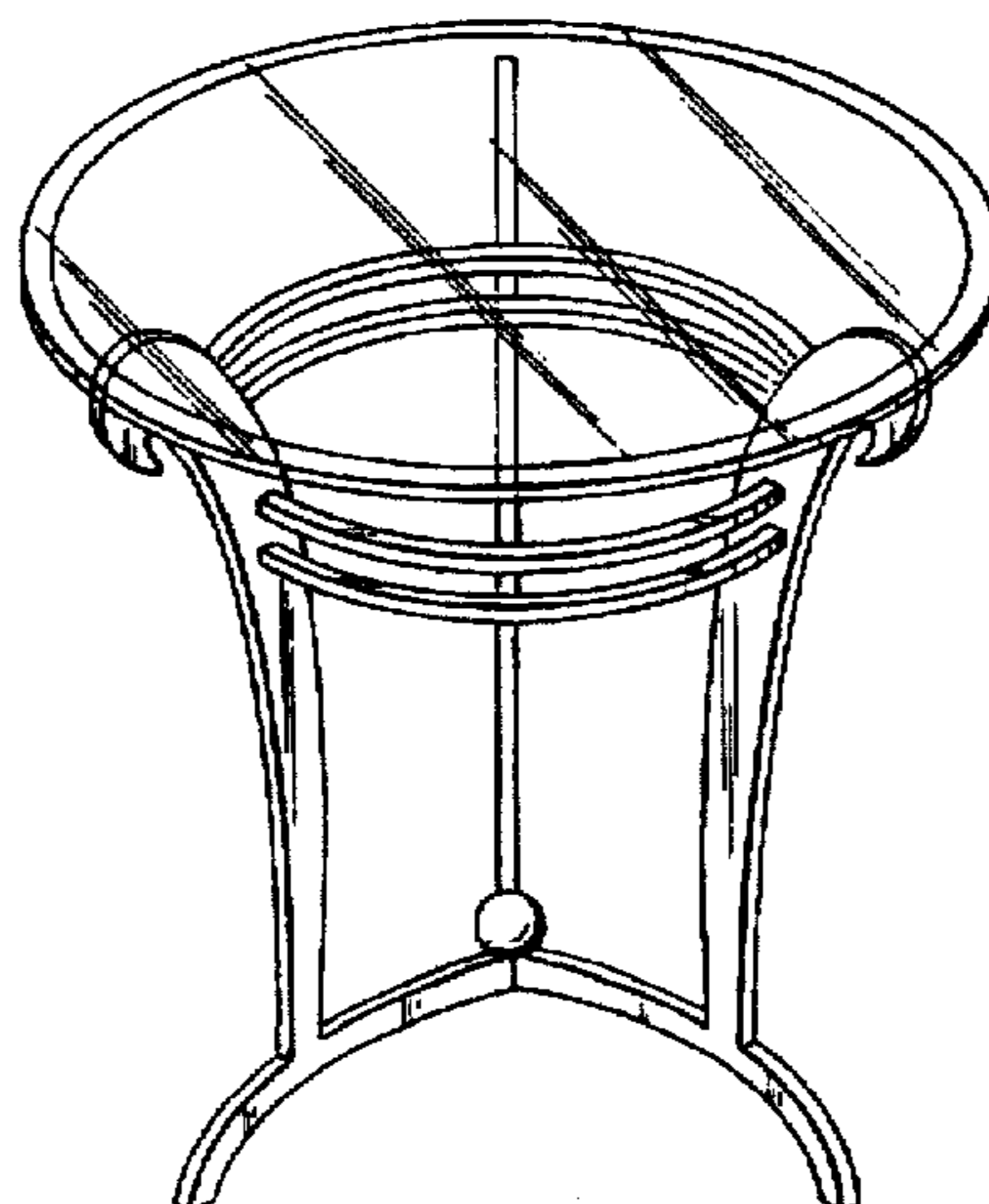
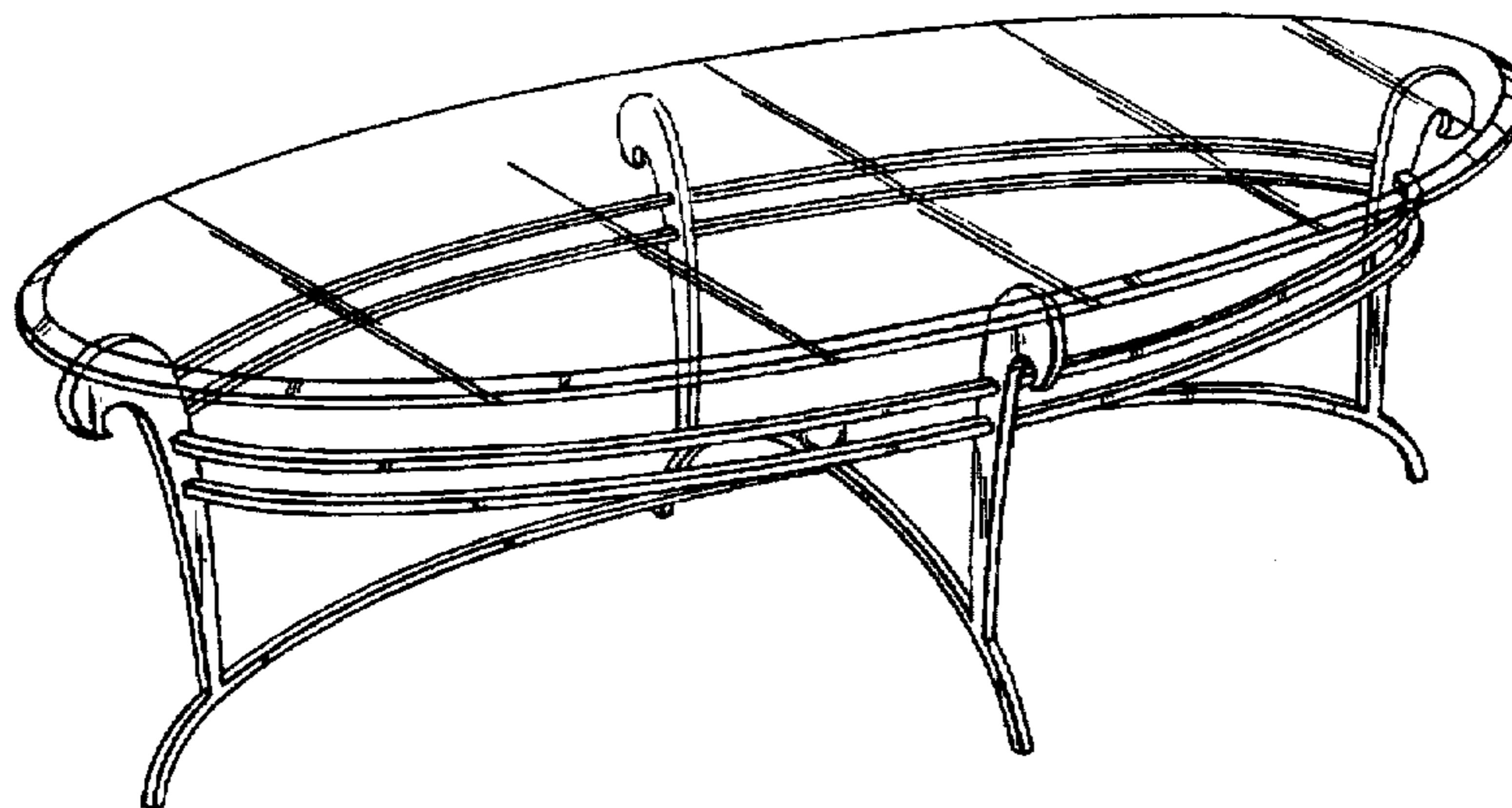
[57] **CLAIM**

The ornamental design for a table, as shown and described.

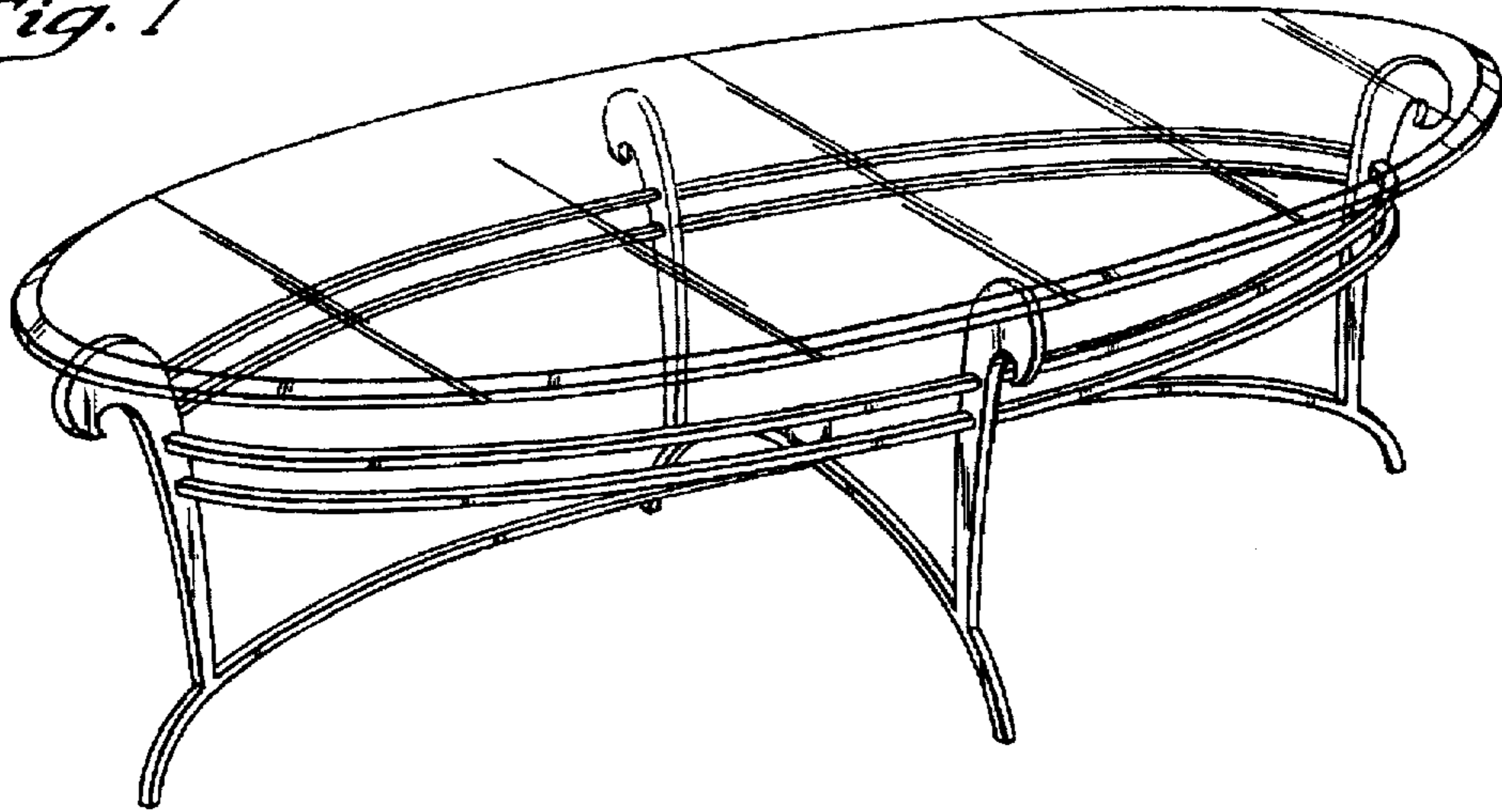
**DESCRIPTION**

FIG. 1 is a front top perspective view of the table of the present invention showing my new design;  
FIG. 2 is a top elevational view thereof;  
FIG. 3 is a front elevational view thereof;  
FIG. 4 is an end elevational view;  
FIG. 5 is a perspective view of a table, showing a second embodiment of my new design;  
FIG. 6 is a top plan view thereof; and,  
FIG. 7 is a side elevational view thereof.

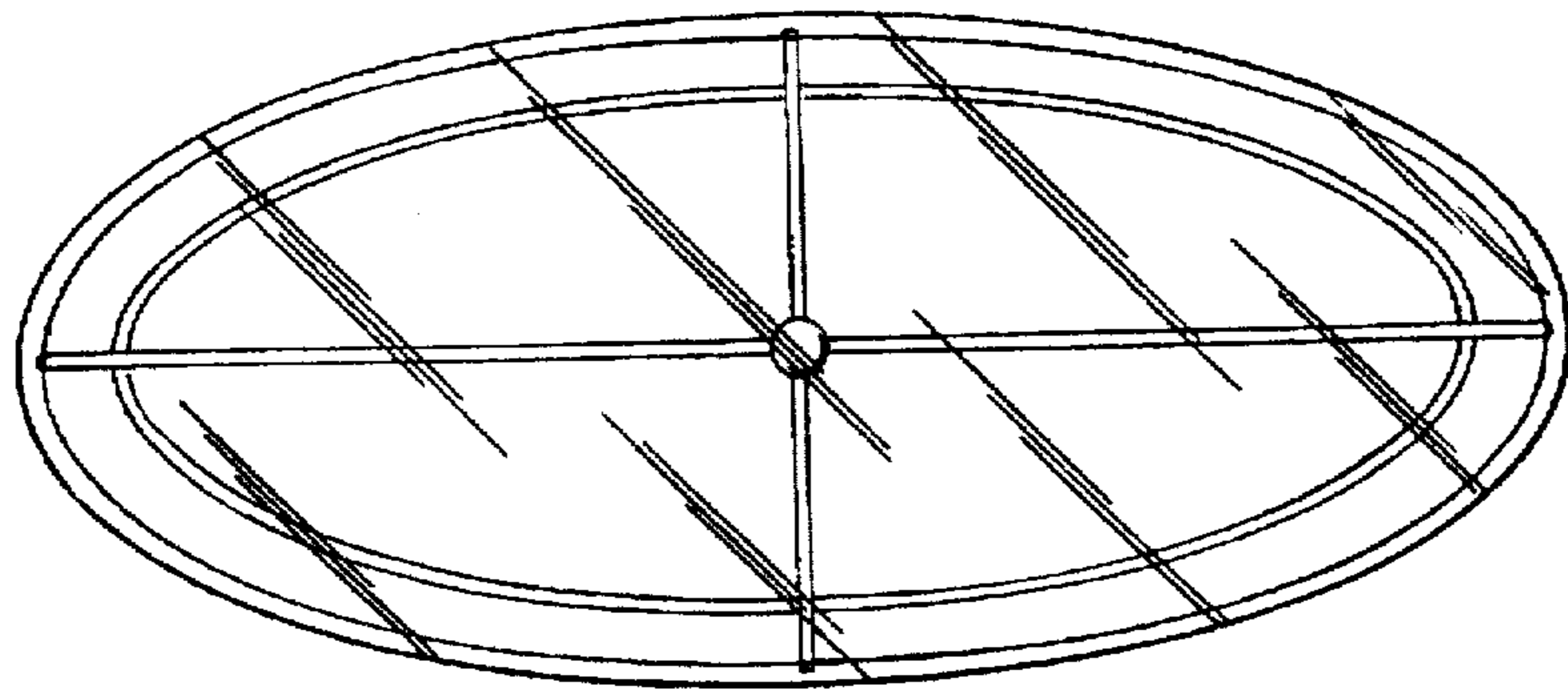
**1 Claim, 2 Drawing Sheets**



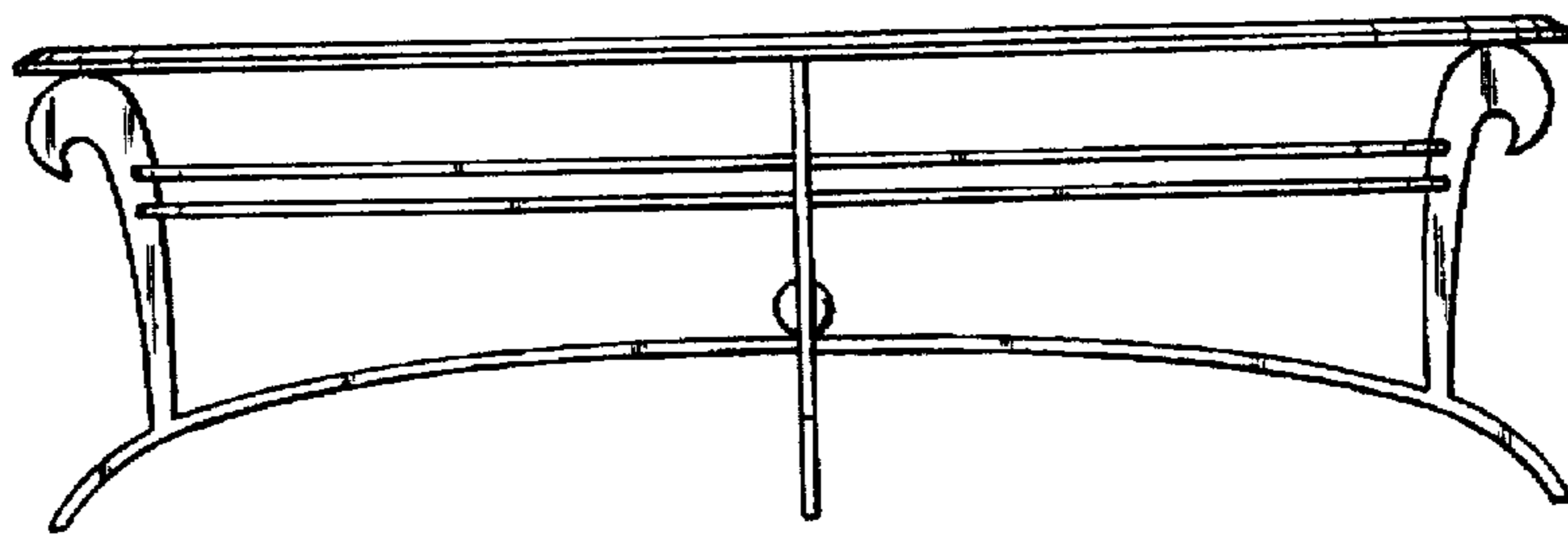
*Fig. 1*



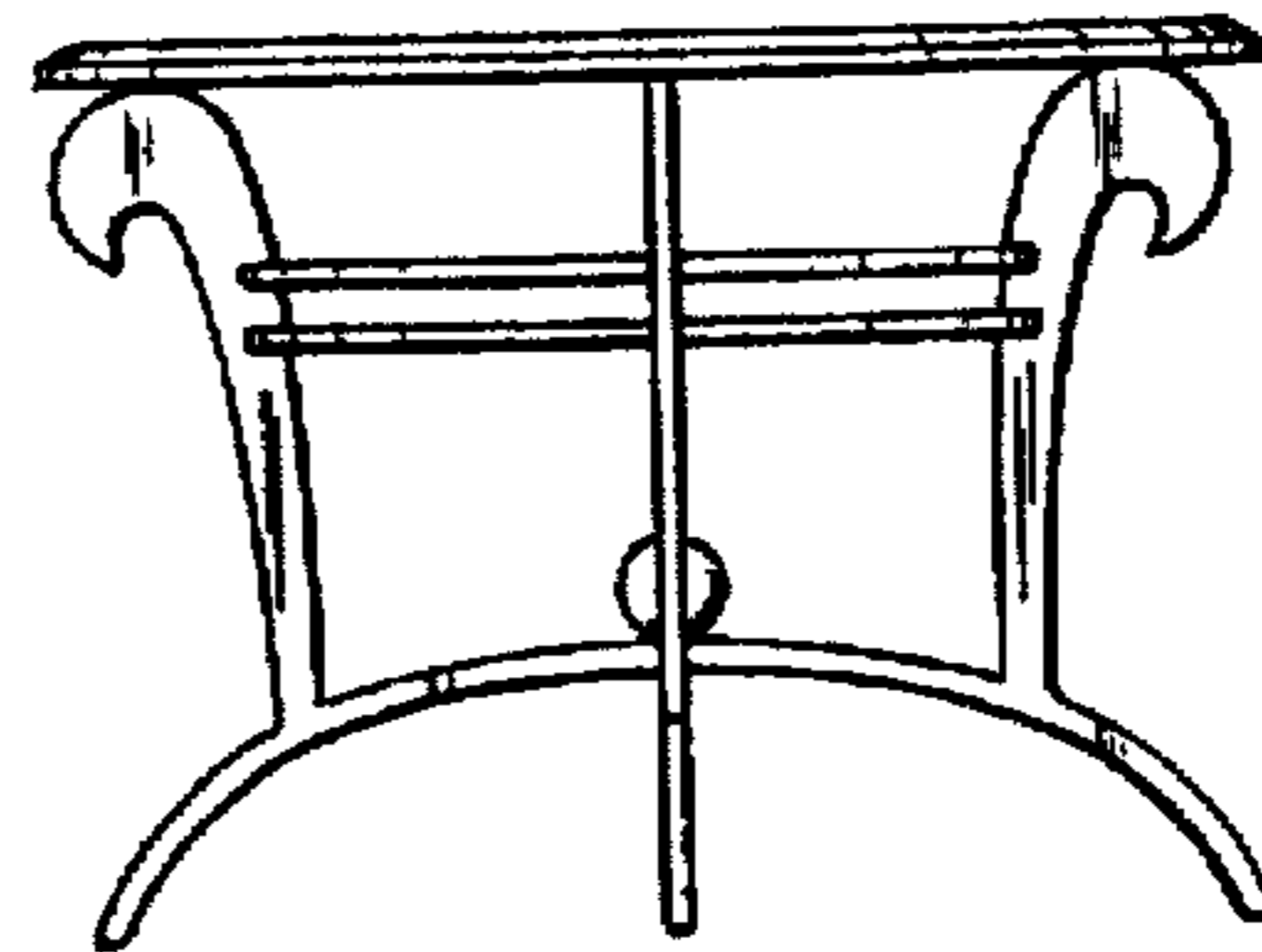
*Fig. 2*



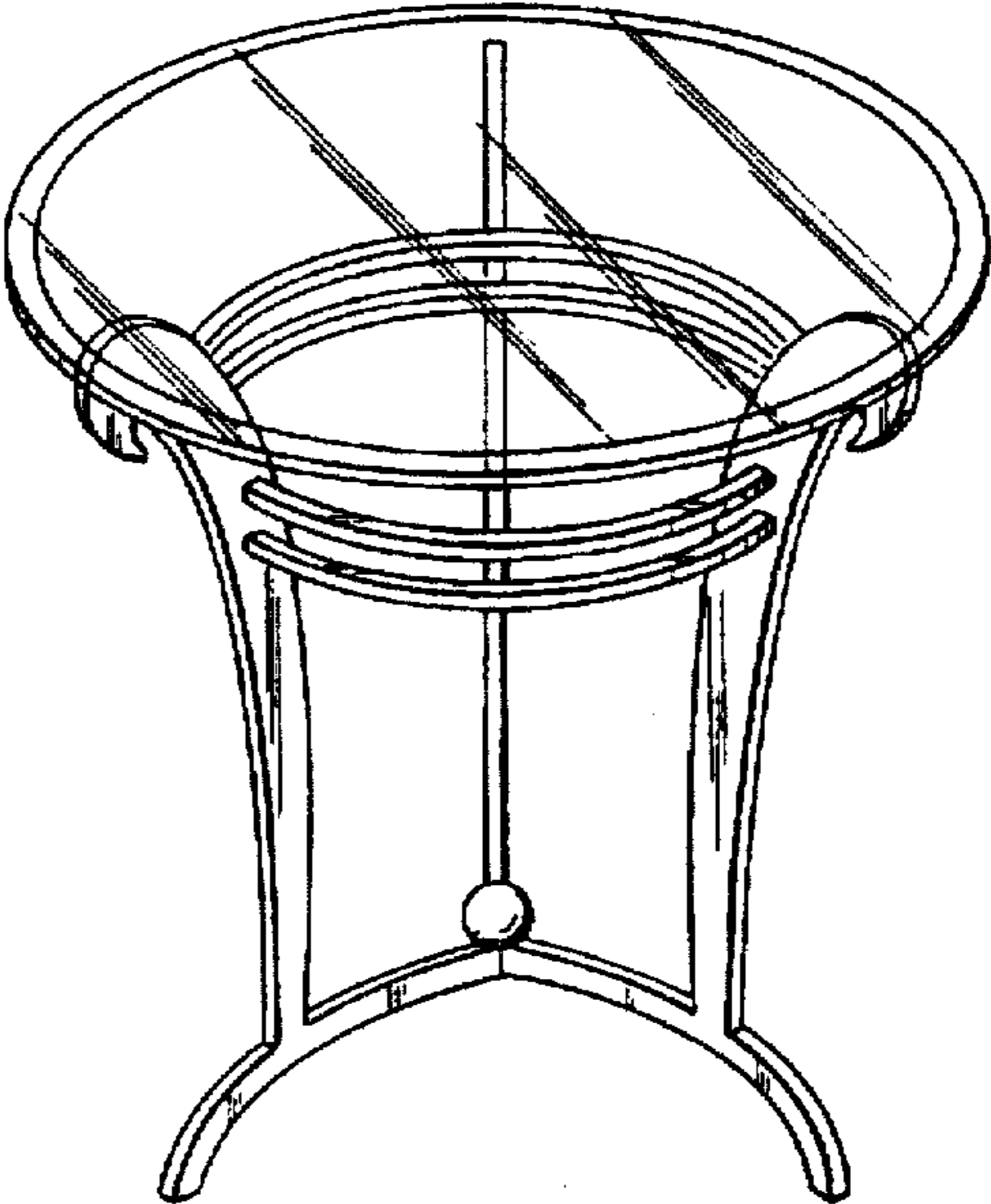
*Fig. 3*



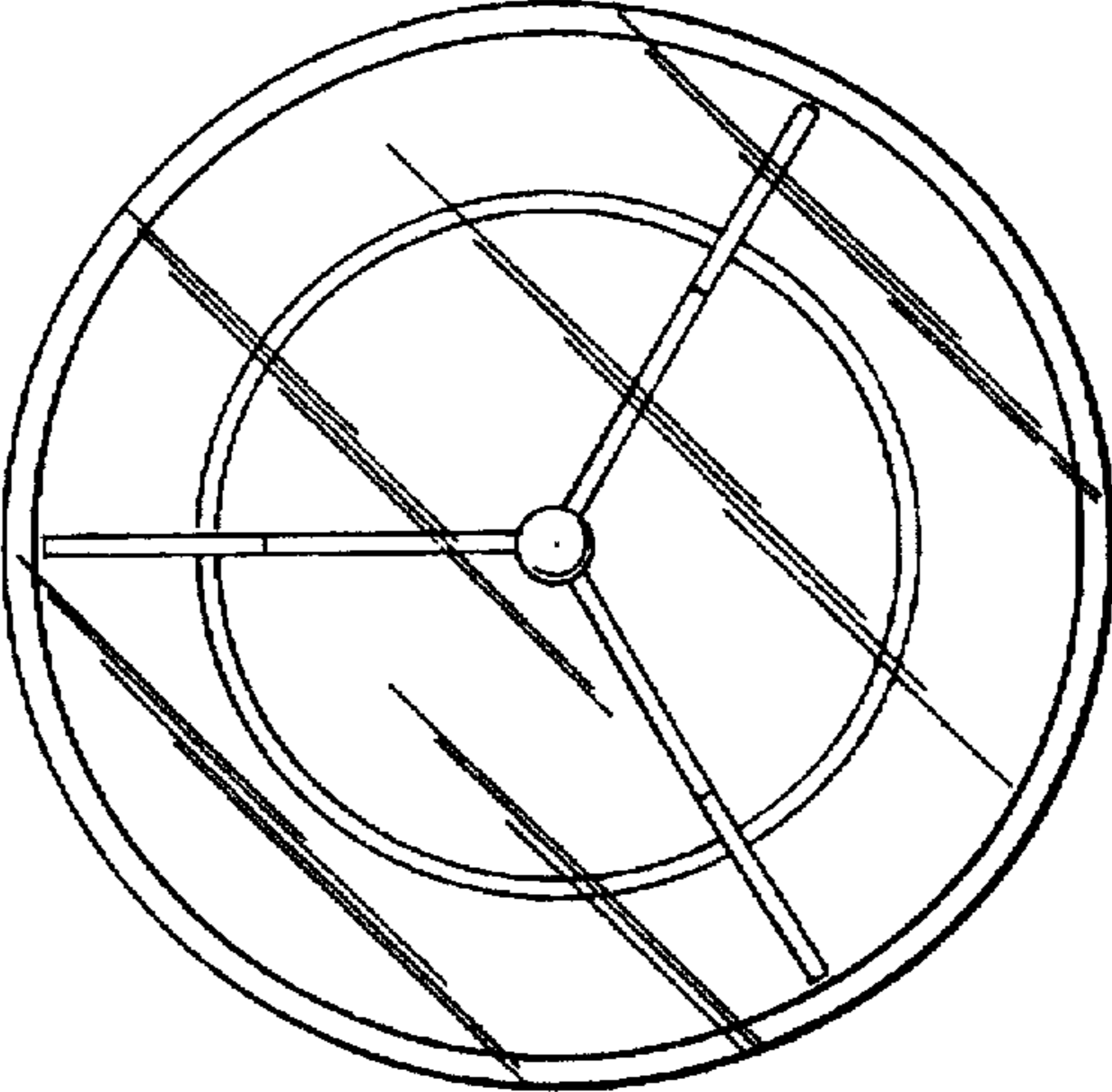
*Fig. 4*



*Fig. 5*



*Fig. 6*



*Fig. 7*

