



US00D384527S

# United States Patent [19]

[11] Patent Number: **Des. 384,527**

Capeto

[45] Date of Patent: **\*\*Oct. 7, 1997**

## [54] LOTTERY TICKET DISPLAY CASE

[76] Inventor: **Arthur Capeto**, 24 Brackett Ave.,  
Tiverton, R.I. 02878

[\*\*] Term: **14 Years**

[21] Appl. No.: **59,589**

[22] Filed: **Sep. 13, 1996**

[51] LOC (6) Cl. .... **20-02**

[52] U.S. Cl. .... **D6/471**

[58] Field of Search ..... D6/470, 471, 464,  
D6/467, 466, 468, 474; 248/146, 148, 150,  
127; 312/50, 114, 117; D20/2, 4, 8; 206/769,  
770; 221/155; 211/50.52; 40/124, 124.1,  
124.4

## [56] References Cited

### U.S. PATENT DOCUMENTS

D. 156,861	1/1950	Babcock	.....	D20/4
D. 246,132	10/1977	Abraham, Jr. et al.	.....	D20/8
D. 277,817	3/1985	Weshler	.....	D6/471
D. 366,786	2/1996	Boone	.....	D6/467
4,209,108	6/1980	Winans	.....	221/155 X

*Primary Examiner*—James Gandy  
*Assistant Examiner*—Linda Brooks  
*Attorney, Agent, or Firm*—Robert J. Doherty

## [57] CLAIM

The ornamental design for a lottery ticket display case, as shown and described.

## DESCRIPTION

FIG. 1 is a front perspective view of a lottery ticket display case showing my new design;

FIG. 2 is a rear perspective view thereof;

FIG. 3 is a front elevational view thereof;

FIG. 4 is a rear elevational view thereof;

FIG. 5 is a right side elevational view thereof;

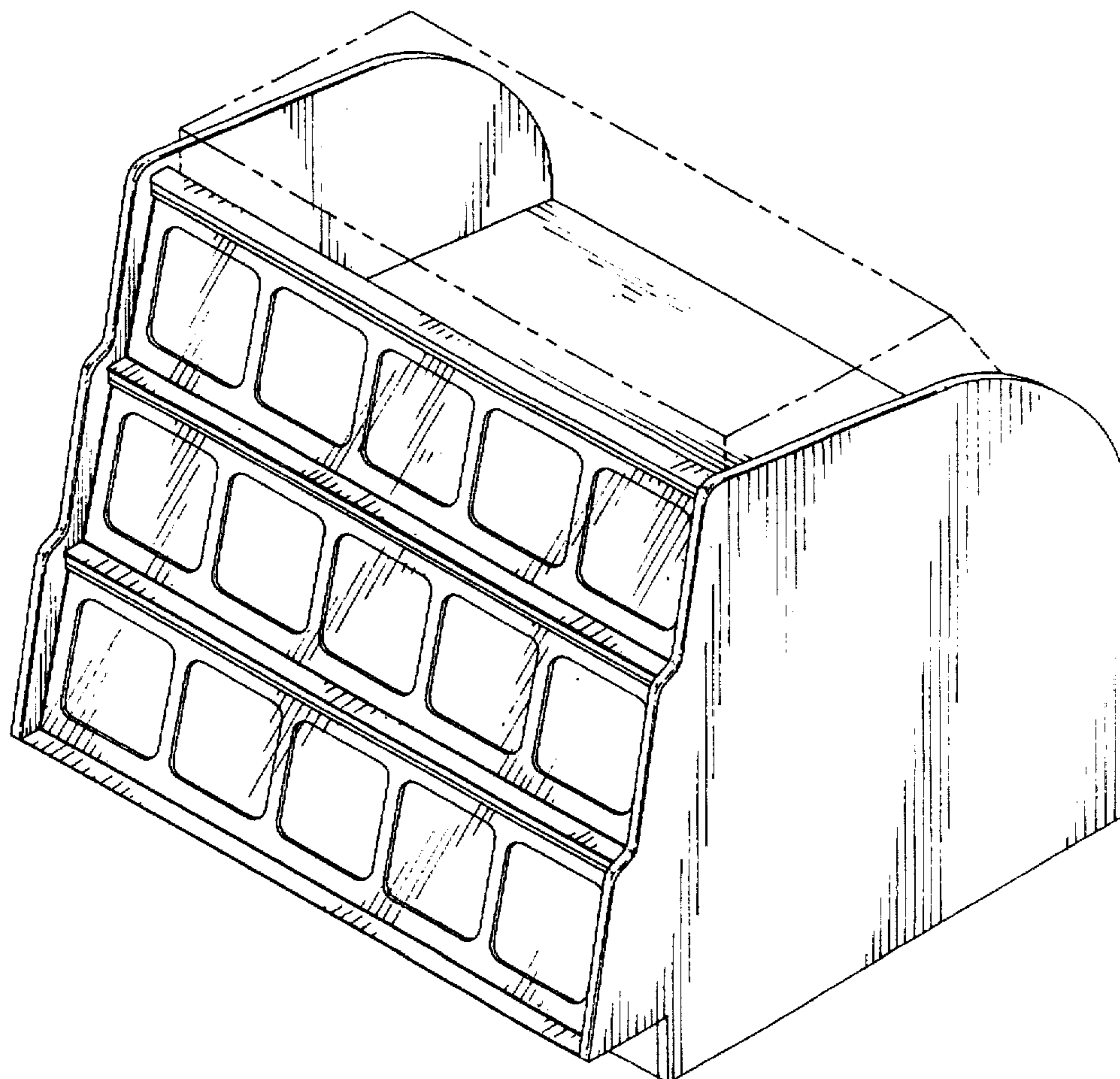
FIG. 6 is a left side elevational view thereof;

FIG. 7 is a top plan view thereof; and,

FIG. 8 is a bottom plan view thereof.

The dot dash lines in FIGS. 1 and 2 representing the shape and positioning of a computer terminal are for illustrative purposes only and form no part of the claimed design.

**1 Claim, 5 Drawing Sheets**



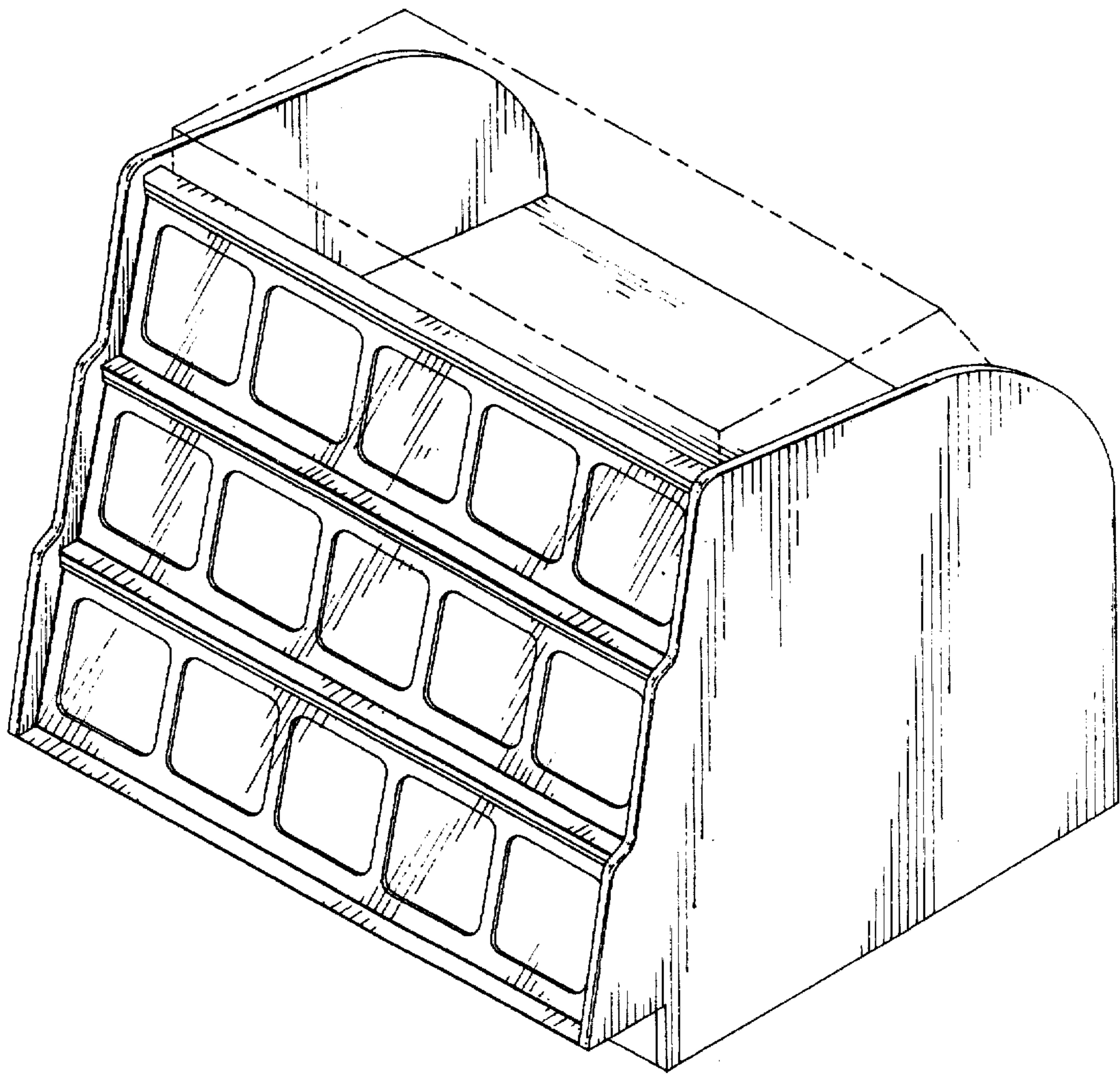


FIG. 1

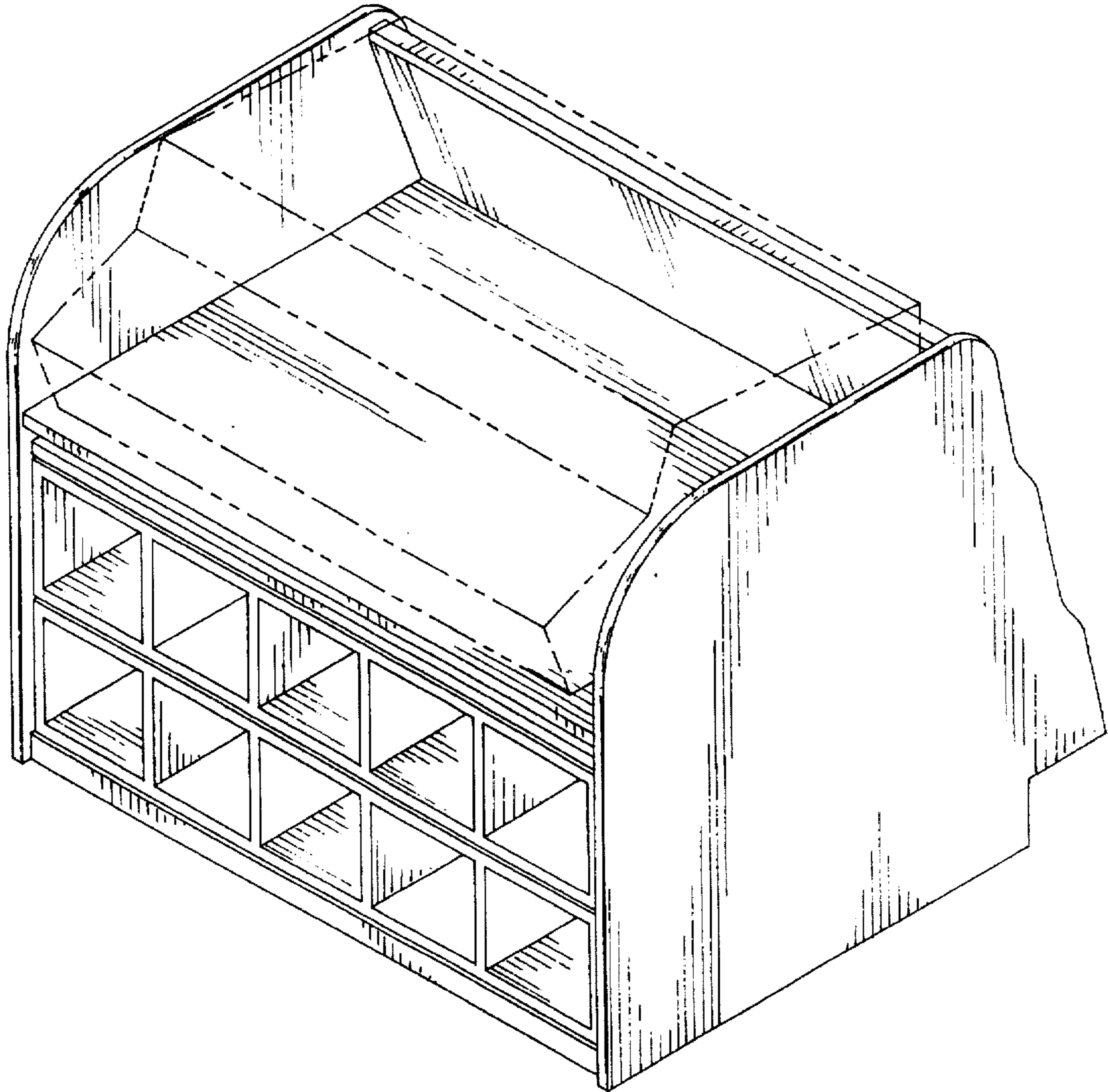


FIG. 2



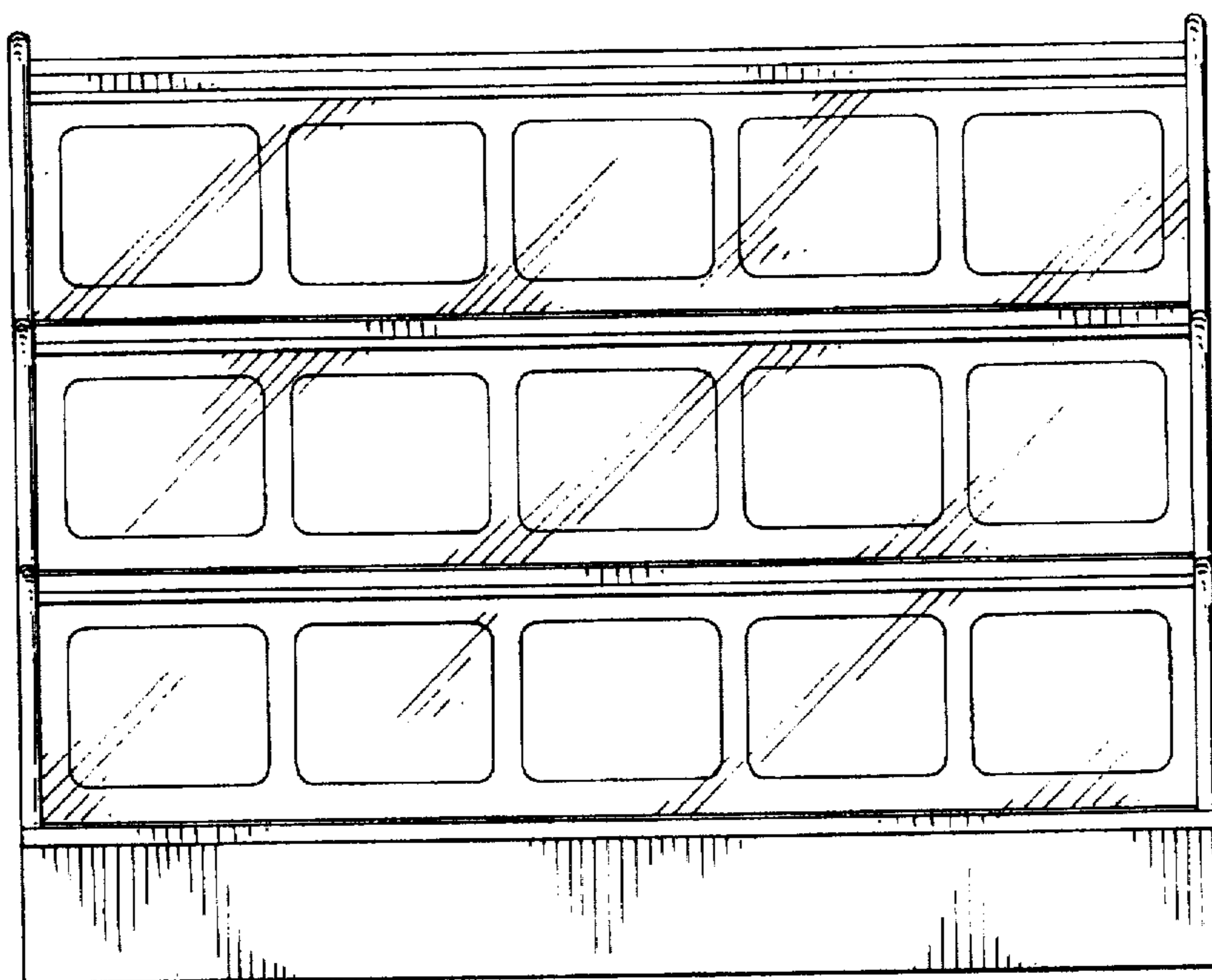


FIG. 3

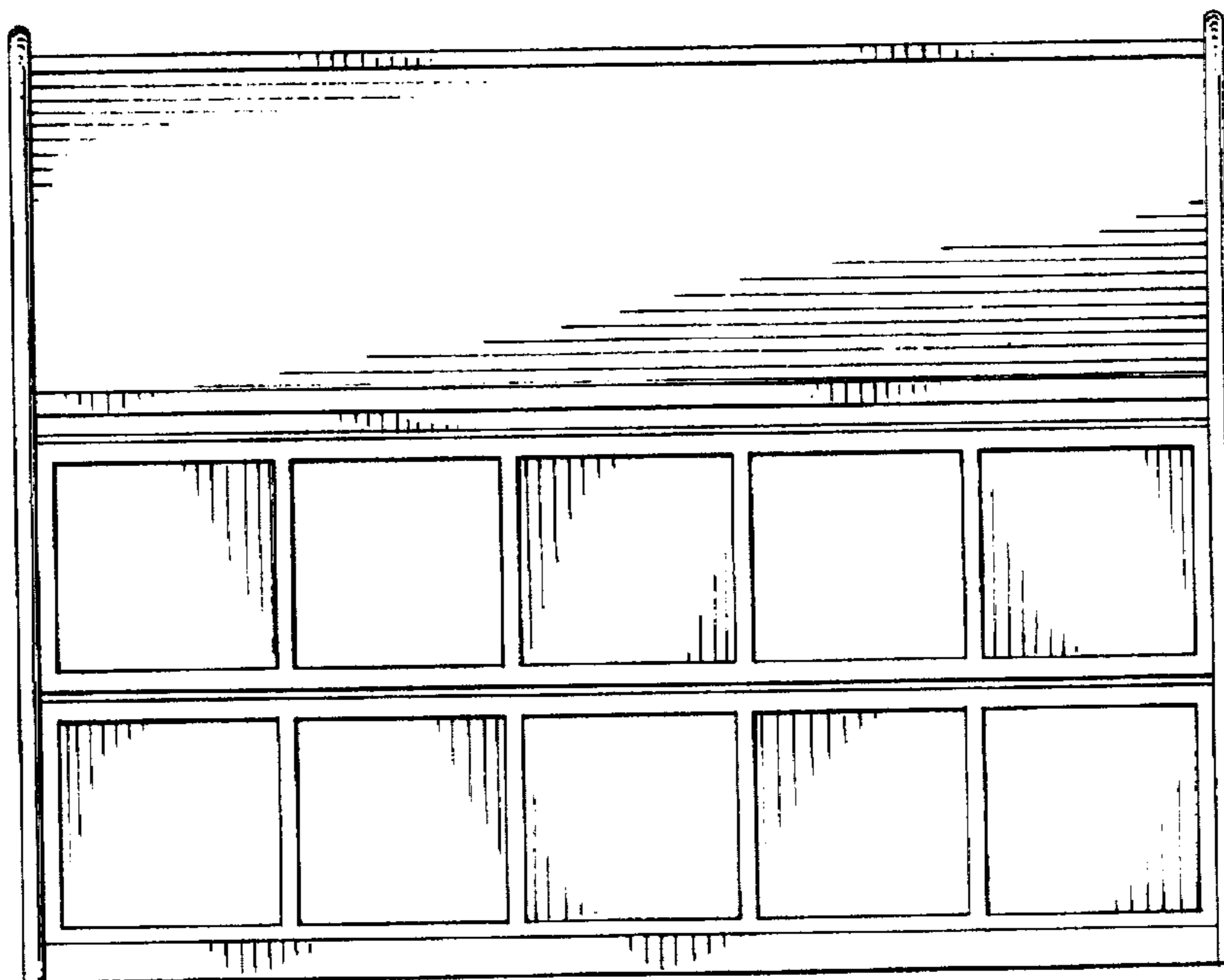


FIG. 4

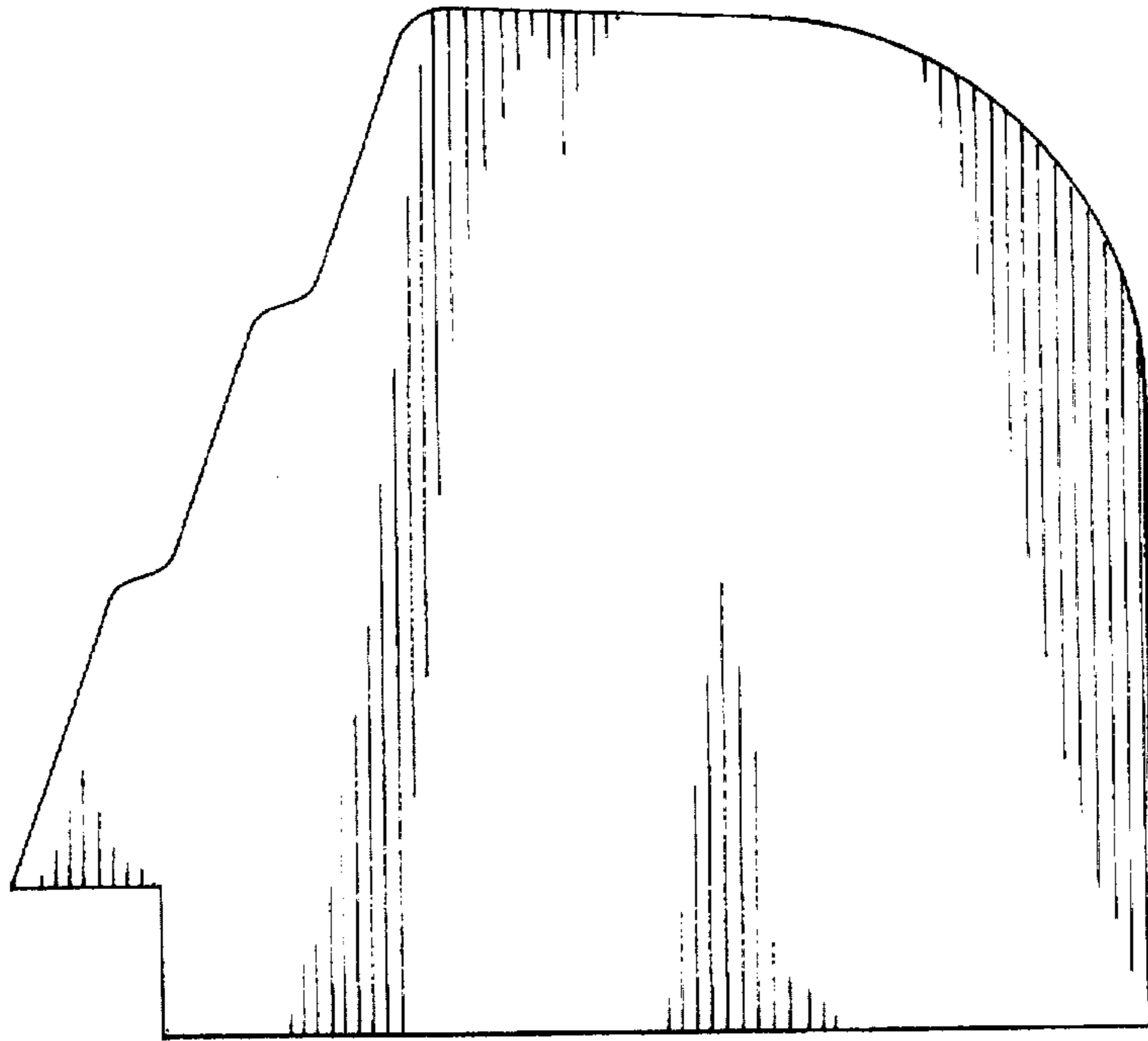


FIG. 5

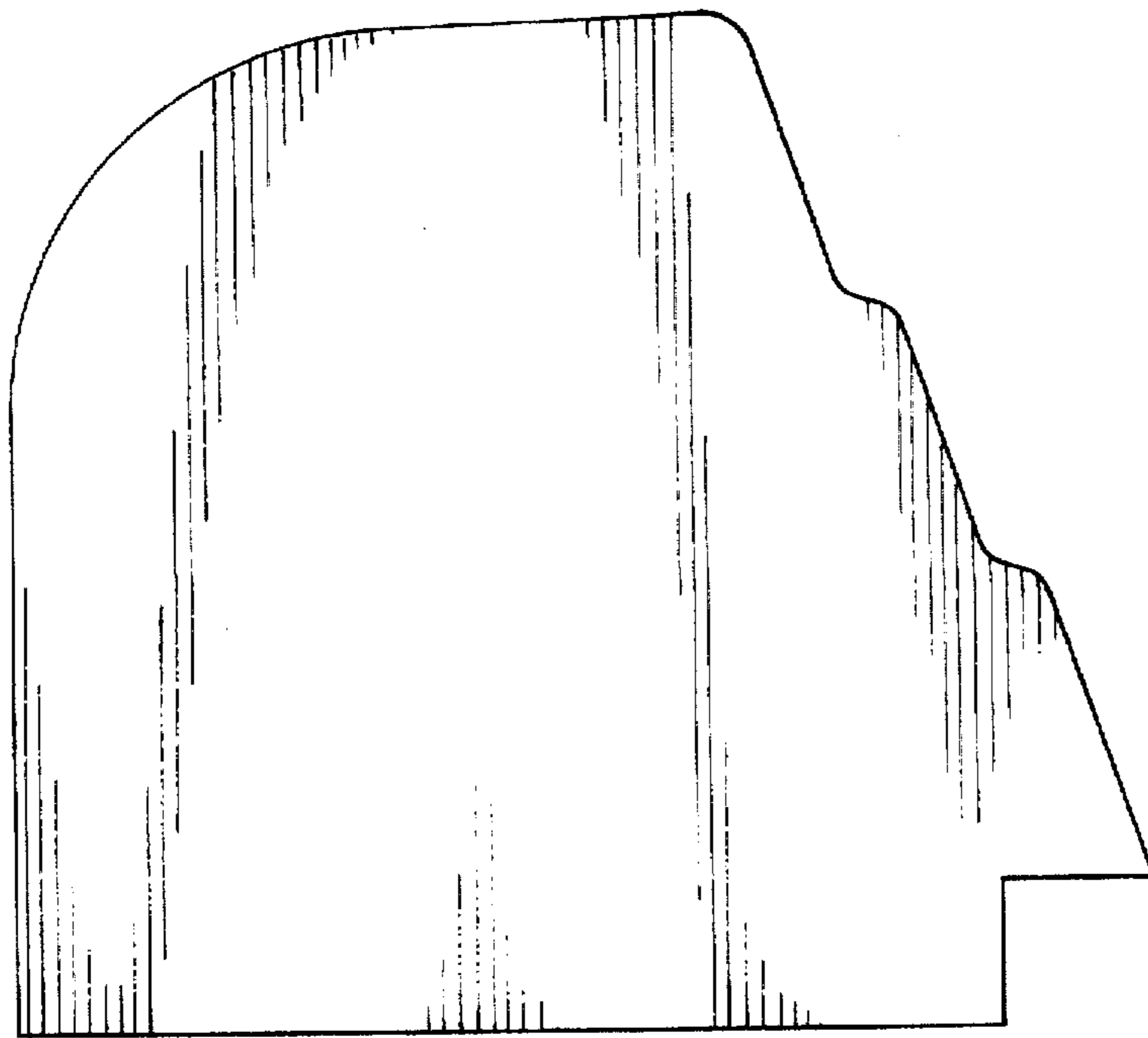


FIG. 6

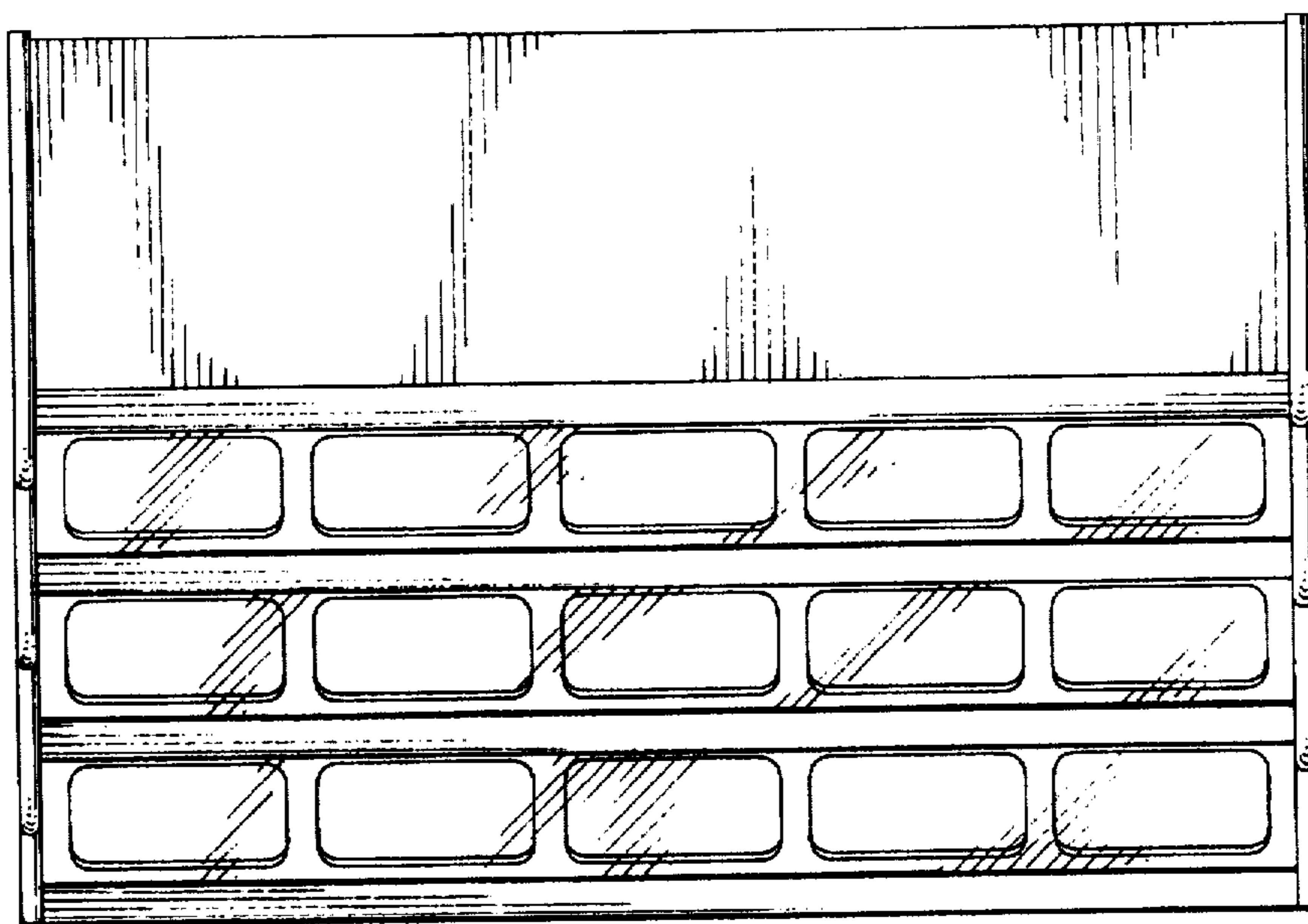


FIG. 7

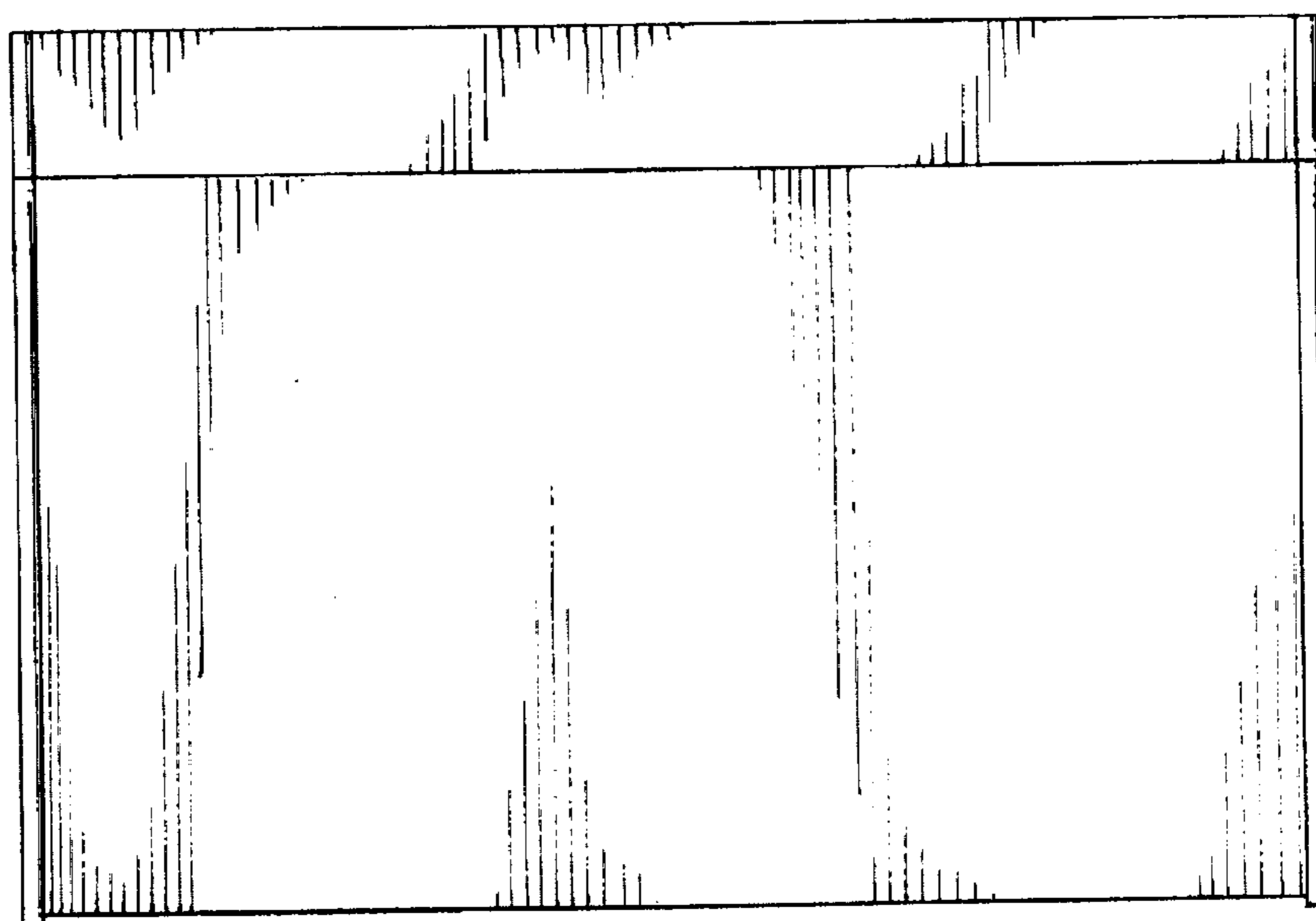


FIG. 8