



US00D384526S

United States Patent [19]

[11] Patent Number: Des. 384,526

Wagman

[45] Date of Patent: **Oct. 7, 1997

- [54] INTERCHANGEABLE WINDOW TREATMENT BRACKET KIT
- [76] Inventor: Elizabeth Wagman, P.O. Box 336, Madison, Pa. 15663
- [**] Term: 14 Years
- [21] Appl. No.: 49,800
- [22] Filed: Jan. 31, 1996
- [51] LOC (6) Cl. 06-04
- [52] U.S. Cl. D6/470; D6/396
- [58] Field of Search D9/414, 418, 341, D9/432; D6/470-472, 467, 561, 552, 563, 559, 573, 396, 397; D20/42, 10, 99; 312/114, 116, 118; 206/776-778, 338; D8/349, 354, 367

3,878,941	4/1975	Kelner	206/778 X
4,141,612	2/1979	Rowe	312/245
4,195,728	4/1980	Cardamone	206/778
5,306,049	4/1994	Schireck	206/579 X
5,358,101	10/1994	Lombardi	206/776

OTHER PUBLICATIONS

Hardware by Stanley Catalog Nov. 1979, p. 297, Rope Hooks and Cleats as Displayed 2nd from bottom.
 Hardware by Stanley Catalog Nov. 1979, p. 287 Hanging Plant Accessories as Displayed at top of page.

Primary Examiner—Jeffrey Asch
 Attorney, Agent, or Firm—Harold H. Dutton, Jr.; Diane F. Liebman

[57] CLAIM

The ornamental design for an interchangeable window treatment bracket kit, as shown and described.

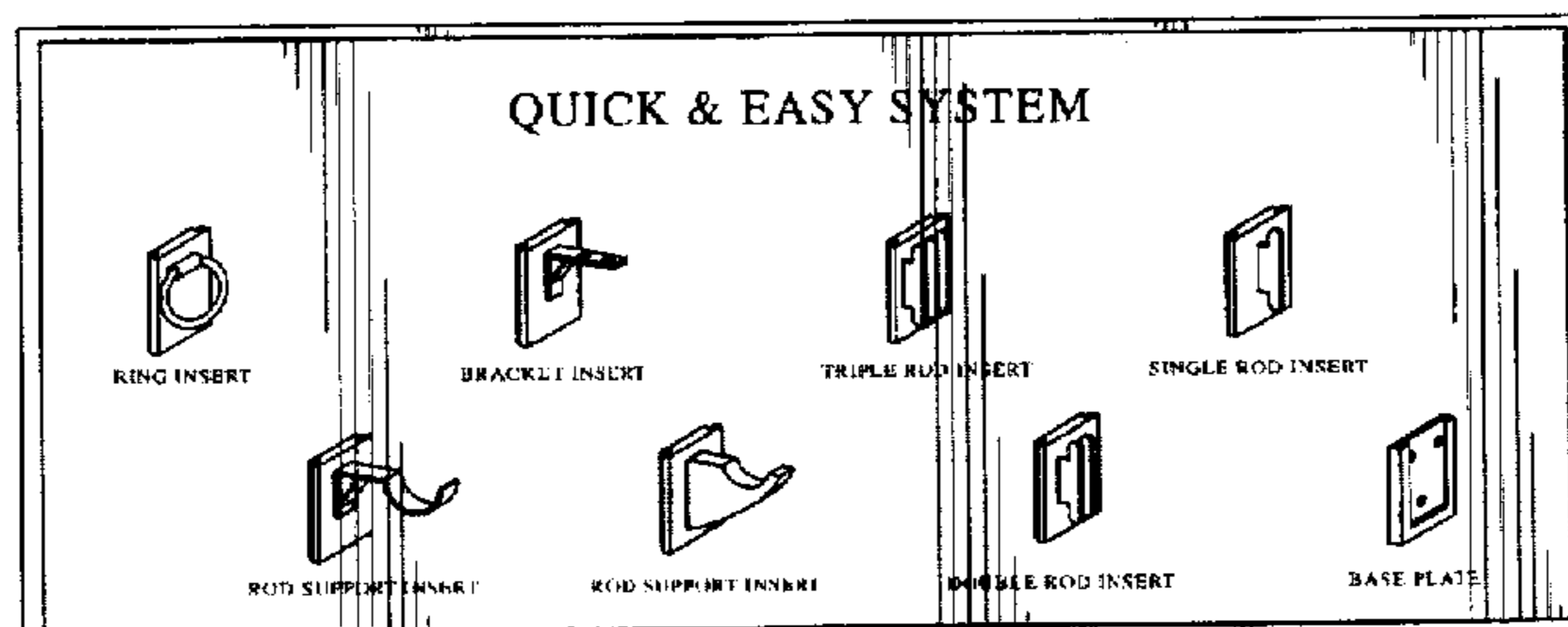
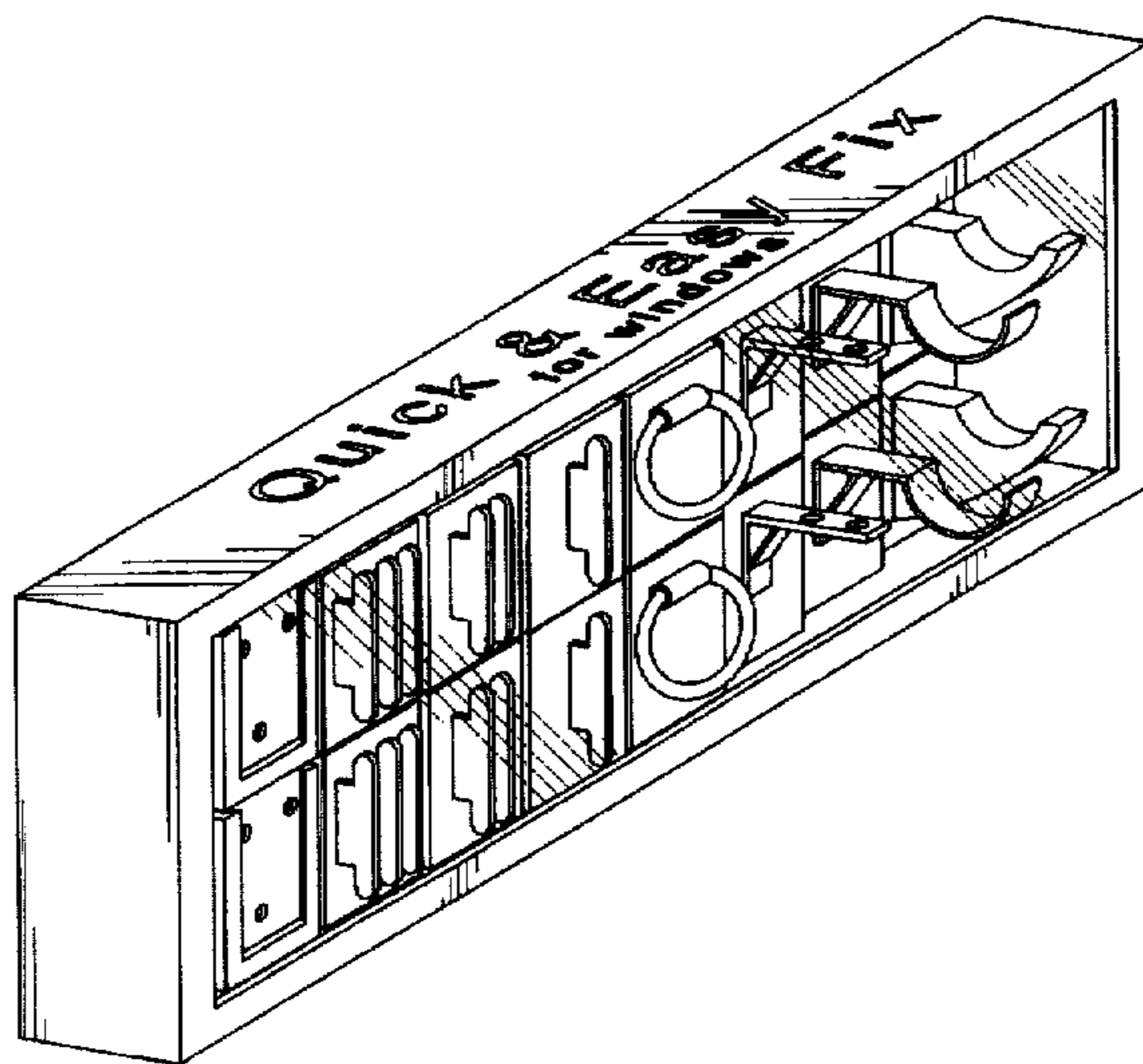
DESCRIPTION

FIG. 1 is a perspective view of a interchangeable window treatment bracket kit showing my new design;
 FIG. 2 is a rear view thereof;
 FIG. 3 is a top view thereof;
 FIG. 4 is a right end view thereof; and,
 FIG. 5 is an enlarged exploded perspective view showing the base plate and the fixture plate of one portion of the kit separately for convenience of illustration.

1 Claim, 4 Drawing Sheets

[56] References Cited
 U.S. PATENT DOCUMENTS

D. 207,512	4/1967	Gould	D9/418
D. 219,135	11/1970	Horblitt	D9/418
D. 228,122	8/1973	Shreve, III et al.	D9/418
D. 265,723	8/1982	Rosenthal	D9/418 X
D. 269,979	8/1983	Pakula	D20/42
D. 291,513	8/1987	Gingher	D6/467
D. 292,876	11/1987	Grunhut	D9/431 X
D. 342,892	1/1994	Teerds	D9/341
1,421,806	7/1922	Melvin	312/118



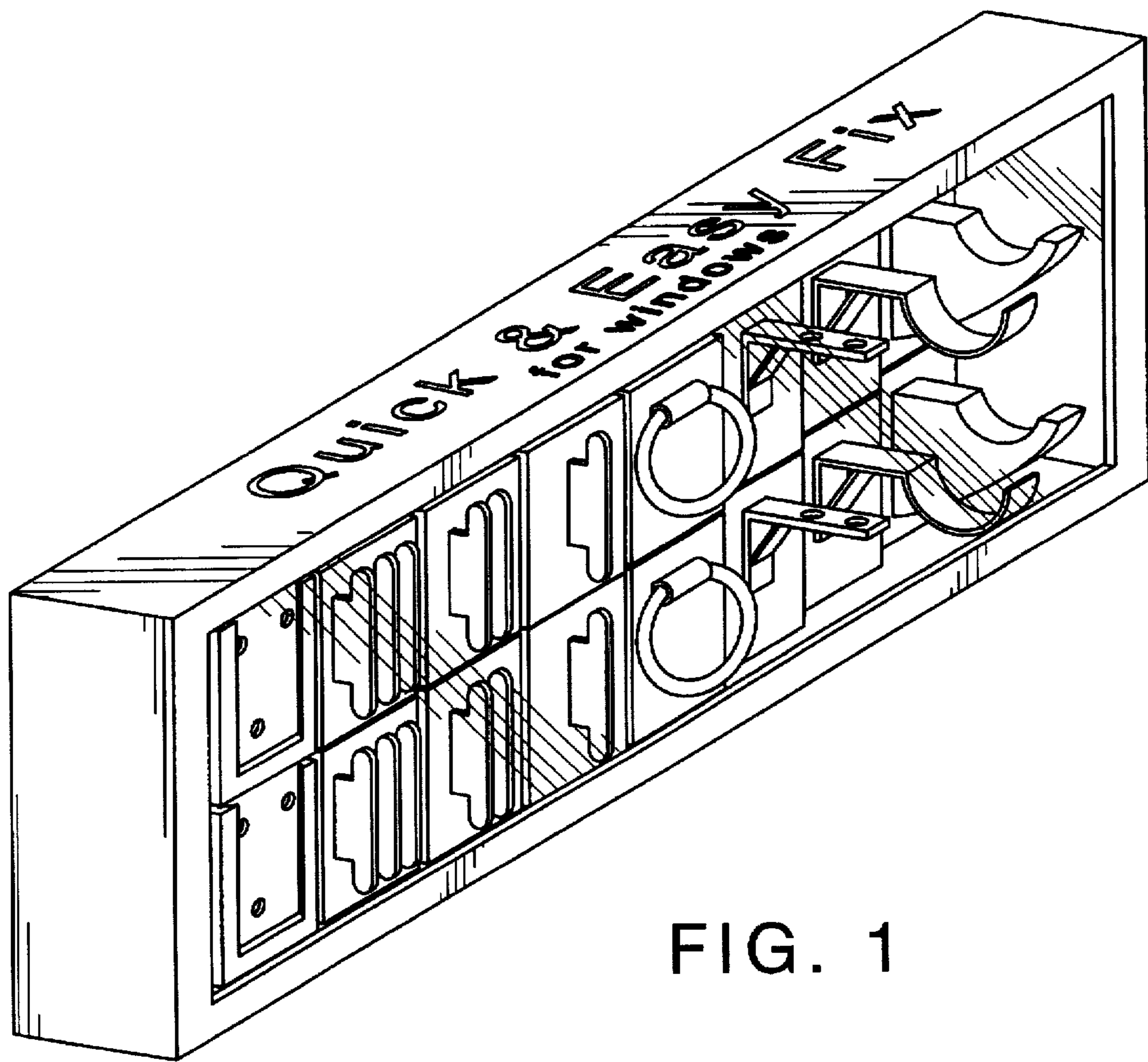


FIG. 1

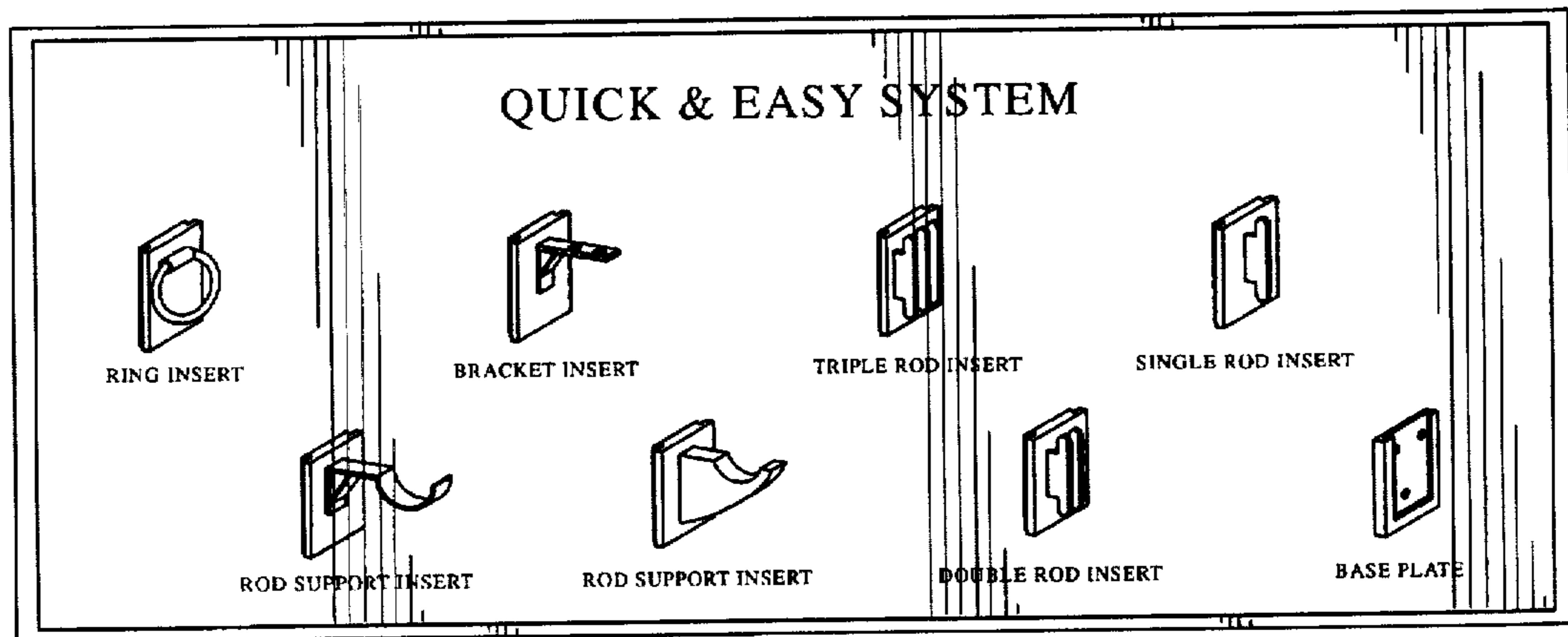


FIG. 2

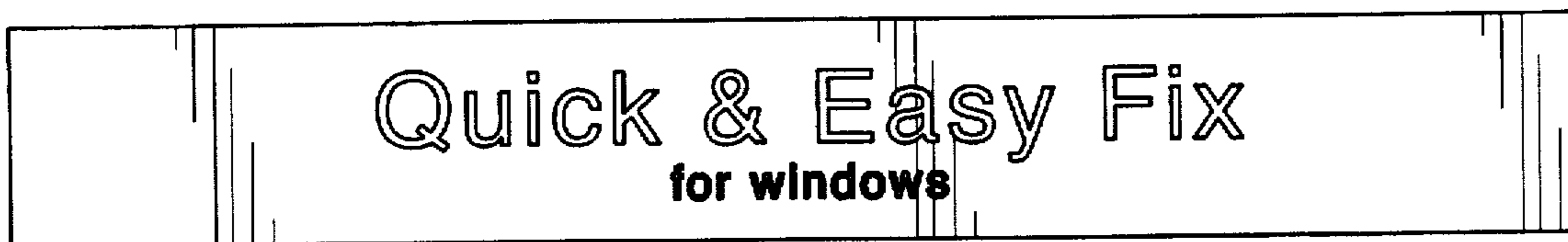


FIG. 3

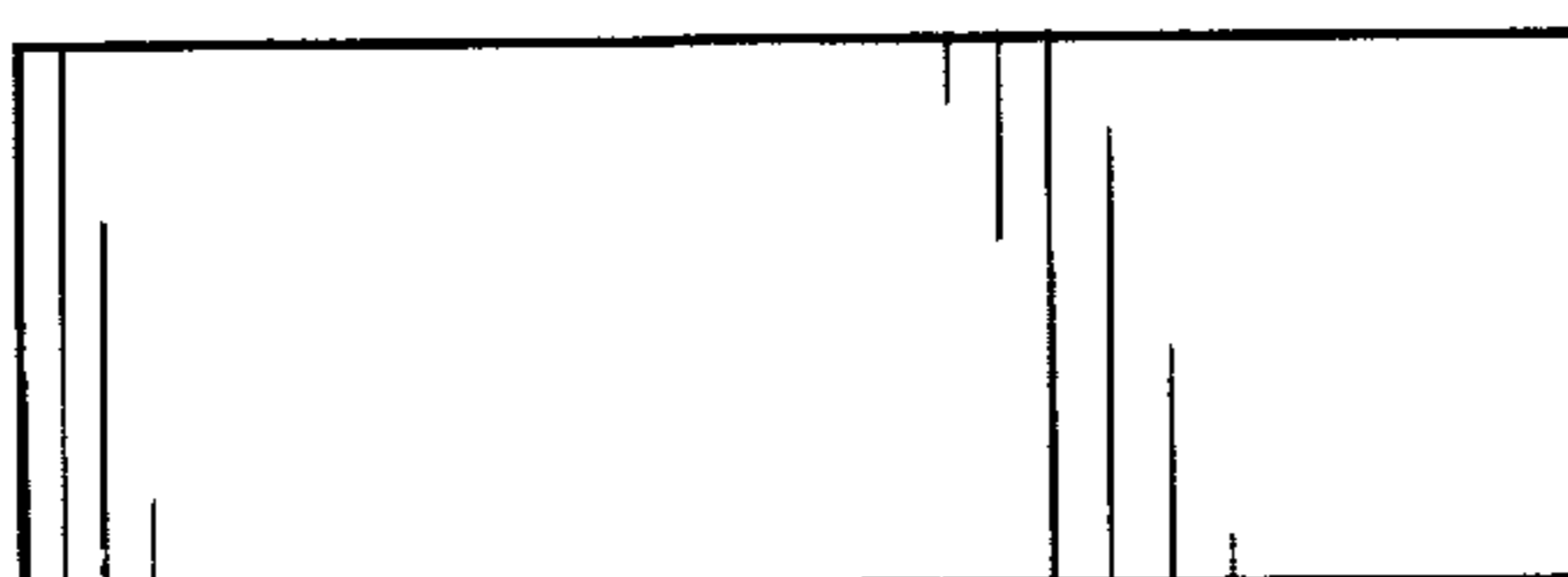


FIG. 4

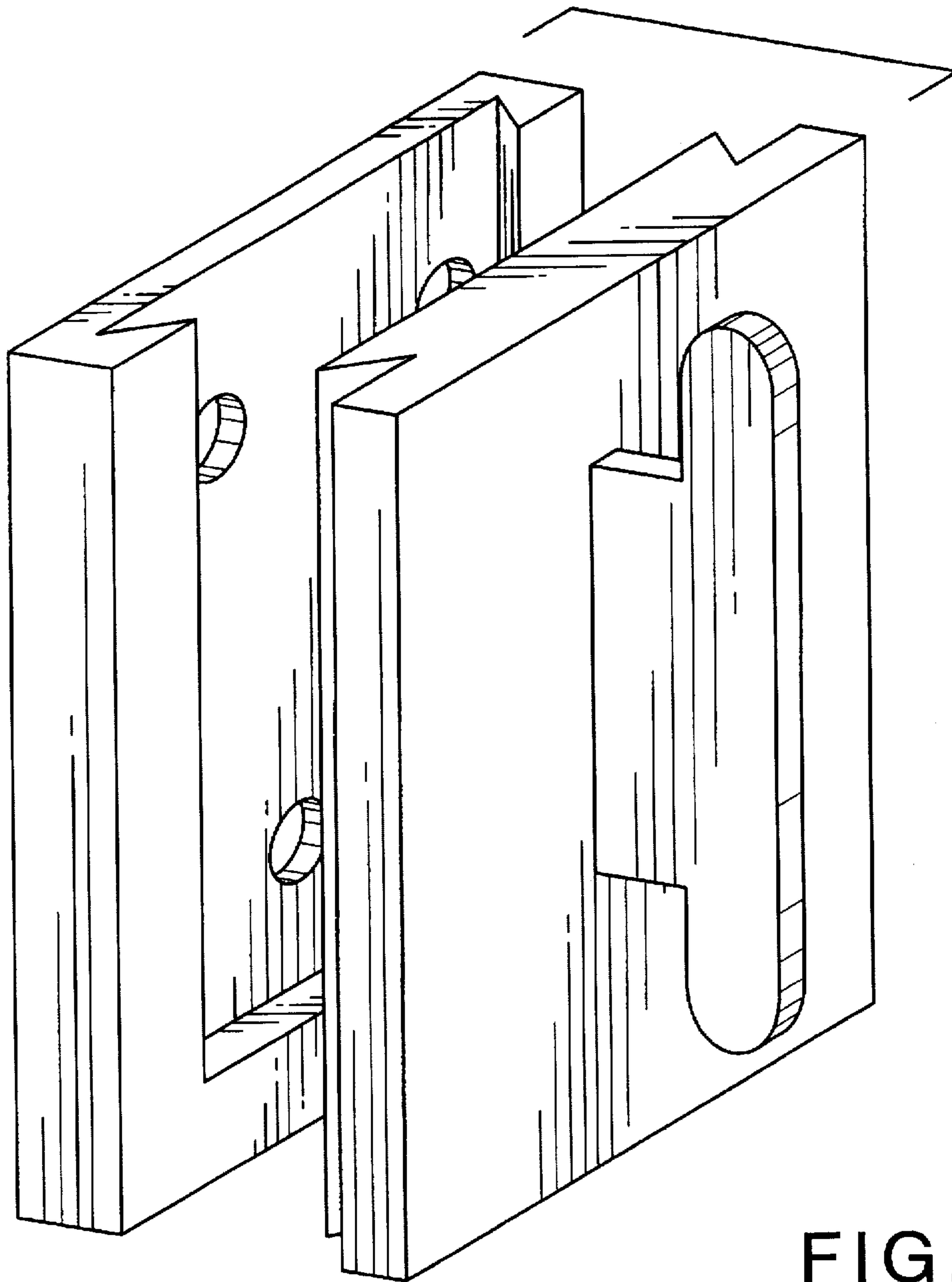


FIG. 5