



US00D384514S

United States Patent [19]

Pestone

[11] Patent Number: **Des. 384,514**

[45] Date of Patent: ****Oct. 7, 1997**

[54] **POWER TOOL STAND**

[75] Inventor: **William J. Pestone**, Cohasset, Mass.

[73] Assignee: **American Manufacturing Company, Inc.**, Allentown, Pa.

[**] Term: **14 Years**

[21] Appl. No.: **50,865**

[22] Filed: **Feb. 28, 1996**

[51] LOC (6) Cl. **06-03**

[52] U.S. Cl. **D6/400**

[58] Field of Search D6/396, 400, 349, D6/350, 352, 353, 449, 466, 467, 567, 569; 211/13, 70.6; 248/127, 163.1; D8/71

[56] **References Cited**

U.S. PATENT DOCUMENTS

- D. 276,861 12/1984 Keddie D6/349 X
- D. 279,238 6/1985 Ferdinand et al. D6/350
- D. 279,731 7/1985 Ferdinand et al. D6/352

- D. 295,001 4/1988 Ferdinand et al. D6/349 X
- D. 354,210 1/1995 Dickinson et al. D8/71
- D. 355,828 2/1995 Dickinson et al. D8/71
- D. 358,283 5/1995 Kelly D6/349 X
- D. 375,834 11/1996 Meisner et al. D8/71 X

Primary Examiner—Carmen H. Vales-Lado
Attorney, Agent, or Firm—Samuels, Gauthier, Stevens & Reppert

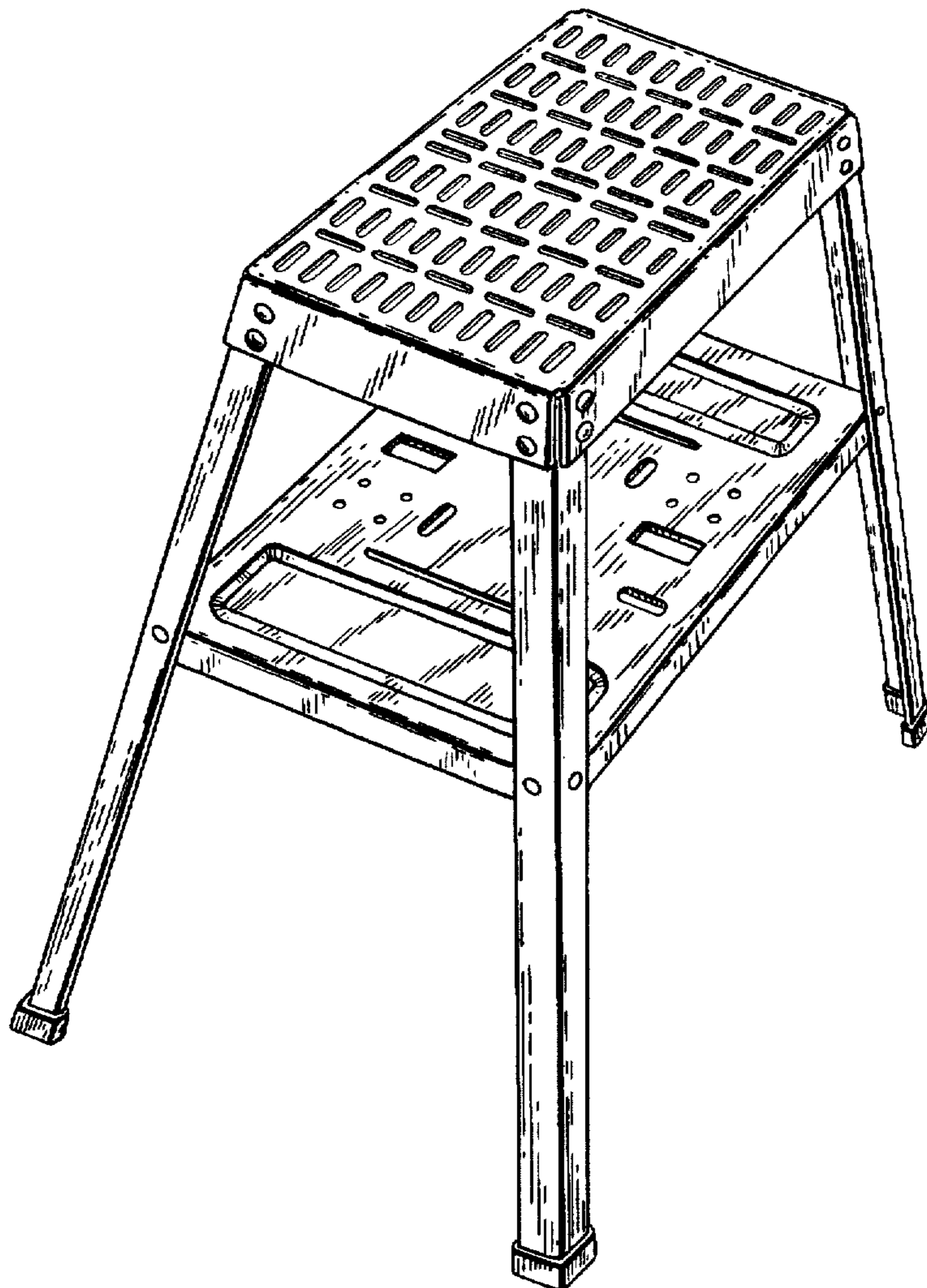
[57] **CLAIM**

The ornamental design for a power tool stand, as shown and described.

DESCRIPTION

FIG. 1 is a perspective view of a power tool stand showing my new design;
FIG. 2 is a top plan view thereof;
FIG. 3 is a front view, the rear view being identical;
FIG. 4 is a left side view, the right side view being identical; and,
FIG. 5 is a bottom plan view.

1 Claim, 3 Drawing Sheets



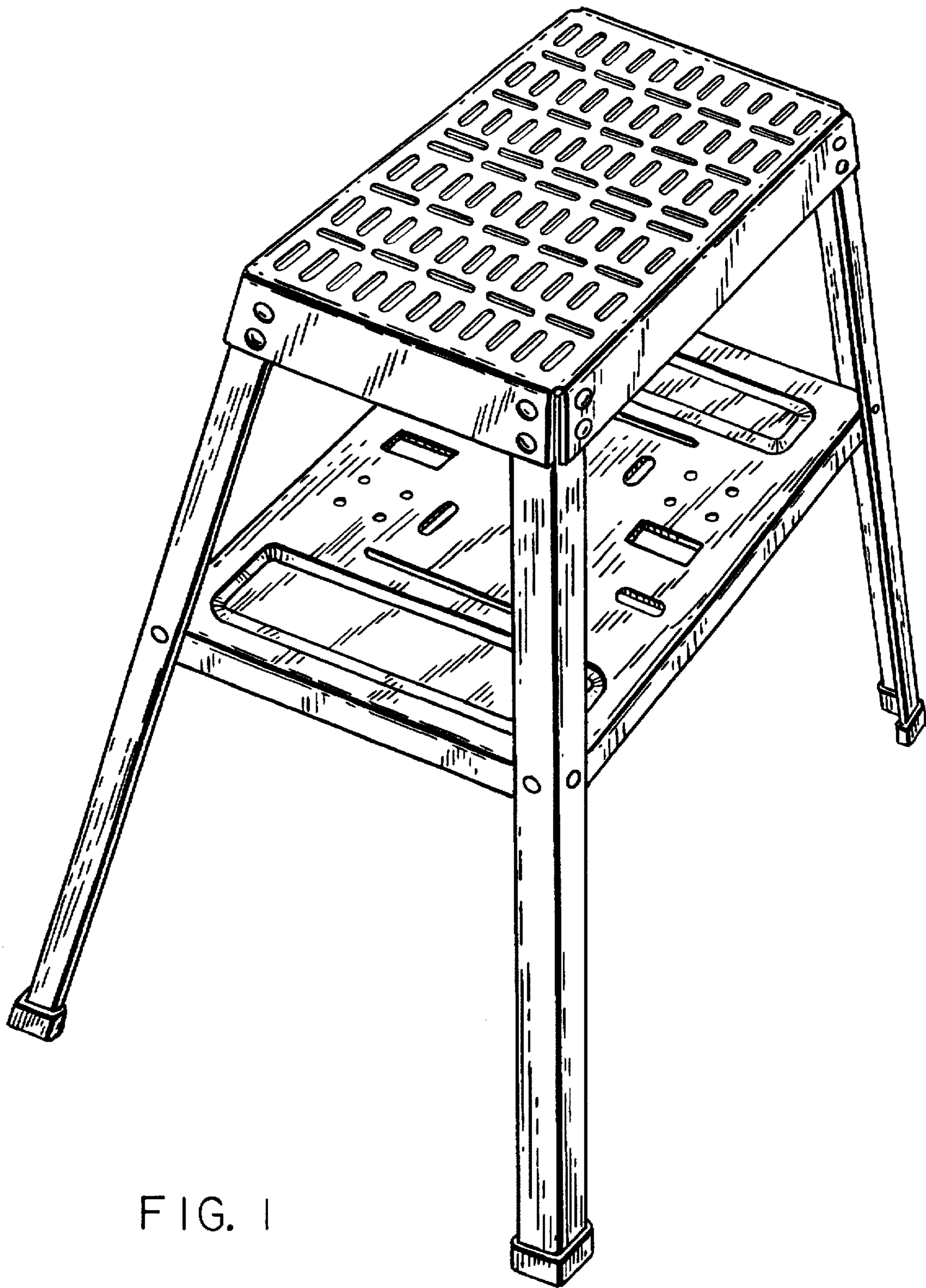


FIG. 1

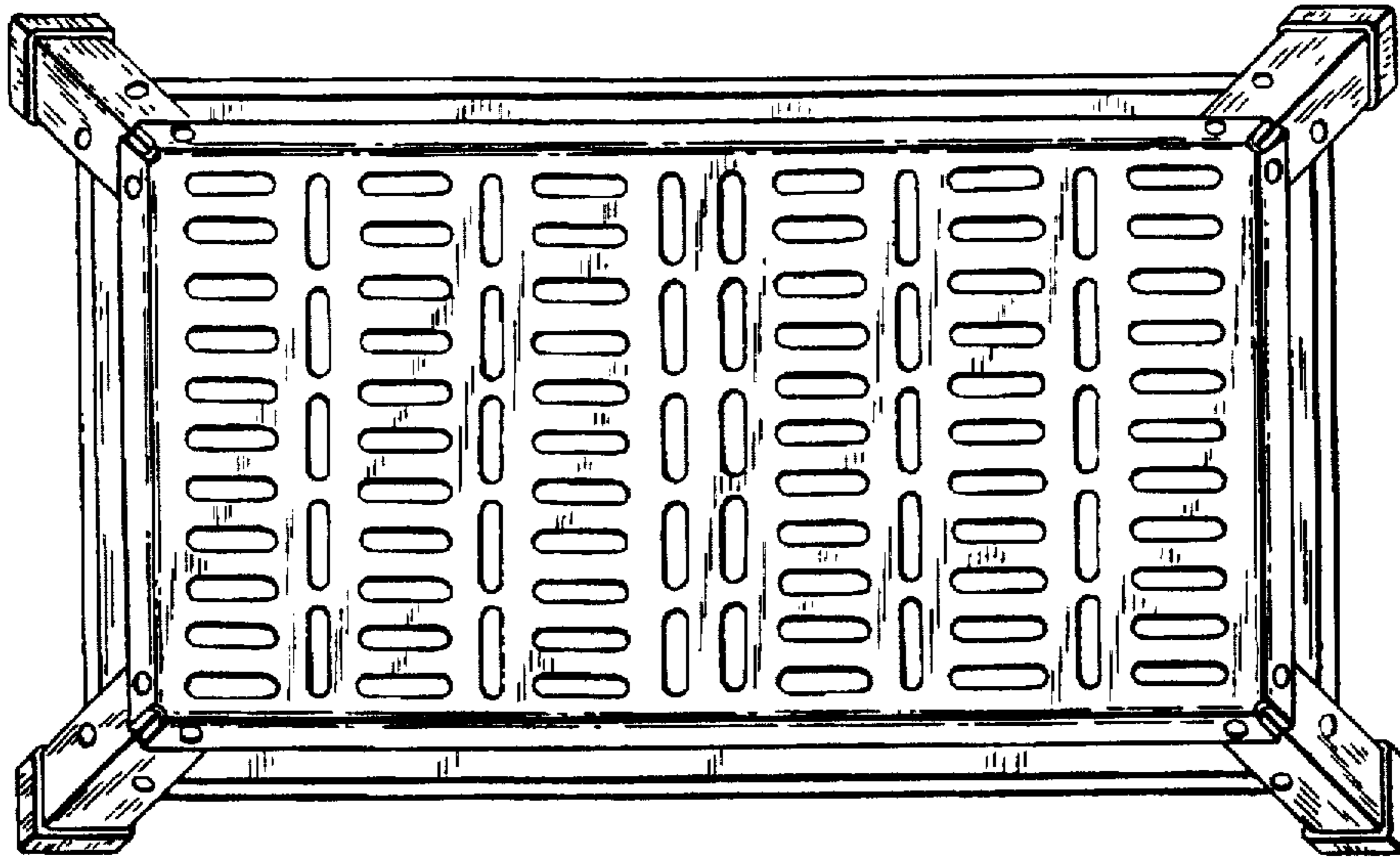


FIG. 2

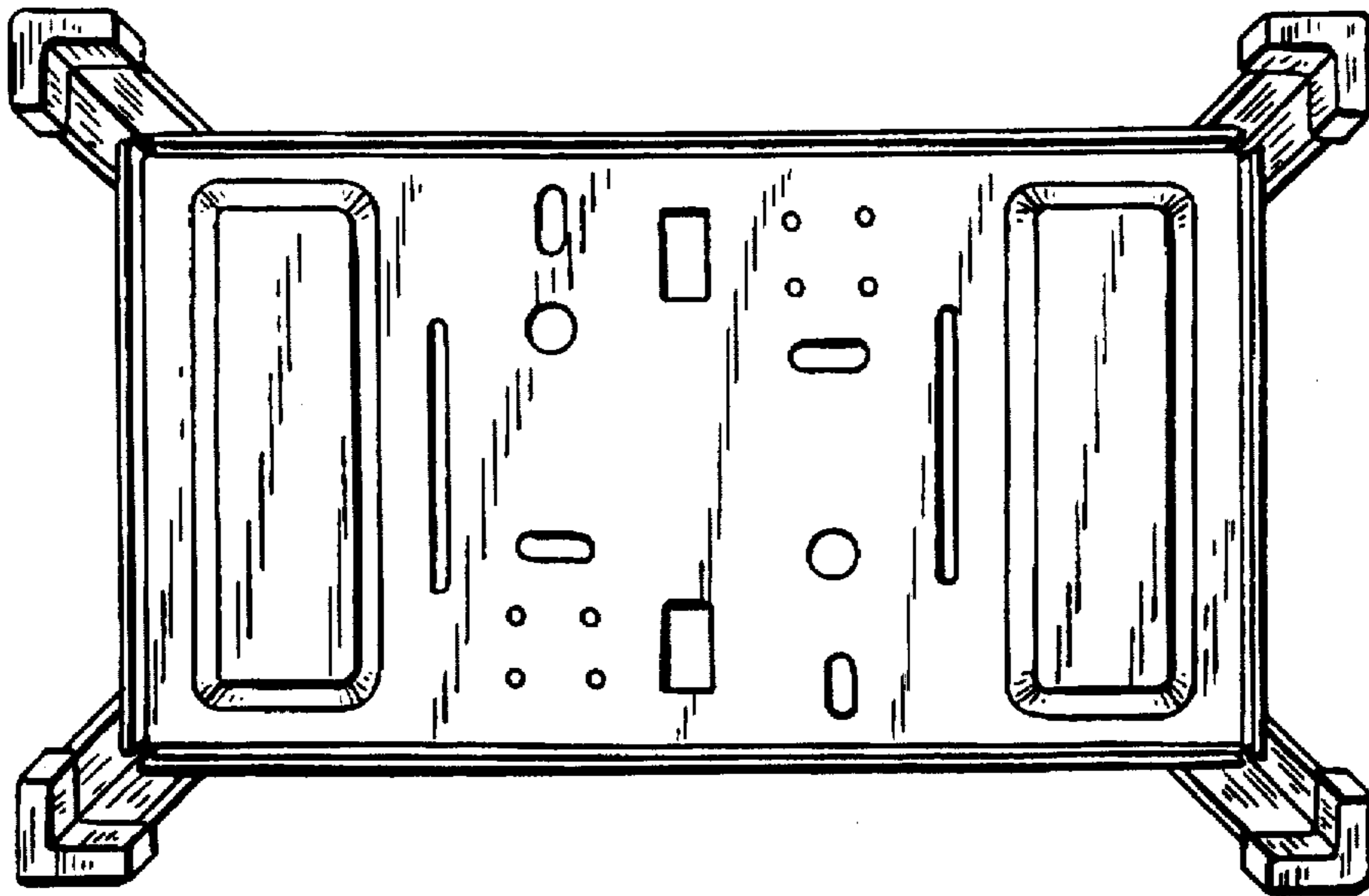


FIG. 5

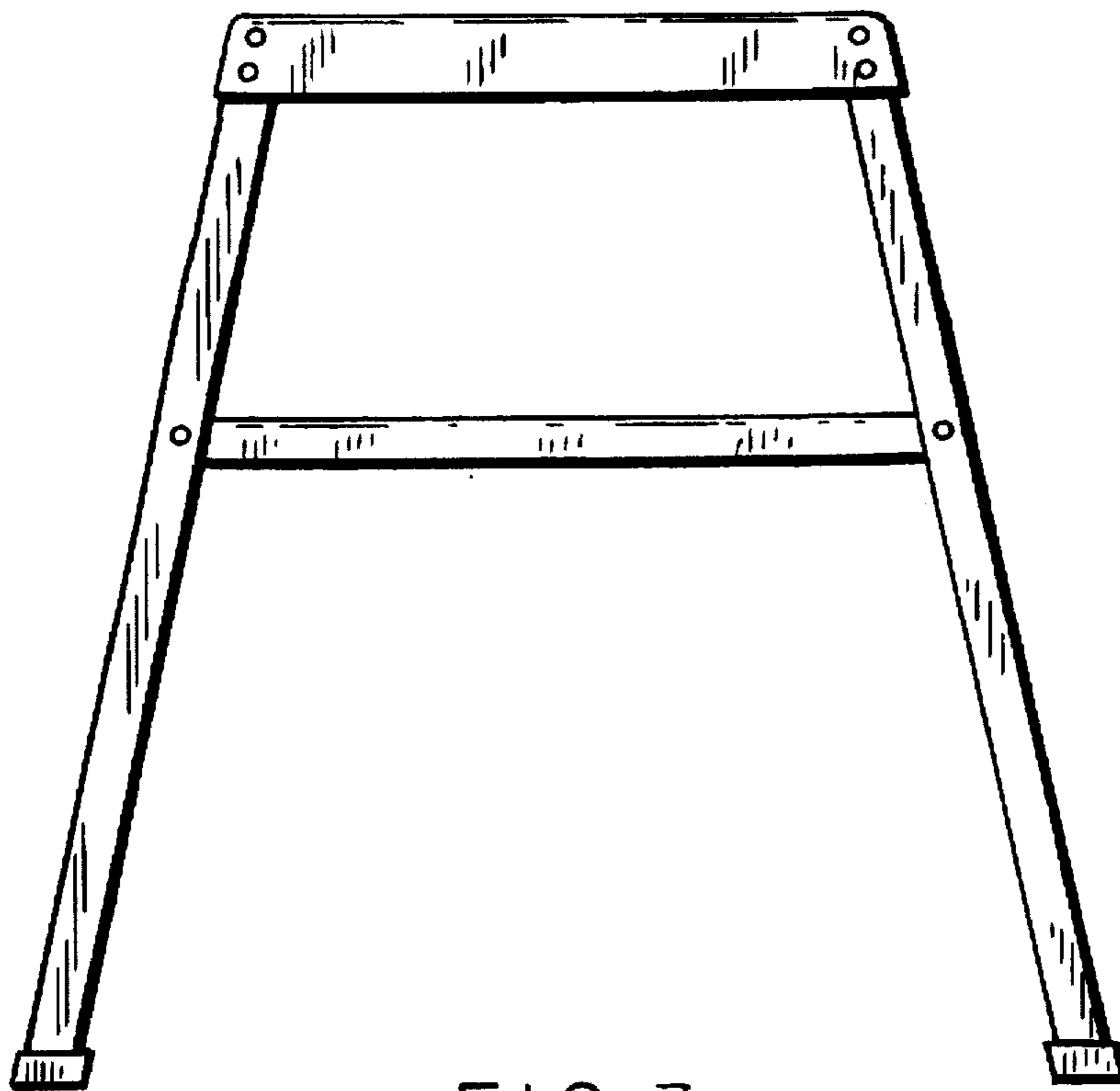


FIG. 3

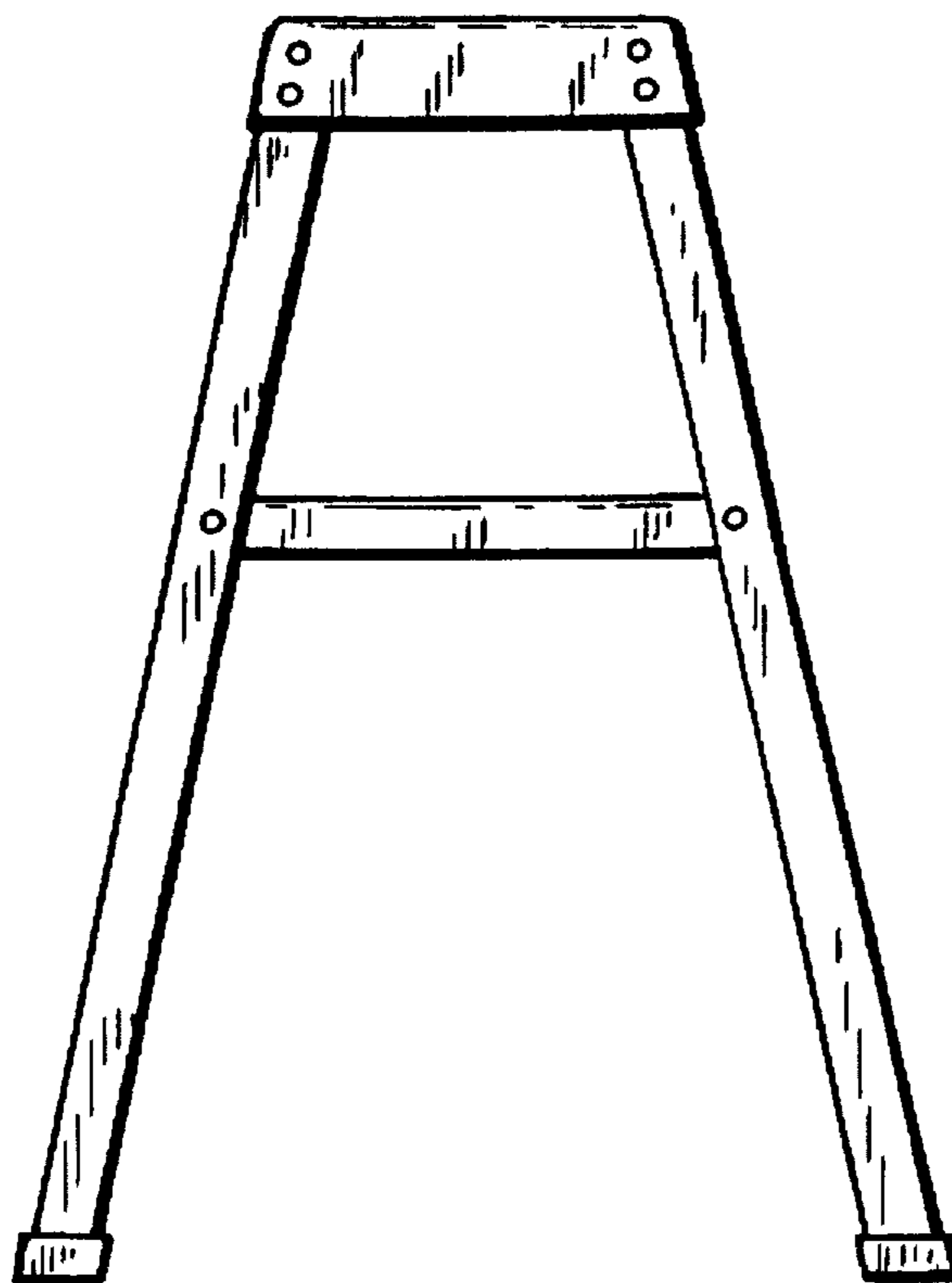


FIG. 4